

5 Port Mechanical Valve/Rubber Seal

Series **VFM300**

**Compact design,
Large flow capacity/Cv.1.0**

**High cycle rate,
Long life/300c.p.m.**

Piping possible to any EXH port.

Proper countermeasures can be taken for applications in which the fouling or the noise of the exhaust could cause problems to the surroundings.

External pilot model available. (Option)

Foot bracket and manifold mounting possible.



Specifications

Fluid	Air, Inert gas
Operating pressure	0.15 to 0.9MPa ⁽¹⁾
Ambient and fluid temperature	-5 to 60°C (No freezing)
Effective area (Cv)	18mm ² (1.0)
Maximum frequency (Mechanical operation style)	300 c.p.m or less
Lubrication	Not required/Turbine oil #1 (ISO VG32)
Port size (Nominal size)	Main valve-SUP, CYL port Rc(PT) 1/4 (8A), EXH port Rc(PT) 1/8(6A) Pilot valve (EXH)/M5 X 0.8
Option	Foot bracket ⁽²⁾
Weight (Basic)	260g



* Contact SMC for manifold mounting style.

Note 1) External pilot style Main valve: 0 to 0.9MPa
Pilot valve: 0.15 to 0.9MPa

Note 2) The standard body can not be retrofitted with a foot bracket.

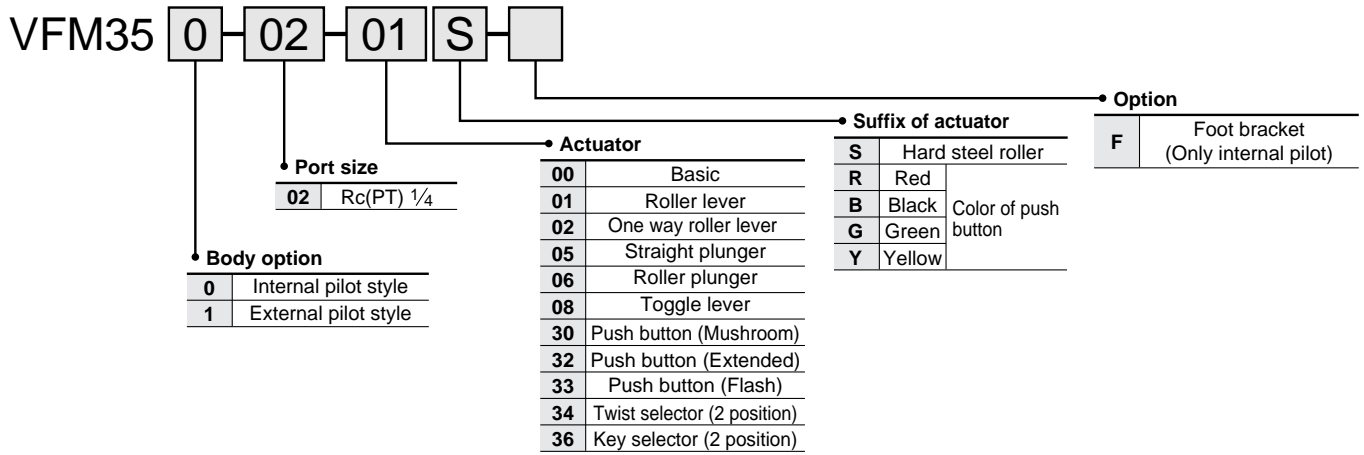
Model

	Actuator	Model	Actuator part No.	Application
Mechanical operation	Basic	VFM350-02-00	—	—
	Roller lever	VFM350-02-01	VM-01C	Polyacetal roller
		VFM350-02-01S	VM-01CS	Hard steel roller
	One way roller lever	VFM350-02-02	VM-02C	Polyacetal roller
		VFM350-02-02S	VM-02CS	Hard steel roller
	Straight plunger	VFM350-02-05	VM-05D	—
	Roller plunger	VFM350-02-06	VM-06D	Polyacetal roller
		VFM350-02-06S	VM-06DS	Hard steel roller
Toggle lever	VFM350-02-08	VM-08D	—	
Manual operation	Push button (Mushroom)	VFM350-02-30R	VM-30CR	Red
		VFM350-02-30B	VM-30CB	Black
		VFM350-02-30G	VM-30CG	Green
		VFM350-02-30Y	VM-30CY	Yellow
	Push button (Extended)	VFM350-02-32R	VM-32CR	Red
		VFM350-02-32B	VM-32CB	Black
		VFM350-02-32G	VM-32CG	Green
		VFM350-02-32Y	VM-32CY	Yellow
	Push button (Flush)	VFM350-02-33	VM-33C	With a set of red, black, green, yellow
	Twist selector (2 position)	VFM350-02-34R	VM-34CR	Red
		VFM350-02-34B	VM-34CB	Black
		VFM350-02-34G	VM-34CG	Green
		VFM350-02-34Y	VM-34CY	Yellow
	Key selector (2 position)	VFM350-02-36	VM-36C	—

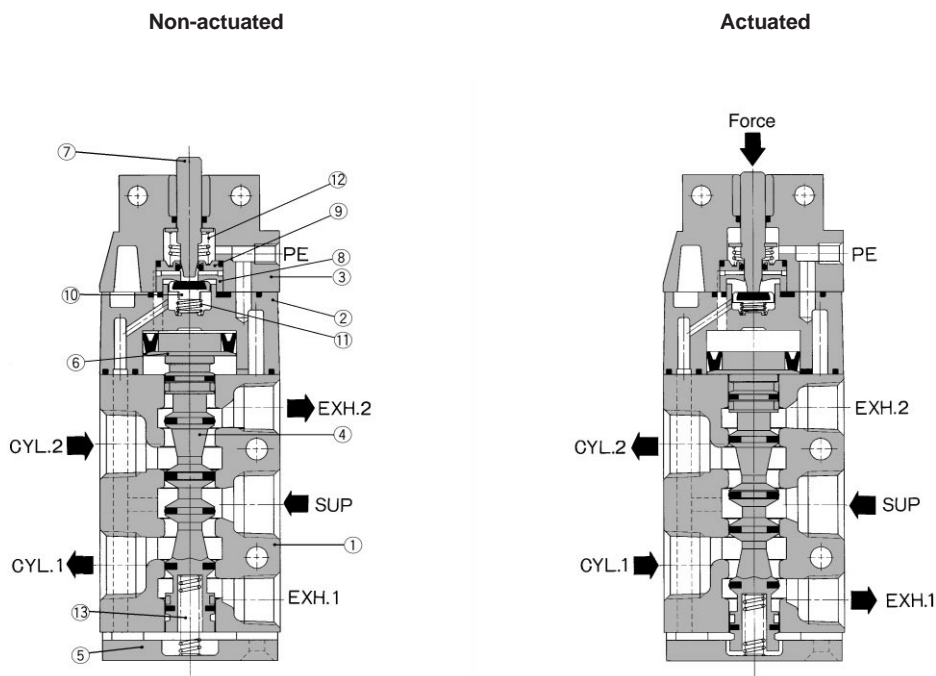


Note) Actuator replacement is available for all styles.

How to Order



Construction



Component Parts

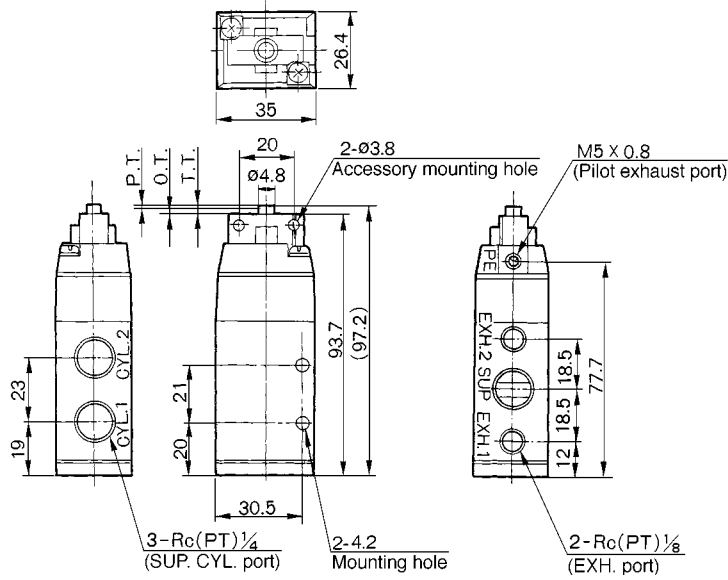
No.	Description	Material	Notes
①	Body	Aluminum alloy	Metallic plated
②	Pilot body	Zinc alloy	Metallic plated
③	Head cover	Zinc alloy	Black zinc chromate
④	Spool valve assembly		
⑤	End cover	Aluminum alloy	Metallic plated
⑥	Piston	Polyacetal	
⑦	Plunger	Stainless steel	

No.	Description	Material	Notes
⑧	Valve seat (A)	Brass	
⑨	Valve seat (B)	Brass	
⑩	Valve	Brass, NBR	
⑪	Valve spring	Stainless steel	
⑫	Return spring	Stainless steel	
⑬	Spool spring	Stainless steel	

VFM300

Series VFM300

Basic/VFM350-02-00



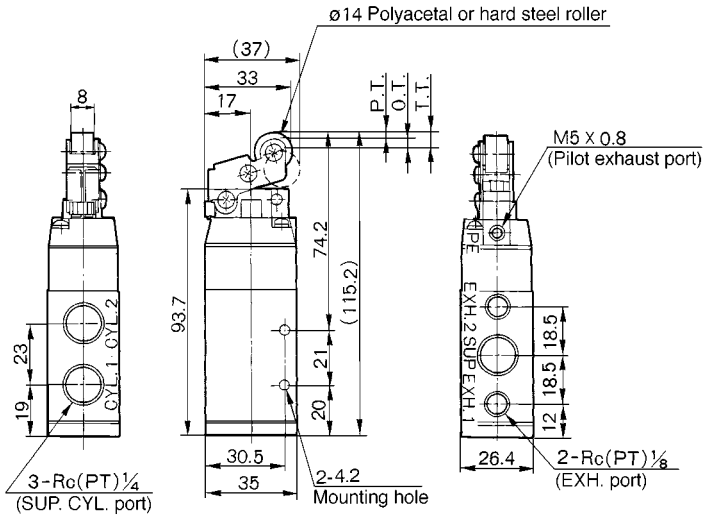
JIS Symbol



* 0.5MPa supply

F.O.F.*	16N
P.T.	1mm
O.T.	2mm
T.T.	3mm

Roller Lever/VFM350-02-01, VFM350-02-01S



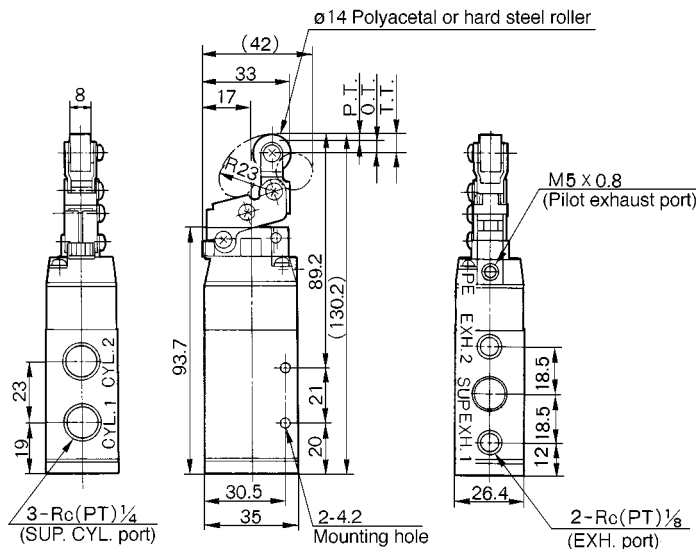
JIS Symbol



* 0.5MPa supply

F.O.F.*	8N
P.T.	2.2mm
O.T.	4mm
T.T.	6.2mm

One Way Roller Lever/VFM350-02-02, VFM350-02-02S



JIS Symbol

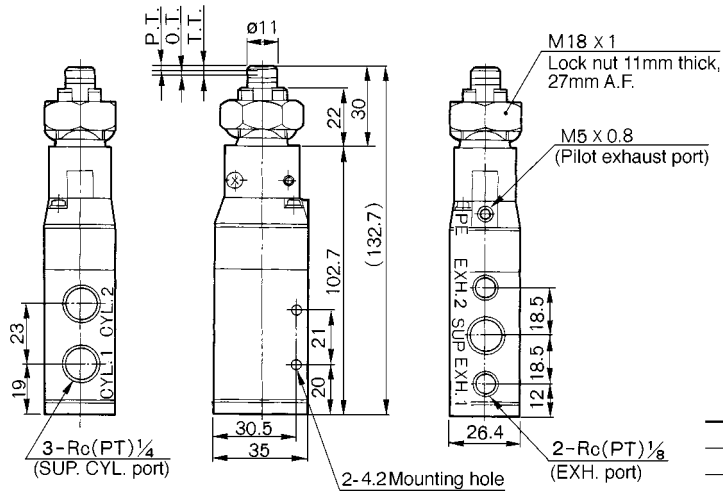


* 0.5MPa supply

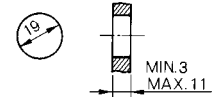
F.O.F.*	7N
P.T.	2.4mm
O.T.	4.6mm
T.T.	7mm

Series VFM300

Straight Plunger/VFM350-02-05



Panel mounted hole



JIS Symbol



* 0.5MPa supply

F.O.F.*	20N
P.T.	1.5mm
O.T.	2mm
T.T.	3.5mm

S□A

V□A

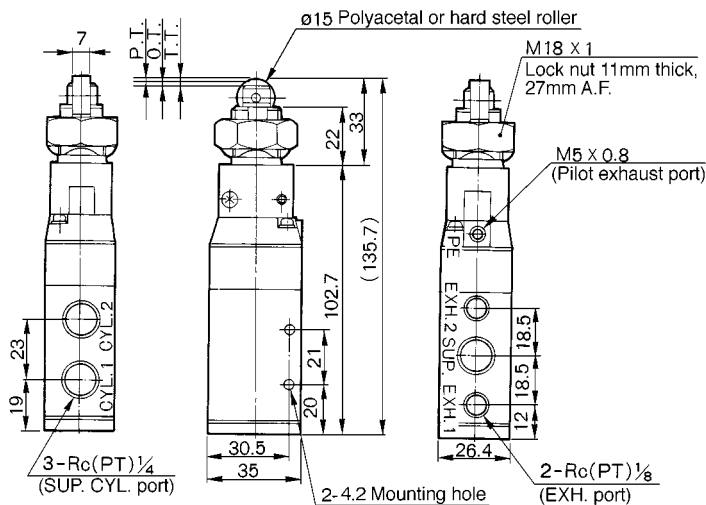
S□A

V□A

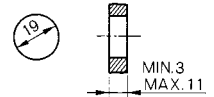
VM/VR

VH

Roller Plunger/VFM350-02-06, VFM350-02-06S



Panel mounted hole



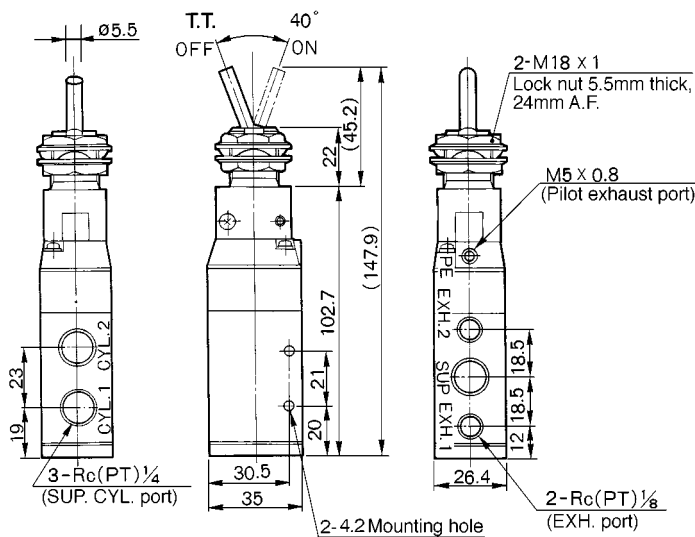
JIS Symbol



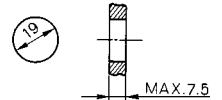
* 0.5MPa supply

F.O.F.*	20N
P.T.	1.5mm
O.T.	2mm
T.T.	3.5mm

Toggle Lever/VFM350-02-08



Panel mounted hole



JIS Symbol



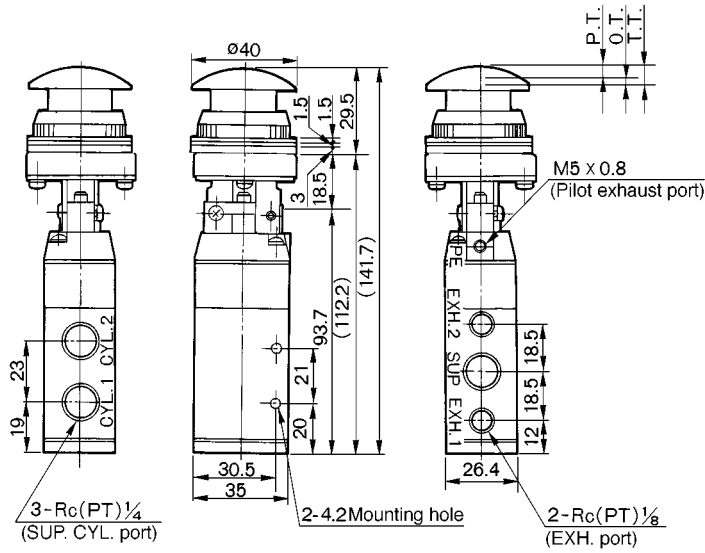
* 0.5MPa supply

F.O.F.*	15N
T.T.	40°

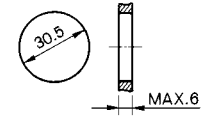
VFM300

Series VFM300

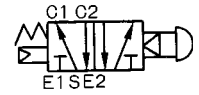
Push Button (Mushroom)/VFM350-02-30R, B, G, Y



Panel mounted hole



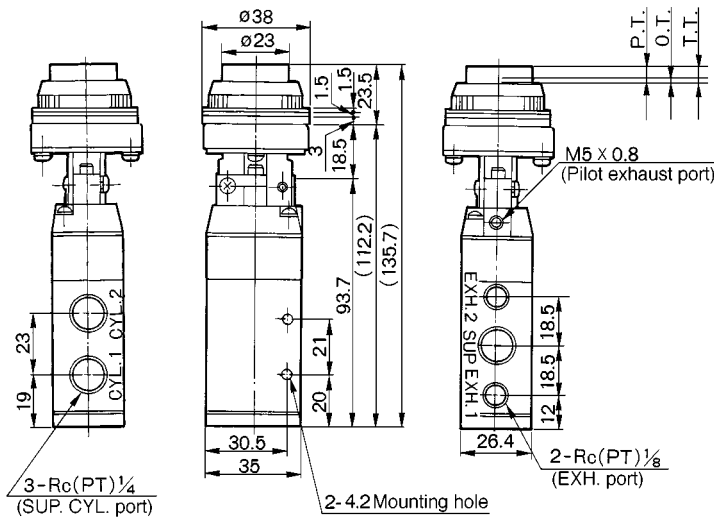
JIS Symbol



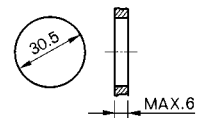
* 0.5MPa supply

F.O.F.*	21N
P.T.	4.8mm
O.T.	1.7mm
T.T.	6.5mm

Push Button (Extended)/VFM350-02-32R, B, G, Y



Panel mounted hole



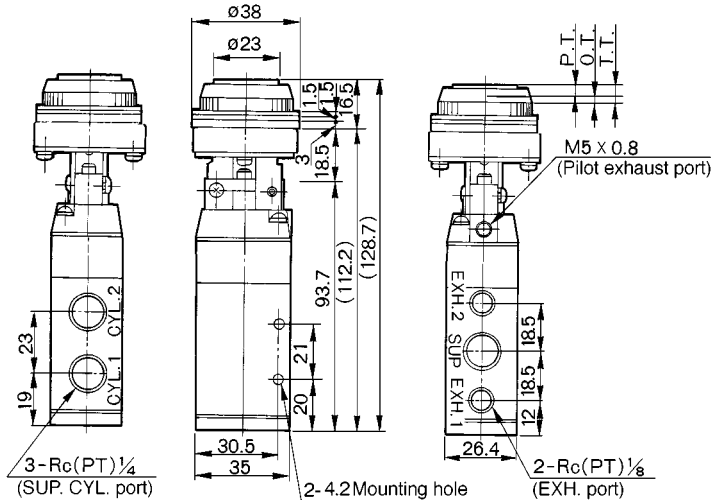
JIS Symbol



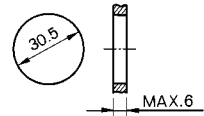
* 0.5MPa supply

F.O.F.*	21N
P.T.	4.8mm
O.T.	1.7mm
T.T.	6.5mm

Push Button (Flush)/VFM350-02-33



Panel mounted hole



JIS Symbol

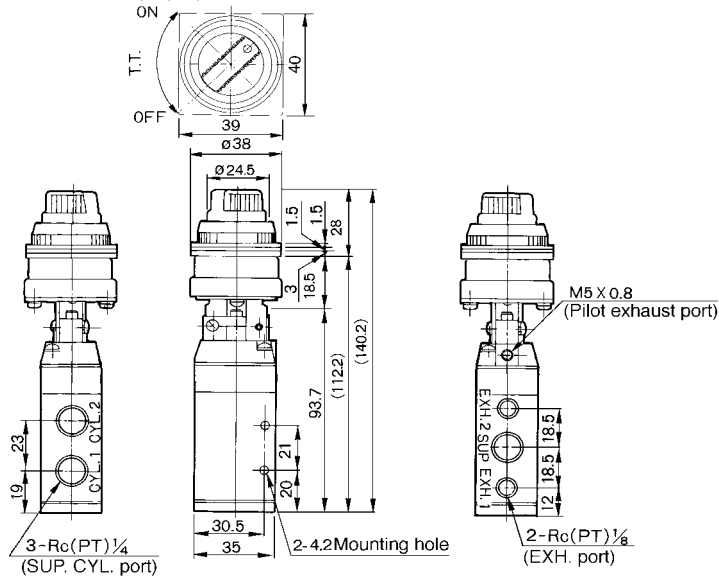


* 0.5MPa supply

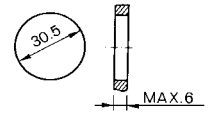
F.O.F.*	21N
P.T.	4.8mm
O.T.	1.7mm
T.T.	6.5mm

Series VFM300

Twist Selector (2 position)/VFM350-02-34R, B, G, Y



Panel mounted hole



JIS Symbol



* 0.5MPa supply

F.O.F.*	23N
T.T.	90°

S□A

V□A

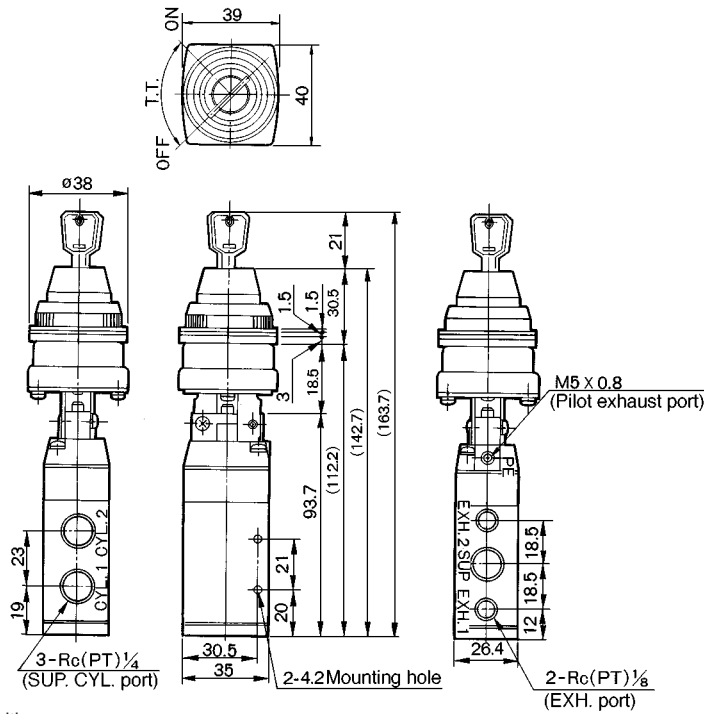
S□A

V□A

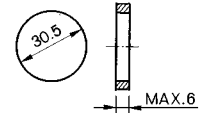
VMVR

VH

Key Selector (2 position)/VFM350-02-36



Panel mounted hole



JIS Symbol

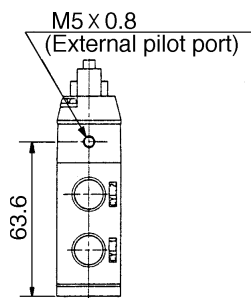


* 0.5MPa supply

F.O.F.*	26N
T.T.	90°

Key can be removed in "on" and "off" positions.

External Pilot Style VFM351 Type



With Foot Bracket VFM350-02-□□-F

