

Series VFR3000

Manifold Specifications

Manifold Specifications

Base mounted	Wiring	Porting specifications		Port size		Stations	Applicable valve model
		A, B port	P, EA, EB	A, B	A, B		
Plug-in type VV5FR3-01□	<ul style="list-style-type: none"> With terminal block With multi-connector With D-sub connector 	Side/Bottom	Note) 1/2	1/4, 3/8 C8, C10	A, B	2 to 10	VFR3□00-□F
Non plug-in type VV5FR3-10	<ul style="list-style-type: none"> Grommet terminal DIN terminal 					2 to 8	
Non plug-in type VV5FR3-40	<ul style="list-style-type: none"> Grommet Grommet terminal Conduit terminal DIN terminal 					2 to 10	VFR3□1□-□E VFR3□1□-□D VFR3□4□-□G VFR3□4□-□E VFR3□4□-□T VFR3□4□-□D

Note) If silencer is mounted to EA/EB port, use silencer "AN403-04" (O.D. ø27).

How to Order Manifold Assembly

<Example> Plug-in type with terminal block: 6 stations

VV5FR3-01T-061-02..... 1 set (Manifold base part no.)
 *VFR3100-5FZ..... 3 sets (2 position single part no.)
 *VFR3200-5FZ..... 2 sets (2 position double part no.)
 *VVFS3000-10A..... 1 set (Blanking plate)

The asterisk denotes the symbol for assembly. Prefix it to the part nos. of the solenoid valve, etc.

Valve arrangement is counted from the D side. When ordering, specify the part nos. in order from the 1st. station in the D side. When entry of part numbers becomes complicated, indicate on the manifold specification sheet.

<Example> Non plug-in type: 6 stations

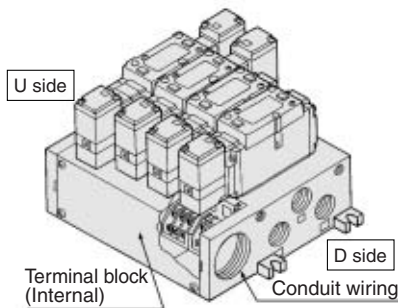
VV5FR3-10-061-03..... 1 set (Manifold base part no.)
 *VFR3110-5D..... 5 sets (2 position single part no.)
 *VFR3410-5D..... 1 set (3 position exhaust center part no.)
 *VVF3000-R-03-2..... 1 set (Individual EXH spacer part no.)

The asterisk denotes the symbol for assembly. Prefix it to the part nos. of the solenoid valve, etc.

Valve arrangement is counted from the D side. When ordering, specify the part nos. in order from the 1st. station in the D side. When entry of part numbers becomes complicated, indicate on the manifold specification sheet.

Plug-in Type: With Terminal Block

- Since lead wires of solenoid valve are connected with the terminals on upper surface of terminal block, corresponding lead wires from power source can be wired at the bottom of terminal block.



VV5FR3 - 01T - 06 1 - 02 □

Series VFR3000
Manifold
Plug-in type with
terminal block

Stations	
02	2 stations
⋮	⋮
10	10 stations

Symbol	Passage		Porting specifications (A, B)
	P	EA, EB	
1	Common	Common	Side
2			Bottom *

* Option

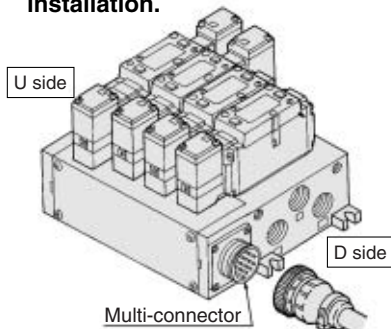
Symbol	P, EA, EB	A, B *	
		1/4	3/8
02	1/2	1/4	
03		3/8	
C8		One-touch fitting for ø8	
C10		One-touch fitting for ø10	
M		Mixed	

Thread type	
Nil	Rc
F	G
N	NPT
T	NPTF

* For bottom ported: Rc 1/4, 3/8 only.

Plug-in Type: With Multi-connector (For wiring specifications, refer to page 3-5-8.)

- Master connection of power and solenoid valves.
- Quick wiring permits ease of installation.



VV5FR3 - 01C D - 05 1 - 02 □

Series VFR3000
Manifold
Plug-in type with
multi-connector

Connector mounting direction	
D	D side mounting
U	U side mounting

Stations	
02	2 stations
⋮	⋮
08*	8 stations

* Max: 8 stations

Symbol	Passage		Porting specifications (A, B)
	P	EA, EB	
1	Common	Common	Side
2			Bottom *

* Option

Symbol	P, EA, EB	A, B *	
		1/4	3/8
02	1/2	1/4	
03		3/8	
C8		One-touch fitting for ø8	
C10		One-touch fitting for ø10	
M		Mixed	

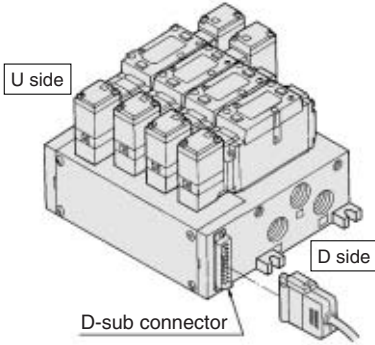
* For bottom ported: Rc 1/4, 3/8 only.

- VK
- VZ
- VF
- VFR
- VP4
- VZS
- VFS
- VS4
- VQ7
- EVS
- VFN

Series VFR3000

Plug-in Type: With D-sub Connector (For wiring specifications, refer to page 3-5-8.)

- Wide range of interchangeability (25 pin D-sub connector conforms to MIL standard)
- Quick wiring permits easier installation.



VV5FR3 - 01F D-06 1-02

Series VFR3000 Manifold
Plug-in type with D-sub connector

Connector mounting direction

D	D side mounting
U	U side mounting

Stations

02	2 stations
⋮	⋮
08*	8 stations
⊕	* Max: 8 stations

Symbol

Symbol	Passage		Porting specifications (A, B)
	P	EA, EB	
1	Common	Common	Side
2			Bottom *

* Option

Port size

Symbol	P, EA, EB	A, B *
02		1/4
03		3/8
C8	1/2	One-touch fitting for ø8
C10		One-touch fitting for ø10
M		Mixed

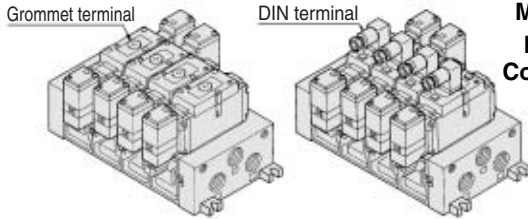
* For bottom ported: Rc 1/4, 3/8 only.

Thread type

Nil	Rc
F	G
N	NPT
T	NPTF

Non Plug-in Type: Grommet Terminal, DIN Terminal (Common electrical entry)

- Individual wiring for every valve



VV5FR3 - 10-05 1-02

Series VFR3000 Manifold
Non plug-in type Common electrical entry

Stations

02	2 stations
⋮	⋮
10	10 stations

Symbol

Symbol	Passage		Porting specifications (A, B)
	P	EA, EB	
1	Common	Common	Side
2			Bottom *

* Option

Port size

Symbol	P, EA, EB	A, B *
02		1/4
03		3/8
C8	1/2	One-touch fitting for ø8
C10		One-touch fitting for ø10
M		Mixed

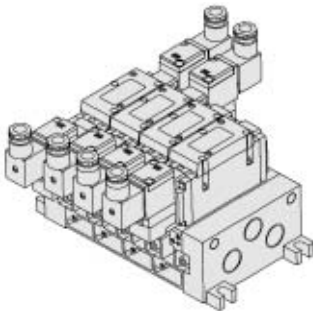
* For bottom ported: Rc 1/4, 3/8 only.

Thread type

Nil	Rc
F	G
N	NPT
T	NPTF

Non Plug-in Type: Grommet, Grommet Terminal, Conduit Terminal, DIN Terminal (Individual electrical entry)

- Individual wiring for every valve



VV5FR3 - 40-05 1-02

Series VFR3000 Manifold
Non plug-in type Individual electrical entry

Stations

02	2 stations
⋮	⋮
10	10 stations

Symbol

Symbol	Passage		Porting specifications (A, B)
	P	EA, EB	
1	Common	Common	Side
2			Bottom *

* Option

Port size

Symbol	P, EA, EB	A, B *
02		1/4
03		3/8
C8	1/2	One-touch fitting for ø8
C10		One-touch fitting for ø10
M		Mixed

* For bottom ported: Rc 1/4, 3/8 only.

Thread type

Nil	Rc
F	G
N	NPT
T	NPTF

Note) Manifold base is in common with "VV5FR3-10".

Note) Manifold base is in common with Series VFS3000.

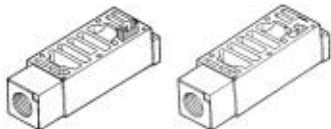
5 Port Pilot Operated Solenoid Valve Rubber Seal, Plug-in/Non Plug-in Series VFR3000

Manifold/Option Parts Assembly

Individual SUP spacer

Setting individual SUP spacer on the manifold block enables individual SUP port for each valve.

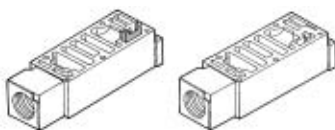
Body type	Plug-in type	Non plug-in type
Part no.	VVFS3000-P-03-1	VVFS3000-P-03-2



Individual EXH spacer

Setting individual EXH spacer on the manifold block enables individual EXH port for each valve.

Body type	Plug-in type	Non plug-in type
Part no.	VVFS3000-R-03-1	VVFS3000-R-03-2



SUP block disk

When supplying manifold with more than two different pressures, high and low, insert a block disk in between stations subjected to different pressures.

Body type	Plug-in type	Non plug-in type
Part no.	AXT636-1A	

EXH block disk

When valve exhaust affects the other stations on the circuit, insert EXH block disk in between stations to separate valve exhaust.

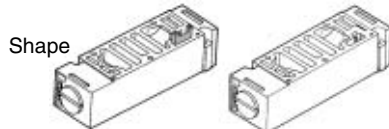
Body type	Plug-in type	Non plug-in type
Part no.	AXT636-1A	



Throttle valve spacer

Needle valve set on the manifold block can control cylinder speed by throttling exhaust.

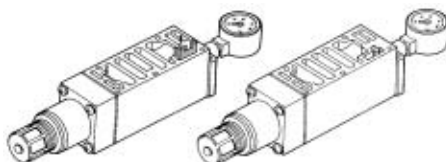
Body type	Plug-in type	Non plug-in type
Part no.	VVFS3000-20A-1	VVFS3000-20A-2



Interface regulator

Interface regulator set on the manifold block can regulate pressure for each valve. (Refer to "Flow Characteristics" on page 3-5-6 before operation.)

Body type	Plug-in type	Non plug-in type
P port regulation	ARBF3050-00-P-1	ARBF3050-00-P-2
A port regulation	ARBF3050-00-A-1	ARBF3050-00-A-2
B port regulation	ARBF3050-00-B-1	ARBF3050-00-B-2



SUP stop valve spacer

If SUP stop valve spacer is set, valve can be removed for maintenance without stopping air pressure supply for other valves.

Body type	Plug-in type	Non plug-in type
Part no.	VVFS3000-37A-1	VVFS3000-37A-2

(Height will be 27.5 mm higher.)

Blanking plate

It is used by attaching on the manifold block for being prepared for removing a valve for maintenance reasons or planning to mount a spare valve, etc.

Body type	Plug-in type	Non plug-in type
Part no.	VVFS3000-10A	

* Mounting screws: 4 positions

Manifold Option

With exhaust cleaner

Plug-in type/Non plug-in type

- Valve exhaust noise dampening: 35 dB or more.
- Collects oil mist: collecting rate 99.9% or more
- Piping process reduced.



For details, refer to page 3-5-44.

With control unit

Plug-in type/Non plug-in type

- Filter, regulation valve, pressure switch and air release valve are all combined to form one unit.
- Piping processes are eliminated.

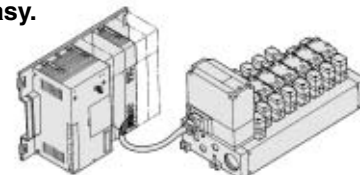


For details, refer to page 3-5-44.

With serial interface unit for serial transmission

Plug-in type

- Solenoid valve wiring process reduced considerably.
- Disperse installation possible. Manifold solenoid valve: 8 stations max. 32 positions (512 solenoids).
- Maintenance and inspection are easy.



For details, refer to "Serial Transmission" catalog separately.

VK

VZ

VF

VFR

VP4

VZS

VFS

VS4

VQ7

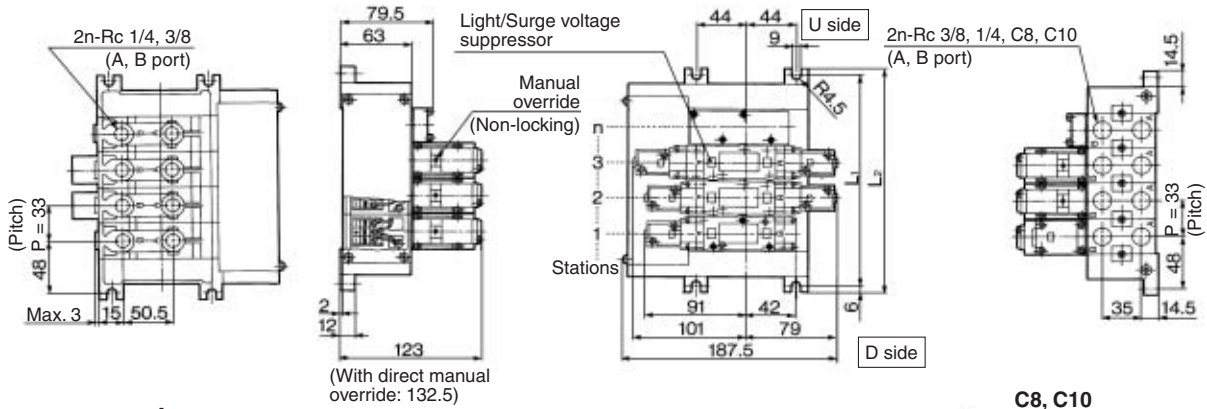
EVS

VFN

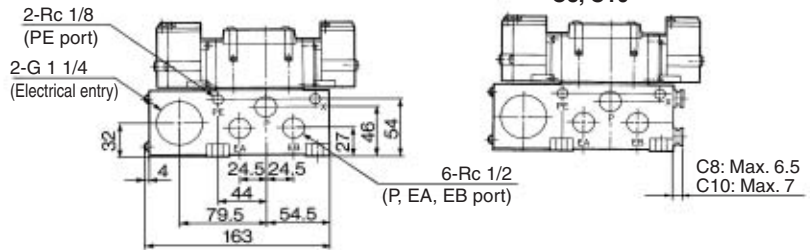
Series VFR3000

Manifold Plug-in type

With terminal block: VV5FR3-01T-Station 1-Port size



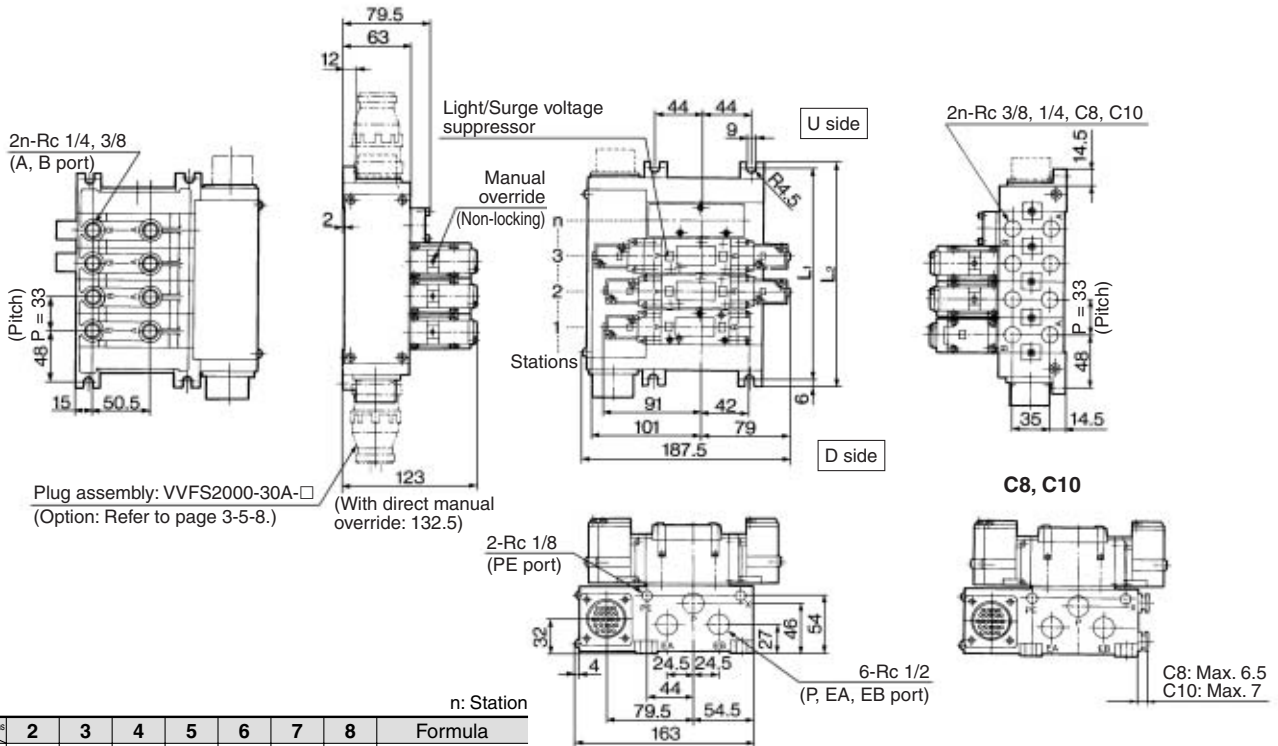
Bottom ported: VV5FR3-01T-Station 2-Port size



n: Station

Stations	2	3	4	5	6	7	8	9	10	Formula
L ₁	129	162	195	228	261	294	327	360	393	L ₁ = 33 x n + 63
L ₂	141	174	207	240	273	306	339	372	405	L ₂ = 33 x n + 75

With multi-connector: VV5FR3-01CD-Station 1-Port size, VV5FR3-01CU-Station 1-Port size



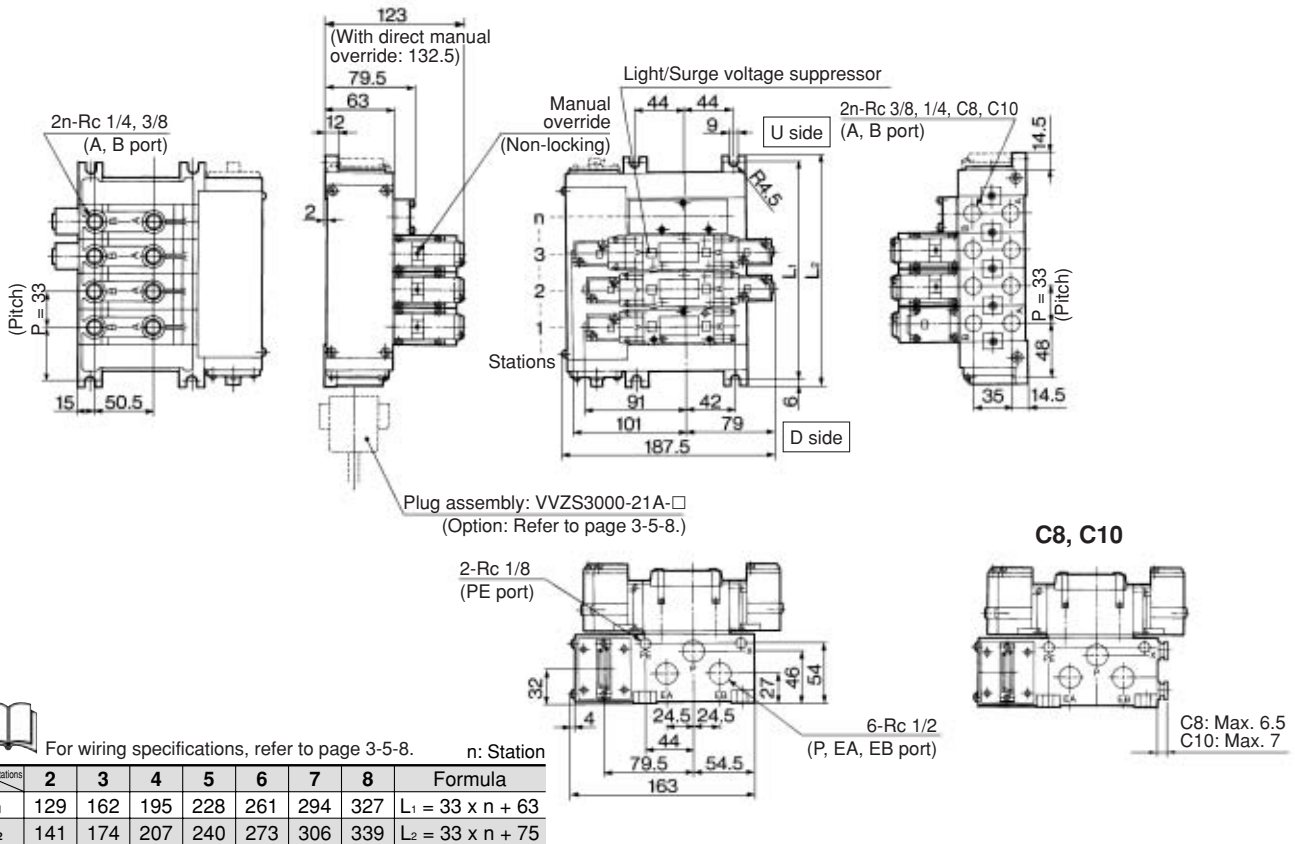
n: Station

Stations	2	3	4	5	6	7	8	Formula
L ₁	129	162	195	228	261	294	327	L ₁ = 33 x n + 63
L ₂	141	174	207	240	273	306	339	L ₂ = 33 x n + 75

5 Port Pilot Operated Solenoid Valve Rubber Seal, Plug-in/Non Plug-in Series VFR3000

Manifold Plug-in type

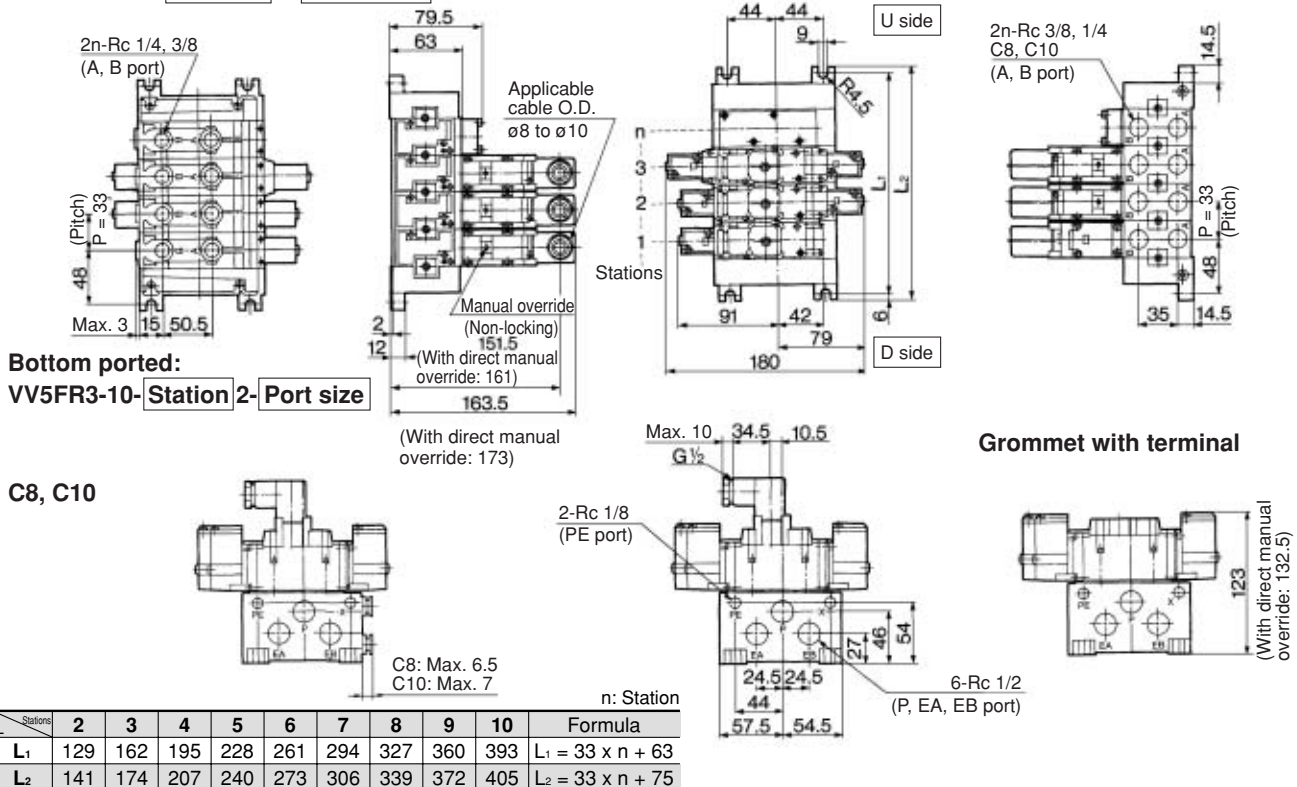
With D-sub connector: VV5FR3-01FD-Station 1-Port size, VV5FR3-01FU-Station 1-Port size



- VK
- VZ
- VF
- VFR**
- VP4
- VZS
- VFS
- VS4
- VQ7
- EVS
- VFN

Manifold Non plug-in type

VV5FR3-10-Station 1-Port size

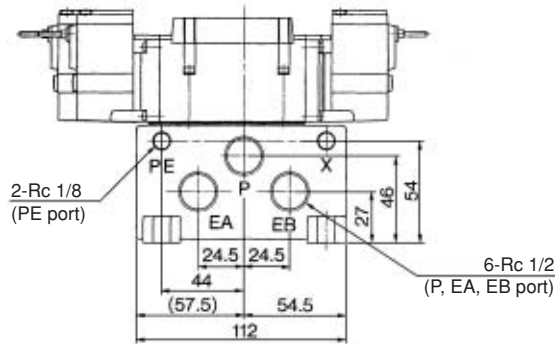
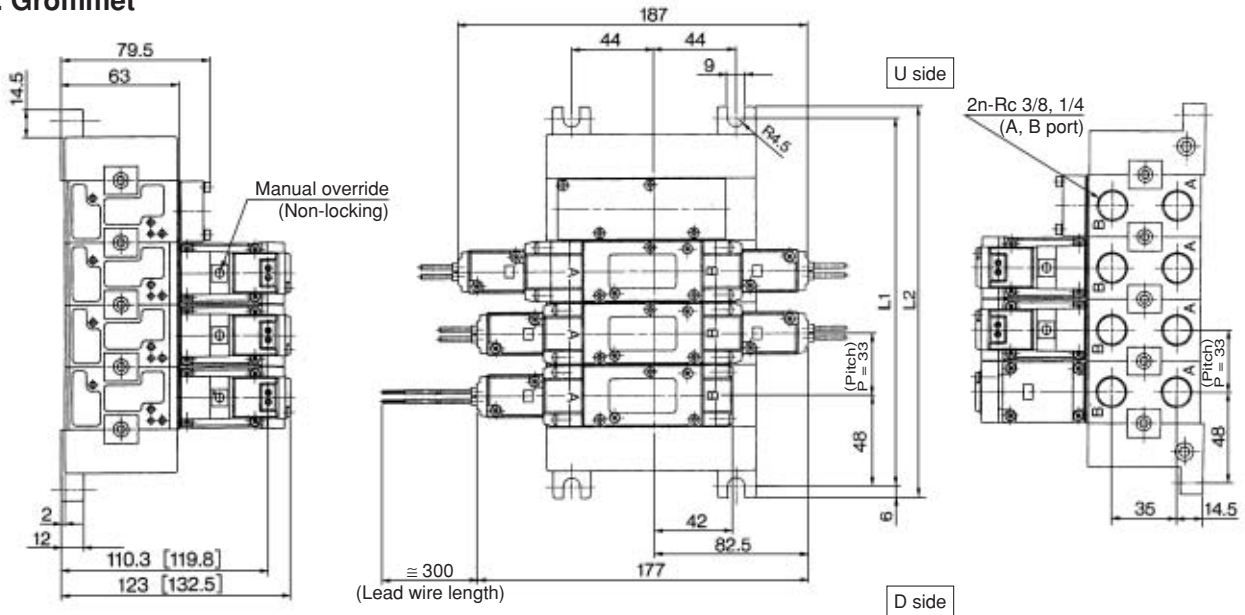


Series VFR3000

Manifold Plug-in type

VV5FR3-40-Station 1- Port size

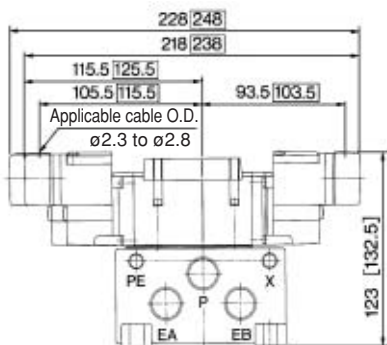
G: Grommet



L	Stations	2	3	4	5	6	7	8	9	10	Formula
L ₁		129	162	195	228	261	294	327	360	393	L ₁ = 33 x n + 63
L ₂		141	174	207	240	273	306	339	372	405	L ₂ = 33 x n + 75

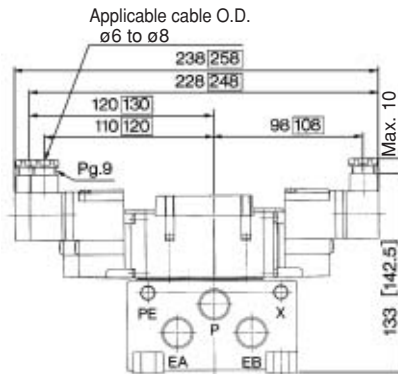
[] : With direct manual override

E: Grommet terminal



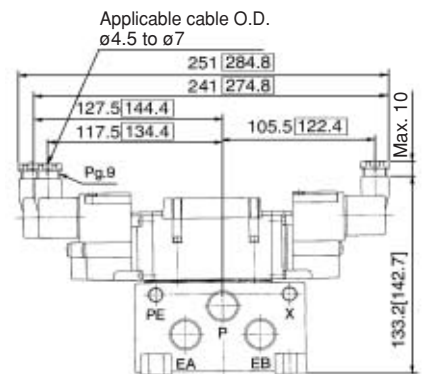
: With light/surge voltage suppressor

T: Conduit terminal



: With light/surge voltage suppressor

D, Y: DIN terminal

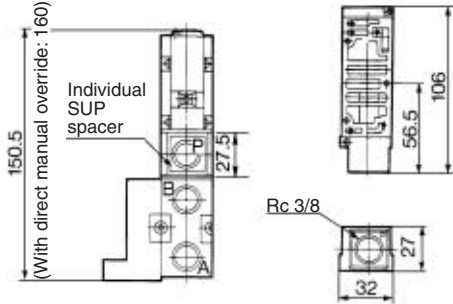


: With light/surge voltage suppressor

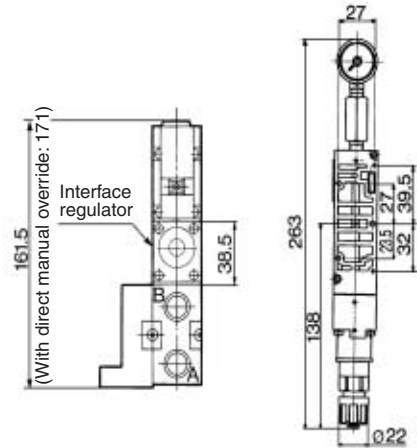
5 Port Pilot Operated Solenoid Valve Rubber Seal, Plug-in/Non Plug-in Series VFR3000

Manifold/Option Parts Assembly Plug-in type/Non plug-in type

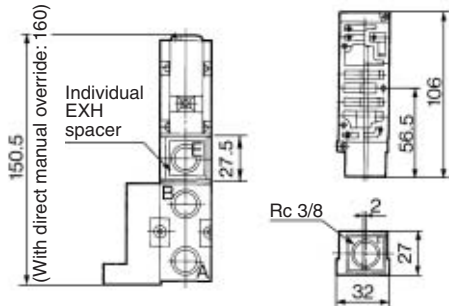
Individual SUP spacer:
VVFS3000-P-03-1 (Plug-in type)
VVFS3000-P-03-2 (Non plug-in type)



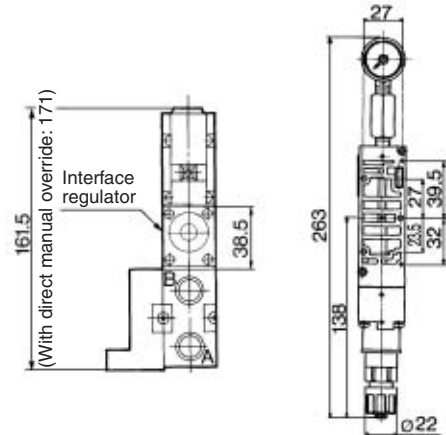
Interface regulator/P port regulation:
ARBF3050-00-P-1 (Plug-in type)
ARBF3050-00-P-2 (Non plug-in type)



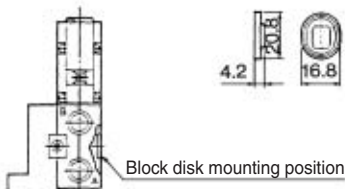
Individual EXH spacer:
VVFS3000-R-03-1 (Plug-in type)
VVFS3000-R-03-2 (Non plug-in type)



Interface regulator/A port regulation:
ARBF3050-00-A-1 (Plug-in type)
ARBF3050-00-A-2 (Non plug-in type)

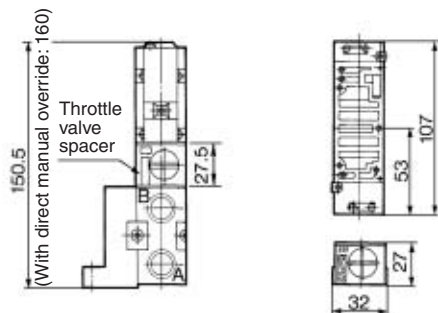


SUP/EXH block disk: AXT636-1A

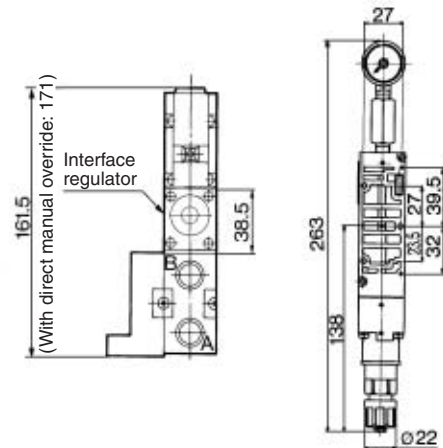


Note) Used with exclusive manifold block

Throttle valve spacer:
VVFS3000-20A-1 (Plug-in type)
VVFS3000-20A-2 (Non plug-in type)



Interface regulator/B port regulation:
ARBF3050-00-B-1 (Plug-in type)
ARBF3050-00-B-2 (Non plug-in type)



- VK
- VZ
- VF
- VFR
- VP4
- VZS
- VFS
- VS4
- VQ7
- EVS
- VFN

Series VFR3000

Manifold with Exhaust Cleaner

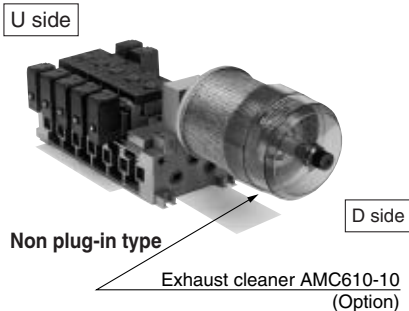
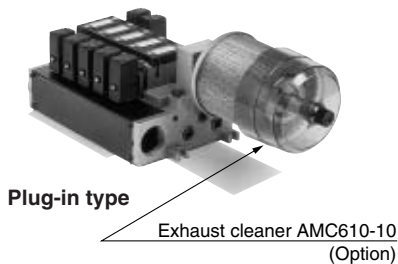
- Serves to protect working environment.
- Valve exhaust noise dampening: 35 dB or more.
- Collection rate of drainage and oil mist: 99.9% or more
- Piping work is reduced.

Manifold Specifications

Manifold	Plug-in type: VV5FR3-01□	Non plug-in type: VV5FR3-10	Non plug-in type: VV5FR3-40
Wiring	With terminal block With multi-connector With D-sub connector	DIN terminal Grommet terminal	Grommet, Grommet terminal Conduit terminal, DIN terminal
Applicable valve model	VFR3□0□-□F	VFR3□1□-□D VFR3□1□-□E	VFR3□4□-□G, VFR3□4□-□E VFR3□4□-□T, VFR3□4□-□D
Porting specifications	Common SUP, Common EXH		
	A, B port P port	Side: Rc 1/4, 3/8, C8, C10 Bottom: Rc 1/4, 3/8 (Option) Side: Rc 1/2 EXH port: Rc 1	
Stations	2 to 10 stations (With multi-connector/D-sub connector: 2 to 8 stations)		
Applicable exhaust cleaners	AMC610-10 (Port size: R1) ^{Note)}		



Note) Exhaust cleaner "AMC610-10" is not included.



How to Order

VV5FR3-10-061-03-CD

Series VFR3000
Manifold

Base type/ Electrical entry	
01T	Plug-in type with terminal block
01C	Plug-in type with multi-connector
01F	Plug-in type with D-sub connector
10	Non plug-in type Common electrical entry
40	Non plug-in type Individual electrical entry

Connector mounting direction		
Symbol	With connector	Applicable base
Nil	None	01T, 10, 40
D	D side mounting	01C, 01F
U	U side mounting	

Stations	
02	2 stations
⋮	⋮
10 ^{Note)}	10 stations



Note) • Base 01T/10/40: 2 to 10 stations
• Base 01C/01F: 2 to 8 stations

Exhaust cleaner mounting direction

Symbol	Exhaust cleaner mounting direction	
CD	D side	D side mounting
CU	U side	U side mounting

Thread type

Nil	Rc
F	G
N	NPT
T	NPTF

Port size

Symbol	P, EA, EB	A, B*
02	1/2	1/4
03		3/8
C8		One-touch fitting for ø8
C10		One-touch fitting for ø10
M		Mixed

* For bottom ported:
Rc 1/4, 3/8

Symbol

Symbol	Passage		Porting specifications (A, B)
	P	EA, EB	
1	Common	Common	Side
2			Bottom *

* Option

How to Order Manifold Assembly

<Example> Plug-in type with terminal block (6 stations)

VV5FR3-01T-061-03-CD 1 set (Manifold base part no.)
 *VFR3100-5FZ 3 sets (2 position single part no.)
 *VFR3200-5FZ 2 sets (2 position double part no.)
 *VVFS3000-10A 1 set (Blanking plate assembly part no.)
 *AMC610-10 1 set (Exhaust cleaner part no.)
 ↳ The asterisk denotes the symbol for assembly. Prefix it to the part nos. of the solenoid valve, etc.

Valve arrangement is counted from the D side.
 When ordering, specify the part nos. in order from the 1st. station in the D side.
 When entry of part numbers becomes complicated, indicate on the manifold specification sheet.

⚠ Caution

When using an exhaust cleaner, mount it downwards.

<Example> Non plug-in type: 6 stations

VV5FR3-10-061-03-CU 1 set (Manifold base part no.)
 *VFR3110-5E 3 sets (2 position single part no.)
 *VFR3210-5E 2 sets (2 position double part no.)
 *VVFS3000-10A 1 set (Blanking plate assembly part no.)
 *AMC610-10 1 set (Exhaust cleaner part no.)
 ↳ The asterisk denotes the symbol for assembly. Prefix it to the part nos. of the solenoid valve, etc.

Valve arrangement is counted from the D side.
 When ordering, specify the part nos. in order from the 1st. station in the D side.
 When entry of part numbers becomes complicated, indicate on the manifold specification sheet.

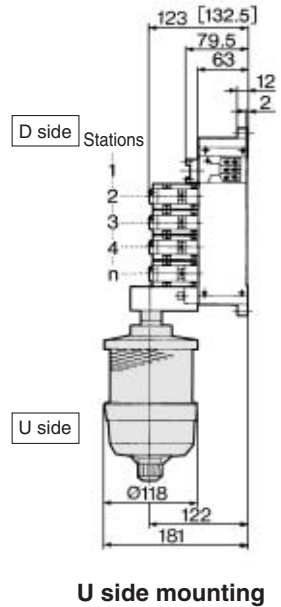
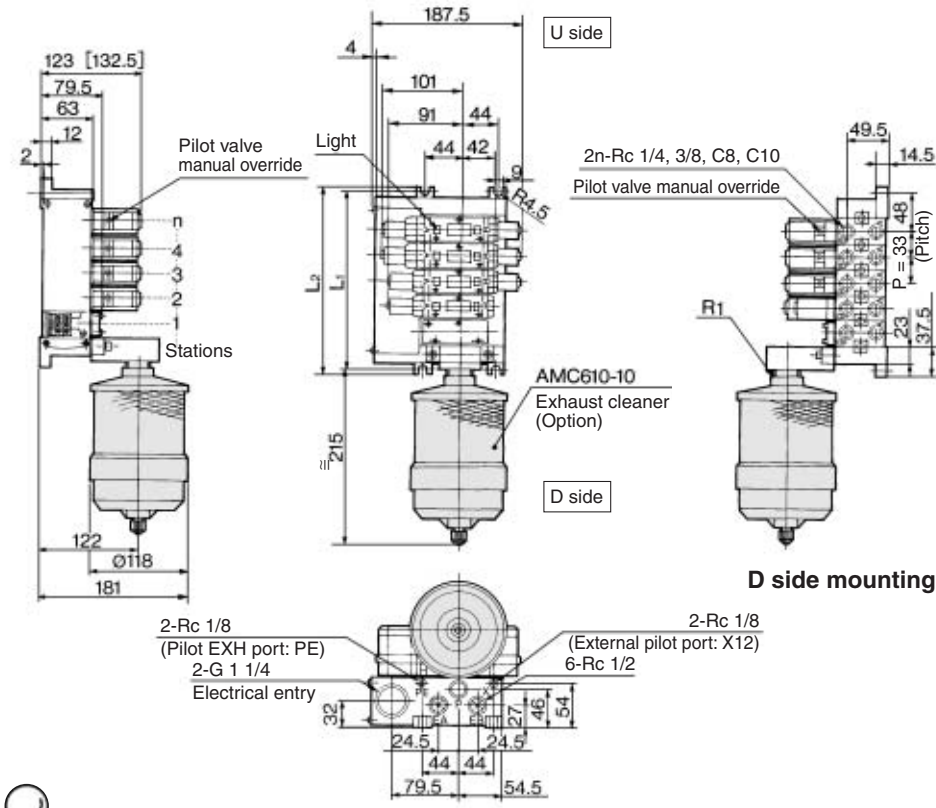


Refer to Best Pneumatics Vol. 5 for Exhaust Cleaner details.

5 Port Pilot Operated Solenoid Valve Rubber Seal, Plug-in/Non Plug-in Series VFR3000

Manifold with Exhaust Cleaner Plug-in type/Non plug-in type

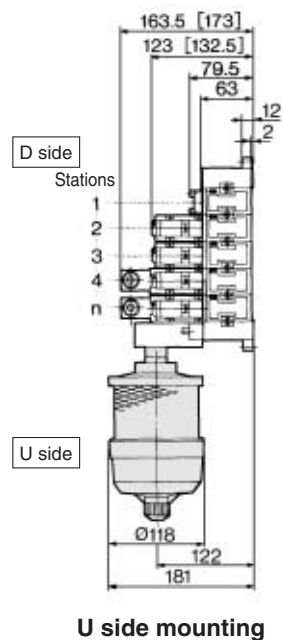
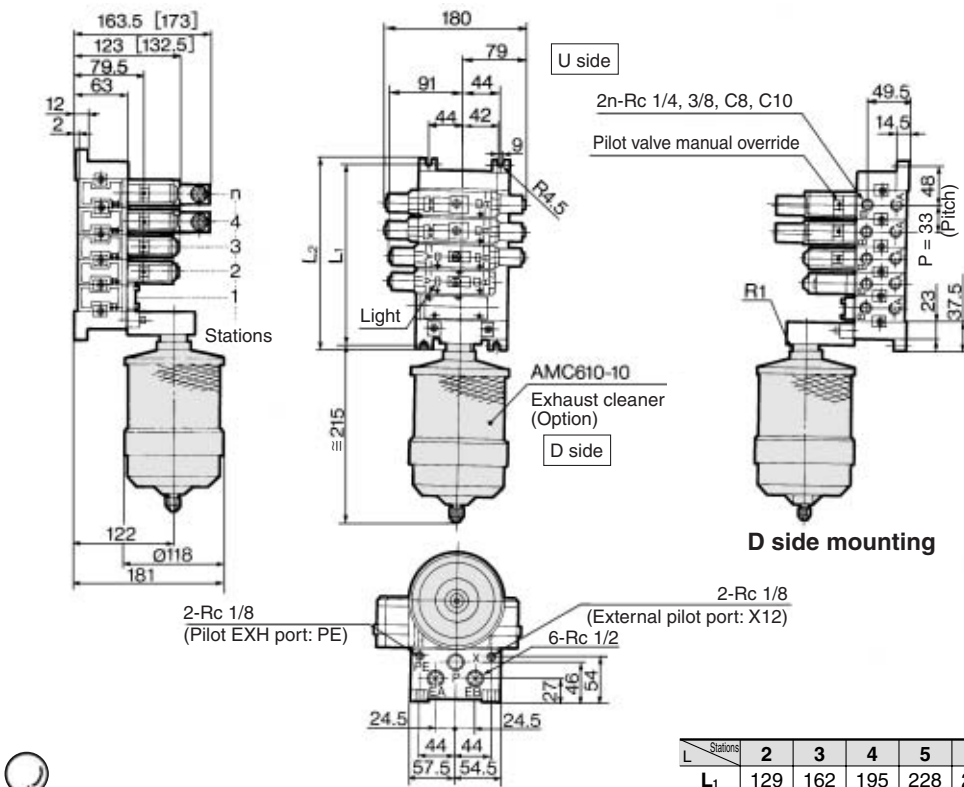
Plug-in type: VV5FR3-01T-Station 1-Port size -^{CD}/_{CU}



- VK
- VZ
- VF
- VFR
- VP4
- VZS
- VFS
- VS4
- VQ7
- EVS
- VFN

[]: With direct manual override

Non plug-in type: VV5FR3-10-Station 1-Port size -^{CD}/_{CU}



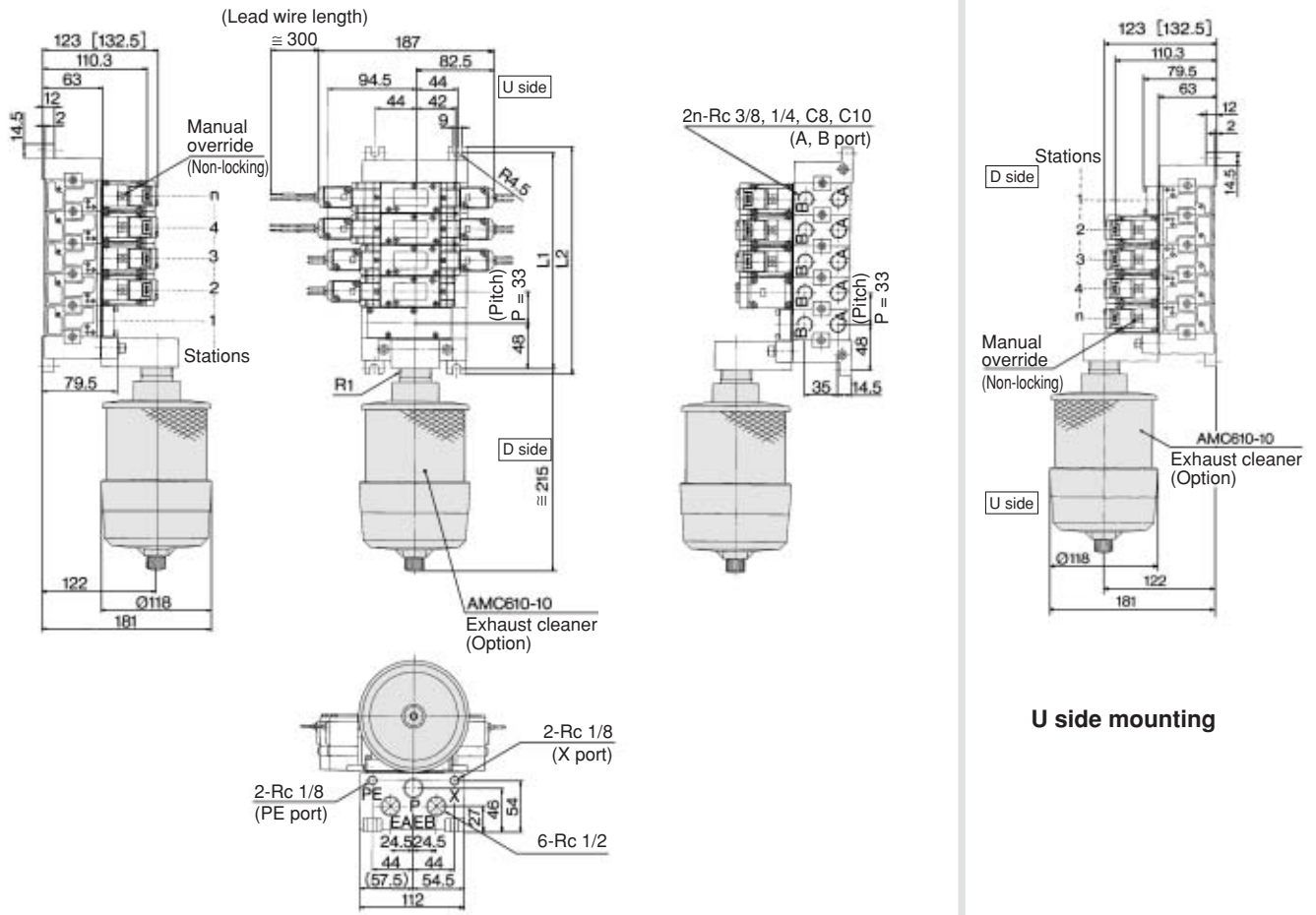
[]: With direct manual override

L Stations	2	3	4	5	6	7	8	9	10	Formula
L ₁	129	162	195	228	261	294	327	360	393	L ₁ = 33 x n + 63
L ₂	141	174	207	240	273	306	339	372	405	L ₂ = 33 x n + 75

Series VFR3000

Manifold with Exhaust Cleaner Non plug-in type

Non plug-in type: VV5FR3-40- Station 1- Port size - $\frac{CD}{CU}$



U side mounting

n: Station

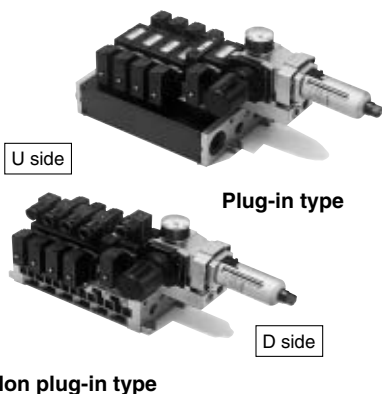
Stations	2	3	4	5	6	7	8	9	10	Formula
L ₁	129	162	195	228	261	294	327	360	393	L ₁ = 33 x n + 63
L ₂	141	174	207	240	273	306	339	372	405	L ₂ = 33 x n + 75



[]: With direct manual override

Manifold with Control Unit

- Control unit (Filter, Regulator, Pressure switch, Air release valve) are all standardized to the one unit, and can be mounted on the manifold base without any attachments.
- Piping processes are eliminated.



⚠ Caution

Air filter with auto-drain or manual drain must be mounted with the air filter at the bottom.

Manifold Specifications

Manifold	Plug-in type: VV5FR3-01□	Non plug-in type: VV5FR3-10	Non plug-in type: VV5FR3-40
Wiring	With terminal block With multi-connector With D-sub connector	DIN terminal Grommet terminal	Grommet, Grommet terminal Conduit terminal, DIN terminal
Applicable valve model	VFR3□0□-□F	VFR3□1□-□D VFR3□1□-□E	VFR3□4□-□G, VFR3□4□-□E VFR3□4□-□T, VFR3□4□-□Y
Porting specifications	Common SUP, Common EXH		
	A, B port	Side: Rc 1/4, 3/8, C8, C10 Bottom: Rc 1/4, 3/8 (Option)	
Rc	P, EA, EB port	Side: Rc 1/2	
Stations	2 to 10 (With multi-connector/D-sub connector: 2 to 8) *		



* Including station of control unit

Control Unit Specifications

Air filter (With auto-drain/With manual drain)	
Filtration degree	5 μm
Regulator	
Set pressure (Outlet pressure)	0.05 to 0.85 MPa
Pressure switch	
Set pressure range: OFF	0.1 to 0.6 MPa
Differential	0.08 MPa
Contact	1a
Indicator light	LED (RED)
Max. switch capacity	2 VA AC, 2 W DC
Max. operating current	24 VAC, DC or less: 50 mA 100 VAC, DC: 20 mA
Inside voltage drop	4 V or less
Air release valve (Single only)	
Operating pressure range	0.2 to 0.9 MPa

Control Unit/Option

Air release valve spacer ⁽¹⁾	<Plug-in type> VVFS3000-24A-1R (D side mounting)	
	<Non plug-in type> VVFS3000-24A-2R (D side mounting)	
Pressure switch ⁽²⁾	IS1000P-2-1	
Blanking plate	For filter regulator	MP2-3
	For pressure switch	MP3-2
	For air release valve	VVFS3000-24A-10
Filter element	INA-13-854-12-5B	



Note 1) Combining valve "VFR31□□" (single) and release valve spacer makes it possible to use this as an air release valve.

Note 2) Pressure switch cannot be mounted later on non plug-in type.

VK

VZ

VF

VFR

VP4

VZS

VFS

VS4

VQ7

EVS

VFN

Series VFR3000

How to Order

VV5FR3-10-08-1-02-AP

Series VFR3000 Manifold

Base type/Electrical entry

01T	Plug-in with terminal block
01C	Plug-in with multi-connector
01F	Plug-in type with D-sub connector
10	Non plug-in type (Common entry)
40	Non plug-in type (Individual entry)

Connector mounting direction

Symbol	With connector	Applicable base
Nil	None	01T, 10, 40
D	D side mounting	01C, 01F
U	U side mounting	

Stations

02	2 stations
⋮	⋮
10 ^{Note)}	10 stations

Note)

- Base 01T/10/40: 2 to 10 stations
- Base 01C/01F: 2 to 8 stations
- Including stations of control unit.

Symbol

Symbol	Passage		Porting specifications (A, B)
	P	EA, EB	
1	Common	Common	Side
2			Bottom *

* Option

Port size

Symbol	P, EA, EB	A, B *
02	1/2	1/4
03		3/8
C8		One-touch fitting for ø8
C10		One-touch fitting for ø10
M		Mixed

* For bottom ported: only 1/4, 3/8

Air release valve coil rating

Nil	None
1	100 VAC, 50/60 Hz
5	24 VDC
9	Other

Control unit type

Control equipment	Symbol										
		Nil	MP	AP	M	A	G	F	C	E	
Air release valve			●	●	●	●			●	●	
Air filter regulator with manual drain			●		●		●				
Air filter regulator with auto-drain				●		●		●			
Pressure switch			●	●							
Blanking plate (Air release valve)							●	●			
Blanking plate (Filter regulator)									●		
Blanking plate (Pressure switch)					●	●	●	●	●		
Required stations			2 stations								1 station

Note) Control unit is D side mounting only.

Thread type

Nil	Rc
F	G
N	NPT
T	NPTF

How to Order Manifold Assembly

<Example> Plug-in type with terminal block

VV5FR3-01T-081-03-AP5 1 set (Manifold base part no.)
 *VFR3100-5FZ 4 sets (2 position single part no.)
 *VFR3200-5FZ 2 sets (2 position double part no.)

→ The asterisk denotes the symbol for assembly. Prefix it to the part nos. of the solenoid valve, etc.

The 1st and 2nd station are used for control unit mounting. When ordering, specify the part nos. in order from the 3rd. station in the D side. When entry of part numbers becomes complicated, indicate on the manifold specification sheet.

<Example> Non plug-in type

VV5FR3-10-061-03-A5 1 set (Manifold base part no.)
 *VFR3110-5D 4 sets (2 position single part no.)

→ The asterisk denotes the symbol for assembly. Prefix it to the part nos. of the solenoid valve, etc.

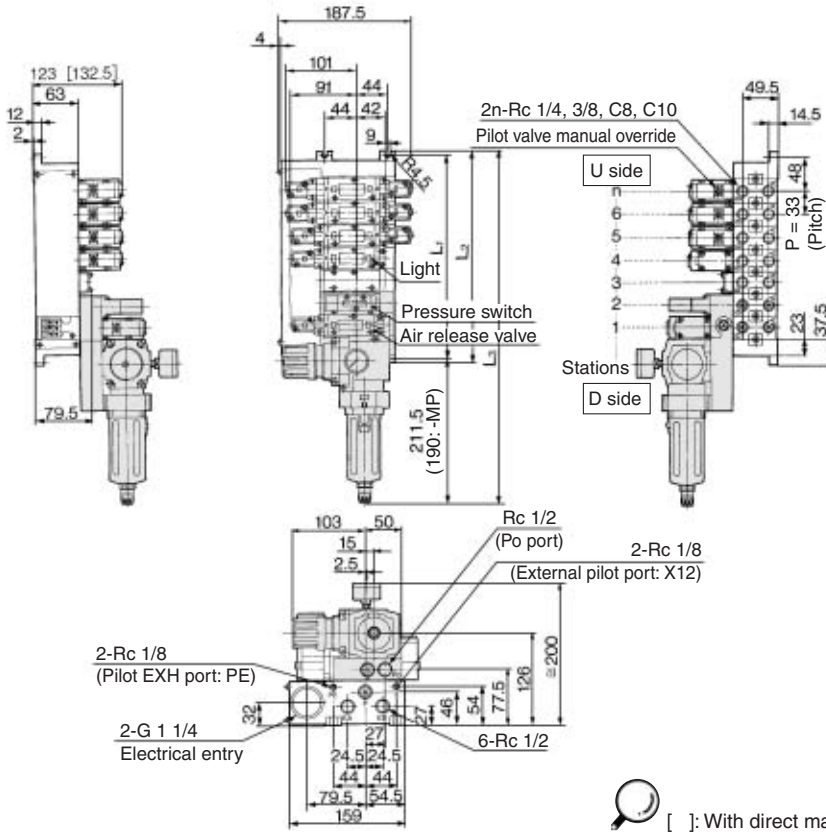
The 1st and 2nd station are used for control unit mounting. When ordering, specify the part nos. in order from the 3rd. station in the D side. When entry of part numbers becomes complicated, indicate on the manifold specification sheet.

5 Port Pilot Operated Solenoid Valve Rubber Seal, Plug-in/Non Plug-in Series VFR3000

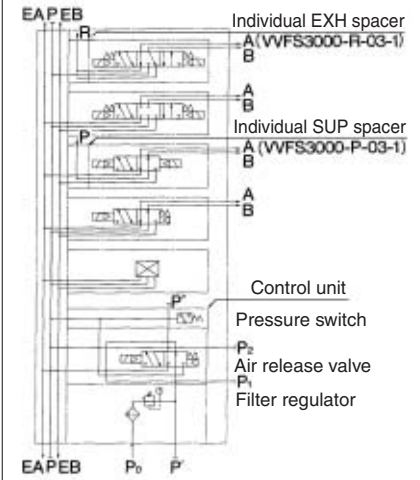
Manifold with Control Unit Plug-in type/Non plug-in type

Plug-in type:

VV5FR3-01T-Station 1-Port size -AP Voltage of air release valve

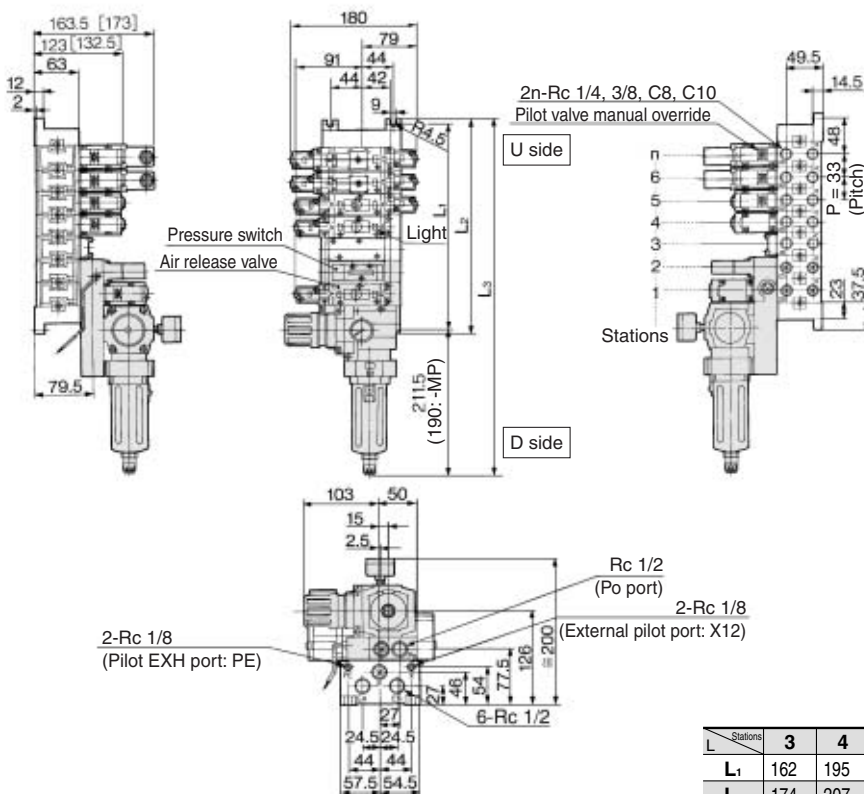


Example for manifold

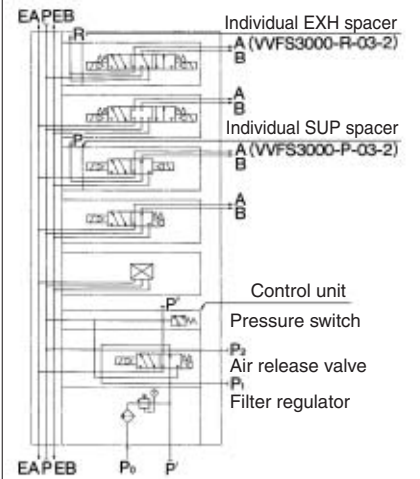


Non plug-in type:

VV5FR3-10-Station 1-Port size -AP Voltage of air release valve



Example for manifold



[] : With direct manual override

		n: Station								
Stations		3	4	5	6	7	8	9	10	Formula
L ₁		162	195	228	261	294	327	360	393	L ₁ = 33 x n + 63
L ₂		174	207	240	273	306	339	372	405	L ₂ = 33 x n + 75
L ₃ (MP)		363	396	429	462	495	528	561	594	L ₃ = 33 x n + 264
L ₃ (AP)		384.5	417.5	450.5	483.5	516.5	549.5	582.5	615.5	L ₃ = 33 x n + 285.5

VK

VZ

VF

VFR

VP4

VZS

VFS

VS4

VQ7

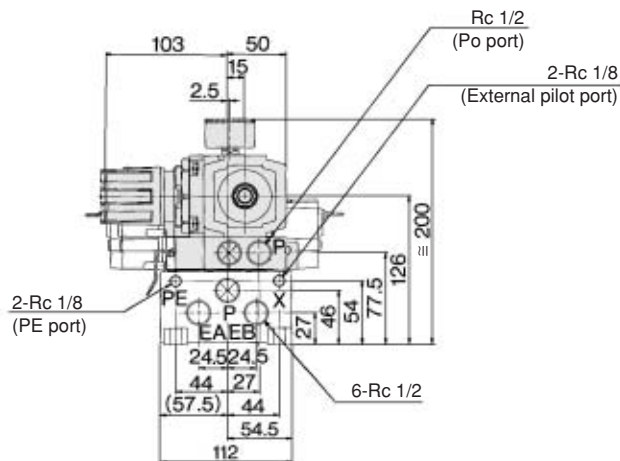
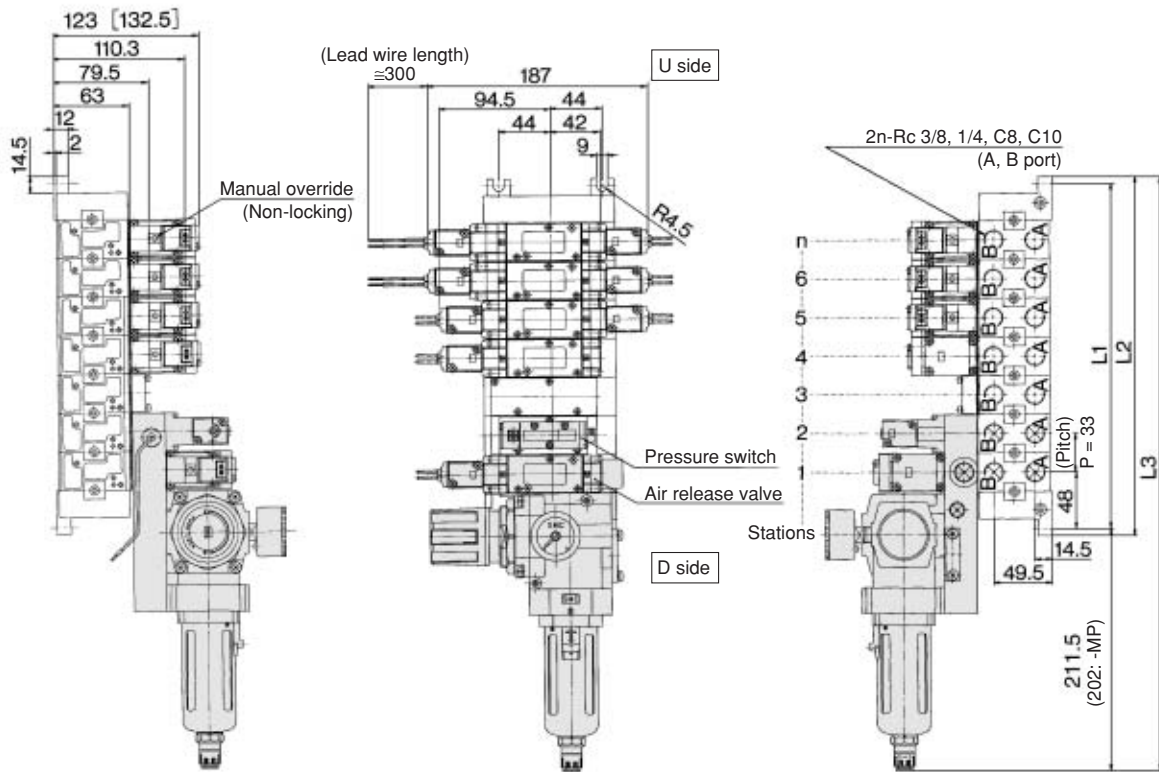
EVS

VFN

Series VFR3000

Manifold with Control Unit Non plug-in type

Non plug-in type: VV5FR3-40- Station 1- Port size -AP Voltage of air release valve



n: Station

Stations	3	4	5	6	7	8	9	10	Formula
L ₁	162	195	228	261	294	327	360	393	L ₁ = 33 x n + 63
L ₂	174	207	240	273	306	339	372	405	L ₂ = 33 x n + 75
L ₃ (MP)	363	396	429	462	495	528	561	594	L ₃ = 33 x n + 264
L ₃ (AP)	384.5	417.5	450.5	483.5	516.5	549.5	582.5	615.5	L ₃ = 33 x n + 285.5



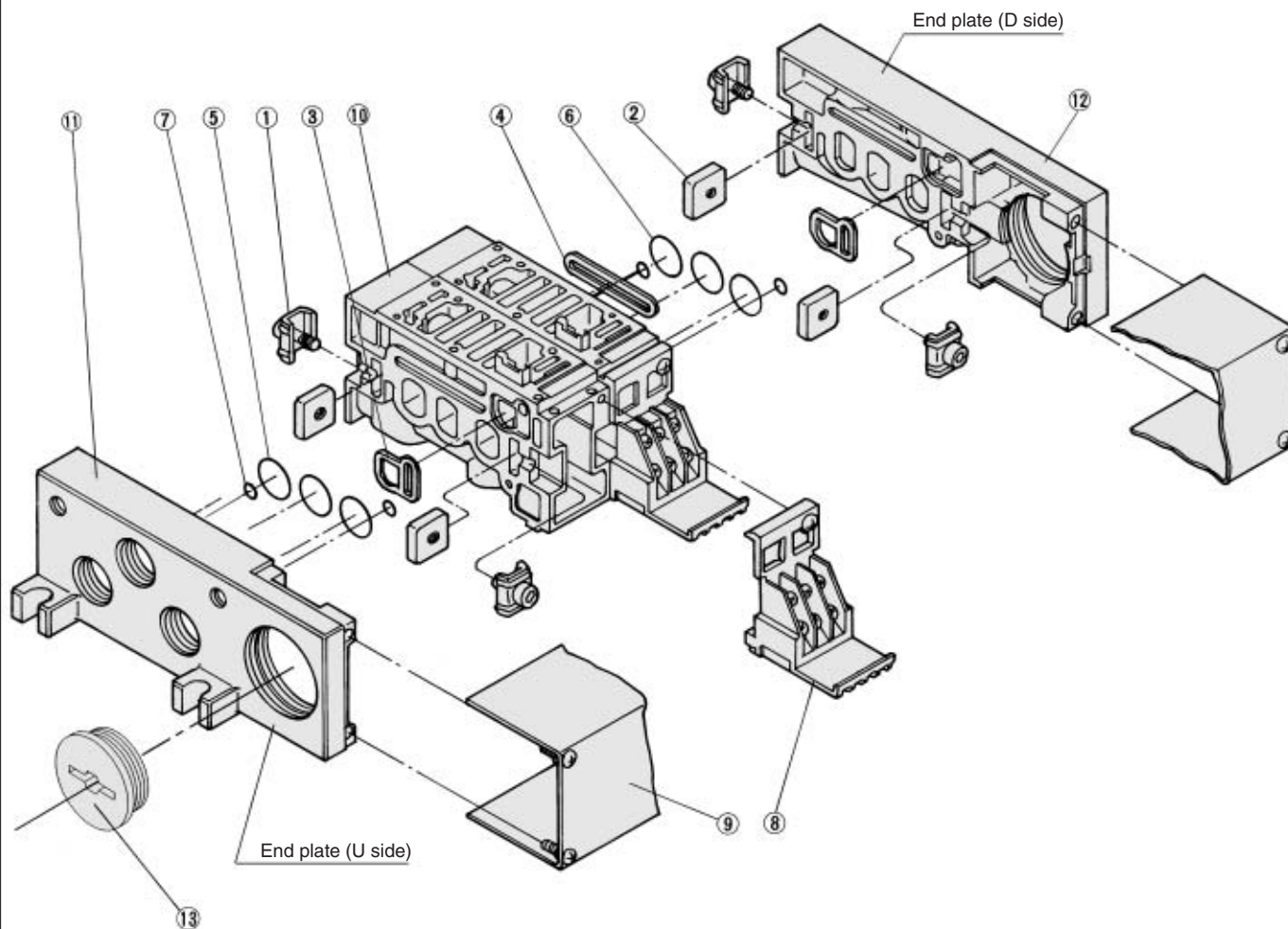
[]: With direct manual override



(): MP

5 Port Pilot Operated Solenoid Valve Rubber Seal, Plug-in/Non Plug-in Series VFR3000

Manifold Base Construction Plug-in type/Non plug-in type



- VK
- VZ
- VF
- VFR
- VP4
- VZS
- VFS
- VS4
- VQ7
- EVS
- VFN

Replacement Parts

No.	Description	Material	Part no.
①	Connection fitting A	Steel	VVFS3000-5-1A
②	Connection fitting B	Steel	VVFS3000-5-2
③	Gasket	NBR	VVFS3000-7-1
④	Gasket	NBR	VVFS3000-8
⑤	O-ring	NBR	19.8 x 16.6 x 1.6 (for end plate)
⑥	O-ring	NBR	20 x 16 x 2 (for manifold block)
⑦	O-ring	NBR	6.2 x 3 x 1.6
⑧	Terminal assembly	—	VVFS3000-6A
⑨	Junction cover assembly	—	For 01T VVFS3000-4A- Stations For 01SU AZ738-22A- Stations
⑬	Rubber plug	NBR	AXT336-9

Replacement Parts: Sub Assembly



Note) Manifold Base/Construction: Plug-in type with terminal block.

No.	Description	Assembly part no.	Component parts	Applicable manifold base
⑩	Manifold block assembly <small>Note)</small>	VVFS3000-1A-1- ⁰² / ₀₃ / _{C10}	Manifold block ⑩, Terminal ⑧, Connection bracket ①, ②, Gasket ③, ④, O-ring ⑥, ⑦, Receptacle assembly	Plug-in type
		VVFS3000-1A-2- ⁰² / ₀₃ / _{C10}	Manifold block ⑨, Connection bracket ①, ②, Gasket ③, ④, O-ring ⑥, ⑦	Non plug-in type
⑪	End plate (U side) assembly	VVFS3000-2A-1	End plate (U) ⑪, Connection bracket ①, ②, Gasket ④, O-ring ⑤, ⑦	Plug-in type
		VVFS3000-2A-2	End plate (U) ⑪, Connection bracket ①, ②, Gasket ④, O-ring ⑤, ⑦	Non plug-in type
⑫	End plate (D side) assembly	VVFS3000-3A-1	End plate (D) ⑫, Connection bracket ①, ②, Gasket ③	Plug-in type
		VVFS3000-3A-2	End plate (D) ⑫, Connection bracket ①, ②, Gasket ③	Non plug-in type



Note) For side ported