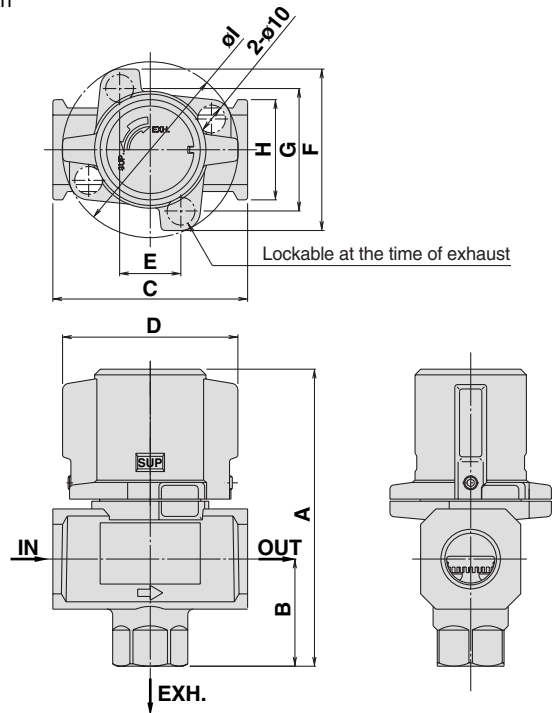
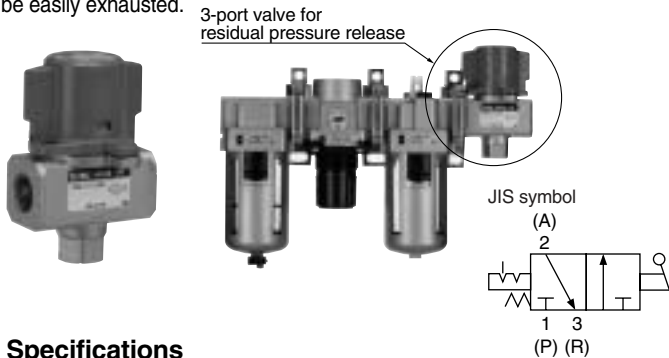


## 3-Port Valve for Residual Pressure Release (V)

With the use of a 3-port valve for residual pressure release, pressure left in the line can be easily exhausted.



### Specifications

Model	Port size		Effective area (mm <sup>2</sup> ) ( ) Effective Area mm <sup>2</sup> (Cv)	
	IN,OUT	EXH.	IN to OUT	OUT to EXH.
VHS20	1/8	1/8	10 (0.54)	11 (0.60)
	1/4		14 (0.76)	16 (0.87)
VHS30	1/4	1/4	16 (0.87)	14 (0.76)
	3/8		31 (1.68)	29 (1.57)
VHS40	1/4	3/8	27 (1.46)	36 (1.95)
	3/8		38 (2.06)	40 (2.17)
	1/2		55 (2.98)	42 (2.28)
VHS40-06	3/4	1/2	77 (1.73)	49 (2.66)
VHS50	3/4	1/2	82 (4.44)	50 (2.71)
	1		125 (6.78)	53 (2.87)

Note) Use an air filter on the IN side for operating protection.

Model	A	B	C	D	E	F	G	H	I
VHS20	59	20	40	34	—	45	33	28	45
VHS30	78	29	53	46	—	55	42	30	55
VHS40	107	39	70	63	22	58	44	36	63
VHS40-06	110	42	75	67	21	65	50	44	69
VHS50	134	53	90	78	26	76	61	54	81

### How to Order

**VHS 30-F 03-RZ**

3-port valve for residual pressure release

Body size

Symbol	Applicable model
20	AC20
30	AC25,30
40	AC40
50	AC50, AC60 <sup>Note)</sup>

Note) When the valve is mounted on AC60, the flow rate may decrease depending upon the mounting position.

Thread type

Nil	Rc
N	NPT
F	G

Port size

Symbol	Port size	Body size			
		20	30	40	50
01	1/8	□	—	—	—
02	1/4	□	□	□	—
03	3/8	—	□	□	—
04	1/2	—	—	□	—
06	3/4	—	—	□	□
10	1	—	—	—	□

### Caution

1. Consult SMC when a pressure switch and T type spacer are installed on the outlet of pressure release valve
2. If a stop valve or a silencer is connected to the exhaust port of VHS20/30, the effective sectional area should be larger than the figure indicated in the following table, to prevent malfunction caused by back pressure. (This is not applicable to VHS40 and VHS50)

Model	Effective area (mm <sup>2</sup> )
VHS20	5
VHS30	5

### Optional specifications

Code	Description
R	Flow direction: Right to left
Z <sup>Note 1)</sup>	Name plate in imperial units (PSI, °F)

Note 1) This product is for overseas use only according to the new Measurement Law. (The SI unit type is provided for use in Japan.)