

3 Port Direct Operated Poppet  
Solenoid Valve  
**Series VKF300**



# 3 Port Direct Operated Poppet Solenoid Valve

## Series VKF300

### Compact with large flow rate

Body width 18mm  
Cv0.25 (Standard: Base mounted type)  
Cv0.20 (Standard: Body ported type)

### Can be used for vacuum (-101.2kPa)

(valve leakage 0.03cm<sup>3</sup>/s or less with He)  
Can be used in vacuum/release circuits

### Universal porting type

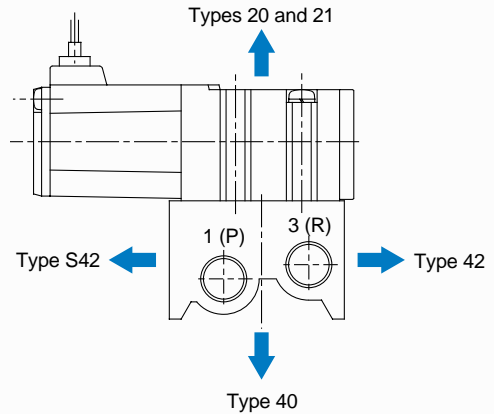
N.C./N.O. type can be switched by supplying air to port 1(P) or 3(R).  
2 way valves and selector valves can also be freely used.

### Ozone resistant (Series 80-)

FKM (fluororubber) is used for the fluid-contact rubber materials, allowing use even in ozone environments.

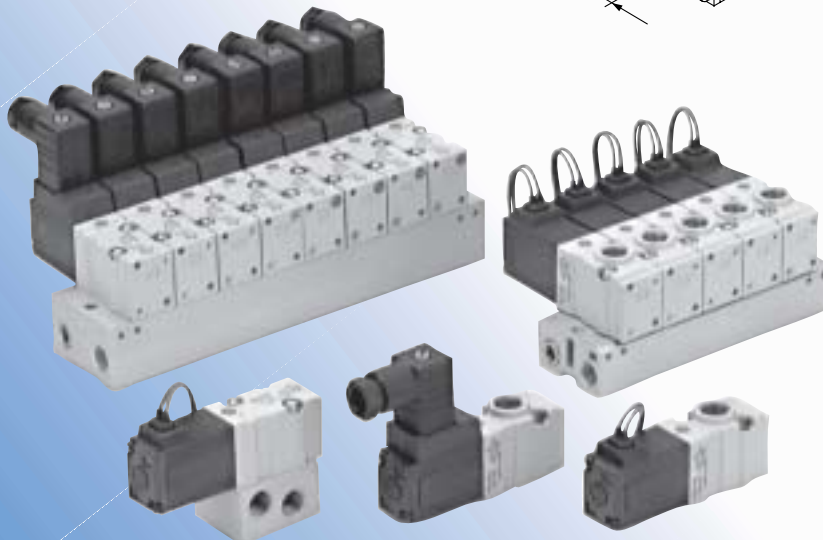
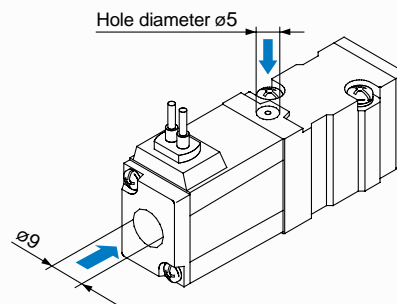
### Various manifold piping directions

Output port: Manifold set-up allowing 360° rotation of 2(A) entry direction (in 90° increments)



### Easy manual operation

Since manual overrides are located in 2 directions, on the top and on the side of the valve, manual override operation is possible unaffected by mounting space and piping direction, etc.



# 3 Port Direct Operated Poppet

# 3 Port Direct Operated Poppet Solenoid Valve

# Series VKF300

## How to Order Valves



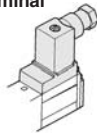
**Rated voltage**

1	100VAC 50/60 Hz
2	200VAC 50/60 Hz
3	110VAC 50/60 Hz
4	220VAC 50/60 Hz
5	24VDC
6	12VDC
7	240VAC 50/60 Hz
9	Others, less than 240VAC

Contact SMC for other voltages (9)

**Electrical entry**

D-DIN type terminal



DO-DIN terminal\* (without connector)



All rated voltages

**Port size**

M5	M5
01	1/8 (port A)

<b>Body ported (single type)</b>	VKF332	□	5	G	□	M5	□	Q (with bracket)
<b>Body ported (for manifold)</b>	VKF333	□	5	G	□	M5	□	Q
<b>Base mounted</b>	VKF334	□	5	G	□	01	□	Q



**Valve option**

—	Standard
V	For vacuum
Y*	For low power consumption
W*	For vacuum/low power consumption
E*	For long loading time

\* Please inquire separately regarding applicable voltage.

**Light/Surge voltage suppressor**

Nil	None
S	With surge voltage suppressor
Z	With light/surge voltage suppressor (D type only)

\* Since the light is built into the connector, there is no DOZ part number.

**Thread**

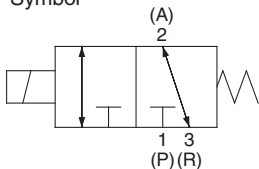
—	Rc (PT)
F	G (PF)
N	NPT
T	NPTF

**Port size**

01	1/8 (with sub plate)
Nil	Without sub plate

## Models

Symbol



Valve model		Operating pressure range MPa {kgf/cm <sup>2</sup> }	Port size	Effective area mm <sup>2</sup> (N/min)	Weight g (grommet type)
<b>Body ported</b>	VKF332 <sub>3</sub>	0 to 0.7 {0 to 7.1}	M5 1/8	3.6 (196)	80 <sup>Note 1)</sup>
	VKF332 <sub>3</sub> Y (for low power consumption, DC2W)			2.7 (147)	
	VKF332 <sub>3</sub> E (for long loading time)			2.7 (147)	
	VKF332 <sub>3</sub> V (for vacuum)	-101.2kPa to 0.1 {1Torr to 1}		3.6 (196)	
	VKF332 <sub>3</sub> W (for low power consumption/vacuum)			2.7 (147)	
<b>Base mounted</b>	VKF334	0 to 0.7 {0 to 7.1}	1/8	4.5 (245)	120
	VKF334Y (for low power consumption, DC2W)			2.7 (147)	
	VKF334E (for long loading time)			2.7 (147)	
	VKF334V (for vacuum)	-101.2kPa to 0.1 {1Torr to 1}		4.5 (245)	
	VKF334W (for low power consumption/vacuum)			2.7 (147)	

Note 1) VKF332 (3/8): Add 10g to each when equipped with bracket.

## Standard specifications

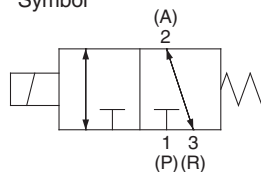


Body ported type



Base mounted type

Symbol



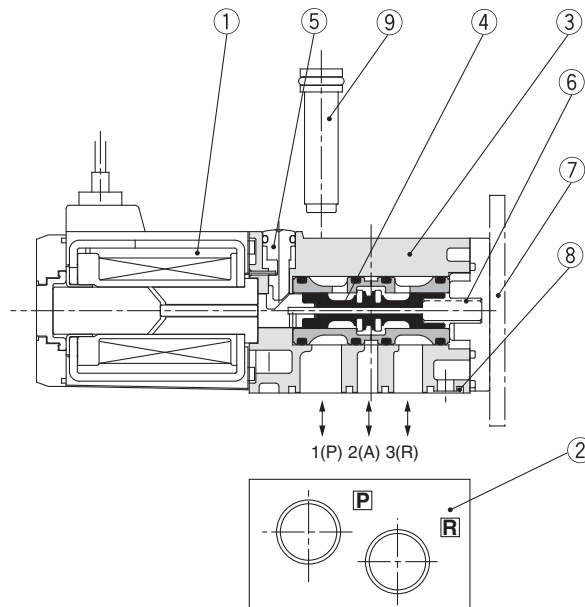
Valve specifications	<b>Type of actuation</b>		Direct operated type 2 position single solenoid	
	<b>Fluid</b>		Air	
	<b>Ambient and fluid temperature</b>		Maximum 50°C	
	<b>Response time (at 0.5MPa {5.1kgf/cm<sup>2</sup>})</b> <small>Note 1)</small>		10ms or less (standard), 15ms or less (low power consumption type)	
	<b>Manual operation</b>		Non-locking push type	
	<b>Lubrication</b>		Not required (if lubricated, use class 1 turbine oil ISO VG32)	
	<b>Mounting orientation</b>		Unrestricted	
	<b>Impact/Vibration resistance</b> <small>Note 2)</small>		300/50 m/s <sup>2</sup>	
	<b>Enclosure</b>		Dust proof	
	<b>Electrical entry</b>		DIN terminal (D)	
Electrical specifications	<b>Rated voltage</b>	AC	100V, 110V, 200V, 220V, 240V	
		DC	6V, 12V, 24V, 48V	
	<b>Allowable voltage fluctuation</b>		±10% of rated voltage	
	<b>Apparent power (AC)</b>	<b>Standard</b>	<b>Starting</b>	9.5VA/50Hz, 8VA/60Hz
			<b>Holding</b>	7VA/50Hz, 5VA/60Hz
		<b>Long loading time</b>	<b>Starting</b>	3.5VA/50Hz, 3.3VA/60Hz
			<b>Holding</b>	3VA/50Hz, 2.8VA/60Hz
	<b>Power consumption (DC)</b>	<b>Without light</b>	4W (standard), 2W (low power consumption type)	
		<b>With light</b>	4.3W (standard), 2.3W (low power consumption type)	
	<b>Surge voltage suppressor</b>	AC	Varistor	
DC		Diode (varistor for 12VDC or less)		
<b>Indicator light</b>	AC	Neon bulb		
	DC	LED		

Note 1) Based on JIS B8374-1981 dynamic performance test. (coil temperature 20°C, at rated voltage, without surge voltage suppressor)

\* When equipped with DC solenoid/surge voltage suppressor, a delay of about 20 to 30msec occurs in the OFF response time.

Note 2) Impact resistance: No malfunction when tested with a drop tester in the axial direction and at right angles to the main valve and armature, one time each in both an energized and de-energized state. (initial value)  
Vibration resistance: No malfunction when tested with one sweep of 8.3 to 2000Hz in the axial direction and at right angles to the main valve and armature, one time each in both an energized and de-energized state. (initial value.)

## Construction



## Parts list

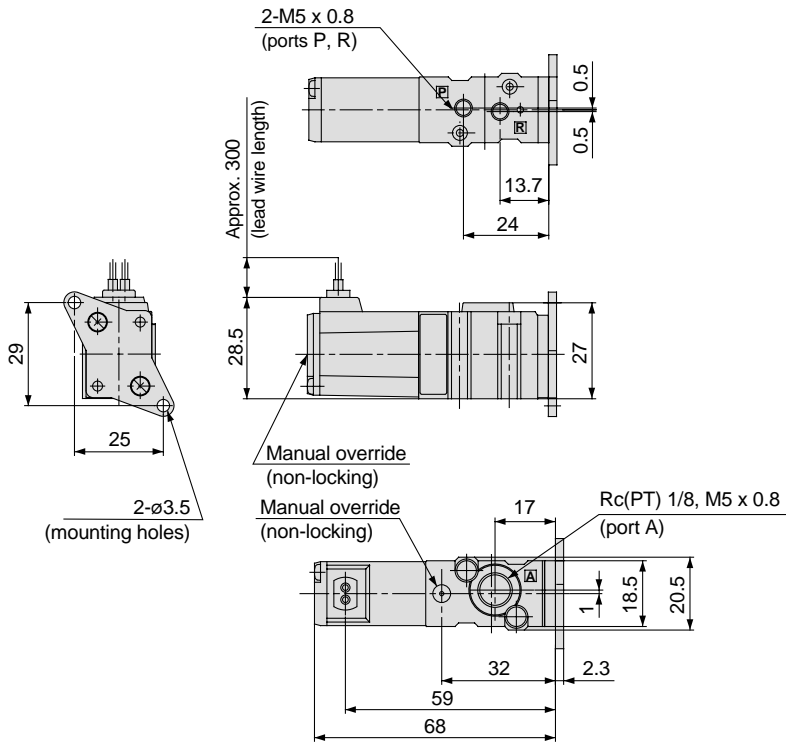
No.	Description	Material	Note
1	Solenoid coil assembly	-	
2	Sub plate	Die-cast aluminium	For VKF334: VKF300-S-F or M <sup>5</sup> <sub>01</sub>
3	Body	Die-cast aluminium	
4	Spool/Sleeve	Aluminium	
5	Manual override	Resin	
6	Return spring	Stainless steel	
7	Bracket assembly	Steel	For VKF332: VKF300-13A-2
8	Gasket assembly (with mounting screw)	-	For VKF333: VKF300-11A-2 For VKF334: VKF300-11A-1
9	Bushing assembly	Resin	For VKF33 <sup>3</sup> : VKF300-6A-1 2 sets per unit required

# 3 Port Direct Operated Poppet *Series VKF300*

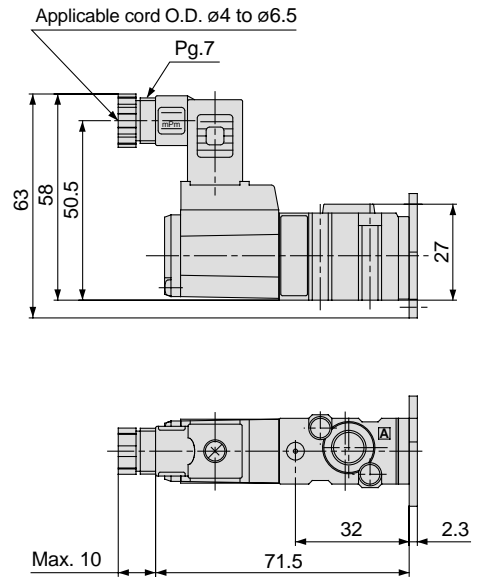
## Dimensions/Single Type

### Body ported type

Grommet: VKF332□-□G-M5<sub>01</sub>



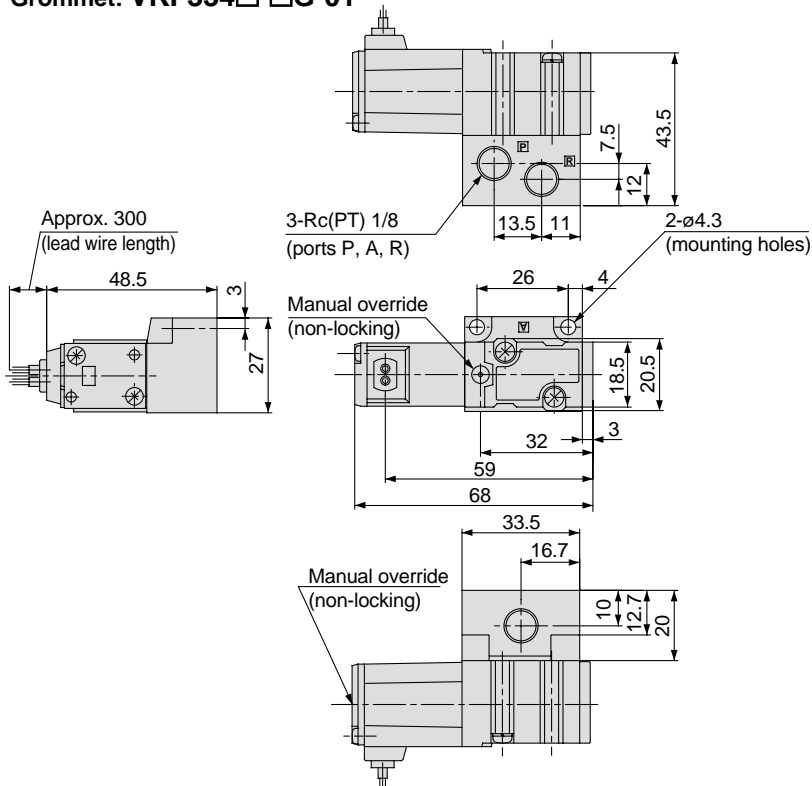
DIN terminal: VKF332□-□D-M5<sub>01</sub>



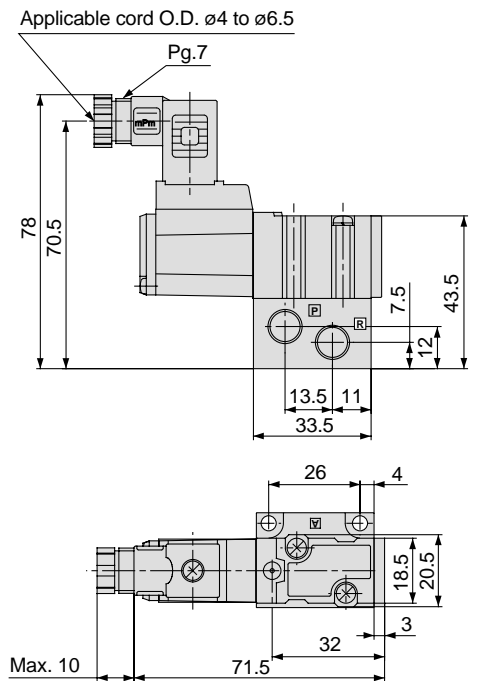
See grommet type for other dimensions.

### Base mounted type

Grommet: VKF334□-□G-01



DIN terminal: VKF334□-□D-01



See grommet type for other dimensions.

# Series VKF300

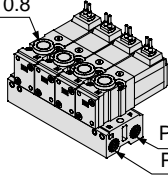
## How to Order Manifolds

### Body Ported Type

#### Common SUP, Common EXH

Type 20/for body ported type  
(Port A top ported)

Port A:  
Rc(PT) 1/8, M5 x 0.8



Port P: Rc(PT) 1/8  
Port R: Rc(PT) 1/8

How to Order

VV3KF3-20 — 05 — [ ]

Valve stations

01	1 station
⋮	⋮
20	20 stations

Option

Nil	None
F	With bracket (not mounted)

Applicable solenoid valves  
VKF333□-□□□-M5  
VKF333□-□□□-01

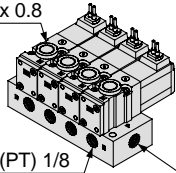
Applicable blanking plate assembly  
VK300-42-1A

Bracket  
VK300-43-1A

#### Common SUP, Individual EXH

Type 21/for body ported type  
(Port A top ported)

Port A:  
Rc(PT) 1/8, M5 x 0.8



Port R: Rc(PT) 1/8  
Port P: Rc(PT) 1/8

How to Order

VV3KF3-21 — 05 — [ ]

Valve stations

01	1 station
⋮	⋮
20	20 stations

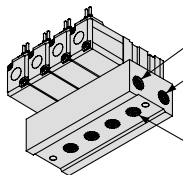
Applicable solenoid valves  
VKF333□-□□□-M5  
VKF333□-□□□-01

Applicable blanking plate assembly  
VK300-42-1A

### Base Mounted Type

#### Common SUP, Common EXH

Type 40/for base mounted type  
(Port A bottom ported)



Port P: Rc(PT) 1/8  
Port R: Rc(PT) 1/8  
Port A: Rc(PT) 1/8

How to Order

VV3KF3-40 — 05 — 01 — [ ]

Valve stations

01	1 station
⋮	⋮
20	20 stations

Option

Nil	None
F	With bracket (not mounted)

Port size

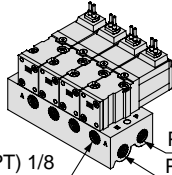
01	Rc(PT) 1/8
----	------------

Applicable solenoid valves  
VKF334□-□□□

Applicable blanking plate assembly  
VK300-42-1A

Bracket  
VK300-43-1A

Type 42/for base mounted type  
(Port A side ported)



Port A: Rc(PT) 1/8  
Port P: Rc(PT) 1/8  
Port R: Rc(PT) 1/8

How to Order

VV3KF3 — [ ] 42 — 05 — 01

Solenoid direction

Nil	Solenoid on side opposite port A
S	Solenoid on same side as port A

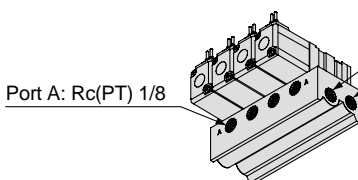
Port size

01	Rc(PT) 1/8
C4	ø4 cassette
C6	ø6 cassette

Applicable solenoid valves  
VKF334□-□□□

Applicable blanking plate assembly  
VK300-42-1A

Type S42 (solenoid on same side as port A)



Port A: Rc(PT) 1/8  
Port P: Rc(PT) 1/8  
Port R: Rc(PT) 1/8

Valve stations

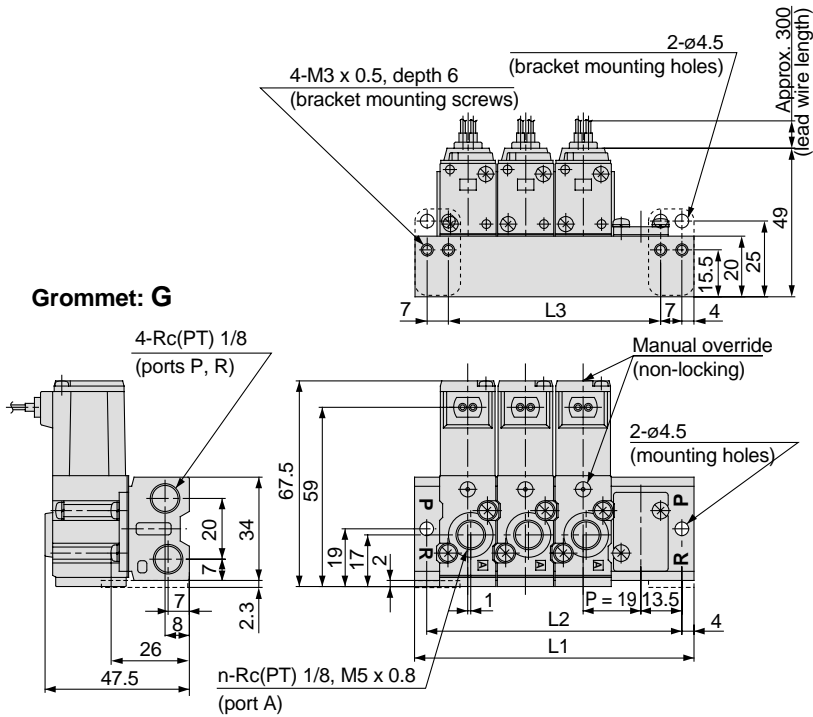
01	1 station
⋮	⋮
20	20 stations

# 3 Port Direct Operated Poppet *Series VKF300*

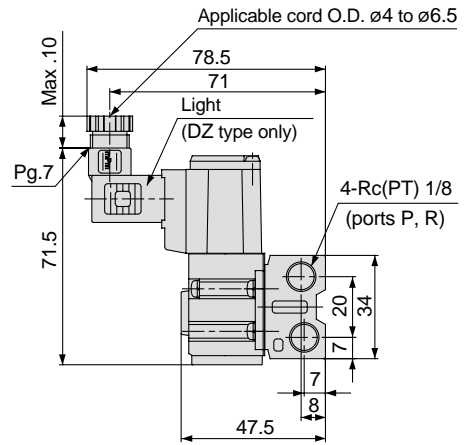
## Dimensions/Manifolds

### Body Ported Type

#### Type 20 Manifold Common SUP, Common EXH/Top Ported



#### DIN terminal: D

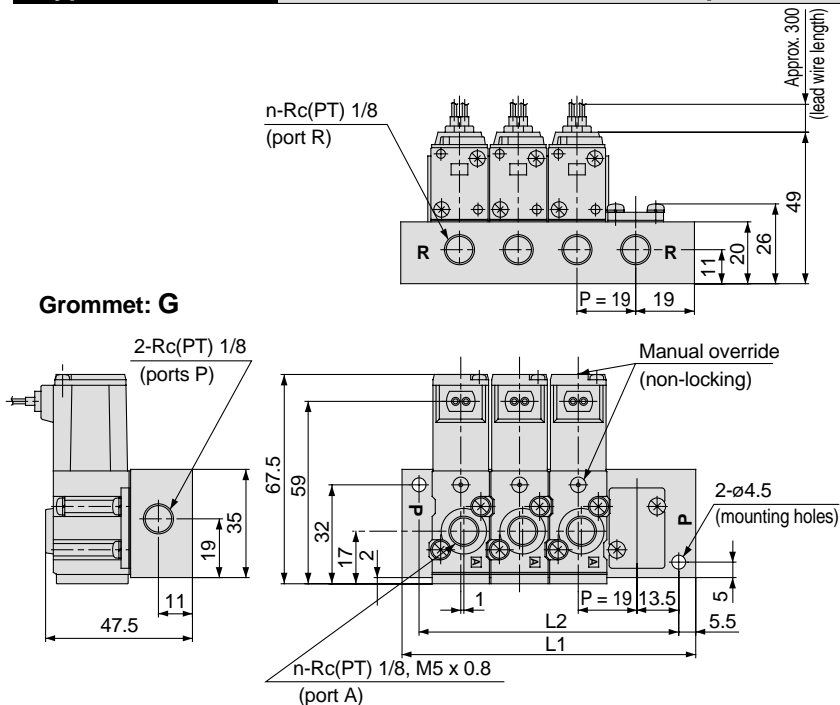


L: Dimension table

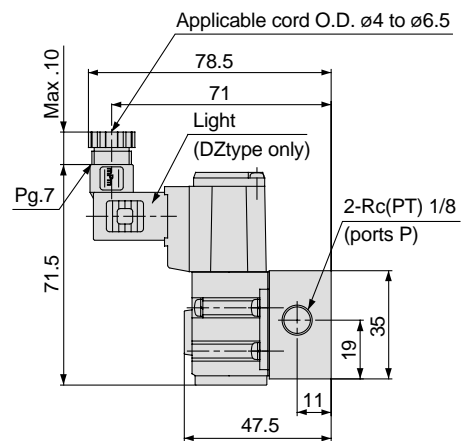
n: Stations

L \ n	1	2	3	4	5	6	7	8	9	10	11	12	13	14	15	16	17	18	19	20
L1	35	54	73	92	111	130	149	168	187	206	225	244	263	282	301	320	339	358	377	396
L2	27	46	65	84	103	122	141	160	179	198	217	236	255	274	293	312	331	350	369	388
L3	13	32	51	70	89	108	127	146	165	184	203	222	241	260	279	298	317	336	355	374

#### Type 21 Manifold Common SUP, Individual EXH/Top Ported



#### DIN terminal: D



L: Dimension table

n: Stations

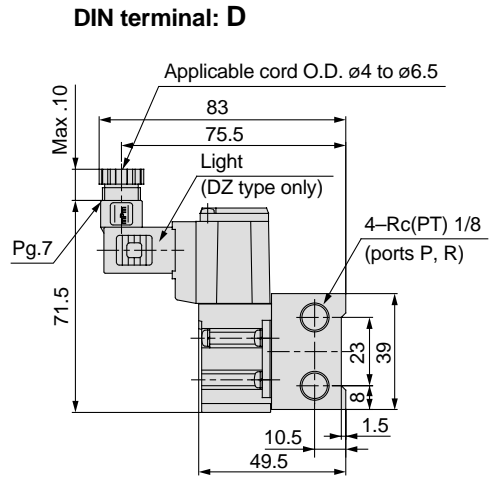
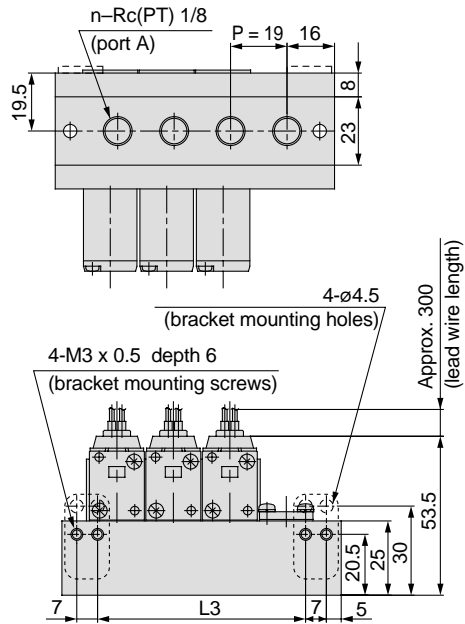
L \ n	1	2	3	4	5	6	7	8	9	10	11	12	13	14	15	16	17	18	19	20
L1	38	57	76	95	114	133	152	171	190	209	228	247	266	285	304	323	342	361	380	399
L2	27	46	65	84	103	122	141	160	179	198	217	236	255	274	293	312	331	350	369	388

# Series VKF300

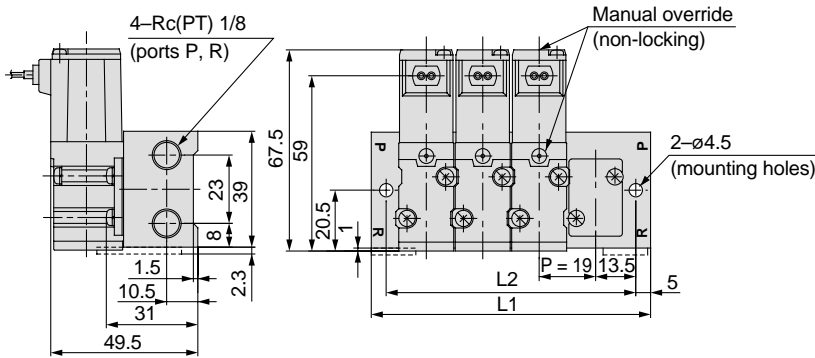
## Dimensions/Manifolds

### Base Mounted Type

#### Type 40 Manifold Common SUP, Common EXH/Bottom Ported



### Grommet: G



L: Dimension table

n: Stations

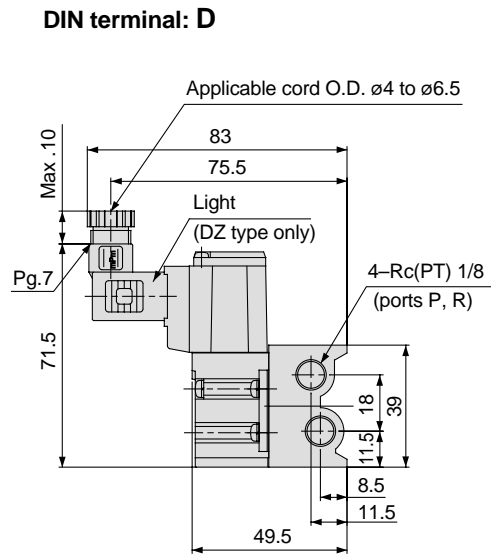
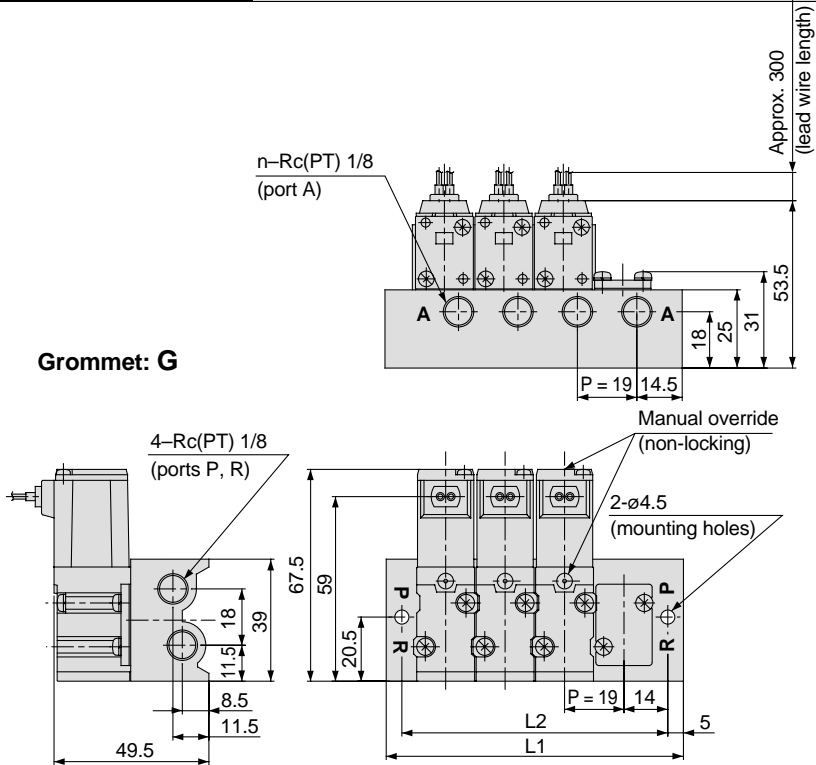
L \ n	1	2	3	4	5	6	7	8	9	10	11	12	13	14	15	16	17	18	19	20
L1	37	56	75	94	113	132	151	170	189	208	227	246	265	284	303	322	341	360	379	398
L2	27	46	65	84	103	122	141	160	179	198	217	236	255	274	293	312	331	350	369	388
L3	13	32	51	70	89	108	127	146	165	184	203	222	241	260	279	298	317	336	355	374



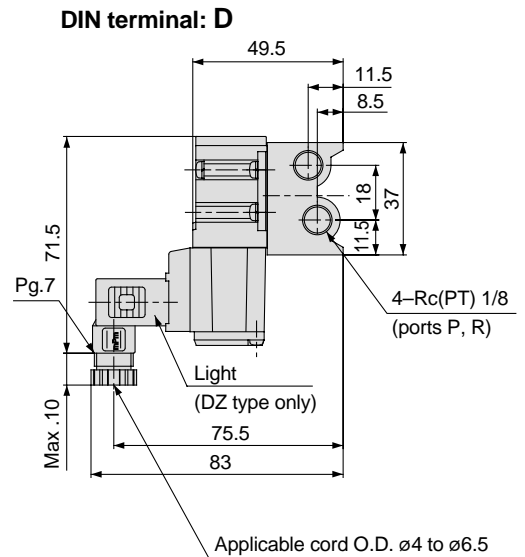
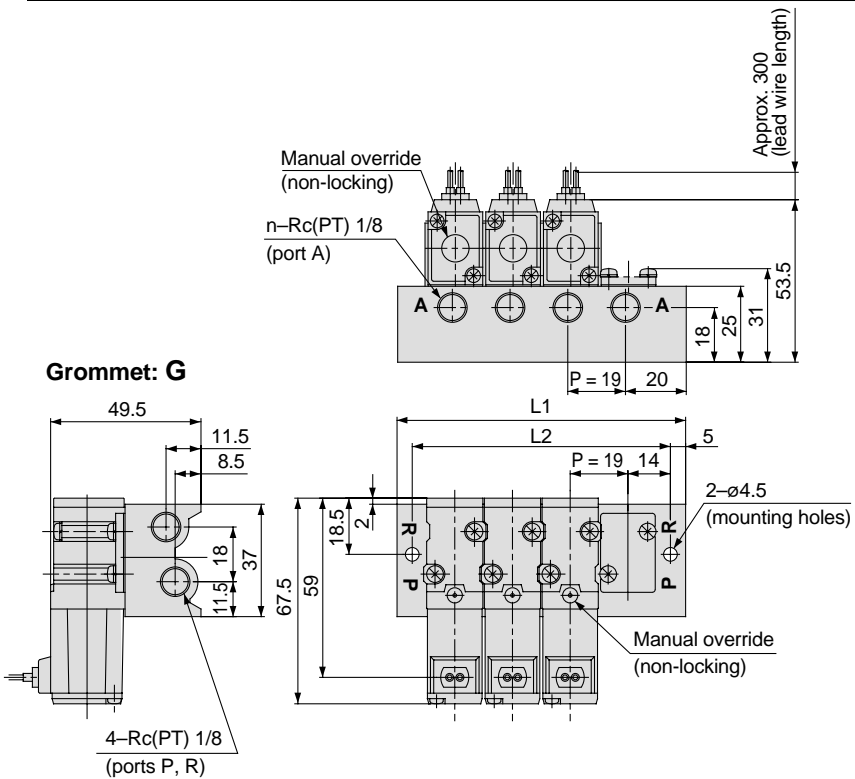
# 3 Port Direct Operated Poppet *Series VKF300*

## Base Mounted Type

### Type 42 Manifold    Common SUP, Common EXH/Side Ported



### Type S42 Manifold    Common SUP, Common EXH/Side Ported: Same direction as solenoid



L: Dimension table

L \ n	1	2	3	4	5	6	7	8	9	10	11	12	13	14	15	16	17	18	19	20
L1	38	57	76	95	114	133	152	171	190	209	228	247	266	285	304	323	342	361	380	399
L2	28	47	66	85	104	123	142	161	180	199	218	237	256	275	294	313	332	351	370	389


n: Stations





*Series VKF300*

# Safety Instructions

These safety instructions are intended to prevent a hazardous situation and/or equipment damage. These instructions indicate the level of potential hazard by a label of "**Caution**", "**Warning**" or "**Danger**". To ensure safety, be sure to observe ISO 4414 Note 1), JIS B 8370 Note 2) and other safety practices.

 **Caution** : Operator error could result in injury or equipment damage.

 **Warning** : Operator error could result in serious injury or loss of life.

 **Danger** : In extreme conditions, there is a possible result of serious injury or loss of life.

Note 1) ISO 4414 : Pneumatic fluid power – Recommendations for the application of equipment to transmission and control systems.

Note 2) JIS B 8370 : Pneumatic system axiom.

## **Warning**

### **1. The compatibility of pneumatic equipment is the responsibility of the person who designs the pneumatic system or decides its specifications.**

Since the products specified here are used in various operating conditions, their compatibility for the specific pneumatic system must be based on specifications or after analysis and/or tests to meet your specific requirements.

### **2. Only trained personnel should operate pneumatically operated machinery and equipment.**

Compressed air can be dangerous if an operator is unfamiliar with it. Assembly, handling or repair of pneumatic systems should be performed by trained and experienced operators.

### **3. Do not service machinery/equipment or attempt to remove components until safety is confirmed.**

1. Inspection and maintenance of machinery/equipment should only be performed after confirmation of safe locked-out control positions.
2. When equipment is to be removed, confirm the safety process as mentioned above. Cut the supply pressure for this equipment and exhaust all residual compressed air in the system.
3. Before machinery/equipment is restarted, take measures to prevent shooting-out of cylinder piston rod, etc. (Bleed air into the system gradually to create back-pressure.)

### **4. Contact SMC if the product is to be used in any of the following conditions:**

1. Conditions and environments beyond the given specifications, or if product is used outdoors.
2. Installation on equipment in conjunction with atomic energy, railway, air navigation, vehicles, medical equipment, food and beverages, recreation equipment, emergency stop circuits, press applications, or safety equipment.
3. An application which has the possibility of having negative effects on people, property, or animals, requiring special safety analysis.



## Series VKF300

# 3 Port Solenoid Valve/Precautions 1

Be sure to read before handling.

### Precautions on Design

#### Warning

##### 1. Actuator drive

When an actuator, such as a cylinder, is to be driven using a valve, take appropriate measures to prevent potential danger caused by actuator operation.

##### 2. Effect of back pressure when using a manifold

Use caution when valves are used on a manifold, as actuator malfunction due to back-pressure may occur. Implement countermeasures in cases where there is a danger of this kind of malfunction.

##### 3. Pressure

Since valves are subject to air leakage, they cannot be used for applications such as holding pressure in a pressure vessel.

Moreover, when used for vacuum, use type m.

##### 4. Cannot be used as an emergency shutoff valve, etc.

The valves presented in this catalog are not designed for safety applications such as an emergency shutoff valve. If the valves are used in this type of system, other reliable safety assurance measures should also be adopted.

##### 5. Maintenance space

The installation should allow sufficient space for maintenance activities.

##### 6. Release of residual pressure

Provide a residual pressure release function for maintenance purposes.

##### 7. Vacuum applications

When a valve is used for vacuum switching, etc., take measures against the suction of external dust or other contaminants from vacuum pads and exhaust ports, etc.

### Selection

#### Warning

##### 1. Confirm the specifications.

The products presented in this catalog are designed only for use in compressed air systems. Do not operate at pressures or temperatures, etc. beyond the range of specifications, as this can cause damage or malfunction. (Refer to specifications.)

Contact SMC when using a fluid other than compressed air.

##### 2. Long continuous loading time

When power will be applied continuously for extended periods of time, use type VKF330E. However, it cannot be used with high frequency. Contact SMC if it will be operated more than once a day.

##### 3. Be sure to perform switching at least once every 30 days.

#### Caution

##### 1. Leakage voltage

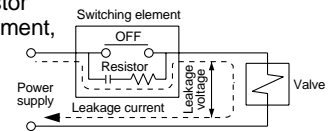
Particularly when using a resistor in parallel with a switching element, take note that leakage voltage will increase due to leakage current flowing through the resistor.

Limit the amount of residual

leakage voltage to the following values.

For AC coil: 20% or less of rated voltage

For DC coil: 2% or less of rated voltage



##### 2. Low temperature operation

Operation is possible to  $-10^{\circ}\text{C}$ , but measures should be taken to avoid solidification or freezing of drainage and moisture, etc.

##### 3. Mounting orientation

The mounting orientation is unrestricted.

### Mounting

#### Warning

##### 1. If air leakage increases or equipment does not operate properly, stop operation of the valve.

At the time of mounting and maintenance, etc., connect the compressed air and power supplies, and perform appropriate function and leakage inspections to confirm that the unit is mounted properly.

##### 2. Instruction manual

Mount and operate the product after reading the manual carefully and understanding its contents. Also keep the manual where it can be referred to as necessary.

##### 3. Painting and coating

Warnings or specifications printed or pasted on the product should not be erased, removed or covered up.



## Series VKF300

# 3 Port Solenoid Valve/Precautions 2

Be sure to read before handling.

### Piping

#### ⚠ Caution

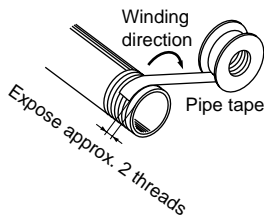
##### 1. Preparation before piping

Before piping is connected, it should be thoroughly blown out with air (flushing) or washed to remove cutting chips, cutting oil and other debris from inside the pipe.

##### 2. Wrapping of pipe tape

When connecting pipes and fittings, etc., be sure that cutting chips from the pipe threads and sealing material do not get inside the valve.

Further, when pipe tape is used, leave 1.5 to 2 thread ridges exposed at the end of the pipe/fitting.



##### 3. Always fasten threads with the proper tightening torque.

When screwing fittings into valves, fasten with the proper tightening torques as shown below.

##### Tightening torque for piping

Connection threads	Proper tightening torque N·m {kgf·cm}
M5	1.5 to 2 {15 to 20}
Rc(PT) 1/8	7 to 9 {71 to 92}

Reference:

Tightening into the M5 fitting threads

After tightening by hand, tighten about 1/6 of a turn further using a tightening tool. (In the case of universal elbows and universal tees, etc., which have gaskets in 2 places, tighten by an additional 1/2 turn.)

##### 4. Connection of piping to products

When connecting piping to a product, refer to its instruction manual to avoid mistakes regarding the supply port, etc.

### Wiring

#### ⚠ Caution

##### 1. Polarity

When connecting power to a DC specification solenoid valve equipped with light/surge voltage suppressor, confirm whether or not there is polarity.

If there is polarity, take note of the following points.

- Without AC and DC light/surge suppressor: Non-polar type
- With DC light/surge suppressor:

If a mistake is made regarding polarity, it will not be possible to switch the valve.

##### 2. Applied voltage

When electric power is connected to the solenoid valve, be careful to apply the proper voltage. Improper voltage may cause malfunction or coil damage.

##### 3. Confirm the connections.

After completing the wiring, confirm that the connections are correct.

### Lubrication

#### ⚠ Caution

##### 1. Lubrication

1) The valve has been lubricated for life at the factory, and does not require any further lubrication.

2) In the event that it is lubricated, use Class 1 turbine oil (without additives), ISO VG32.

However, once lubrication is applied it must be continued, as the original lubricant may be eliminated leading to malfunction.

### Air Supply

#### ⚠ Warning

##### 1. Use clean air.

Do not use compressed air which contains chemicals, synthetic oils containing organic solvents, salts or corrosive gases, etc., as this can cause damage or malfunction.

#### ⚠ Caution

##### 1. Install air filters.

Install air filters close to valves at their upstream side. A filtration degree of 5µm or less should be selected.

##### 2. Install an air dryer, after cooler, etc.

Air that includes excessive condensate may cause malfunction of valves and other pneumatic equipment. To prevent this, install an air dryer or after cooler etc..

##### 3. If excessive carbon dust is generated, eliminate it by installing mist separators at the upstream side of valves.

If excessive carbon dust is generated by the compressor, it may adhere to the inside of valves and cause malfunction.

Refer to SMC's "Air Cleaning Equipment" catalog for further details on compressed air quality.



## Series VKF300

# 3 Port Solenoid Valve/Precautions 3

Be sure to read before handling.

### Operating Environment

#### ⚠ Warning

1. Do not use valves in atmospheres of corrosive gases, chemicals, salt water, water or steam, or where there is direct contact with same.
2. Do not use in an explosive atmosphere.
3. Do not use in locations subject to vibration or impact.
4. A protective cover, etc. should be used to shield valves from direct sunlight.
5. Shield valves from radiated heat generated by nearby heat sources.
6. Employ suitable protective measures in locations where there is contact with water droplets, oil or welding spatter, etc.
7. When solenoid valves are mounted in a control panel or are energized for extended periods of time, employ measures to radiate excess heat, so that temperatures remain within the valve specification range.

### Maintenance

#### ⚠ Warning

1. Perform maintenance procedures as shown in the instruction manual.

If handled improperly, malfunction or damage of machinery or equipment may occur.

2. Removal of equipment maintenance and supply/exhaust of compressed air

When equipment is removed, first confirm that measures are in place to prevent dropping of work pieces and run-away of equipment, etc. Then cut the supply pressure and power, and exhaust all compressed air from the system using its residual pressure release function.

When the equipment is to be started again after remounting or replacement, first confirm that measures are in place to prevent lurching of actuators, etc., and then confirm that the equipment is operating normally.

3. Low frequency operation

Valves should be switched at least once every 30 days to prevent malfunction. (Use caution regarding the air supply.)

4. Manual override operation

When the manual override is operated, connected equipment will be actuated. Confirm safety before operating.

### Maintenance

#### ⚠ Caution

1. Drain flushing

Remove condensate from air filters regularly. (Refer to specifications.)

2. Lubrication

Once lubrication is applied, it must be continued.

Lubricate with class 1 turbine oil (without additives) VG32. If any other lubricant is used, malfunction or other trouble may occur.

Contact SMC regarding class 2 turbine oil (with additives) VG32.

#### How to Find the Flow Rate (at air temperature of 20°C)

Subsonic flow when  $P_1 + 0.1013 < 1.89 (P_2 + 0.1013)$

$$Q = 226S \sqrt{\Delta P (P_2 + 0.1013)}$$

Sonic flow when  $P_1 + 0.1013 \geq 1.89 (P_2 + 0.1013)$

$$Q = 113S (P_1 + 0.1013)$$

Q: Air flow rate [l/min(ANR)]

S: Effective area (mm<sup>2</sup>)

ΔP: Pressure drop (P<sub>1</sub>-P<sub>2</sub>) [MPa]

P<sub>1</sub>: Upstream pressure [MPa]

P<sub>2</sub>: Downstream pressure [MPa]

\* Correction for different air temperatures

Multiply the flow rate calculated with the above formula by a coefficient from the table below.

Air temperature (°C)	-20	-10	0	10	30	40	50	60
Correction coefficient	1.08	1.06	1.04	1.02	0.98	0.97	0.95	0.94



# Series VKF300 Specific Product Precautions

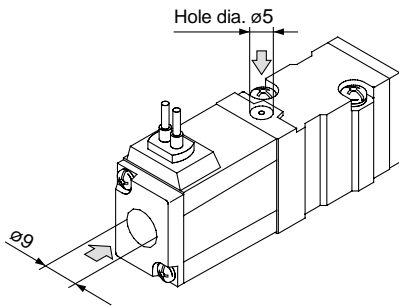
Be sure to read before handling.  
Refer to pages 8 through 11 for safety instructions and precautions.

## Manual Override Operation

### Warning

Since connected equipment will be actuated when manual override operation is performed, first confirm that conditions are safe.

■ Non-locking push type (tool required)



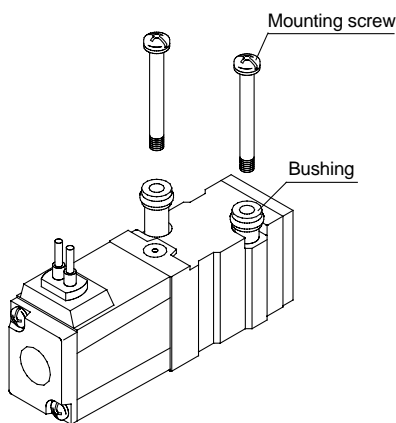
There are manual overrides in 2 directions, on the top and on the side (solenoid side). By pressing either of the manual overrides in the direction of the arrow (→) until it stops (approx. 1mm), it will turn ON, and it turns OFF when released.

## Mounting of Valves

### Caution

After confirming the installation of the gaskets, securely tighten the screws to the tightening torque shown in the table below.

Proper tightening torque N·m [kgf·cm]
0.6 to 0.8 [6 to 8]



The bushing may be damaged if the tightening torque of 0.8N·m is exceeded. In the event that damage does occur, be sure to replace the bushing.

Bushing assembly part no.	VKF300-6A-1
---------------------------	-------------

• 2 sets per unit are required.

## Light/Surge Voltage Suppressor

### Caution

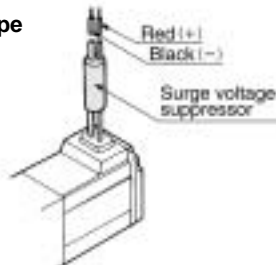
	Grommet type (G)	DIN terminal (D)	Part No. symbol
AC	Without light	None	No.1 No.2 Varistor Coil S
	With light	None	No.1 Neon bulb No.2 Varistor Coil Z
12 VDC or less	Without light	Varistor Coil	No.1 No.2 Varistor Coil S
	With light	None	No.1 LED No.2 Varistor Coil Z
24 VDC or more	Without light	(+) Red Diode (-) Black	No.1 (+) Diode No.2 (-) Coil S
	With light	None	No.1 (+) LED No.2 (-) Diode Coil Z

### Precautions on connection of 24V or more DC

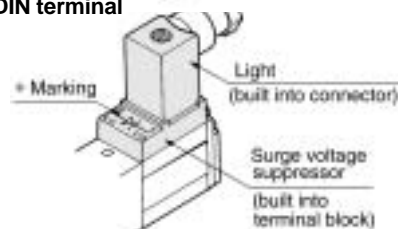
For the grommet type, connect the positive (+) side to the red lead wire and connect the negative (-) side to the black lead wire. For the DIN terminal, connect the positive (+) side to the connector's No.1 terminal and connect the negative (-) side to the No.2 terminal. (See the markings on the terminal block.)

\* For 12V or less DC, positive (+) and negative (-) can be connected in either direction.

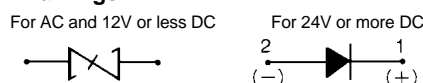
#### • Grommet type



#### • DIN terminal



#### \* Markings



## Use of the DIN Connector

### Caution

#### • Connection procedure

1. Loosen the holding screw, and pull the connector out of the solenoid valve terminal block.
2. After removing the holding screw, insert a flat head screw driver, etc. into the notch on the bottom of the terminal block and pry it up, separating the terminal block and the housing.
3. Loosen the terminal screws (slotted screws) on the terminal block, insert the core of the lead wire into the terminal in accordance with the prescribed connection method, and attach securely with the terminal screws.
4. Fasten the cord by screwing in the ground nut.

#### • Cord entry changing procedure

After separating the terminal block and housing, the cord entry direction can be changed by attaching the housing in the desired direction (4 directions in 90° increments).

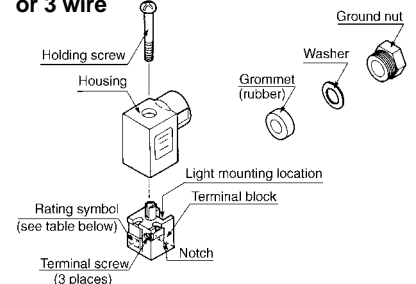
\* When equipped with light, handle with care so that the light is not damaged by the cord's lead wires, etc.

#### • Precautions

The connector should be inserted and pulled out in a straight line without tilting diagonally.

#### • Compatible cables

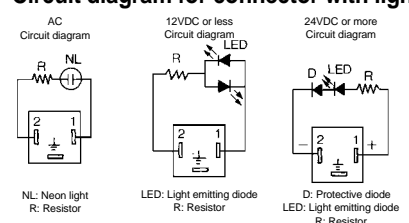
Cord outside diameter:  $\varnothing 4$  to  $\varnothing 6.5$   
(Reference)  
0.5mm<sup>2</sup> equivalent to JISC3306, 2 wire or 3 wire



#### • Connector part no.: VK300-37-1 • Part No. for connector with light

Rated voltage	Rating symbol	Part No.
100VAC	A1	VK300-37-2-01
200VAC	A2	VK300-37-2-02
240VAC	A3	VK300-37-2-07
6VDC	LW06	VK300-37-4-51
12VDC	LW2	VK300-37-4-06
24VDC	LD4	VK300-37-3-05
48VDC	LD8	VK300-37-3-53

#### • Circuit diagram for connector with light





**Austria**

SMC Pneumatik GmbH (Austria).  
Girakstrasse 8, A-2100 Körneuburg  
Phone: 02262-62280, Fax: 02262-62285

**Belgium**

SMC Pneumatics N.V./S.A.  
Nijverheidsstraat 20, B-2160 Wommelgem  
Phone: 03-355-1464, Fax: 03-355-1466

**Czech**

SMC Czech.s.r.o.  
Kodanska 46, CZ-100 10 Prague 10  
Phone: 02-67154 790, Fax: 02-67154 793

**Denmark**

SMC Pneumatik A/S  
Jens Juuls vej 32, DK-8260 Viby J  
Phone: 45-70252900, Fax: 45-70252901

**Estonia**

Teknoma Eesti AS  
Mustamäe tee 5, EE-0006 Tallinn, Estonia  
Phone: 259530, Fax: 259531

**Finland**

SMC Pneumatikka OY  
Veneentekijäntie 7, SF-00210 Helsinki  
Phone: 09-681021, Fax: 09-6810233

**France**

SMC Pneumatique, S.A.  
1, Boulevard de Strasbourg, Parc Gustave Eiffel  
Bussy Saint Georges  
F-77607 Marne La Vallée Cedex 3  
Phone: 01-6476 1000, Fax: 01-6476 1010

**Germany**

SMC Pneumatik GmbH  
Boschring 13-15, D-63329 Egelsbach  
Phone: 06103-4020, Fax: 06103-402139

**Greece**

S. Parianopoulos S.A.  
9, Konstantinoupoleos Street,  
GR-11855 Athens  
Phone: 01-3426076, Fax: 01-3455578

**Hungary**

SMC Hungary Kft.  
Budafoki ut 107-113, 1117 Budapest  
Phone: 01-204 4366, Fax: 01-204 4371

**Ireland**

SMC Pneumatics (Ireland) Ltd.  
2002 Citywest Business Campus,  
Naas Road, Saggart, Co. Dublin  
Phone: 01-403 9000, Fax: 01-464 0500

**Italy**

SMC Italia S.p.A  
Via Garibaldi 62, I-20061 Carugate, (Milano)  
Phone: 02-92711, Fax: 02-92150394

**Latvia**

Ottensten Latvia SIA  
Ciekurkalna Prima Gara Linija 11,  
LV-1026 Riga, Latvia  
Phone: 371-23-68625, Fax: 371-75-56748

**Lithuania**

UAB Ottensten Lietuva  
Savanoriu pr.180, LT-2600 Vilnius, Lithuania  
Phone/Fax: 370-2651602

**Netherlands**

SMC Controls BV  
De Ruyterkade 120, NL-1011 AB Amsterdam  
Phone: 020-5318888, Fax: 020-5318880

**Norway**

SMC Pneumatics (Norway) A/S  
Wollseien 13 C, granfoss Nøeringspark  
N-134 Lysaker, Norway  
Phone: 22 99 6036, Fax: 22 99 6103

**Poland**

Semac Co., Ltd.  
PL-05-075 Wesola k/Warszaway, ul. Wspolna 1A  
Phone: 022-6131847, Fax: 022-613-3028

**Portugal**

SMC España (Sucursal Portugal), S.A.  
Rua de Engº Ferreira Dias 452, 4100 Porto  
Phone: 02-610-89-22, Fax: 02-610-89-36

**Romania**

SMC Romania srl  
Vasile Stroescu 19, Sector 2, Bucharest  
Phone: 01-210-1354, Fax: 01-210-1680

**Russia**

SMC Pneumatik LLC  
Centrako Business Centre 103,  
Bolshoy Prospect V.O., 199106 St. Petersburg  
Phone: 812-1195131, Fax: 812-1195129

**Slovakia**

SMC Slovakia s.r.o.  
Pribinova ul. C. 25, 819 02 Bratislava  
Phone: 0-563 3548, Fax: 07-563 3551

**Slovenia**

SMC Slovenia d.o.o.  
Grajski trg 15, 8360 Zuzemberk  
Phone: 068-88 044 Fax: 068-88 041

**Spain**

SMC España, S.A.  
Zuazobidea 14, Pol. Ind. Jundiz,  
E-01015 Vitoria  
Phone: 945-184 100, Fax: 945-184 124

**Sweden**

SMC Pneumatics Sweden A.B.  
Ekhagsvägen 29-31, S-14105 Huddinge  
Phone: 08-603 07 00, Fax: 08-603 07 10

**Switzerland**

SMC Pneumatik AG  
Dorfstrasse 7, CH-8484 Weisslingen  
Phone: 052-396-3131, Fax: 052-396-3191

**Turkey**

Entek Pnömatik San. ve Tic Ltd. Sti.  
Perpa Tic. Merkezi Kat: 11 No: 1625,  
TR-80270 Okmeydanı Istanbul  
Phone: 0212-221-1512, Fax: 0212-220-2381

**UK**

SMC Pneumatics (UK) Ltd  
Vincent Avenue, Crownhill,  
Milton Keynes, MK8 0AN  
Phone: 01908-563888 Fax: 01908-561185

**OTHER SUBSIDIARIES WORLDWIDE:**

ARGENTINA, AUSTRALIA, BOLIVIA, BRASIL, CANADA, CHILE, CHINA, HONG KONG, INDIA, MALAYSIA, MEXICO, NEW ZEALAND, PHILIPPINES, SINGAPORE, SOUTH KOREA, TAIWAN, THAILANDIA, USA, VENEZUELA

*For more information, please contact your local SMC Regional Centre*

**SMC UK Regional Centres****BELFAST**

Tel:01232 778414 Fax:01232 778422  
SMC Pneumatics (UK) Ltd  
Northern Ireland Regional Centre  
Suite 3, Shaftesbury House, Edgewater Road  
Belfast  
BT3 9JQ

**BIRMINGHAM**

Tel:01675 467177 Fax:01675 465073  
SMC Pneumatics (UK) Ltd  
Birmingham Regional Centre  
24 The Courtyard, Gorsej Lane, Coleshill  
Warwickshire  
B46 1JA

**BRISTOL**

Tel:01179 522155 Fax:01179 522186  
SMC Pneumatics (UK) Ltd  
Bristol Regional Centre  
5 East Gate Office Centre  
East Gate Road, Eastville, Bristol  
BS5 6XX

**SMC UK Distributors****Birmingham**

JAMES LISTER  
Tel: 0121 5803800  
Fax: 0121 5535951

**Blackburn**

BLACKBURN PNEUMATIC SYSTEMS LTD  
Tel: 01254 682232  
Fax: 01254 682224

**Bristol**

APPLIED AUTOMATION  
Tel: 0117 9827769  
Fax: 0117 9235522

**CRAWLEY**

Tel:01293 614094 Fax:01293 614135  
SMC Pneumatics (UK) Ltd  
Crawley Regional Centre  
9 Pelham Court, Pelham Place, Broadfield  
Crawley  
RH11 9AZ

**CUMBERNAULD**

Tel:01236 781133 Fax:01236 780611  
SMC Pneumatics (UK) Ltd  
Scottish Regional Centre  
1 Carradale Crescent,  
Broadwood Business Park, Cumbernauld  
Glasgow  
G69 9LE

**DROITWICH**

Tel: 01905 774544 Fax: 01905 797343  
SMC Pneumatics (UK) Ltd  
Droitwich Regional Centre  
Hampton Park, Hampton Lovett  
Droitwich, Worcestershire  
WR9 0NX

**Bury St Edmunds**

PNEUMATIC LINES  
Tel: 01284 706239  
Fax: 01284 761218

**Cardiff**

WALES FLUID POWER  
Tel: 01222 494551  
Fax: 01222 481955

**IPSWICH**

Tel:01473 240040 Fax:01473 747707  
SMC Pneumatics (UK) Ltd  
Ipswich Regional Centre  
Unit 6 & 7, Alpha Business Park  
16-18 Whitehouse Road, Ipswich, Suffolk  
IP1 5LT

**MANCHESTER**

Tel:0161 876 7371 Fax:0161 876 7372  
SMC Pneumatics (UK) Ltd  
Manchester Regional Centre  
3 Modwen Road, Waters Edge Business Park  
Ordsall Lane, Salford, Manchester  
M5 3EZ

**MILTON KEYNES**

Tel: 01908 265247 Fax: 01908 262705  
SMC Pneumatics (UK) Ltd  
Vincent Avenue, Crownhill, Milton Keynes  
MK8 0AN

**East Grinstead**

AUTARKY AUTOMATION  
Tel: 01342 311388  
Fax: 01342 323733

**Newton Aycliffe**

ONCAD AUTOMATION  
Tel: 01325 311599  
Fax: 01325 307562

**NEWCASTLE**

Tel:0191 487 2040 Fax:0191 487 2041  
SMC Pneumatics (UK) Ltd  
Newcastle Regional Centre  
Unit B6, Marquis Court, Marquis Way  
Team Valley Trading Estate, Gateshead  
Tyne & Wear  
NE11 0RU

**POOLE**

Tel:01202 732233 Fax:01202 737743  
SMC Pneumatics (UK) Ltd  
Poole Regional Centre  
Unit 4, Acorn Business Centre, Ling Road  
Poole, Dorset  
BH12 4NZ

**SHEFFIELD**

Tel: 01909 565504 Fax: 01909 569717  
SMC Pneumatics (UK) Ltd  
Sheffield Regional Centre  
Unit 4, North Anston Business Park  
Houghton Road, North Anston, Sheffield  
S31 7JJ

**Plymouth**

APPLIED AUTOMATION  
Tel: 01752 343300  
Fax: 01752 341161

**Redditch**

MULTI-PNEUMATICS  
Tel: 01527 544544  
Fax: 01527 544296