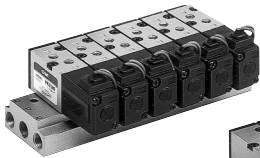


# Series VK3000 Manifold



VV5K3-20-06



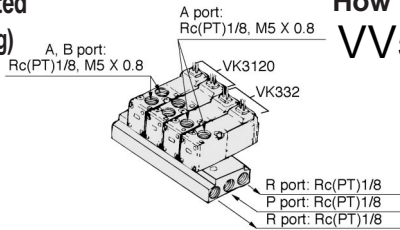
VV5K3-40-06-M5

## Specifications

	Number of valve stations	1 to 20
Piping method	Common SUP, Common EXH	Body ported, Base mounted
	Common SUP, Individual EXH	Body ported

## Common SUP/Common EXH

20 Type/Body ported  
(A, B port top piping)



How to Order

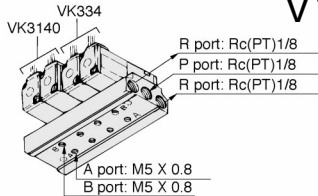
VV5K3-20-05

Stations	
01	1 station
⋮	⋮
20	20 stations

Applicable solenoid valve  
VK3120□-□□□-M5  
VK3120□-□□□-01  
VK332□-□□□-M5  
VK332□-□□□-01

Applicable blank plate assembly  
VK3000-7-1A

40 Type/Base mounted  
(A, B port bottom piping)



How to Order

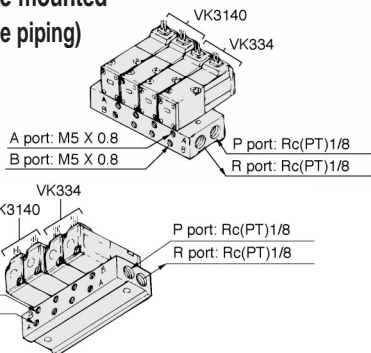
VV5K3-40-05-M5

Stations	
01	1 station
⋮	⋮
20	20 stations

Applicable solenoid valve  
VK3140□-□□□  
VK334□-□□□

Applicable blank plate assembly  
VK3000-7-1A

41 Type/Base mounted  
(A, B port side piping)



How to Order

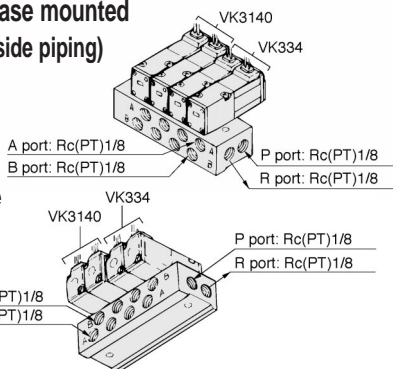
VV5K3-41-05-M5

Solenoid position	Stations	Port size
—	01 1 station ⋮ 20 20 stations	M5 M5 X 0.8 C4 ø4 cassette
S		

Applicable solenoid valve  
VK3140□-□□□  
VK334□-□□□

Applicable blank plate assembly  
VK3000-7-1A

42 Type/Base mounted  
(A, B port side piping)



How to Order

VV5K3-42-05-01

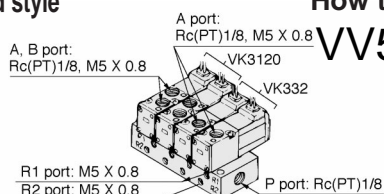
Solenoid position	Stations	Port size
—	01 1 station ⋮ 20 20 stations	01 Rc(PT) 1/8 C6 ø6 cassette
S		

Applicable solenoid valve  
VK3140□-□□□  
VK334□-□□□

Applicable blank plate assembly  
VK3000-7-1A

## Common SUP/Individual EXH

21 Type/Body ported style  
(A, B port top piping)



How to Order

VV5K3-21-05

Stations	
01	1 station
⋮	⋮
20	20 stations

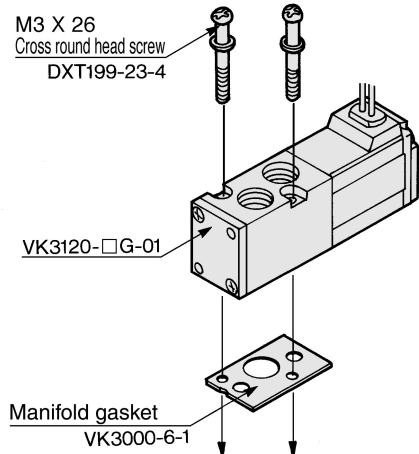
Applicable solenoid valve  
VK3120□-□□□-M5  
VK3120□-□□□-01  
VK332□-□□□-M5  
VK332□-□□□-01

Applicable blank plate assembly  
VK3000-7-1A

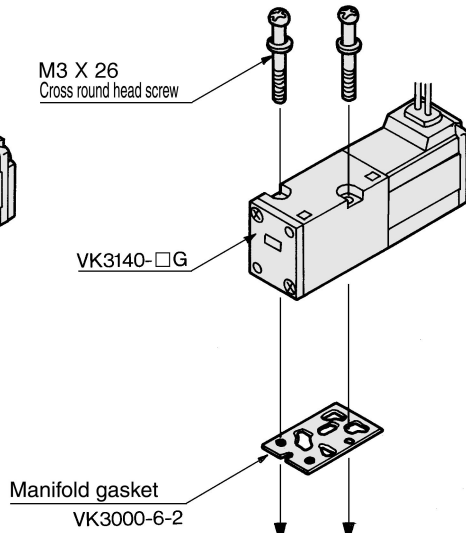
- SY
- SYJ
- SX
- VK
- VZ
- VF
- VFR
- VP7
- VP4
- VQ
- VQ4
- VQZ
- VQD
- VZS
- VFS
- VS
- VS7

# VK3000

## Combination of Solenoid Valve, Manifold Gasket and Manifold Base



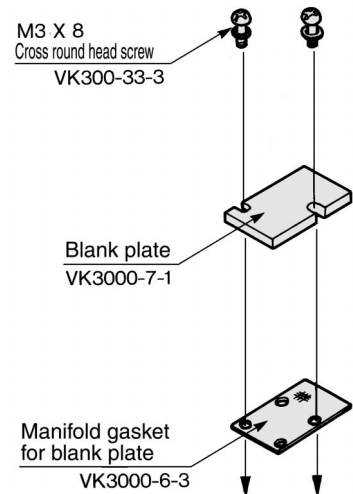
**Applicable base**  
 VV5K3-20 } Manifold base  
 VV5K3-21 }



**Applicable base**  
 VK3000-9-1 } Sub-plate  
 VV5K3-40 } Manifold base  
 VV5K3-(S)41 }  
 VV5K3-(S)42 }

## Combination of Blank Plate Ass'y and Manifold Base

**Blank plate ass'y:**  
 VK3000-7-1A

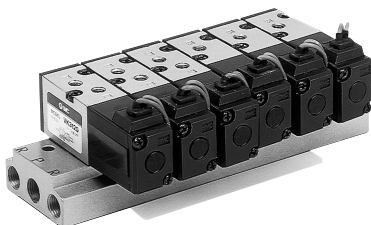


**Applicable base:**  
 Common to all VV5K3 models



Note) Mounting direction is not flexible. Make sure to mount them in the right direction.

## Mixed Mounting of VK300 and Manifold Base of Series VK3000



### ① In case of VV5K3-20/40

When installing the 3 port valve on the manifold base, plug the "R" port at the corresponding mark side with the rubber plug (VK3000-8-1) as shown in the figures on the right.

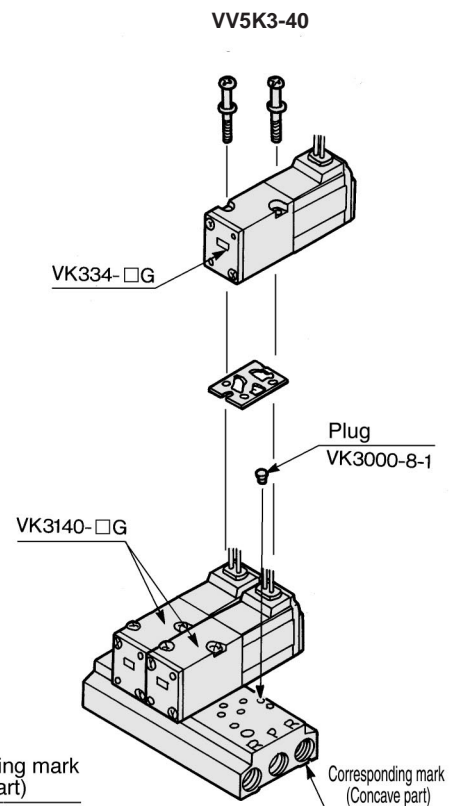
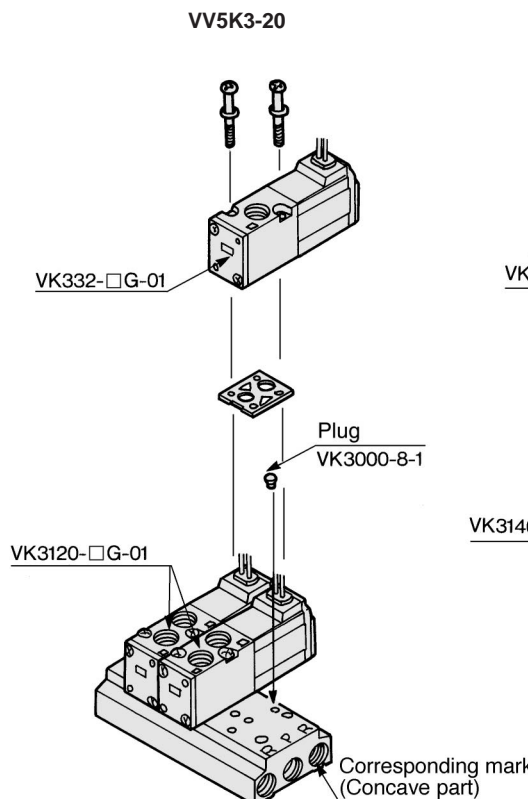
### ② Other manifolds

3 port valve except VV5K3-20 and 40 types can be mounted without any work.

Note 1) Remove the plug If changing the 3 port valve to a 5 port valve.

Note 2) In case a 3 port valve VK300 is mounted on the manifold base for a 5 port valve VK3000, switching type is normally closed (N.C.). If requiring a normally open type (N.O.), plug the "A" port on the 5 port valve.

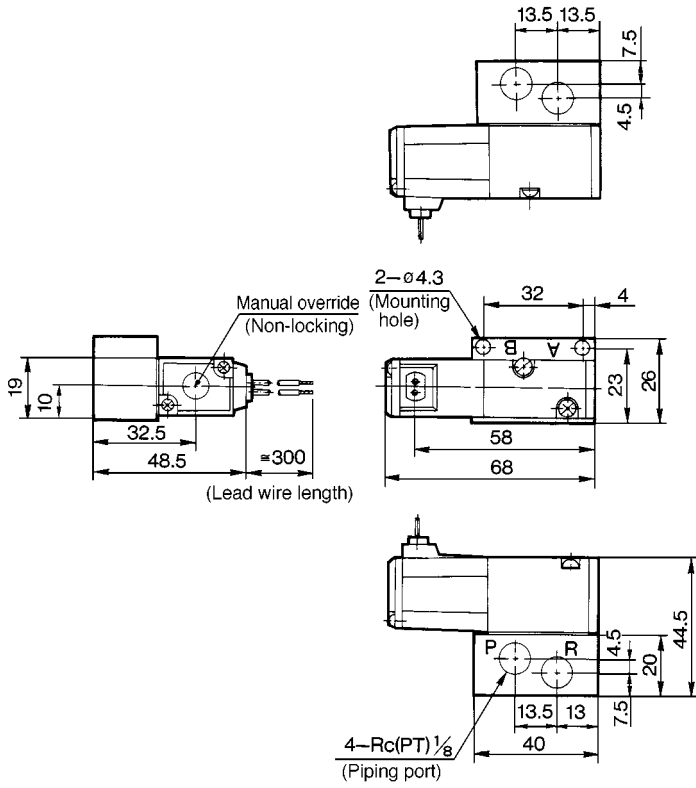
Note 3) "A" port of a 3 port valve for base mounted type becomes "A" port of a 5 port valve. Plug that "A" port to avoid mistaking "B" port for the "A" port.



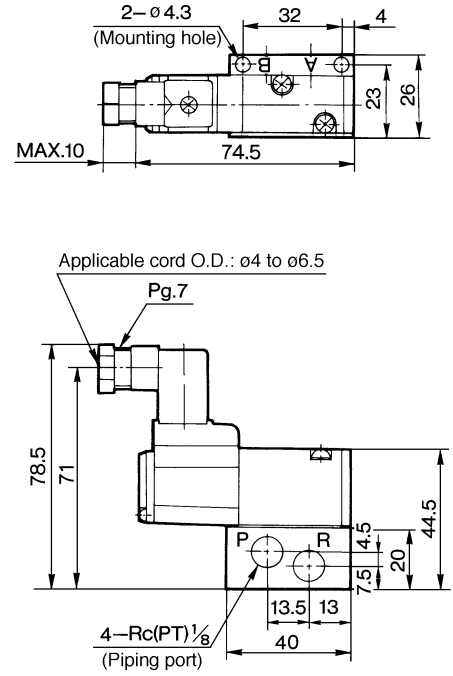
# VK3000

## Base Mounted

Grommet: VK3140-□G-01



DIN terminal: VK3140-□D-01



Refer to the pages for Grommet style for other dimensions.

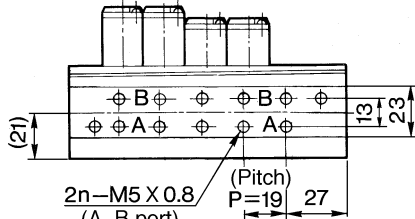
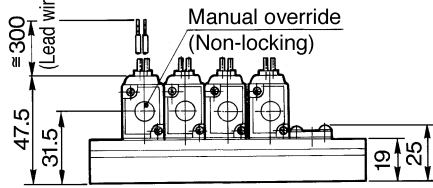
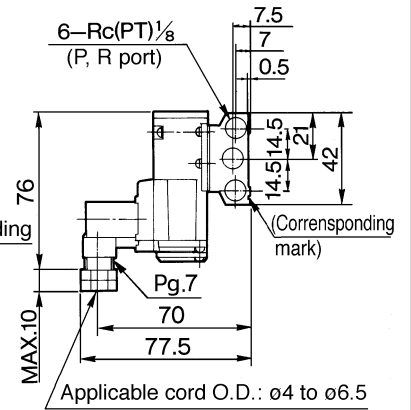
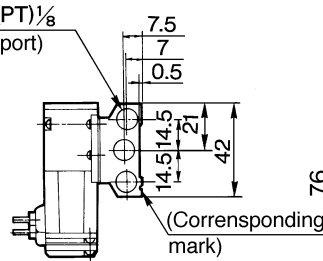
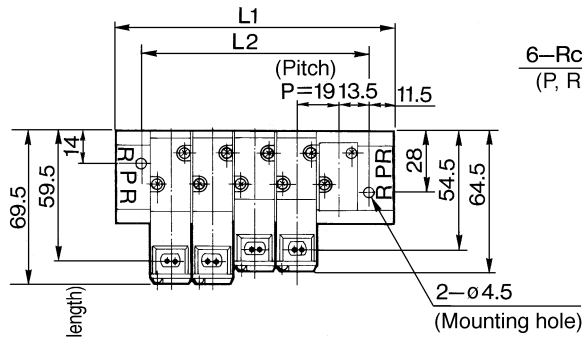
# VK3000

## 40 Type Manifold Base mounted (Bottom piping)

VV5K3-40-Station-M5

Grommet: G

DIN Terminal: D



L: Dimensions Table (A, B port)

n: Number of stations

L \ n	1	2	3	4	5	6	7	8	9	10	11	12	13	14	15	16	17	18	19	20
L1	50	69	88	107	126	145	164	183	202	221	240	259	278	297	316	335	354	373	392	411
L2	27	46	65	84	103	122	141	160	179	198	217	236	255	274	293	312	331	350	369	388

### ⚠ Precautions

Be sure to read before handling.  
Refer to p.0-33 to 0-36 for Safety  
Instructions and common precautions for  
the products mentioned in this catalog.

### ⚠ Caution

- 1. How to use DIN type connector**  
Refer to the p.2.3-10.
- 2. Light and surge voltage suppressor**  
Refer to the p.2.3-10.

### How to calculate flow rate

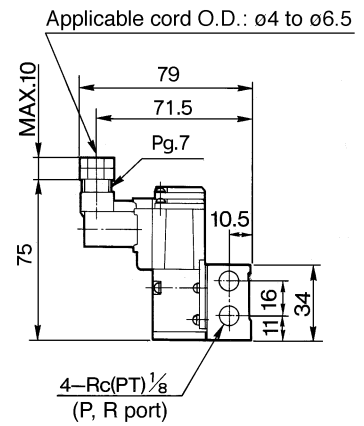
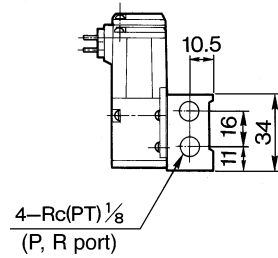
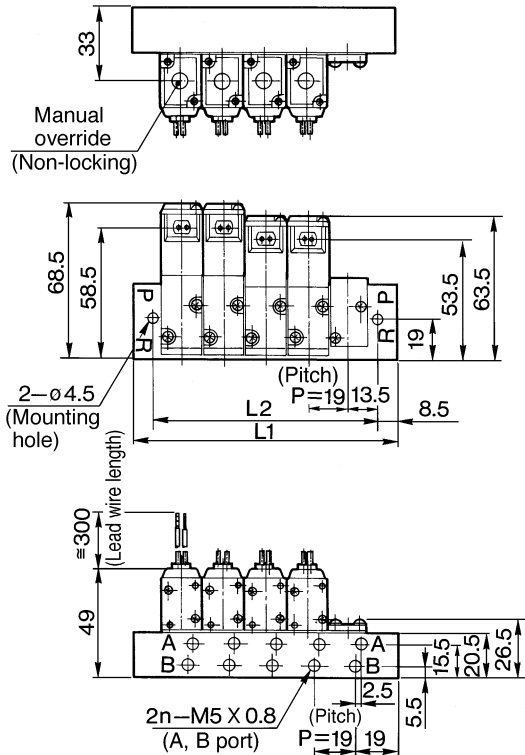
Refer to the p.0-36.

## 41 Type Manifold Base mounted (Side piping)

VV5K3-41-Station-M5

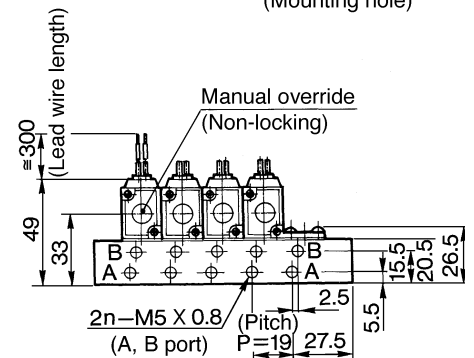
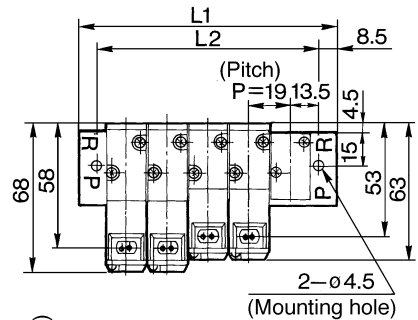
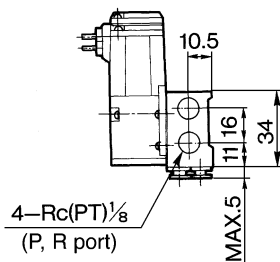
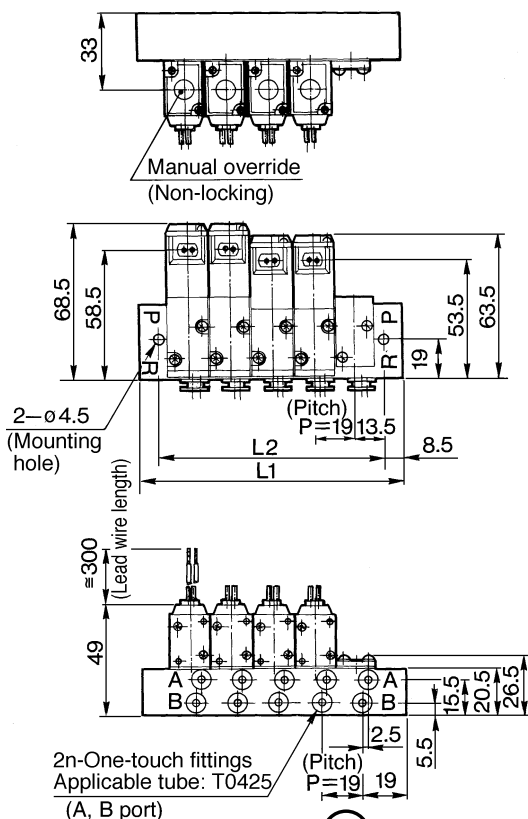
Grommet: G

DIN Terminal: D



With built-in One-touch fitting: VV5K3-41-Station-C4

Solenoid is at the same side as A port: VV5K3-S41-Station-□



Refer to the above drawings for the dimensions of DIN terminal style.



Refer to the above drawings for other dimensions.

L \ n	1	2	3	4	5	6	7	8	9	10	11	12	13	14	15	16	17	18	19	20
L <sub>1</sub>	44	63	82	101	120	139	158	177	196	215	234	253	272	291	310	329	348	367	386	405
L <sub>2</sub>	27	46	65	84	103	122	141	160	179	198	217	236	255	274	293	312	331	350	369	388

- SY
- SYJ
- SX
- VK**
- VZ
- VF
- VFR
- VP7
- VP4

- VQ
- VQ4
- VQZ
- VQD
- VZS
- VFS
- VS
- VS7

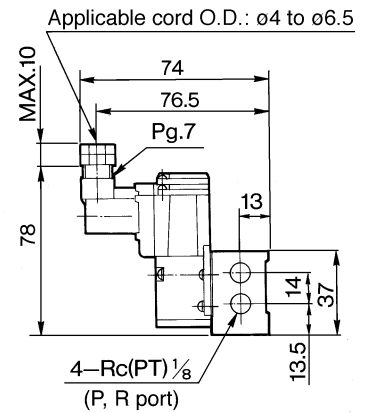
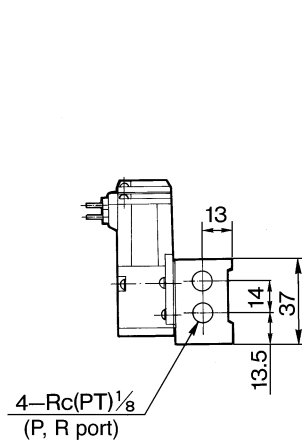
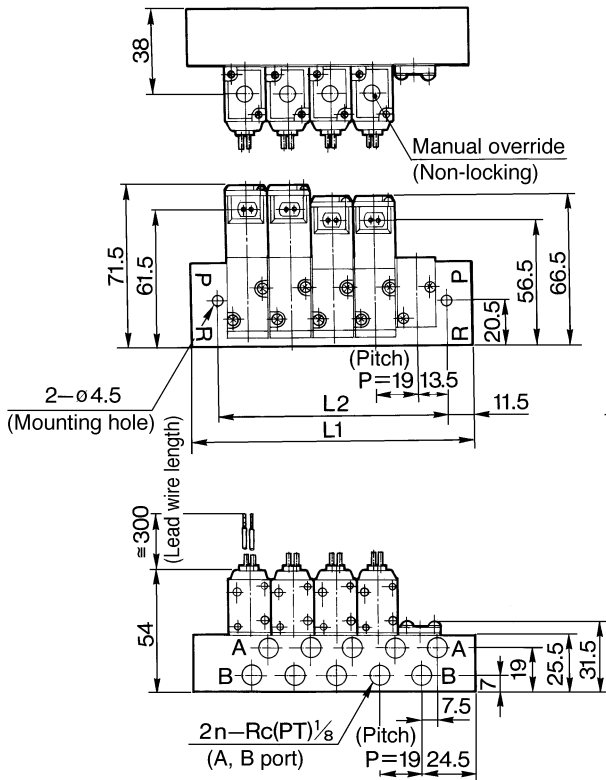
# VK3000

## 42 Type Manifold Base mounted (Side piping)

VV5K3-42-Station-01

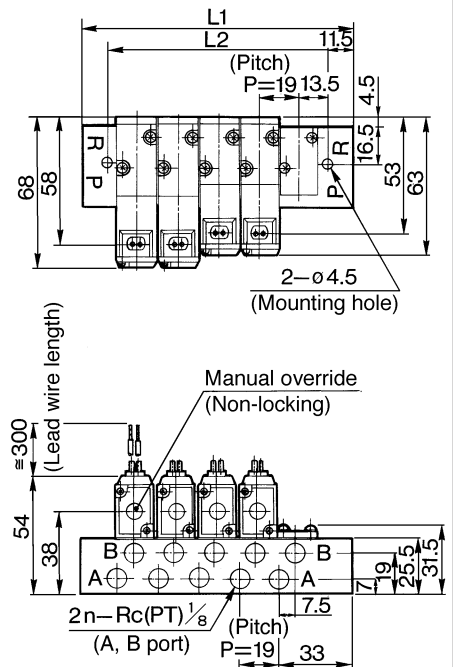
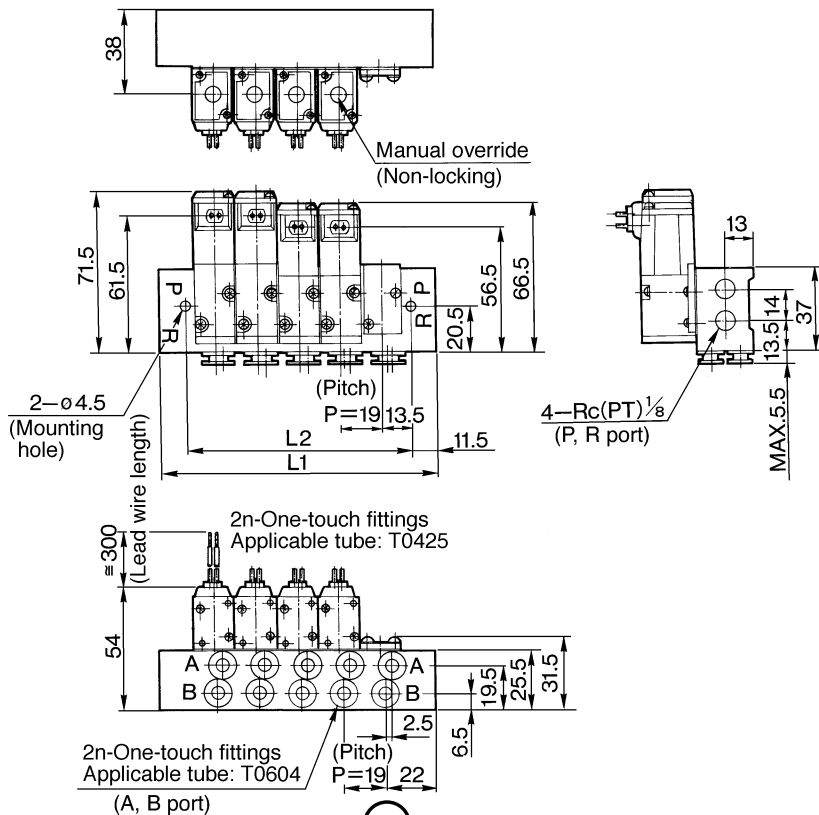
Grommet: G

DIN Terminal: D



With built-in One-touch fitting: VV5K3-42-Station-C6

Solenoid is at the same side as A port: VV5K3-S42-Station-□



Refer to the above drawings for the dimensions of DIN terminal style.

Refer to the above drawings for other dimensions.

L	n	1	2	3	4	5	6	7	8	9	10	11	12	13	14	15	16	17	18	19	20
L <sub>1</sub>		50	69	88	107	126	145	164	183	202	221	240	259	278	297	316	335	354	373	392	411
L <sub>2</sub>		27	46	65	84	103	122	141	160	179	198	217	236	255	274	293	312	331	350	369	388