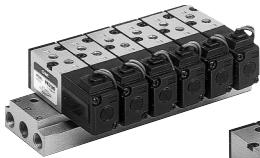


Series VK3000 Manifold



VV5K3-20-06



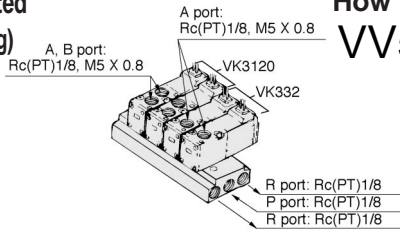
VV5K3-40-06-M5

Specifications

	Number of valve stations	1 to 20
Piping method	Common SUP, Common EXH	Body ported, Base mounted
	Common SUP, Individual EXH	Body ported

Common SUP/Common EXH

20 Type/Body ported
(A, B port top piping)



How to Order

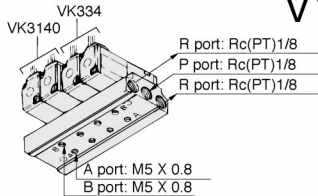
VV5K3-20-05

Stations	
01	1 station
⋮	⋮
20	20 stations

Applicable solenoid valve
VK3120□-□□□-M5
VK3120□-□□□-01
VK332□-□□□-M5
VK332□-□□□-01

Applicable blank plate assembly
VK3000-7-1A

40 Type/Base mounted
(A, B port bottom piping)



How to Order

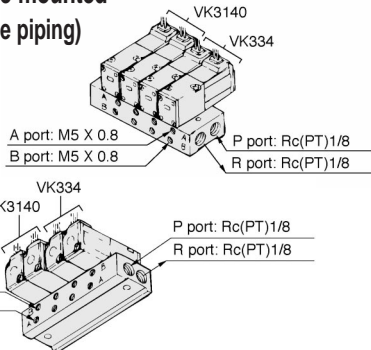
VV5K3-40-05-M5

Stations	
01	1 station
⋮	⋮
20	20 stations

Applicable solenoid valve
VK3140□-□□□
VK334□-□□□

Applicable blank plate assembly
VK3000-7-1A

41 Type/Base mounted
(A, B port side piping)



How to Order

VV5K3-41-05-M5

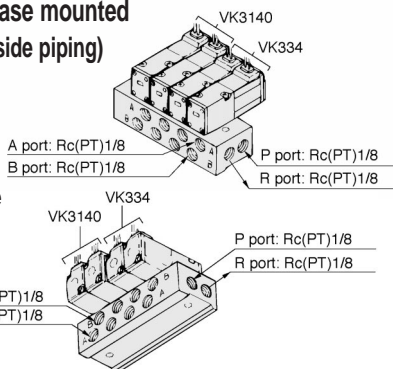
Solenoid position		Stations		Port size	
—	Solenoid on opposite side of A and B port	01	1 station	M5	M5 X 0.8
⋮	⋮	⋮	⋮	C4	ø4 cassette
S	Solenoid on same side of A and B port	20	20 stations		

Applicable solenoid valve
VK3140□-□□□
VK334□-□□□

Applicable blank plate assembly
VK3000-7-1A

S41 Type

42 Type/Base mounted
(A, B port side piping)



How to Order

VV5K3-42-05-01

Solenoid position		Stations		Port size	
—	Solenoid on opposite side of A and B port	01	1 station	01	Rc(PT) 1/8
⋮	⋮	⋮	⋮	C6	ø6 cassette
S	Solenoid on same side of A and B port	20	20 stations		

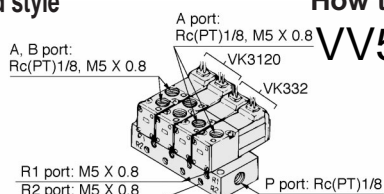
Applicable solenoid valve
VK3140□-□□□
VK334□-□□□

Applicable blank plate assembly
VK3000-7-1A

S42 Type

Common SUP/Individual EXH

21 Type/Body ported style
(A, B port top piping)



How to Order

VV5K3-21-05

Stations	
01	1 station
⋮	⋮
20	20 stations

Applicable solenoid valve
VK3120□-□□□-M5
VK3120□-□□□-01
VK332□-□□□-M5
VK332□-□□□-01

Applicable blank plate assembly
VK3000-7-1A

SY

SYJ

SX

VK

VZ

VF

VFR

VP7

VP4

VQ

VQ4

VQZ

VQD

VZS

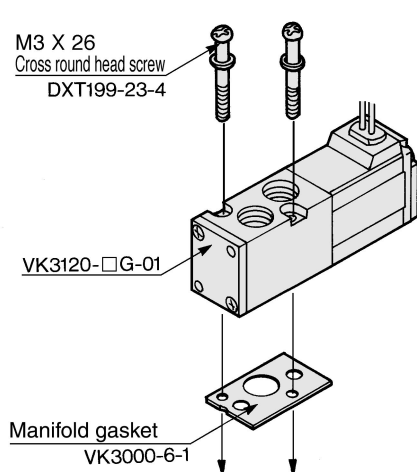
VFS

VS

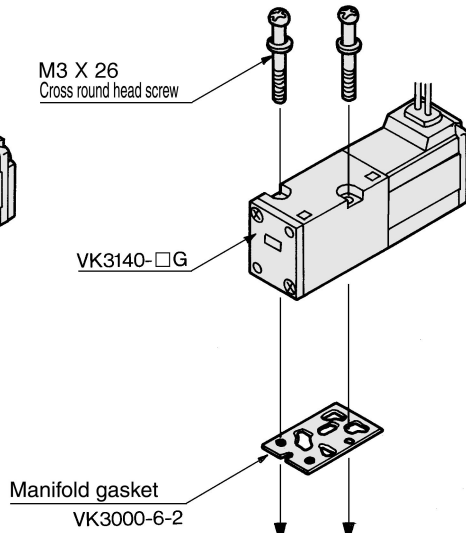
VS7

VK3000

Combination of Solenoid Valve, Manifold Gasket and Manifold Base



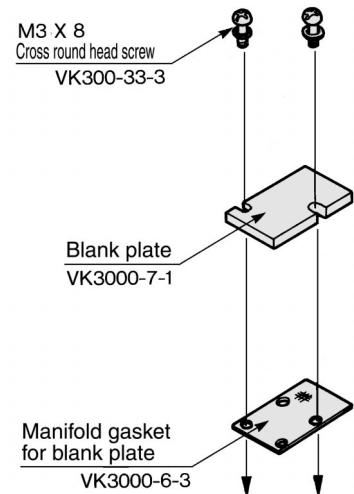
Applicable base
 VV5K3-20 } Manifold base
 VV5K3-21 }



Applicable base
 VK3000-9-1 } Sub-plate
 VV5K3-40 } Manifold base
 VV5K3-(S)41 }
 VV5K3-(S)42 }

Combination of Blank Plate Ass'y and Manifold Base

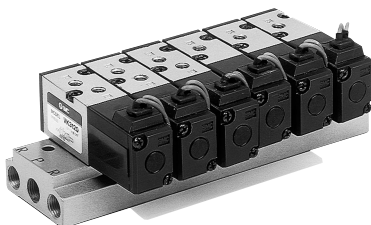
Blank plate ass'y:
 VK3000-7-1A



Applicable base:
 Common to all VV5K3 models

Note) Mounting direction is not flexible. Make sure to mount them in the right direction.

Mixed Mounting of VK300 and Manifold Base of Series VK3000



① In case of VV5K3-20/40

When installing the 3 port valve on the manifold base, plug the "R" port at the corresponding mark side with the rubber plug (VK3000-8-1) as shown in the figures on the right.

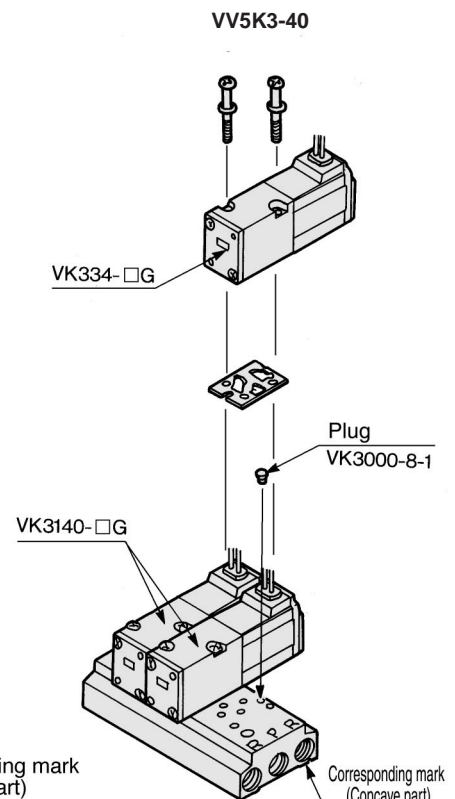
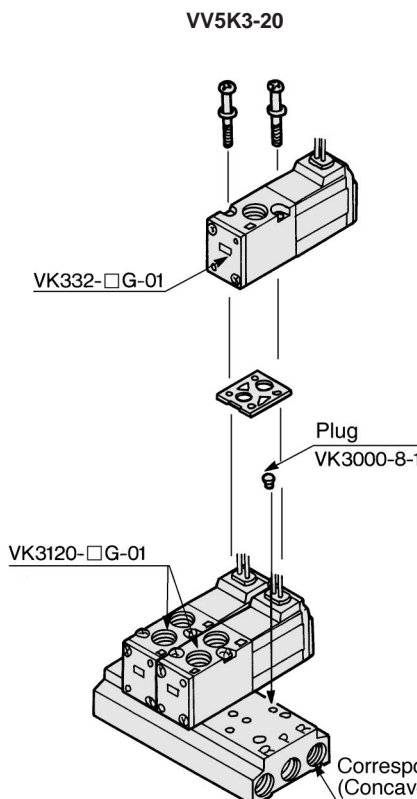
② Other manifolds

3 port valve except VV5K3-20 and 40 types can be mounted without any work.

Note 1) Remove the plug If changing the 3 port valve to a 5 port valve.

Note 2) In case a 3 port valve VK300 is mounted on the manifold base for a 5 port valve VK3000, switching type is normally closed (N.C.). If requiring a normally open type (N.O.), plug the "A" port on the 5 port valve.

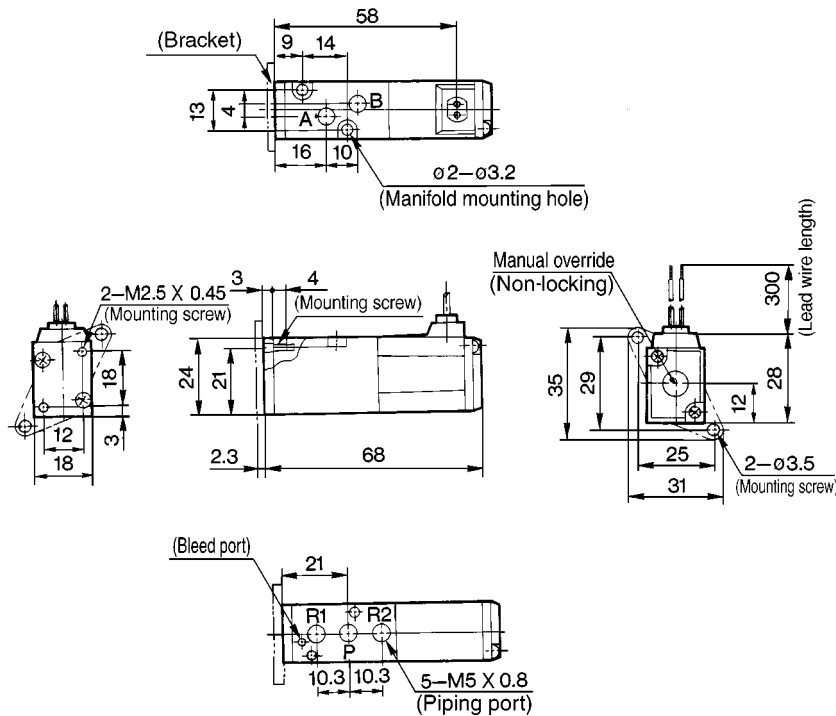
Note 3) "A" port of a 3 port valve for base mounted type becomes "A" port of a 5 port valve. Plug that "A" port to avoid mistaking "B" port for the "A" port.



Body Ported

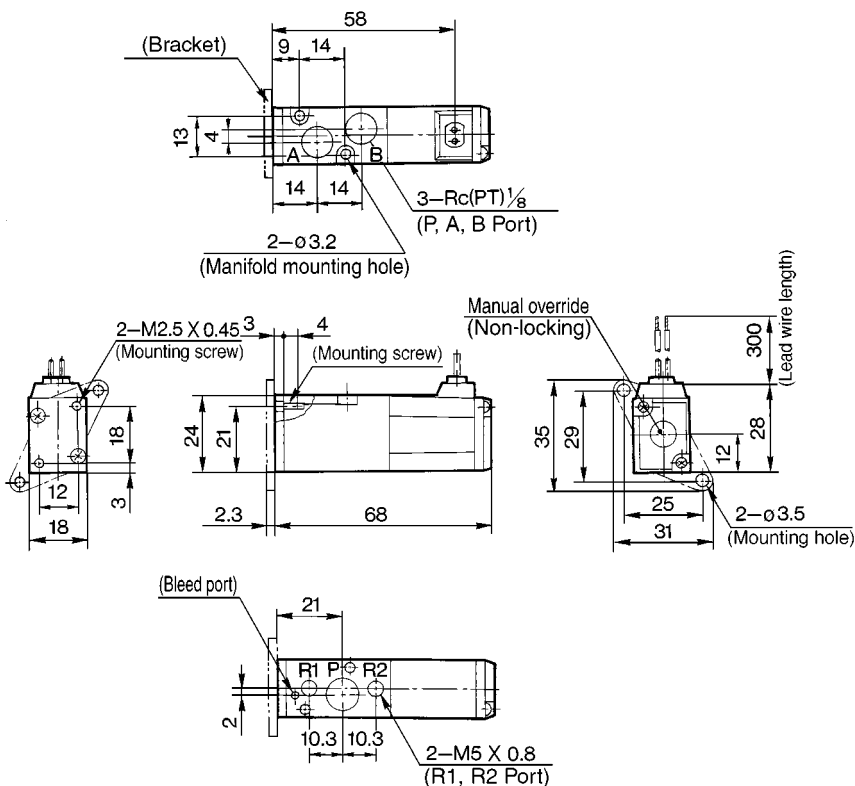
Grommet: VK3120-□G-M5

Port size: M5

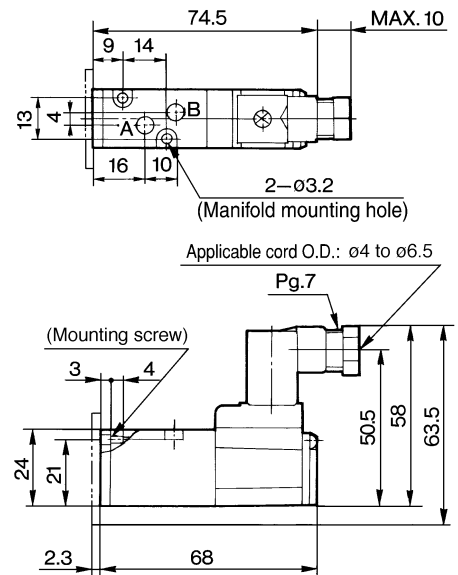


Grommet: VK3120-□G-01

Port size: Rc(PT) 1/8

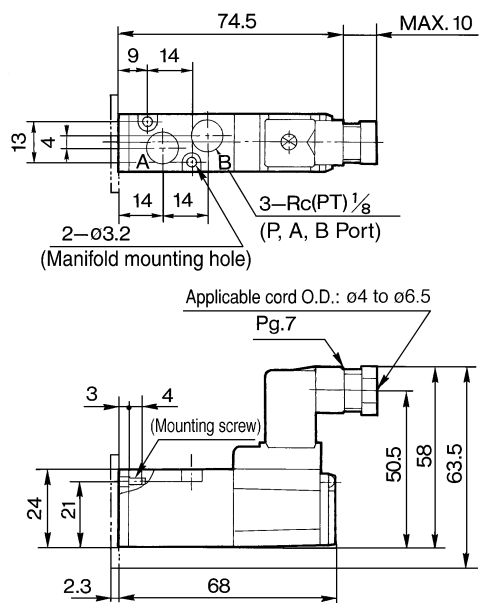


DIN terminal: VK3120-□D-M5



Refer to the pages for Grommet style for other dimensions.

DIN terminal: VK3120-□D-01



Refer to the pages for Grommet style for other dimensions.

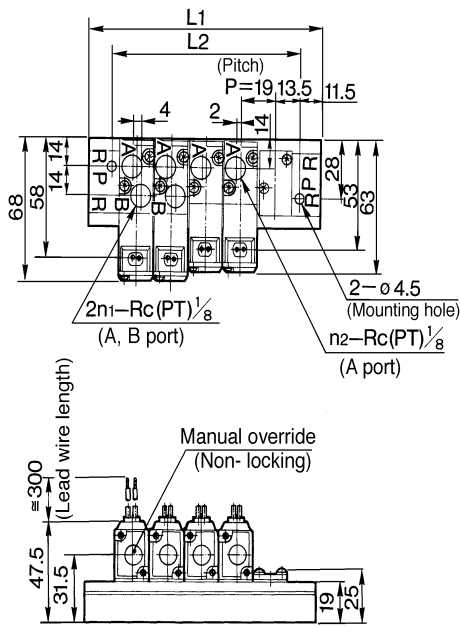
SY
SYJ
SX
VK
VZ
VF
VFR
VP7
VP4

VQ
VQ4
VQZ
VQD
VZS
VFS
VS
VS7

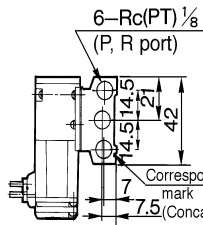
20 Type Manifold Body ported (Top piping)

VV5K3 - 20 - Station

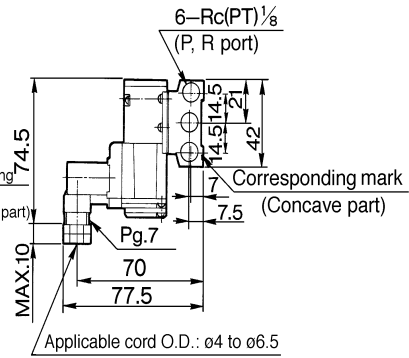
n1= Number of VK3000
n2= Number of VK300



Grommet: G



DIN terminal: D



L: Dimensions Table

n: Number of stations

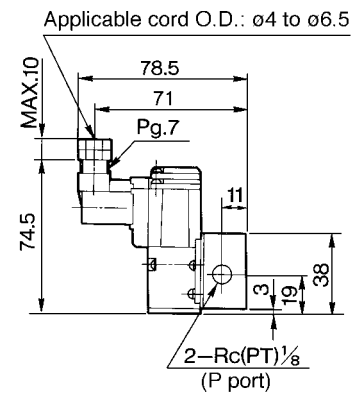
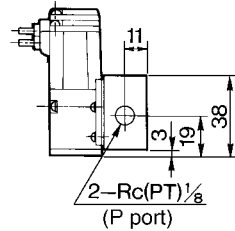
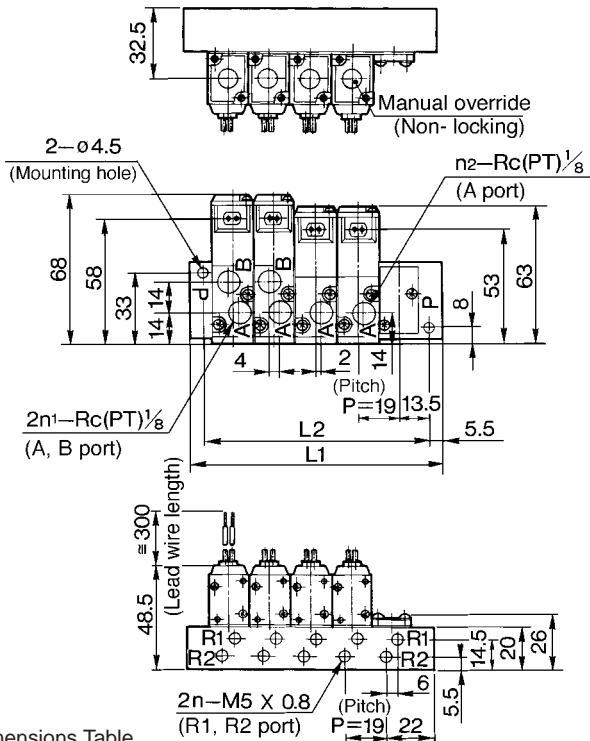
L \ n	1	2	3	4	5	6	7	8	9	10	11	12	13	14	15	16	17	18	19	20
L1	50	69	88	107	126	145	164	183	202	221	240	259	278	297	316	335	354	373	392	411
L2	27	46	65	84	103	122	141	160	179	198	217	236	255	274	293	312	331	350	369	388

21 Type Manifold Body ported (Top piping)

VV5K3 - 21 - Station

Grommet: G

DIN terminal: D



n1= Number of VK3000
n2= Number of VK300

L: Dimensions Table

n: Number of stations

L \ n	1	2	3	4	5	6	7	8	9	10	11	12	13	14	15	16	17	18	19	20
L1	38	57	76	95	114	133	152	171	190	209	228	247	266	285	304	323	342	361	380	399
L2	27	46	65	84	103	122	141	160	179	198	217	236	255	274	293	312	331	350	369	388

- SY
- SYJ
- SX
- VK**
- VZ
- VF
- VFR
- VP7
- VP4
- VQ
- VQ4
- VQZ
- VQD
- VZS
- VFS
- VS
- VS7