

3 Port Mechanical Valve

Series VM400

Either N.C. or N.O. is available.

Piping possible to any port.

Proper countermeasures can be taken for applications in which the noise of the exhaust could cause problems to the surroundings.

Specifications

| | |
|-------------------------------|--|
| Fluid | Air/Inert gas |
| Operating pressure | -100 kPa to 1.0 MPa |
| Ambient and fluid temperature | -5 to 60°C (No freezing) |
| Effective area | 7 mm ² |
| Lubrication | Not required (Use turbine oil Class 1 ISO VG32, if lubricated) |
| Port size | 1/8 |
| Weight (Basic) | 110 g |

Model



| | Actuator | Model | Actuator part no. | Application |
|---------------------------|-----------------------------|---------------------|-------------------|---|
| Mechanical operation | Basic | VM430-01-00 | — | — |
| | Roller lever | VM430-01-01 | VM-01A | Polyacetal roller |
| | | VM430-01-01S | VM-01AS | Hard steel roller |
| | One way roller lever | VM430-01-02 | VM-02A | Polyacetal roller |
| | | VM430-01-02S | VM-02AS | Hard steel roller |
| | Straight plunger | VM430-01-05 | VM-05A | — |
| | Roller plunger | VM430-01-06 | VM-06A | Polyacetal roller |
| | | VM430-01-06S | VM-06AS | Hard steel roller |
| Cross roller plunger | VM430-01-07 | VM-07A | Polyacetal roller | |
| | VM430-01-07S | VM-07AS | Hard steel roller | |
| Manual operation | Toggle lever | VM430-01-08 | VM-08A | — |
| | Push button (Mushroom) | VM430-01-30R | VM-30AR | Red |
| | | VM430-01-30B | VM-30AB | Black |
| | | VM430-01-30G | VM-30AG | Green |
| | | VM430-01-30Y | VM-30AY | Yellow |
| | Push button (Extended) | VM430-01-32R | VM-32AR | Red |
| | | VM430-01-32B | VM-32AB | Black |
| | | VM430-01-32G | VM-32AG | Green |
| | Push button (Flush) | VM430-01-32Y | VM-32AY | Yellow |
| | | VM430-01-33 | VM-33A | With a set of red, black, green, yellow |
| | Twist selector (2 position) | VM430-01-34R | VM-34AR | Red |
| | | VM430-01-34B | VM-34AB | Black |
| | | VM430-01-34G | VM-34AG | Green |
| VM430-01-34Y | | VM-34AY | Yellow | |
| Key selector (2 position) | VM430-01-36 | VM-36A | — | |



Note 1) Actuator replacement is available for all types.

Note 2) For push button (mushroom), push button (extended), push button (flush) and a single unit of fastening ring, refer to pages 5-6-6 to 5-6-7. The other parts are not replaceable.

Note 3) The handle of the selector (2 position) cannot be removed or replaced alone.

How to Order

VM4 3 0 - 01 - 01 S

Number of ports

| | |
|---|--------|
| 3 | 3 port |
|---|--------|

Port size

| | |
|-----|---------|
| 01 | Rc 1/8 |
| N01 | NPT 1/8 |
| F01 | G 1/8 |

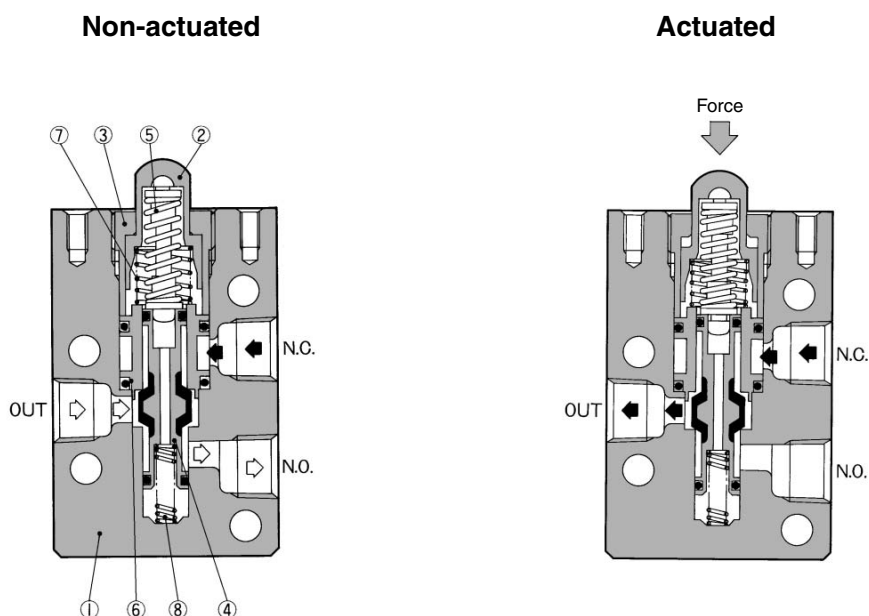
Actuator type

| | |
|----|-----------------------------|
| 00 | Basic |
| 01 | Roller lever |
| 02 | One way roller lever |
| 05 | Straight plunger |
| 06 | Roller plunger |
| 07 | Cross roller plunger |
| 08 | Toggle lever |
| 30 | Push button (Mushroom) |
| 32 | Push button (Extended) |
| 33 | Push button (Flush) |
| 34 | Twist selector (2 position) |
| 36 | Key selector (2 position) |

Suffix for actuator

| | | |
|---|-------------------|-------------------------------|
| S | Hard steel roller | Color of push button selector |
| R | Red | |
| B | Black | |
| Y | Yellow | |

Construction



Component Parts

| No. | Description | Material | Note |
|-----|-------------|----------------|----------------------|
| ① | Body | ADC | Metallic plated |
| ② | Plunger | POM | |
| ③ | Upper lid | Brass | Black zinc chromated |
| ④ | Spool valve | Aluminum alloy | Rubber lined |

| No. | Description | Material | Note |
|-----|--------------------|-----------------|------|
| ⑤ | Over travel spring | Stainless steel | |
| ⑥ | Retainer | Brass | |
| ⑦ | Spring | Stainless steel | |
| ⑧ | Spring | Stainless steel | |

S□A

V□A

S□A

V□A

VM

VR

VH

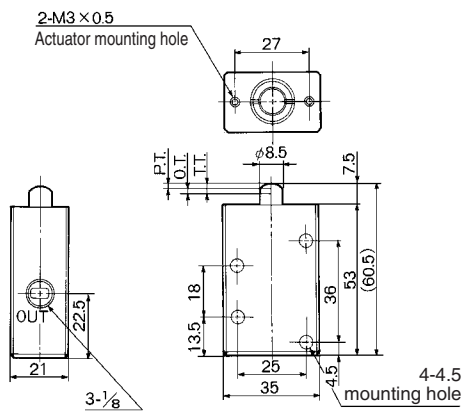
VHS

Series VM400

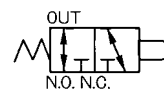
Series VM400

Basic

VM430-01-00



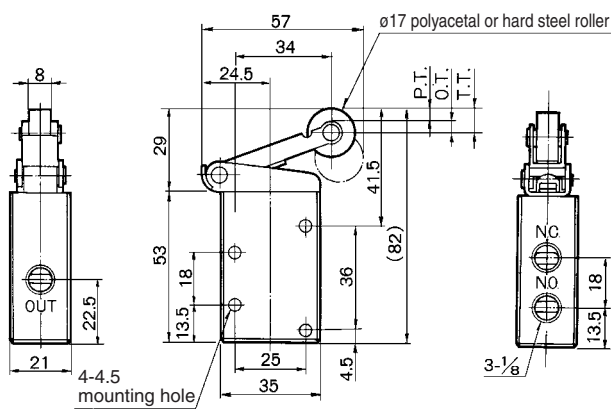
JIS Symbol



| | |
|--------|--------|
| F.O.F. | 26 N |
| P.T. | 1.5 mm |
| O.T. | 2.0 mm |
| T.T. | 3.5 mm |

Roller lever

VM430-01-01
VM430-01-01S



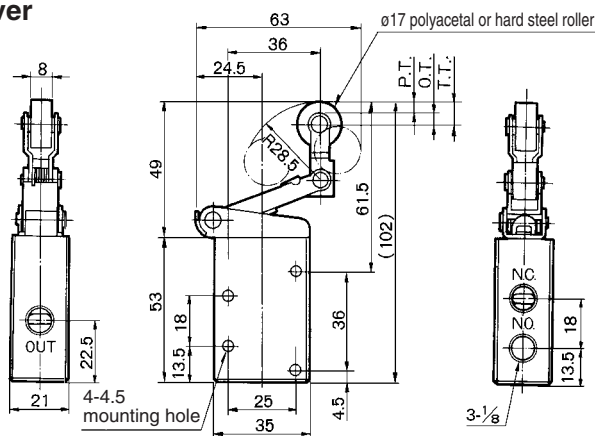
JIS Symbol



| | |
|--------|--------|
| F.O.F. | 12 N |
| P.T. | 4.0 mm |
| O.T. | 4.5 mm |
| T.T. | 8.5 mm |

One way roller lever

VM430-01-02
VM430-01-02S



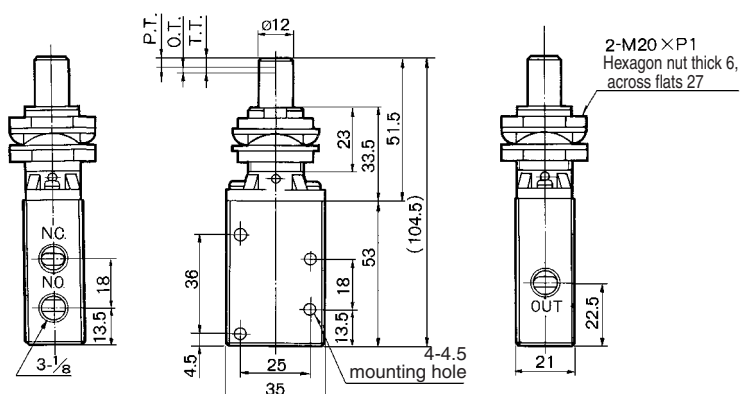
JIS Symbol



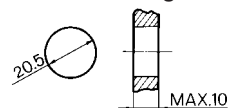
| | |
|--------|--------|
| F.O.F. | 11 N |
| P.T. | 4.0 mm |
| O.T. | 5.0 mm |
| T.T. | 9.0 mm |

Straight plunger

VM430-01-05



Panel mounting hole



JIS Symbol



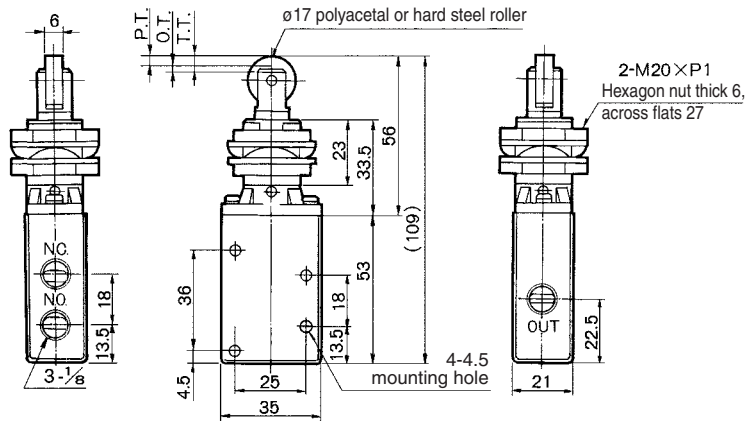
| | |
|--------|--------|
| F.O.F. | 30 N |
| P.T. | 3.5 mm |
| O.T. | 2.0 mm |
| T.T. | 5.5 mm |

3 Port Mechanical Valve Series VM400

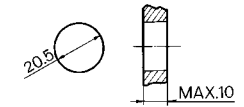
Series VM400

Roller plunger

VM430-01-06
VM430-01-06S



Panel mounting hole



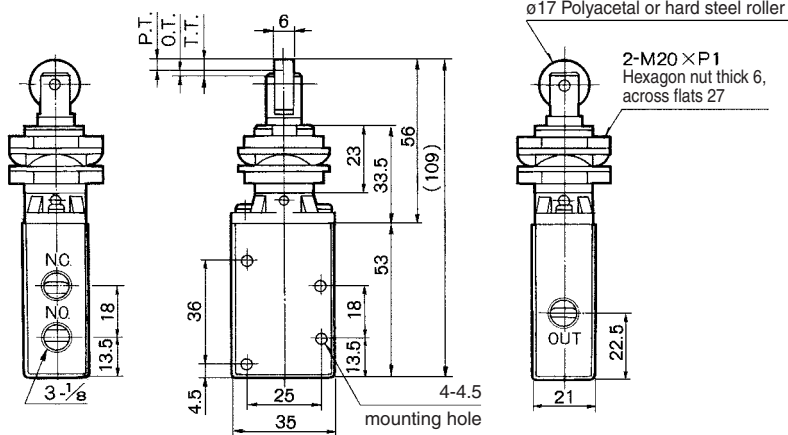
JIS Symbol



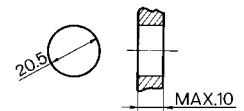
| | |
|--------|--------|
| F.O.F. | 30 N |
| P.T. | 3.5 mm |
| O.T. | 2.0 mm |
| T.T. | 5.5 mm |

Cross roller plunger

VM430-01-07
VM430-01-07S



Panel mounting hole



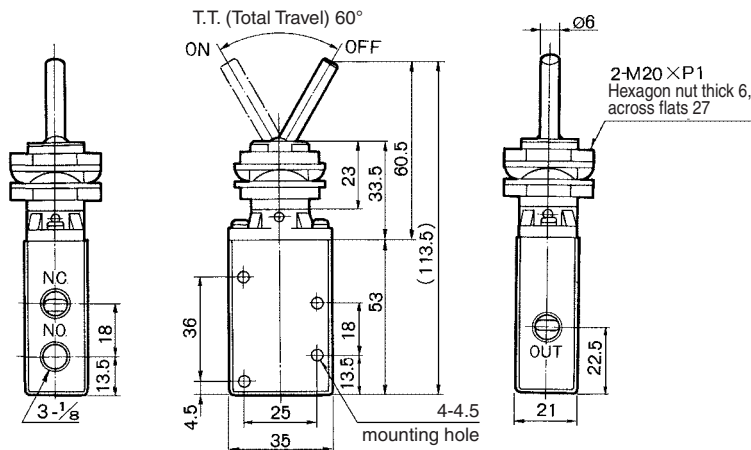
JIS Symbol



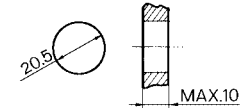
| | |
|--------|--------|
| F.O.F. | 30 N |
| P.T. | 3.5 mm |
| O.T. | 2.0 mm |
| T.T. | 5.5 mm |

Toggle lever

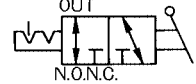
VM430-01-08



Panel mounting hole



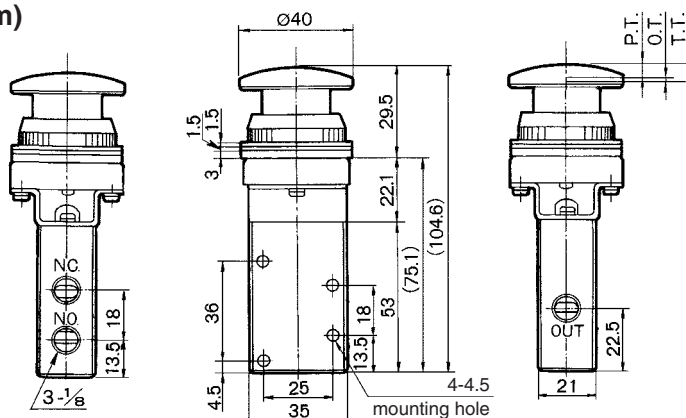
JIS Symbol



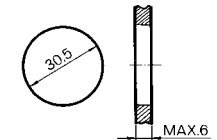
| | |
|--------|-----|
| F.O.F. | 7 N |
| T.T. | 60° |

Push button (Mushroom)

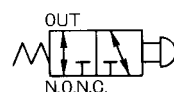
VM430-01-30R/B/G/Y



Panel mounting hole



JIS Symbol



| | |
|--------|--------|
| F.O.F. | 26 N |
| P.T. | 4.6 mm |
| O.T. | 1.6 mm |
| T.T. | 6.5 mm |

□A

□A

□A

□A

VM

VR

VH

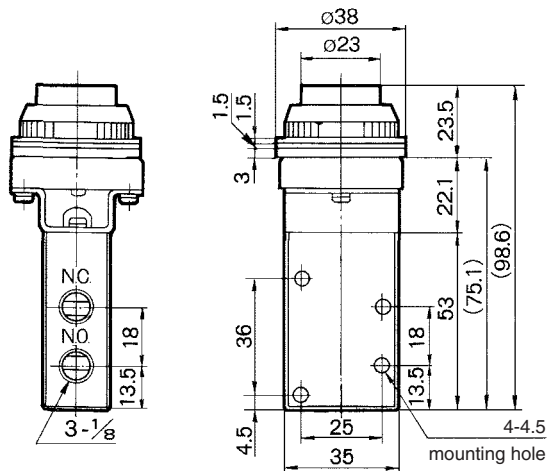
VHS

Series VM400

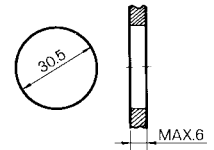
Series VM400

Push button (Extended)

VM430-01-32R/B/G/Y



Panel mounting hole



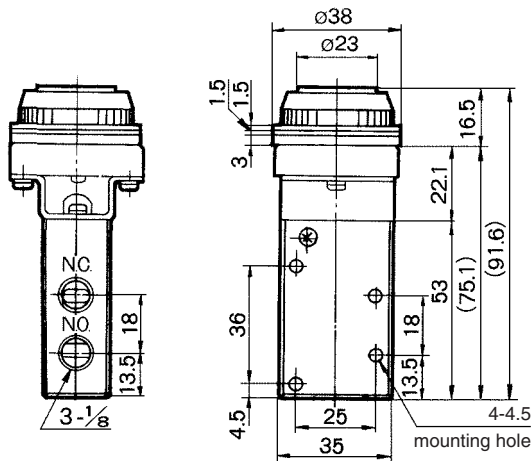
JIS Symbol



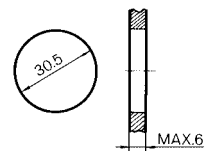
| | |
|--------|--------|
| F.O.F. | 26 N |
| P.T. | 5.4 mm |
| O.T. | 1.6 mm |
| T.T. | 6.5 mm |

Push button (Flush)

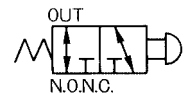
VM430-01-33



Panel mounting hole



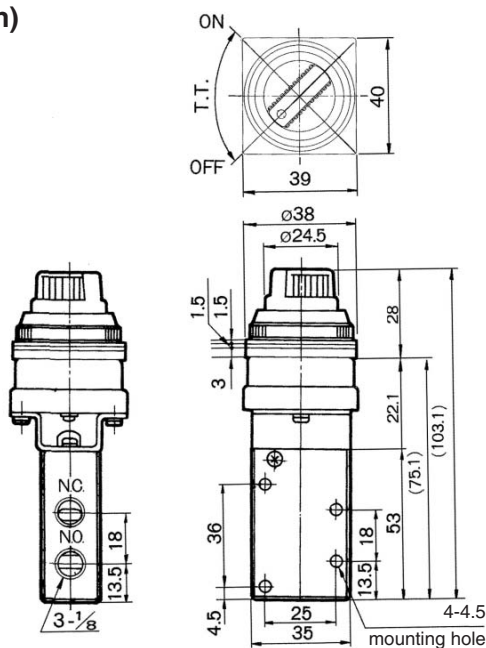
JIS Symbol



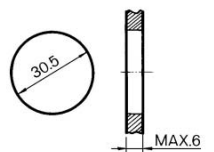
| | |
|--------|--------|
| F.O.F. | 26 N |
| P.T. | 4.9 mm |
| O.T. | 1.6 mm |
| T.T. | 6.5 mm |

Twist selector (2 position)

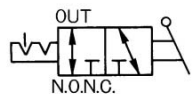
VM430-01-34R/B/G/Y



Panel mounting hole



JIS Symbol



| | |
|--------|------|
| F.O.F. | 20 N |
| T.T. | 90° |

3 Port Mechanical Valve Series VM400

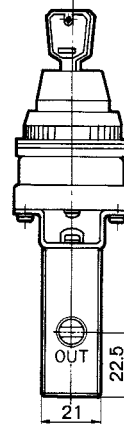
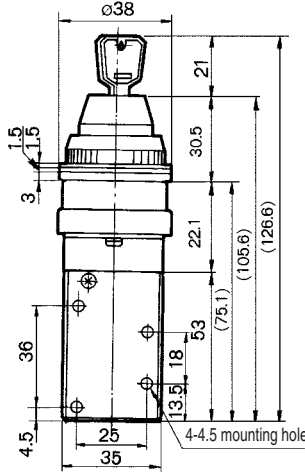
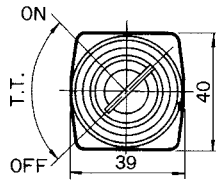
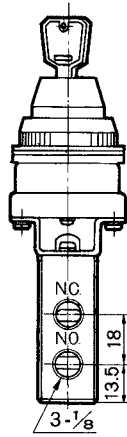
Series VM400

Key selector (2 position)

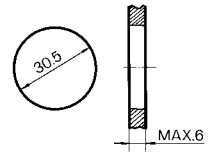
VM430-01-36



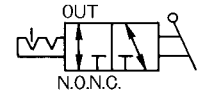
Key can be removed at the "on" and "off" positions.



Panel mounting hole



JIS Symbol



| | |
|--------|------|
| F.O.F. | 20 N |
| T.T. | 90° |

S□A

V□A

S□A

V□A

VM

VR

VH

VHS