

3 Port Mechanical Valve: Heavy Duty Type Series VM800

Sturdy construction.

Either N.C. or N.O. is available.

Piping possible to any port.

Proper countermeasures can be taken for applications in which the noise of the exhaust could cause problems to the surroundings.

Many actuator positions and orientation options.



Specifications

| | |
|-------------------------------|---|
| Fluid | Air/Inert gas |
| Operating pressure | -100 kPa to 1.0 MPa |
| Ambient and fluid temperature | -5 to 60°C (No freezing) |
| Effective area | 6 mm ² |
| Lubrication | Not required (Use turbine oil Class 1 ISO VG32, if lubricated.) |
| Port size | 1/8 |
| Weight (Basic) | 180 g |

Model

| Actuator | Model | Actuator part no. |
|-------------------------|-------------|-------------------|
| Basic | VM830-01-00 | — |
| Roller lever | VM830-01-01 | VM-01F |
| Adjustable roller lever | VM830-01-13 | VM-13F |
| Adjustable rod lever | VM830-01-14 | VM-14F |



Actuator replacement is available.

How to Order

VM830-01-01

• **Port size**

| | |
|-----|---------|
| 01 | Rc 1/8 |
| N01 | NPT 1/8 |
| F01 | G 1/8 |

• **Number of ports**

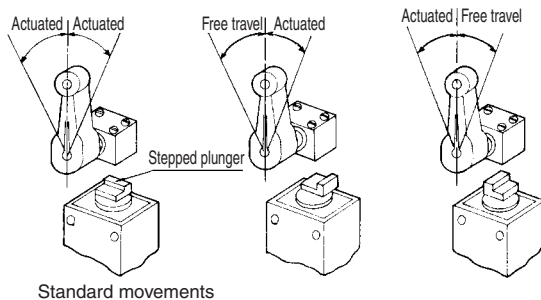
| | |
|---|--------|
| 3 | 3 port |
|---|--------|

• **Actuator type**

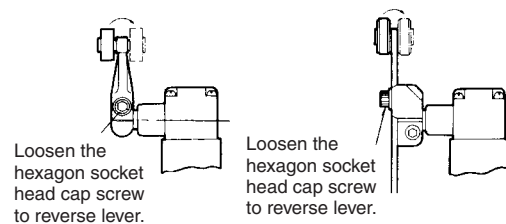
| | |
|----|-------------------------|
| 00 | Basic |
| 01 | Roller lever |
| 13 | Adjustable roller lever |
| 14 | Adjustable rod lever |

Application

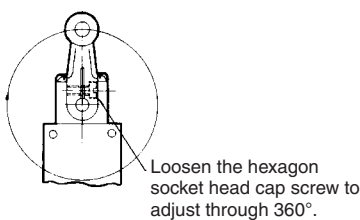
● **Movement is changeable.**



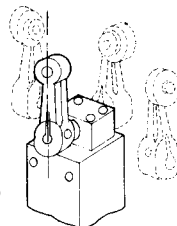
● **Roller can be mounted to inside of lever.**



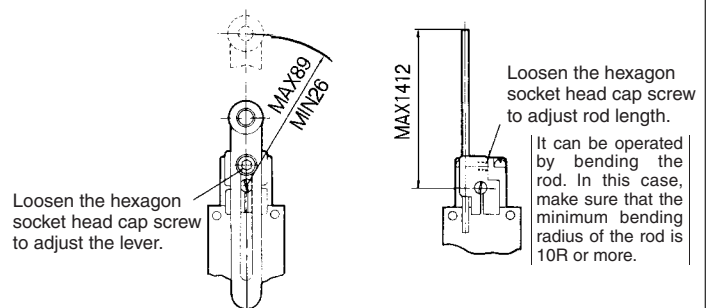
● **Lever location can be changed.**



● **Head direction can be changed.**

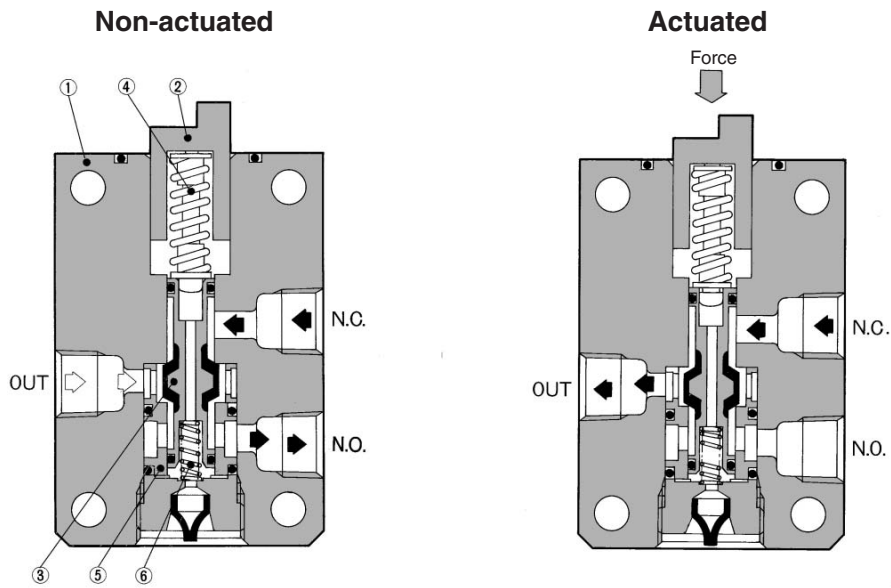


● **Lever length adjustment.**



3 Port Mechanical Valve: Heavy Duty Type Series VM800

Construction



- A
- A
- A
- A
- VM
- VR
- VH
- VHS

Component Parts

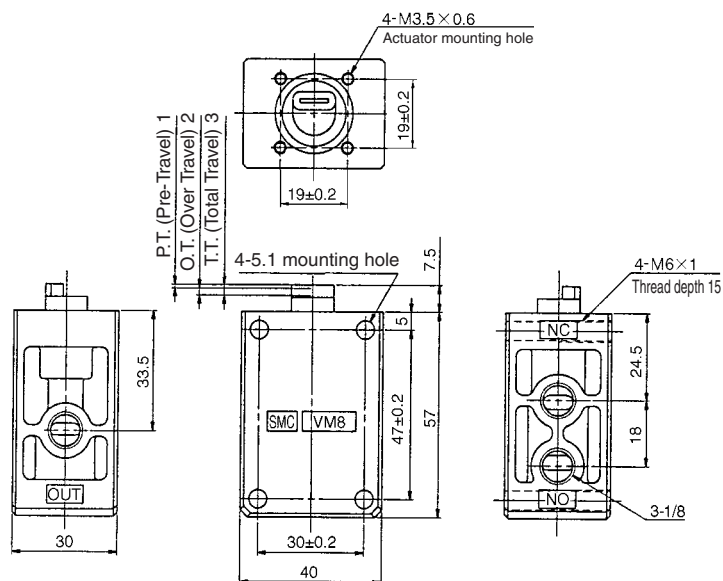
| No. | Description | Material | Note |
|-----|-------------|---------------------|-----------------|
| ① | Body | ADC | Metallic plated |
| ② | Plunger | POM | |
| ③ | Spool valve | Aluminum alloy, NBR | Rubber lined |

| No. | Description | Material | Note |
|-----|--------------------|-----------------|----------------|
| ④ | Over travel spring | Stainless steel | |
| ⑤ | Retainer | Brass | |
| ⑥ | Spring | Steel | Zinc chromated |

Series VM800

Basic

VM830-01-00



JIS Symbol

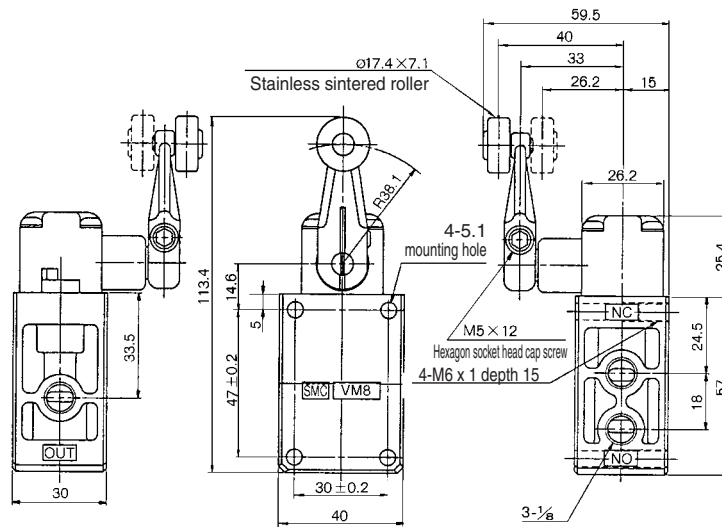


| | |
|--------|--------|
| F.O.F. | 23 N |
| P.T. | 1.0 mm |
| O.T. | 2.0 mm |
| T.T. | 3.0 mm |

Series VM800

Series VM800

Roller lever VM830-01-01

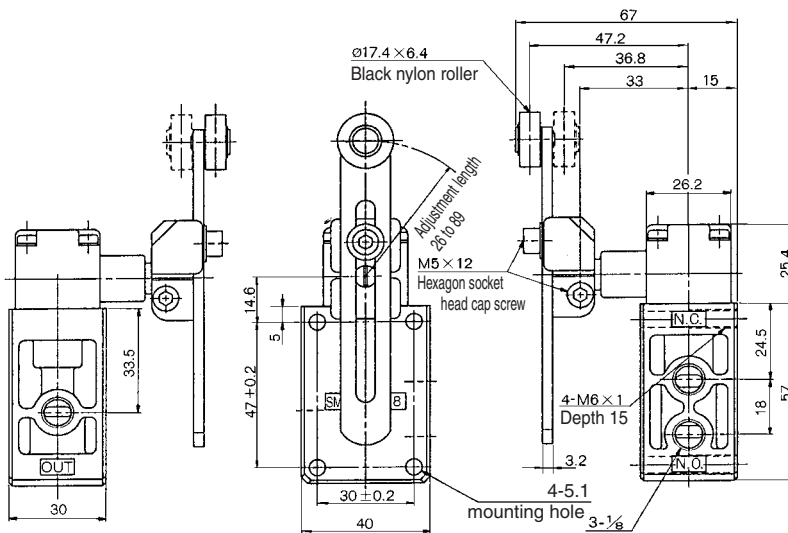


JIS Symbol



| | |
|--------|------|
| F.O.F. | 20 N |
| P.T. | 20° |
| O.T. | 30° |
| T.T. | 50° |

Adjustable roller lever VM830-01-13



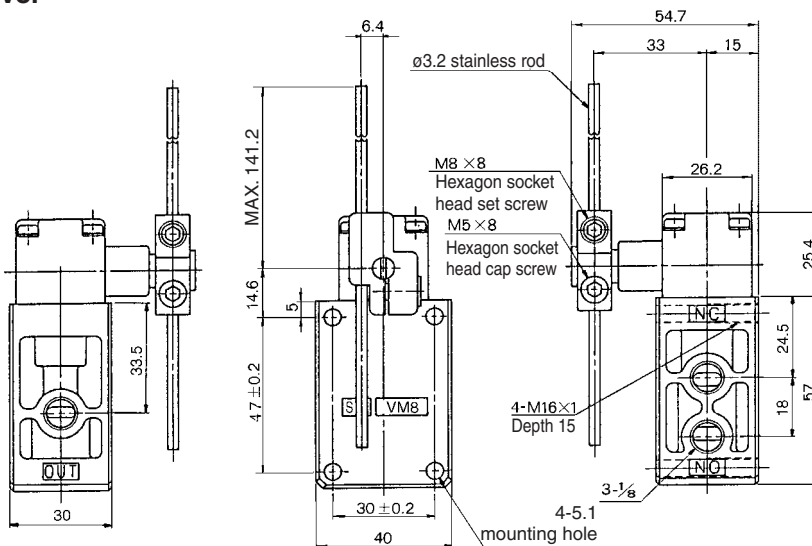
JIS Symbol



* At lever length 38.1 mm

| | |
|----------|------|
| F.O.F. * | 20 N |
| P.T. | 20° |
| O.T. | 30° |
| T.T. | 50° |

Adjustable rod lever VM830-01-14



JIS Symbol



* At lever length 141.2 mm

| | |
|----------|-------|
| F.O.F. * | 2.3 N |
| P.T. | 20° |
| O.T. | 30° |
| T.T. | 50° |