

# 3 Port Mechanical Valve: Heavy Duty Type Series VM800

**Sturdy construction.**

**Either N.C. or N.O. is available.**

**Piping possible to any port.**

Proper countermeasures can be taken for applications in which the noise of the exhaust could cause problems to the surroundings.

**Many actuator positions and orientation options.**



## Specifications

Fluid	Air/Inert gas
Operating pressure	-100 kPa to 1.0 MPa
Ambient and fluid temperature	-5 to 60°C (No freezing)
Effective area	6 mm <sup>2</sup>
Lubrication	Not required (Use turbine oil Class 1 ISO VG32, if lubricated.)
Port size	1/8
Weight (Basic)	180 g

## Model

Actuator	Model	Actuator part no.
Basic	VM830-01-00	—
Roller lever	VM830-01-01	VM-01F
Adjustable roller lever	VM830-01-13	VM-13F
Adjustable rod lever	VM830-01-14	VM-14F



Actuator replacement is available.

## How to Order

VM830-01-01

• **Port size**

01	Rc 1/8
N01	NPT 1/8
F01	G 1/8

• **Number of ports**

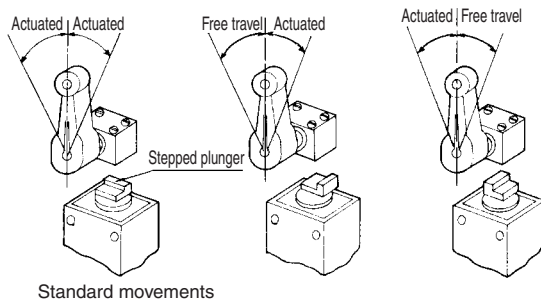
3	3 port
---	--------

• **Actuator type**

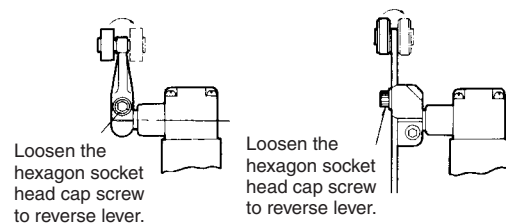
00	Basic
01	Roller lever
13	Adjustable roller lever
14	Adjustable rod lever

## Application

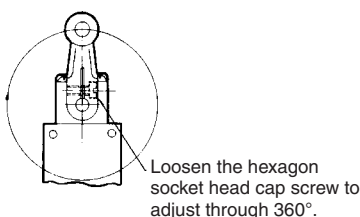
● **Movement is changeable.**



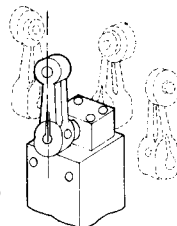
● **Roller can be mounted to inside of lever.**



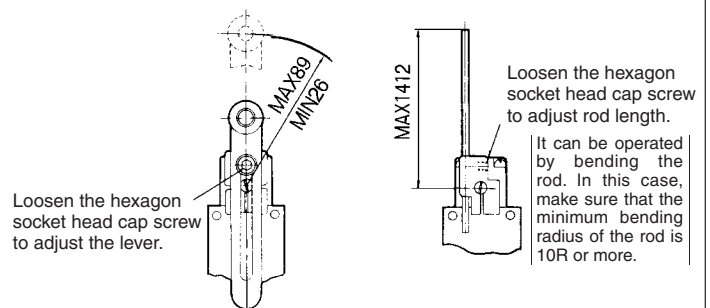
● **Lever location can be changed.**



● **Head direction can be changed.**

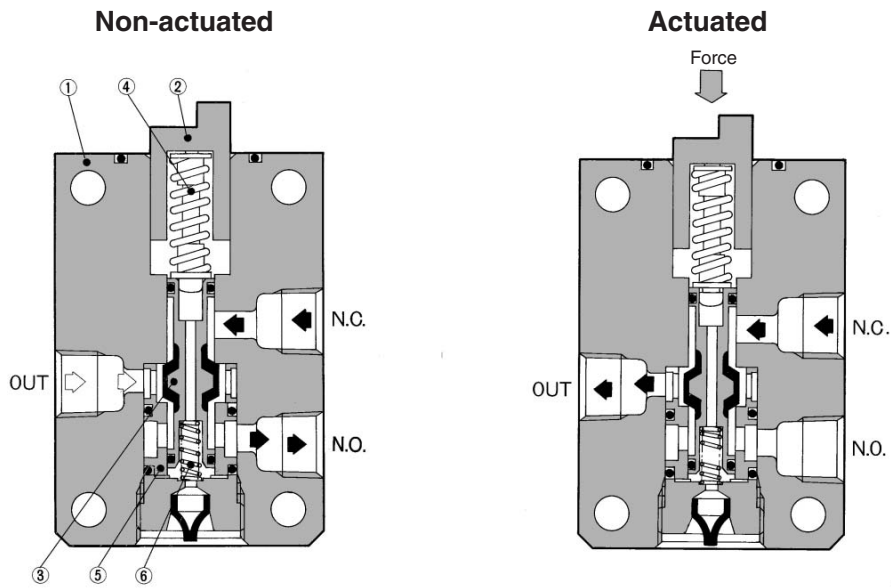


● **Lever length adjustment.**



# 3 Port Mechanical Valve: Heavy Duty Type Series VM800

## Construction



- A
- A
- A
- A
- VM
- VR
- VH
- VHS

### Component Parts

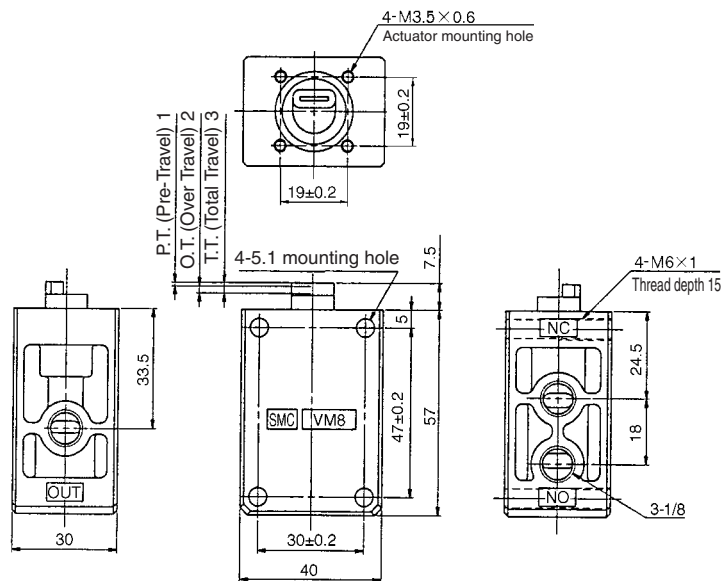
No.	Description	Material	Note
①	Body	ADC	Metallic plated
②	Plunger	POM	
③	Spool valve	Aluminum alloy, NBR	Rubber lined

No.	Description	Material	Note
④	Over travel spring	Stainless steel	
⑤	Retainer	Brass	
⑥	Spring	Steel	Zinc chromated

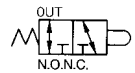
## Series VM800

### Basic

VM830-01-00



### JIS Symbol

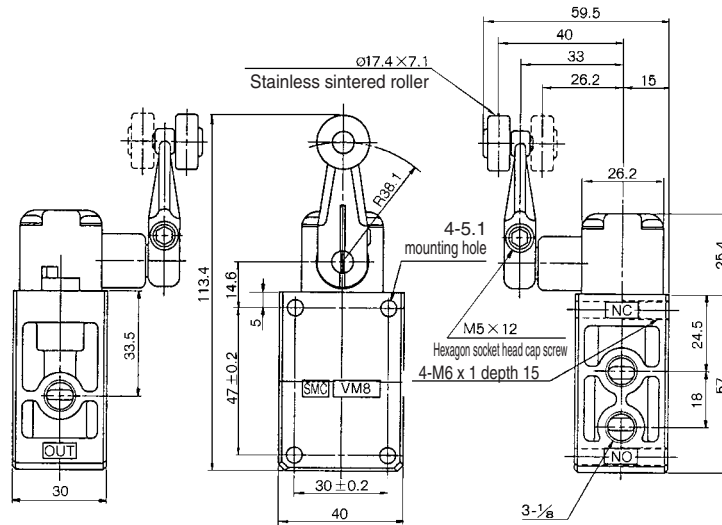


F.O.F.	23 N
P.T.	1.0 mm
O.T.	2.0 mm
T.T.	3.0 mm

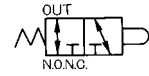
# Series VM800

## Series VM800

### Roller lever VM830-01-01

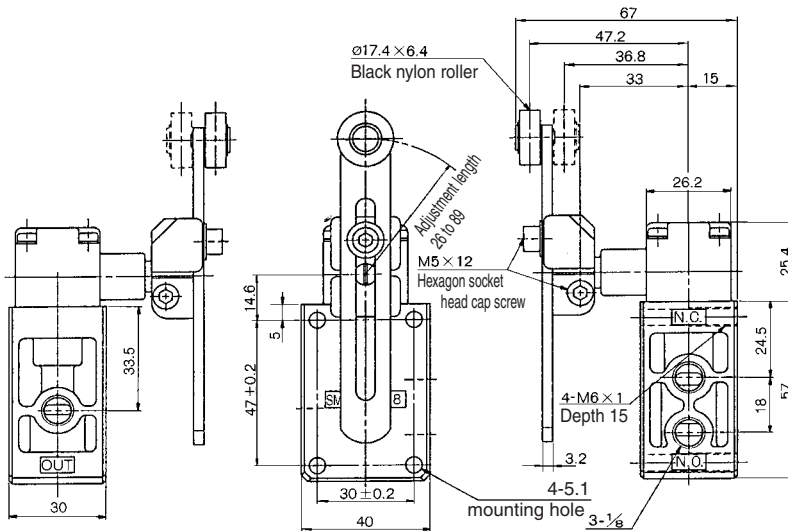


#### JIS Symbol



F.O.F.	20 N
P.T.	20°
O.T.	30°
T.T.	50°

### Adjustable roller lever VM830-01-13



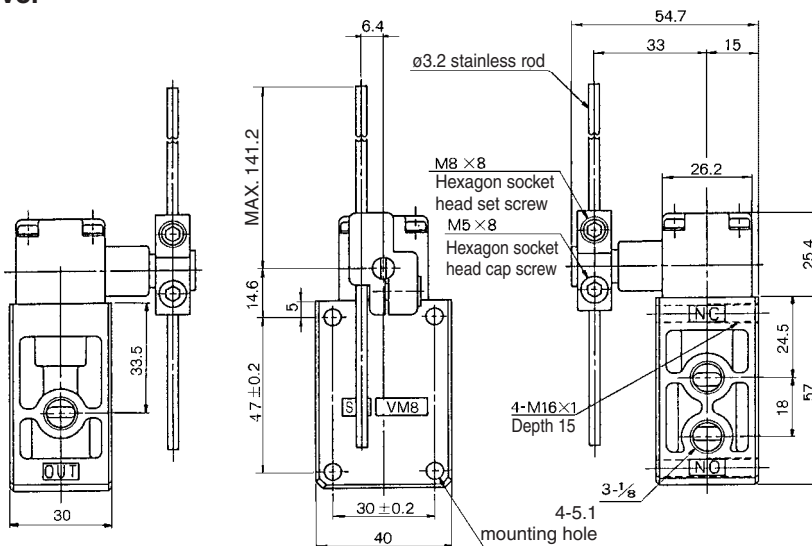
#### JIS Symbol



\* At lever length 38.1 mm

F.O.F. *	20 N
P.T.	20°
O.T.	30°
T.T.	50°

### Adjustable rod lever VM830-01-14



#### JIS Symbol



\* At lever length 141.2 mm

F.O.F. *	2.3 N
P.T.	20°
O.T.	30°
T.T.	50°