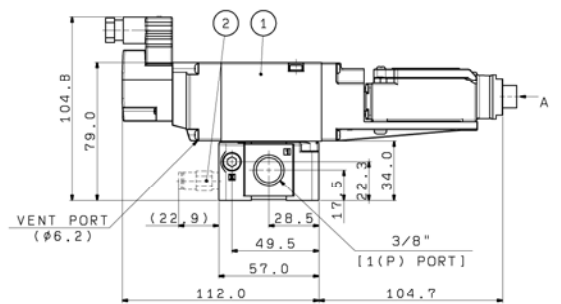
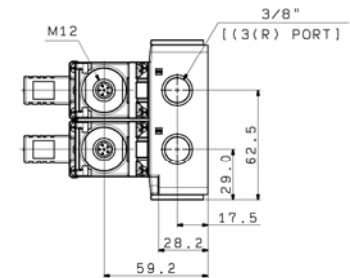
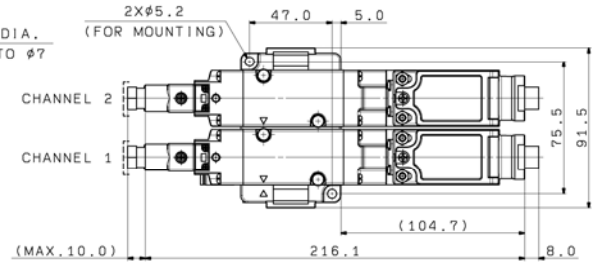
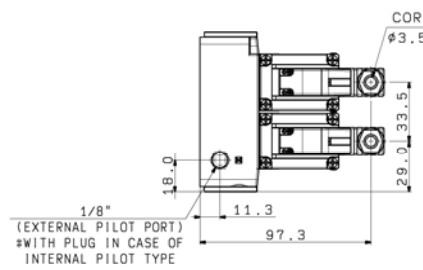


ON 540



VIEW OF A FOR M12 CONNECTOR

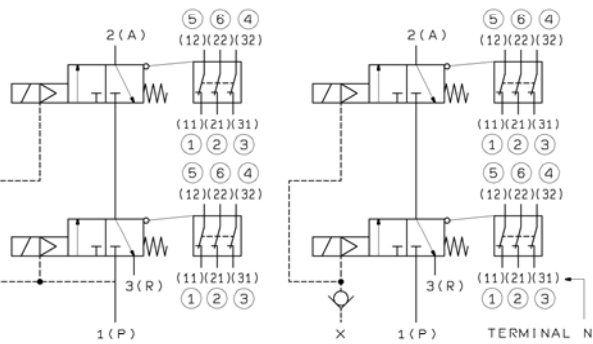


SYMBOL

VP544

VP544R

MODEL No.
VP544(R)-5DZ1-03z-S1z-X596



WITH CHECK VALVE FOR EXTERNAL PILOT TYPE
NIL:WITHOUT CHECK VALVE
A :ONE TOUCH FITTINGS FOR #6 TUBE (THREAD TYPE :RC)
B :ONE TOUCH FITTINGS FOR #1/4" TUBE (THREAD TYPE :NPT)

ELECTRICAL ENTRY FOR SWITCH
S1 :M12 CONNECTOR (ROCKWELL AUTOMATION)

THREAD TYPE
NIL:RC
N :NPT

TERMINAL No. OF LIMIT SWITCH(IN.C.)
M12 CONNECTOR

FLOW SPECIFICATIONS	PASSAGE	1-2		2-3	
		(P→A)	(A→R)	(P→A)	(A→R)
C [dm ³ /(s·bar)]		6.5	6.7		
b		0.08	0.10		
Cv		1.3	1.3		

TYPE OF ACTUATION	NORMALLY CLOSED	
RETURN METHOD	SPRING RETURN	
FLUID	AIR	
PROOF PRESSURE	1.05MPa	
EXTERNAL PILOT	MAIN PRESSURE	0.25~0.7MPa
OPERATING PRESSURE RANGE	PILOT PRESSURE	SAME AS # MAIN PRESSURE
MAXIMUM OPERATING FREQUENCY	30 TIMES / MINUTES	
MINIMUM OPERATING FREQUENCY	1 PER WEEK	
VIBRATION RESISTANCE / IMPACT RESISTANCE	150/30 m/s ²	
AMBIENT & OPERATING FLUID TEMPERATURE	-10 TO 50°C (NO FREEZING)	
AMBIENT HUMIDITY	20 TO 90%RH (NO FREEZING)	
ENVIRONMENT	INDOOR USE ONLY	
ENCLOSURE	IP66	
MASS	0.99kg	

IF THE FLOW RATE OF SUPPLY AIR ON THE INLET SIDE IS NOT SUFFICIENT TO ENSURE THE MINIMUM OPERATING PRESSURE OF 0.25MPa, THE VALVE MAY NOT BE ABLE TO SWITCH P

ELECTRICAL ENTRY	DIN CONNECTOR
COIL RATED VOLTAGE	24VDC
ALLOWABLE VOLTAGE FLUCTUATION	-10% TO 10%
POWER CONSUMPTION	0.45W
SURGE SUPPRESSOR	VARIATOR
INDICATOR	LED

MINIMUM APPLIABLE LOAD	5VDC 5mA (RESISTIVE LOAD)
RATED VOLTAGE / TATED CURRENT	24VDC MAX. 50mA MAX. 0.5H MAX.
RATED INSULATION VOLTAGE	600V

RATED VOLTAGE: 24VDC

- SPECIAL REQUIREMENT
- EXTERNAL METAL COMPONENTS: EPOXY COATING
 - EXTERNAL SCREWS MATERIAL: SUS
 - PROTECTION CODE: IP66

- NOTES
- DIMENSIONS ARE IN MILLIMETERS.
 - UNLESS OTHERWISE NOTED ALONG WITH A SEPARATE CONTRACT OR AGREEMENT WITHIN THE PRODUCT SPECIFICATIONS, THE SAFETY INSTRUCTIONS SPECIFIED IN THE PRODUCT CATALOG ARE APPLIED. PLEASE CONTACT YOUR LOCAL SMC SALES OFFICE FOR FURTHER DETAILS.
 - CE MARKED PRODUCT.
[THE RELEVANT TCF IS AVAILABLE AS STANDARD PRODUCT SERIES.]

2	AKH07B-N01S-X274	BUSHING TYPE CHECK VALVE	1	TYPE: B	
	AKH08B-01S-X274	WITH ONE-TOUCH FITTINGS		TYPE: A	
1		DUAL EXHAUST VALVE	1		
ITEM	PART NO	PART NAME	MATERIAL	QTY	REMARKS
REV	DESCRIPTION	DATE	DESIGNED	REV. NO.	MODEL
TOLERANCES UNLESS SPECIFIED	DRAWN	F. YOSHIDA	SCALE		MODEL
RANGE (mm)	T. GRADE	DATE	2018-08-13	FREE	THIRD ANGLE
0.5003	0.10	DESIGNED	T. TAMURA	DWG NAME	
0.020	0.05	DATE	2018-08-13	DUAL EXHAUST VALVE	
0.010	0.02	CHECKED		DWG NO	
0.005	0.01	DATE		APPROVED	
100±0.400	0.10	DATE		BHAYASHI	
400±0.100	0.10	DATE		VP544(R)-5DZ1-03z-S1z-X596	
100±0.200	0.10	DATE		2016-08-15	

FINISH: #0000 / PAINT: #00 / MASS: #00
PACKING: #0000 / MATERIAL: #00
MATERIAL SIZE: #0000

VP500-PMU001

DWG NO. 108/BA7183400 SMC Corporation