

Series VQ100

How to Order Manifold

Plug lead unit manifold **VV3Q1 2 08 01N**

Applicable solenoid valve (Plug lead type)
VQ1□0□-□L
VQ1□0□-□M
VQ1□0□-□G

Series

1	VQ100
---	-------

Manifold base model no.

2	Plug lead unit
2U	Plug lead unit Type U (large flow type) mounting base

Note) Normally closed and normally open type cannot be mounted on the same manifold.

Stations

02	2 stations
⋮	⋮
20	20 stations

Port size* and thread

Nil	M5, Rc 1/8
01N	NPT 1/8
01T	NPTF 1/8
01F	PF 1/8

* Only thread port size 1/8 type, (Type 2U, P/E port) has choice of thread.

VVQ1000-10A-2

How to Order Manifold Assembly

Specify the part numbers for valves and options together beneath the manifold base part number.

<Example>

Plug-in unit manifold

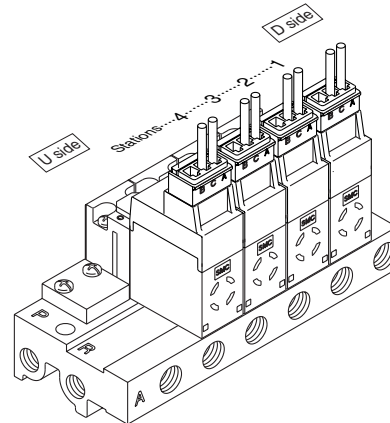
VV3Q12-05.....1 set — Manifold base part no.

*VQ110-5L.....4 set — Valve part no. (1st to 4th stations)

*VVQ100-10A-2.....1 set — Blanking plate part no. (5th stations)

* Prefix the asterisk to the part nos. of the solenoid valve, etc.

Enter in order starting from the first station on the D side.



How to Order Valves

VQ1 1 0 □ 5 L □

Series VQ Compact 3 port valve

Type of actuation

1	N.C. (Normally closed)
2 (Note)	N.O. (Normally open)

Note) Normally open type is available only with standard type. (1 W)

Function

Nil	Standard type (1 W)
H	High pressure type (1.5W)
Y (Note)	Low wattage type (0.5 W)
L*	Latching type, Positive COM
N*	Latching type, Negative COM
U*	Large flow type

* Option
 Note) Except latching and large flow type.

Coil rated voltage

1	100 VAC (50/60 Hz)
2	200 VAC (50/60 Hz)
3	110 VAC (50/60 Hz)
4	220 VAC (50/60 Hz)
5	24 VDC
6	12 VDC
9	Other

For the special voltages, please consult with SMC.

Manual override

Nil	Non-locking push type (Tool required)
B*	Latching type: Push-locking type (Tool required)
	Locking type (Tool required)

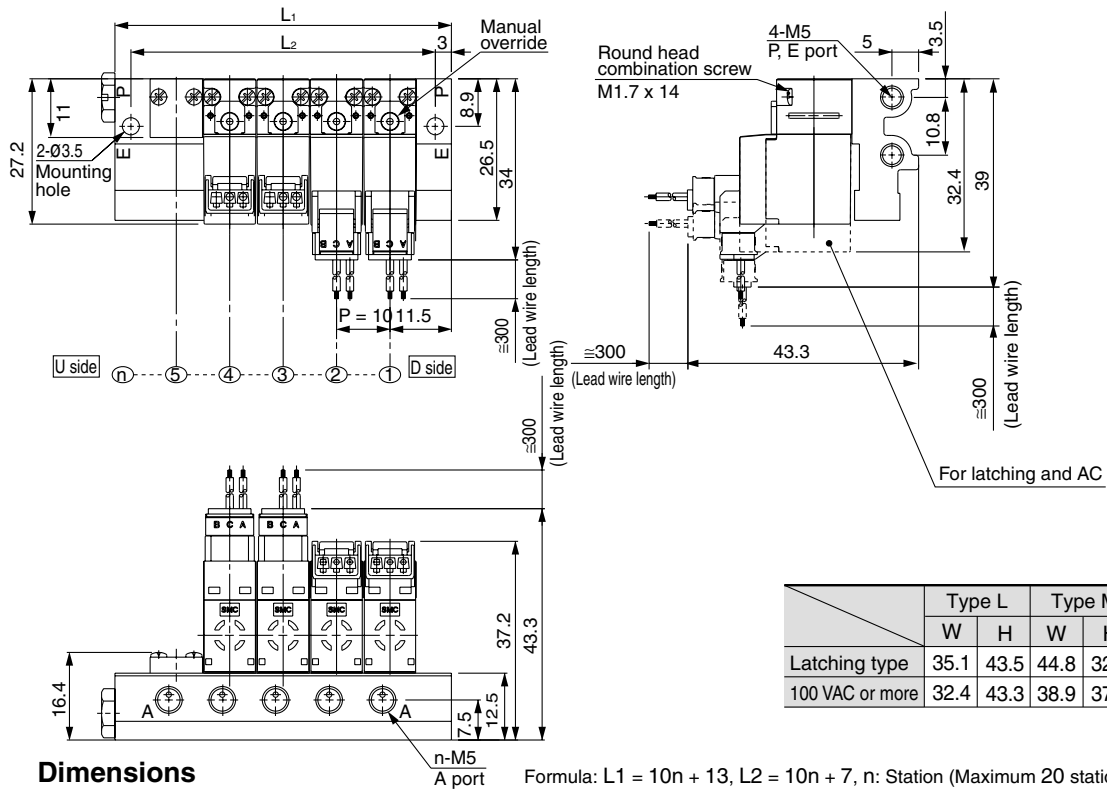
* Option
 Note) Latching manual override: push-locking type only.

Electrical entry

L	L plug connector, With lead wire With light/surge voltage suppressor
LO	L plug connector, Without connector With light/surge voltage suppressor
M	M plug connector, With lead wire With light/surge voltage suppressor
MO	M plug connector, Without connector, With light/surge voltage suppressor
G	Grommet

Note) Grommet: No latching type, AC and large flow

Plug Lead Unit Manifold (VV3Q12)



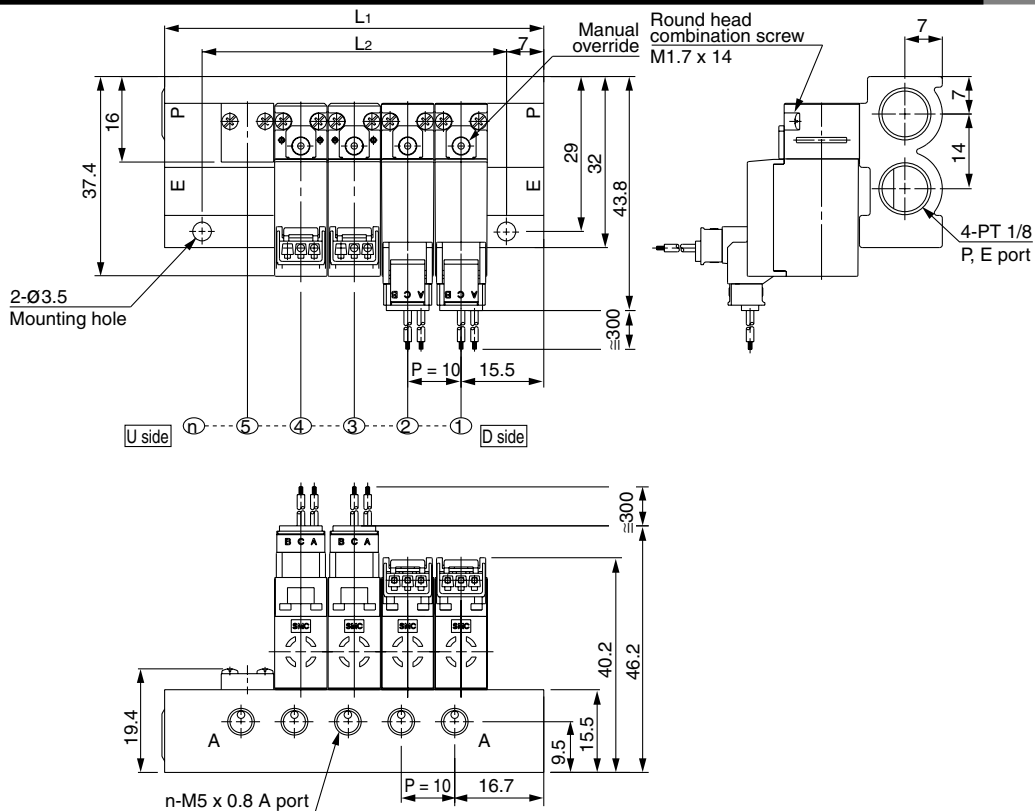
	Type L		Type M	
	W	H	W	H
Latching type	35.1	43.5	44.8	32.2
100 VAC or more	32.4	43.3	38.9	37.2

Dimensions

Formula: $L_1 = 10n + 13$, $L_2 = 10n + 7$, n: Station (Maximum 20 stations)

L \ n	1	2	3	4	5	6	7	8	9	10	11	12	13	14	15	16	17	18	19	20
L1	23	33	43	53	63	73	83	93	103	113	123	133	143	153	163	173	183	193	203	213
L2	17	27	37	47	57	67	77	87	97	107	117	127	137	147	157	167	177	187	197	207

Plug Lead Unit, Type U (Large Flow Type) Mounted Manifold (VV3Q12U)



Dimensions

Formula: $L_1 = 10n + 21$, $L_2 = 10n + 7$, n: Station (Max. 20 stations)

L \ n	1	2	3	4	5	6	7	8	9	10	11	12	13	14	15	16	17	18	19	20
L1	31	41	51	61	71	81	91	101	111	121	131	141	151	161	171	181	191	201	211	221
L2	17	27	37	47	57	67	77	87	97	107	117	127	137	147	157	167	177	187	197	207

V100

SY

SYJ

VK

VZ

VT

VP

VG

VP

S070

VQ

VKF

VQZ

VZ

VS

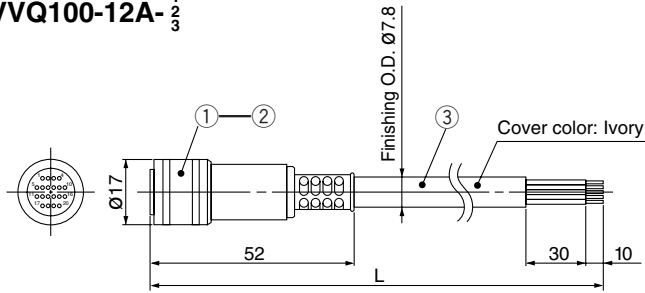
VFN

Series VQ100

Manifold Option

Plug Assembly

VVQ100-12A- $\frac{1}{2}$ / $\frac{3}{3}$



① Plug	RP13A-12PS-20SC <Made by Hirose Electric Co., Ltd.>
② Female contact	RP19-SC-222 <Made by Hirose Electric Co., Ltd.>
③ Vinyl multi-core Cable	VVRF 0.2 mm ² 20 core

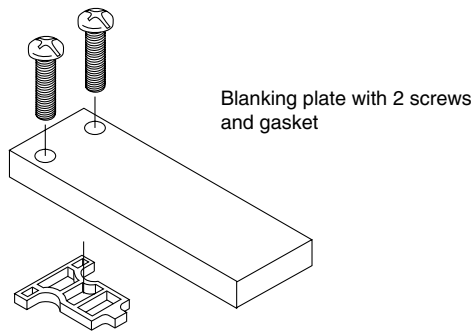
Cable Length

Part no.	L dimension
VVQ100-12A-1	1.5 m
VVQ100-12A-2	3 m
VVQ100-12A-3	5 m

Blanking Plate Assembly

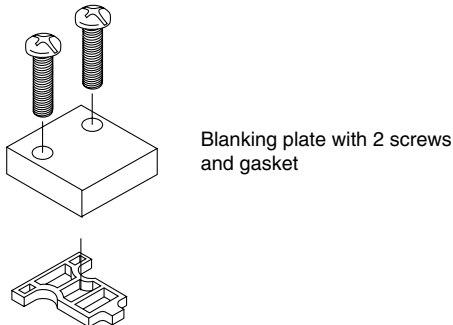
VVQ100-10A-1

Plug-in unit (VV3Q11) for manifold with multiple connectors



VVQ100-10A-2

Plug lead unit (VV3Q12) for manifold



VV3Q11 for Manifold with Multi-connector

<D side end plate assembly>

D side end plate assembly part no.

VVQ100-3A-□

Option

1	Standard type
2	DIN rail mounting

<U side end plate assembly>

U side end plate assembly part no.

VVQ100-2A-□

Option

1	Standard type
2	DIN rail mounting

<DIN rail mounting bracket assembly>

DIN rail mounting bracket assembly part no.

AXT802-1A-□

Mounting direction

D	D side mounting
U	U side mounting

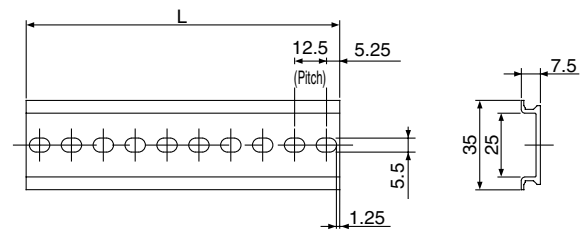
Note) The number of manifold stations cannot be changed.

How to Order Only DIN Rail

DIN rail part no.: AXT100-DR-□

* Refer to DIN rail dimension table below and put number into □ to order DIN rail.

Refer to the manifold dimensions on page 4-12-13 to determine L dimension.



L Dimension

$L = 12.5n + 10.5$

No.	1	2	3	4	5	6	7	8	9	10
L dimension	23	35.5	48	60.5	73	85.5	98	110.5	123	135.5
No.	11	12	13	14	15	16	17	18	19	20
L dimension	148	160.5	173	185.5	198	210.5	223	235.5	248	260.5
No.	21	22	23	24	25	26	27	28	29	30
L dimension	273	285.5	298	310.5	323	335.5	348	360.5	373	385.5
No.	31	32	33	34	35	36	37	38	39	40
L dimension	398	410.5	423	435.5	448	460.5	473	485.5	498	510.5