

Series VQ100

How to Order Manifold

Plug-in unit manifold

Applicable solenoid valve (Plug-in type)
VQ1□□□-□□

- For mounting latching type, please consult with SMC.
- Possible to mount Type U (Large flow type).

Manifold base model no.
1 Plug-in unit

Note) Normally closed and normally open style cannot be mounted on the same manifold.

Series
1 VQ100

Stations

02	2 stations
⋮	⋮
18	18 stations

Electrical entry
C Multi-connector

Lead wire entry direction

U	Top entry
S	Side entry

Cable length

0	Without cable
1	With cable (1.5 m)
2	With cable (3 m)
3	With cable (5 m)

Option

Nil	None
D	DIN rail mounted (With standard length of DIN rail)
DO ^{Note)}	DIN rail mounting style (Without DIN rail)

Note) Order DIN rail separately.
 For DIN rail model number, refer to page 4-12-12.

How to Order Manifold Assembly

Specify the part numbers for valves and options together beneath the manifold base part number.

<Example>
 Plug-in unit manifold with cable (3 m)
 VV3Q11-05CU2...1 set — Manifold base part no.
 *VQ110-5F.....4 set — Valve part no. (1st to 4th stations)
 *VVQ100-10A-1...1 set — Blanking plate part no. (5th stations)

* Prefix the asterisk to the part nos. of the solenoid valve, etc.

Enter in order starting from the first station on the D side.

How to Order Valves

Series VQ
Compact 3 port valve

Type of actuation

1	Normally closed
2 ^{Note)}	Normally open

Note) Normally open type is available only with standard type. (1 W)

Function

Nil	Standard type (1 W)
H	High pressure type (1.5W)
Y ^{Note)}	Low wattage type (0.5 W)
U *	Large flow type

* Option
 Note) Except large flow type.

Manual override

Nil	Non-locking push type (Tool required)
B *	Locking type (Tool required)

* Option

Electrical entry


F	Plug-in With light/surge voltage suppressor (Only for plug-in manifold)
----------	---

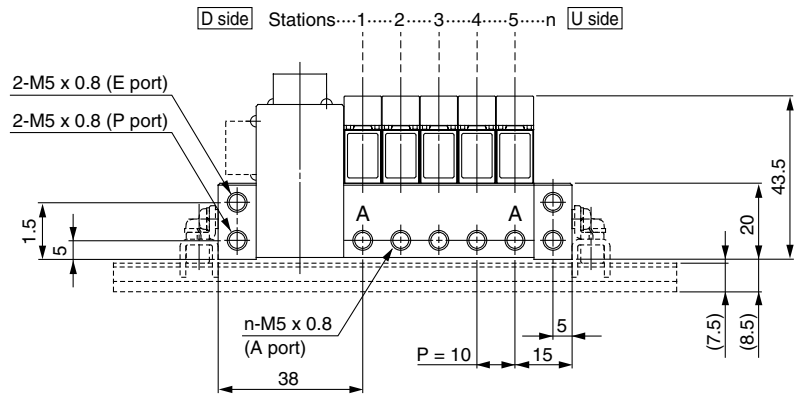
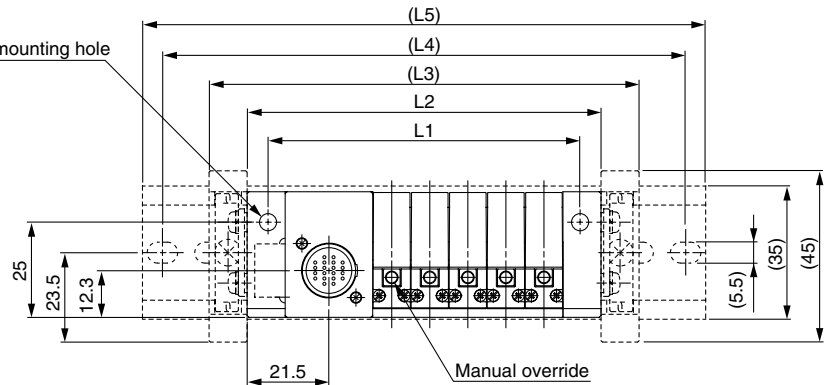
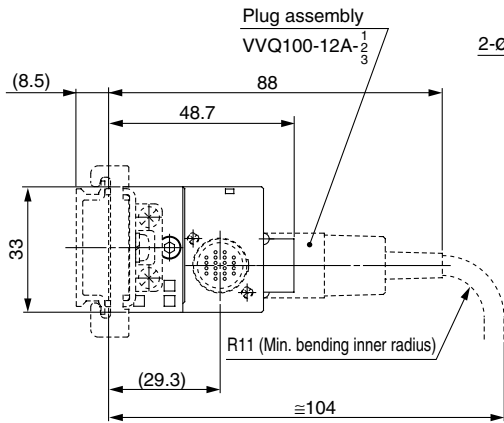
Coil rated voltage

1	100 VAC (50/60 Hz)
2	200 VAC (50/60 Hz)
3	110 VAC (50/60 Hz)
4	220 VAC (50/60 Hz)
5	24 VDC
6	12 VDC
9	Other

For the special voltages, please consult with SMC.

Plug-in Unit (VV3Q11) Manifold with Multi-connector

 The broken line indicates DIN rail mounting style (-D) and side entry connection (S).



Dimensions

Formula: $L1 = 10n + 32$ $L2 = 10n + 43$ n: Stations (Maximum 18 stations)

L \ n	2	3	4	5	6	7	8	9	10	11	12	13	14	15	16	17	18
L1	52	62	72	82	92	102	112	122	132	142	152	162	172	182	192	202	212
L2	63	73	83	93	103	113	123	133	143	153	163	173	183	193	203	213	223
(L3)	83	93	103	113	123	133	143	153	163	173	183	193	203	213	223	233	243
(L4)	112.5	112.5	125	137.5	150	162.5	162.5	175	187.5	200	212.5	212.5	225	237.5	250	262.5	262.5
(L5)	123	123	135.5	148	160.5	173	173	185.5	198	210.5	223	223	235.5	248	260.5	273	273

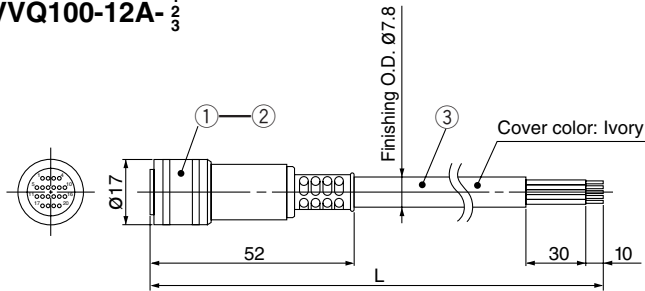
- V100
- SY
- SYJ
- VK
- VZ
- VT
- VP
- VG
- VP
- S070
- VQ**
- VKF
- VQZ
- VZ
- VS
- VFN

Series VQ100

Manifold Option

Plug Assembly

VVQ100-12A- $\frac{1}{2}$ / $\frac{3}{3}$



① Plug	RP13A-12PS-20SC <Made by Hirose Electric Co., Ltd.>
② Female contact	RP19-SC-222 <Made by Hirose Electric Co., Ltd.>
③ Vinyl multi-core Cable	VVRF 0.2 mm ² 20 core

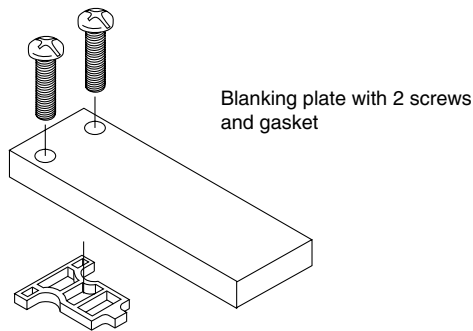
Cable Length

Part no.	L dimension
VVQ100-12A-1	1.5 m
VVQ100-12A-2	3 m
VVQ100-12A-3	5 m

Blanking Plate Assembly

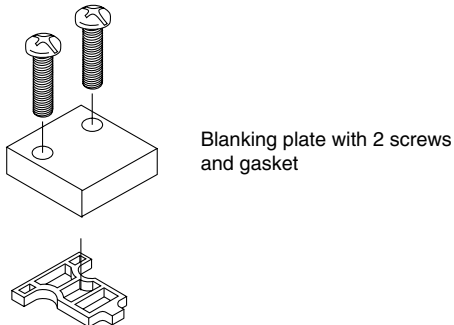
VVQ100-10A-1

Plug-in unit (VV3Q11) for manifold with multiple connectors



VVQ100-10A-2

Plug lead unit (VV3Q12) for manifold



VV3Q11 for Manifold with Multi-connector

<D side end plate assembly>

D side end plate assembly part no.

VVQ100-3A-□

Option

1	Standard type
2	DIN rail mounting

<U side end plate assembly>

U side end plate assembly part no.

VVQ100-2A-□

Option

1	Standard type
2	DIN rail mounting

<DIN rail mounting bracket assembly>

DIN rail mounting bracket assembly part no.

AXT802-1A-□

Mounting direction

D	D side mounting
U	U side mounting



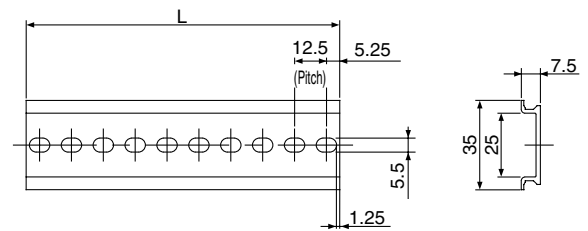
Note) The number of manifold stations cannot be changed.

How to Order Only DIN Rail

DIN rail part no.: AXT100-DR-□

* Refer to DIN rail dimension table below and put number into □ to order DIN rail.

Refer to the manifold dimensions on page 4-12-13 to determine L dimension.



L Dimension

$L = 12.5n + 10.5$

No.	1	2	3	4	5	6	7	8	9	10
L dimension	23	35.5	48	60.5	73	85.5	98	110.5	123	135.5
No.	11	12	13	14	15	16	17	18	19	20
L dimension	148	160.5	173	185.5	198	210.5	223	235.5	248	260.5
No.	21	22	23	24	25	26	27	28	29	30
L dimension	273	285.5	298	310.5	323	335.5	348	360.5	373	385.5
No.	31	32	33	34	35	36	37	38	39	40
L dimension	398	410.5	423	435.5	448	460.5	473	485.5	498	510.5