

# Series VQ100

## How to Order Manifold

### Plug-in Unit Manifold

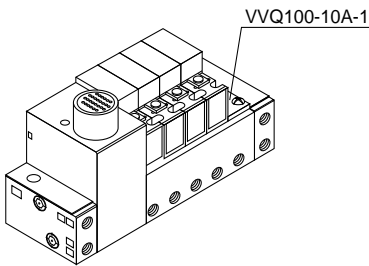
#### Applicable Solenoid Valve (Plug-in style)

#### VQ1□0□-□F

- Consult SMC for mounting latching style.
- Possible to mount U type (large flow capacity).



Note) Normally closed and normally open style cannot be mounted on the same manifold.



**VV3Q 1 1 - 08 C U 1 - D**

#### Series

1	VQ100
---	-------

#### Manifold base

1	Plug-in unit
---	--------------

#### Stations

02	2 stations
⋮	⋮
18	18 stations

#### Electrical entry

C	Multi-connector
---	-----------------

#### Connector location

U	Top entry
S	Side entry

#### Cable length

0	Without cable
1	With cable (1.5m)
2	With cable (3m)
3	With cable (5m)

#### Option

—	None
D	DIN rail mounted (With standard length of DIN rail)
DO <sup>(1)</sup>	DIN rail mounted (Without DIN rail)



Note 1) Order DIN rail separately. Refer to p.2.9-15 for "How to Order" for DIN rail.

## How to Order Manifold Assembly

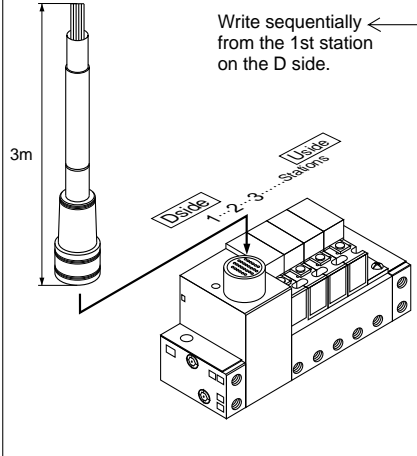
Suffix valve and option nos. to the manifold base No.

< Example >

Plug-in unit manifold with cable (3m)

**VV3Q11-05CU2** ..... 1 set ——— Manifold base part No.  
 \* **VQ110-5F** ..... 4 set ——— Valve part No. (1st to 4th stations)  
 \* **VVQ100-10A-1** ..... 1 set ——— Blank plate (5th station)

Prefix with "\*" to mark parts for ass'y nos. of solenoid valves, etc.



## How to Order Valve

**VQ1 1 0 □ - 5 F □**

#### Series VQ Compact 3 port valve

#### Actuation

1	Normally closed
2	Normally open

#### Functions

—	Standard (1W)
H	High pressure (1.5W)
Y <sup>(1)</sup>	Low wattage (0.5W)
U*	Large flow capacity



\*: Option  
 Note 1) Except for large flow capacity style.

#### Manual override

—	Non-locking push flush style
B*	Locking slotted style

\*: Option

#### Electrical entry

F	Plug-in style With indicator light and surge voltage suppressor (Only for plug-in manifold)
---	--


#### Coil rated voltage

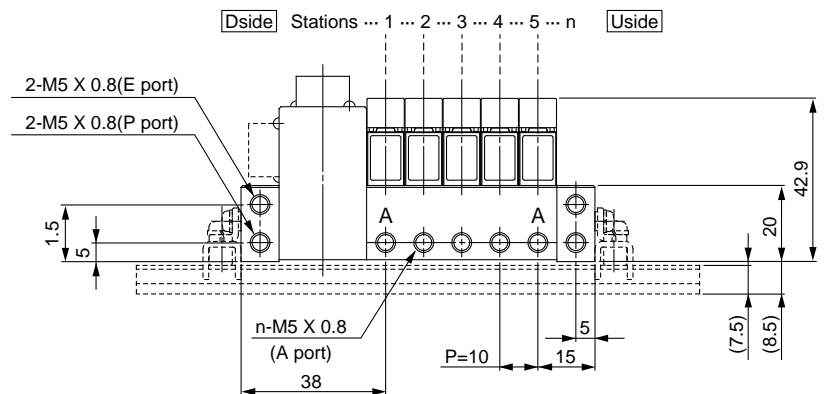
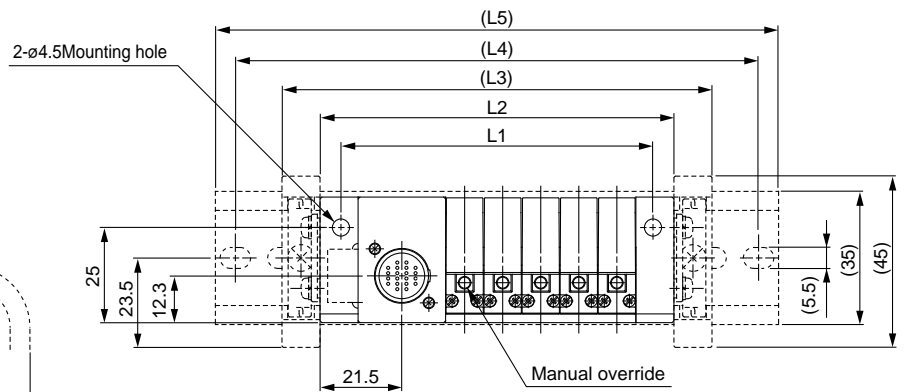
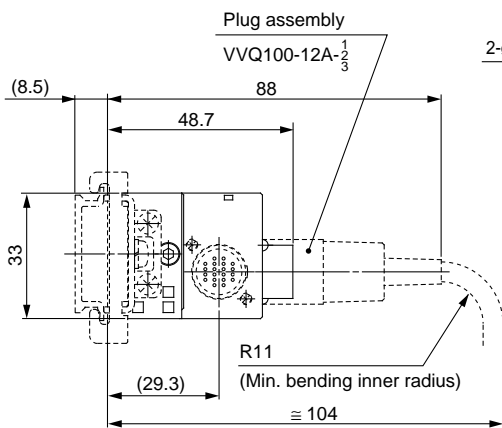
1	100V AC (50/60Hz)
2	200V AC (50/60Hz)
3	110V AC (50/60Hz)
4	220V AC (50/60Hz)
5	24V DC
6	12V DC
9	Other



Consult SMC for peculiar voltages.

## Plug-in Unit (VV3Q11) Manifold with Multi-connector

 The broken line indicates DIN rail mounted style (-D) and side entry connector (S).



### Dimensions

Equation:  $L1=10n+32$   $L2=10n+43$  n: Station (Max. 18)

L \ n	2	3	4	5	6	7	8	9	10	11	12	13	14	15	16	17	18
L1	52	62	72	82	92	102	112	122	132	142	152	162	172	182	192	202	212
L2	63	73	83	93	103	113	123	133	143	153	163	173	183	193	203	213	223
(L3)	83	93	103	113	123	133	143	153	163	173	183	193	203	213	223	233	243
(L4)	112.5	112.5	125	137.5	150	162.5	162.5	175	187.5	200	212.5	212.5	225	237.5	250	262.5	262.5
(L5)	123	123	135.5	148	160.5	173	173	185.5	198	210.5	223	223	235.5	248	260.5	273	273

SY

SYJ

VK

VZ

VT

VT

VP

VG

VP

VQ

VQZ

VZ

VS