

Series VQ4000

Base Mounted

Plug Lead Manifold: C Kit (Connector)

How to Order Manifold

VV5Q 4 5 08 C8 C [] [] W

Series	
4	VQ4000
Manifold	
5	Plug lead unit
Stations	
02	2 stations
⋮	⋮
16	16 stations
Port size	
C8	One-touch fitting for ø8
C10	One-touch fitting for ø10
C12	One-touch fitting for ø12
02	Rc1/4
03	Rc3/8
B	Bottom piping Rc1/4
CM	Mixed size

Options

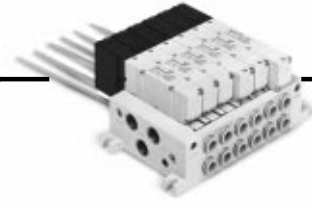
Symbol	Option
	None
CD ⁽²⁾	Exhaust cleaner: D side mounting
CU ⁽²⁾	Exhaust cleaner: U side mounting
SB	Built-in silencer (Direct-exhaust from both sides)
SD	Built-in silencer (Direct-exhaust from D side)
SU	Built-in silencer (Direct-exhaust from U side)
W	Enclosure: IP65

Note 1) When specifying more than one option, combine symbols in alphabetical order. Example) -CDW
 Note 2) Combination of [CU/D] and [SU/D] is not available.

Refer to p.1.11-38 to p.1.11-41

Kit (Connector)

C	Connector kit	Max. 16 stations
---	---------------	------------------



Refer to p.1.11-2 (Grommet style) for wiring specification.

How to Order Valve

VQ 4 1 5 0 [] 5 G [] [] []

Series	
4	VQ4000
Configuration	
1	2 position single
2	2 position double
3	3 position closed center
4	3 position exhaust center
5	3 position pressure center
6	3 position perfect
Seal	
0	Metal
1	Rubber
Function	
-	Standard (1W)
Y ⁽¹⁾	Low wattage (0.5W)
R ⁽²⁾	External pilot

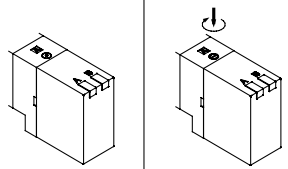
Note 1) Applicable to DC specification.
 Note 2) Refer to p.1.11-46 for external pilot specification. Combination of external pilot and perfect interface is not possible.
 Note 3) When specifying more than one option, indicate symbols alphabetically.

Coil voltage	
1	100V AC (50/60Hz)
2	200V AC (50/60Hz)
3	110V AC (50/60Hz)
4	220V AC (50/60Hz)
5	24V DC
6	12V DC

Enclosure	
-	Dust proof
W	Dust tight, Jet proof (IP65)

Manual override

-: Non-locking push style B: Locking slotted style



Light and surge voltage suppressor	
-	With
E	Without light, with surge suppressor

Electrical entry	
Grommet	G Lead wire length 0.6m
	H Lead wire length 1.5m

How to Order Manifold Ass'y

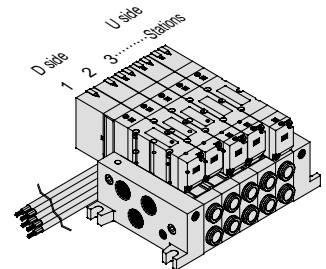
Add suffix valve and option number to the manifold base number.

<Example>
Connector kit

VV5Q45-05C12C...1 set - Manifold base part number
 * VQ4150-5G.....2 set - Valve part No. (Station 1 to 2)
 * VQ4250-5G.....2 set - Valve part No. (Station 3 to 4)
 * VQ4350-5G.....1 set - Valve part No. (Station 5)

Prefix “*” to mark parts for ass'y part number of solenoid valves, etc.

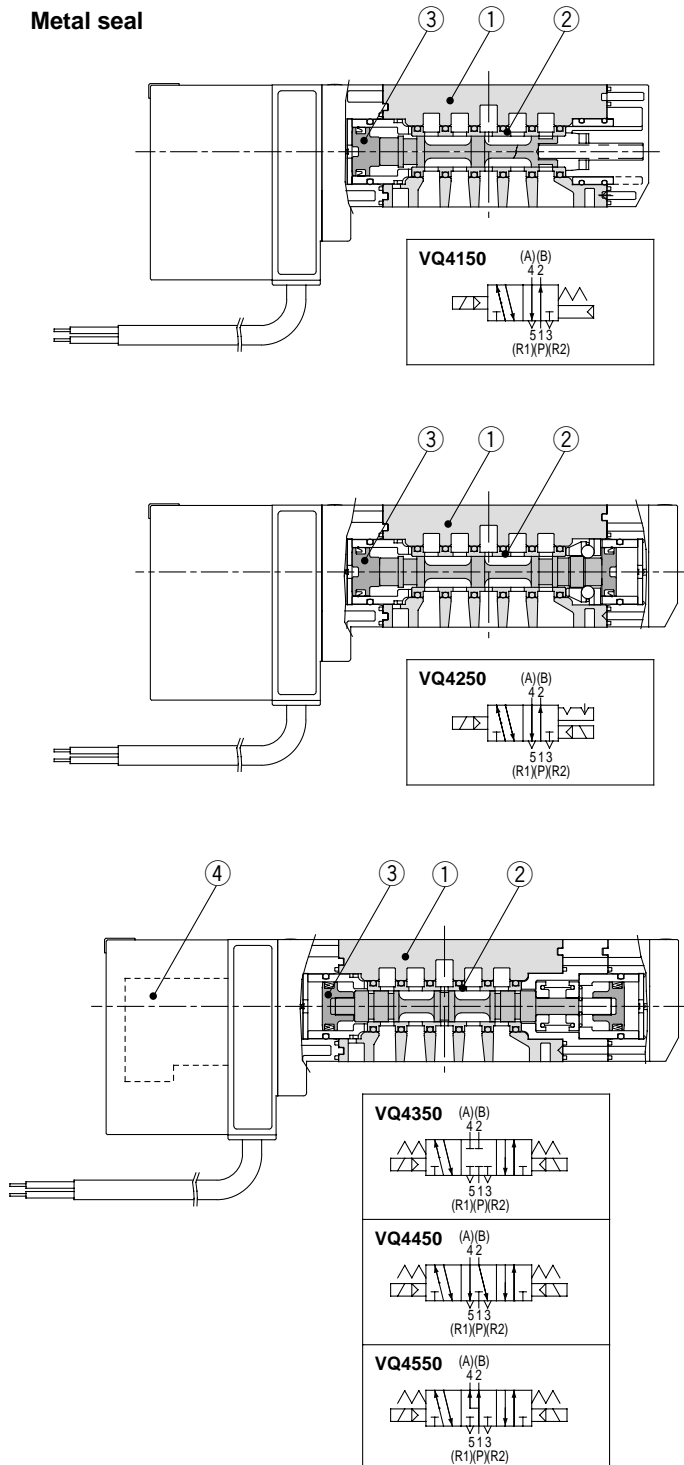
Write sequentially from the 1st station on the D side. When part numbers written collectively are complicated, specify by using a manifold specification form.



Series VQ4000 Construction

Plug Lead Unit

Metal seal



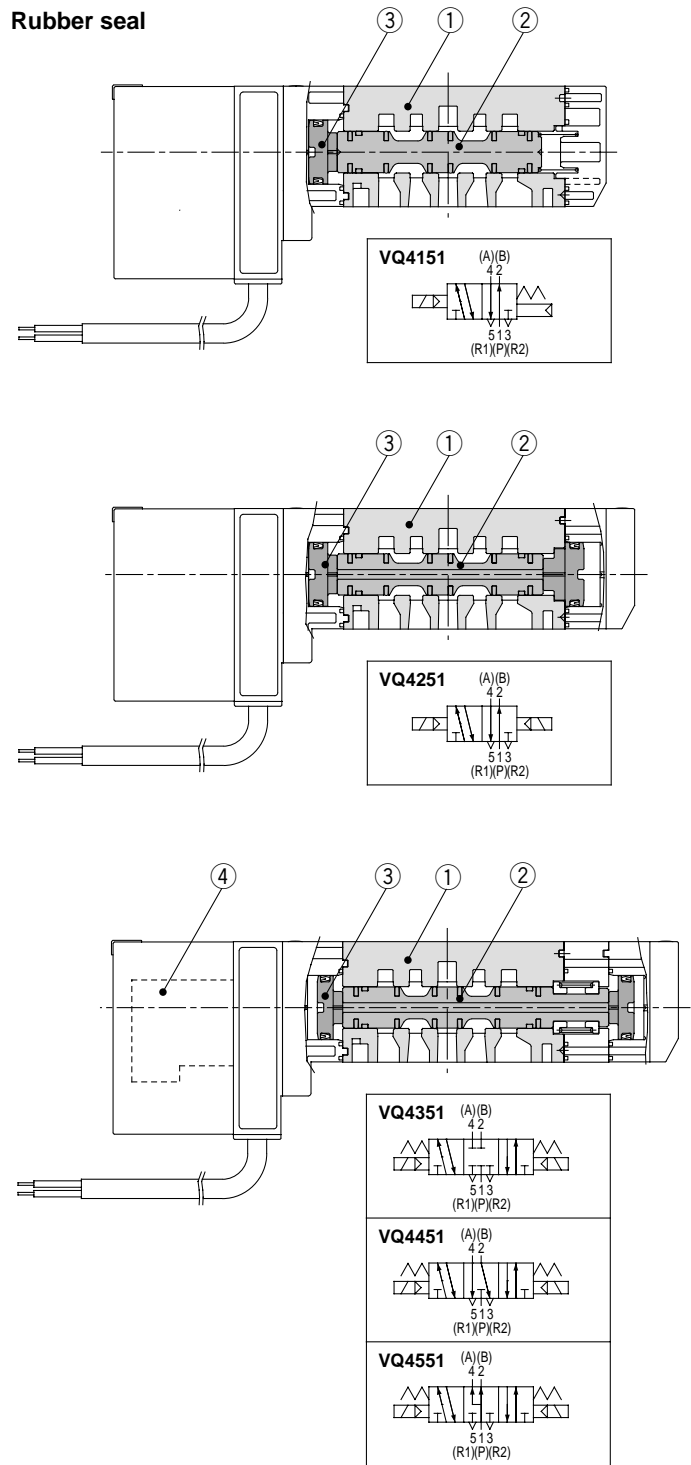
Component Parts

No.	Description	Material	Note
①	Body	Aluminum die-cast	
②	Spool/Sleeve	Stainless steel	
③	Piston	Resin	

Replacement Parts

④	Pilot valve ass'y	VQZ111P-□	*: Coil rated voltage Example) 24V DC: 5
---	-------------------	-----------	---

Rubber seal



Component Parts

No.	Description	Material	Note
①	Body	Aluminum die-cast	
②	Spool valve	Aluminum, NBR	
③	Piston	Resin	

Replacement Parts

④	Pilot valve ass'y	VQZ111P-□	*: Coil rated voltage Example) 24V DC: 5
---	-------------------	-----------	---

SY
SYJ
SX
VK
VZ
VF
VFR
VP7
VP4
VQ
VQ4
VQZ
VQD
VZS
VFS
VS
VS7