

Transmitters: Pneumatic Indicator VR3100

Indicates the presence of pneumatic pressure. It is equivalent to the pilot lamp of an electrical system.



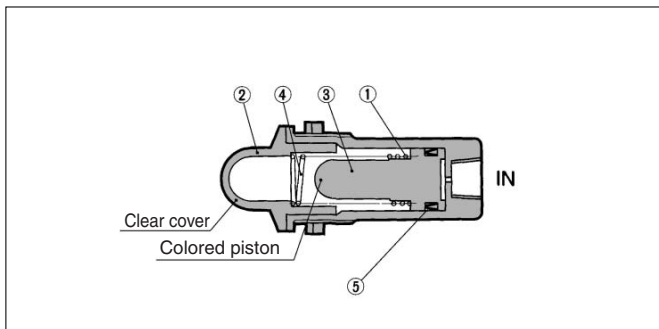
JIS Symbol



Model/Specifications

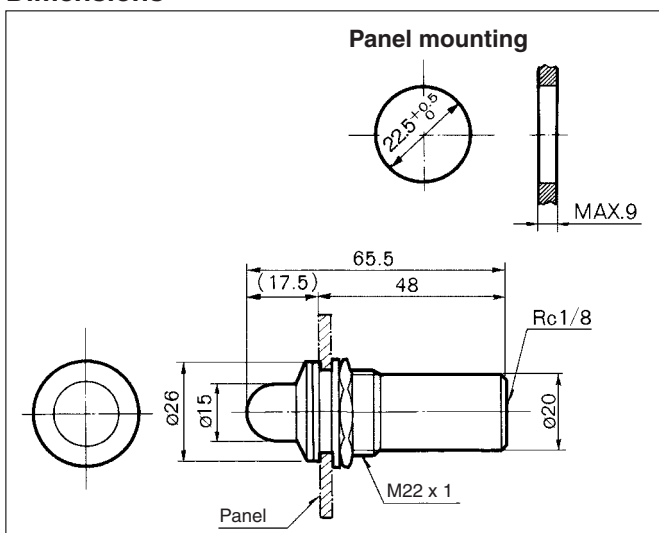
Model	VR3100-01R	VR3100-01G	VR3100-01O
Operating pressure	0.1 to 0.8 MPa		
Ambient and fluid temp.	-5 to 60°C (No freezing)		
Frequency	100 c.p.m. or less		
Color of indicator	Red	Green	Orange
Port size	Rc 1/8		
Weight	40 g		

Construction



No.	Description	Material	Note
①	Body	Aluminum alloy	
②	Indicator window	Acrylic	
③	Piston	POM	
④	Spring	Stainless steel	
⑤	Packing	NBR	

Dimensions



Transmitters: Miniature Pneumatic Indicator VR3110

This is an ultra-compact air indicator light to monitor the presence of air pressure. It is equivalent to the pilot lamp of an electrical system.



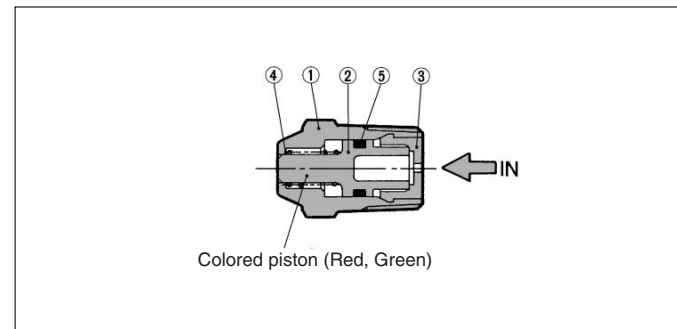
JIS Symbol



Model/Specifications

Model	VR3110-01R	VR3110-01G
Color of indicator	Red	Green
Operation	Piston style	
Operating pressure	0.15 to 1.0 MPa	
Ambient and fluid temp.	-5 to 60°C (No freezing)	
Frequency	300 c.p.m. or less	
Port size	R 1/8	
Weight	6 g	

Construction



No.	Description	Material	Note
①	Body	Brass	
②	Piston A	POM	
③	Plug	PE	
④	Spring	Stainless steel	
⑤	O-ring	NBR	

Dimensions

