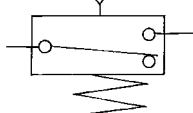


Transmitters: Pneumatic-electric Relay VR3200/3201

Pneumatic-electric relay converts pneumatic signal to electric relay.



JIS Symbol



⚠ Precautions

Be sure to read before handling. Refer to pages 5-11-2 to 6 for Safety Instruction and Solenoid Valve Precautions.

Piping

⚠ Warning

When connecting a pipe fitting to the IN port, place the wrench over the hexagon portion of the lid.

If the wrench is placed over the microswitch body, the neck of the microswitch could break.

Model/Specifications

Model	VR3200-01	VR3201-01
Construction	Open type	Splashproof (IP44 equivalent)
Weight	130 g	260 g
Operating pressure	0.1 to 1.0 MPa	
Ambient and fluid temperature	-5 to 60°C (No freezing)	
Contacts	1 ab	
Port size	1/8	

Microswitch Rating

Voltage	Non-inductive load (A)				Inductive load (A)			
	Resistance load		Light load		Inductive load		Electric motor load	
	N.C.	N.O.	N.C.	N.O.	N.C.	N.O.	N.C.	N.O.
125 VAC	15	15	4	2	10	10	4	2
250 VAC	15	15	3	1.5	10	10	3	1.5
8 VDC	15	15	3	1.5	15	15	5	2.5
14 VDC	15	15	3	1.5	10	10	5	2.5
30 VDC	6	6	3	1.5	5	5	5	2.5
125 VDC	0.5	0.5	0.3	0.3	0.05	0.05	0.05	0.05
250 VDC	0.25	0.25	0.2	0.2	0.03	0.03	0.03	0.03

How to Order

VR320 0 01

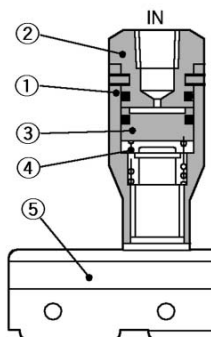
Port size

01	Rc 1/8
N01	NPT 1/8
F01	G 1/8

Construction

0	Open type
1	Splashproof (IP44 equivalent)

Construction

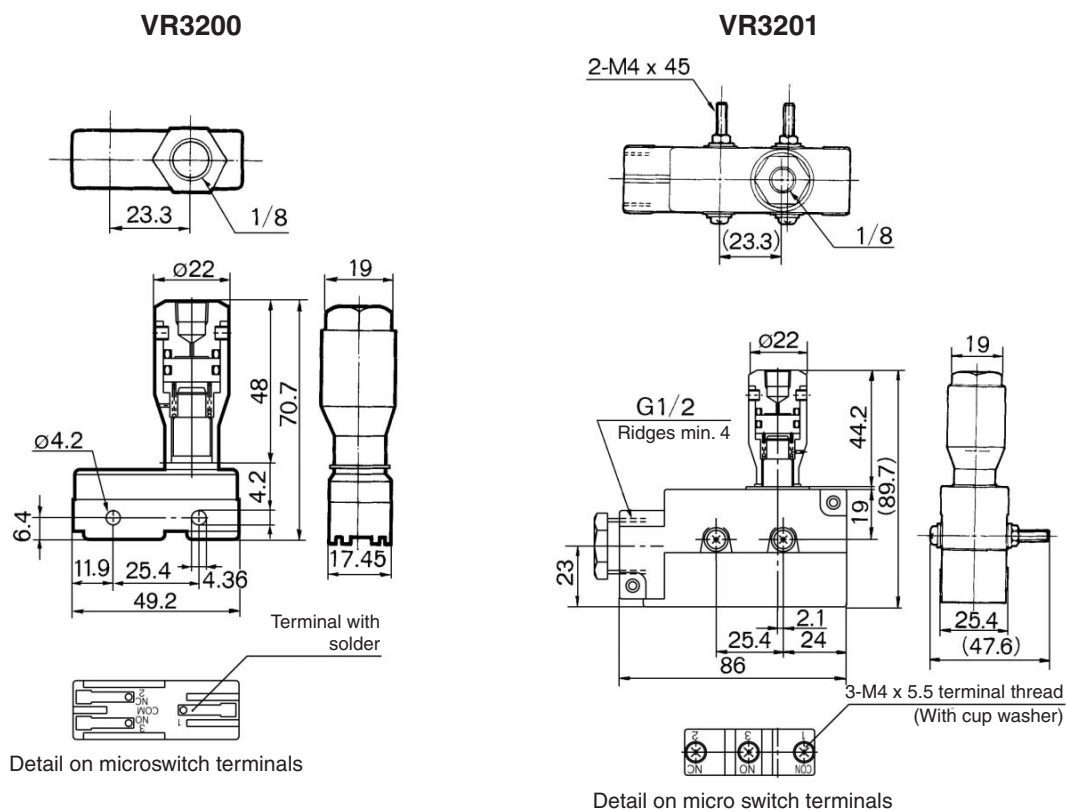


Component Parts

No.	Description	Material	Note	No.	Description	Material	Note
①	Body	Brass		④	Spring	Stainless steel	
②	Cap	Brass		⑤	Microswitch		Contacts 1 ab
③	Piston	POM					

Series VR3200/3201

Dimensions



S□A

V□A

S□A

V□A

VM

VR

VH

VHS