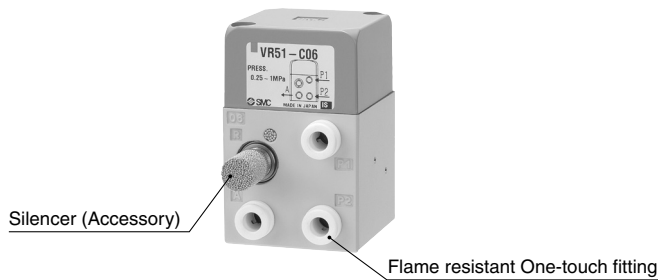


# Two Hand Control Valve Series VR51

## How to Order



**VR51** — **C06** **B**

Two hand control valve

Option

Nil	None
B	With bracket

● Connection piping size

<b>C06</b>	Flame resistant One-touch fitting ø6
<b>C07</b>	Flame resistant One-touch fitting ø1/4

With bracket (Option)



Back side mounting



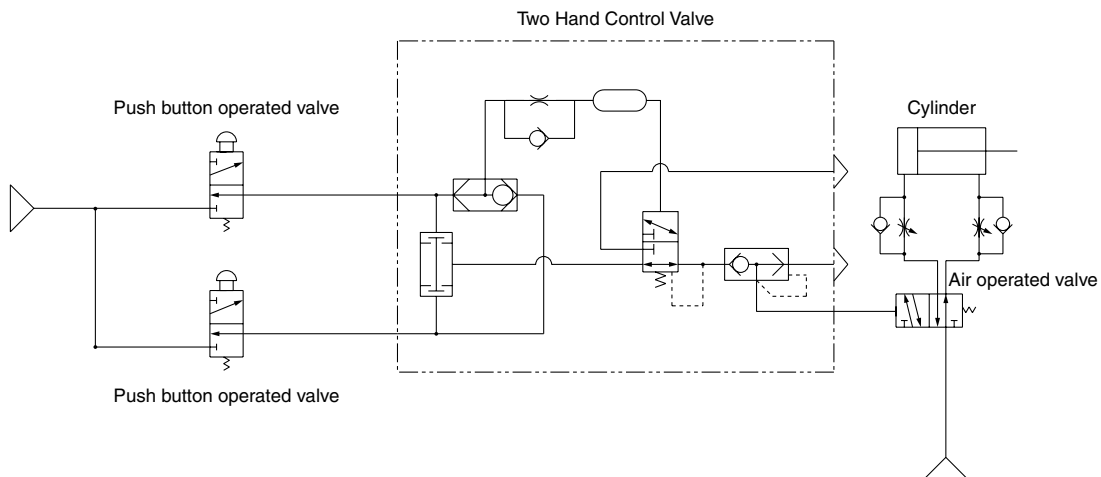
Bottom mounting

## Specifications

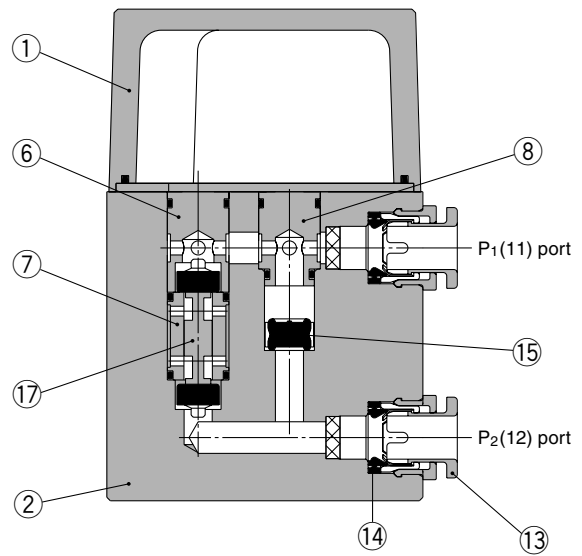
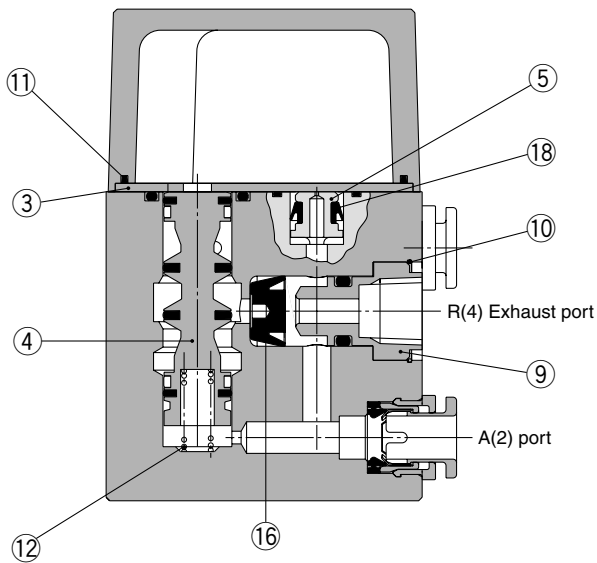
Fluid	Air			
Operating pressure	0.25 to 1 MPa			
Proof pressure	1.5 MPa			
Ambient and fluid temperature	-5 to 60°C (with no freezing)			
Flow characteristics		C[dm <sup>3</sup> /(s·bar)]	b	Cv
	P→A	0.3	—	—
	A→R	1.0	0.12	0.25
Port size	Metric size	ø6		
	Inch size	ø1/4		
Applicable tubing material (Note)	Nylon, Soft nylon, Polyurethane, Flame resistant (FR) soft nylon, FR double layer, FR double layer polyurethane			
Weight	340 g			
Accessory	Silencer	Part No.: AN101-01		
Option	Bracket	Part No.: VR51B		

Note) In the case of using soft nylon or polyurethane tubing, use caution when the maximum operating pressure of the tubing is used.

## Example of a Basic Circuit Diagram



## Construction



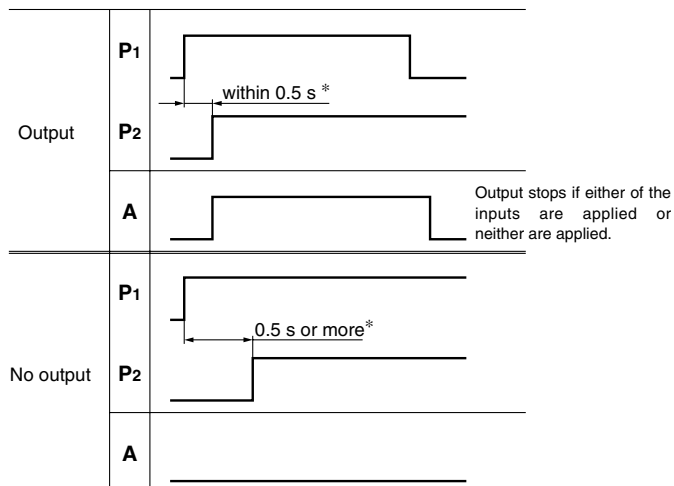
## Component Parts

No.	Description	Material	Note
1	Cover	Diecast aluminum	Urban gray
2	Body	Diecast aluminum	Urban white
3	Plate	Rolled steel	Nickel plated
4	Spool valve	Aluminum alloy	
5	Orifice	Brass	Electroless nickel plated
6	Valve seat	Aluminum alloy	
7	Valve guide B	Aluminum alloy	
8	Valve guide A	Aluminum alloy	
9	Guide	Brass	Electroless nickel plated

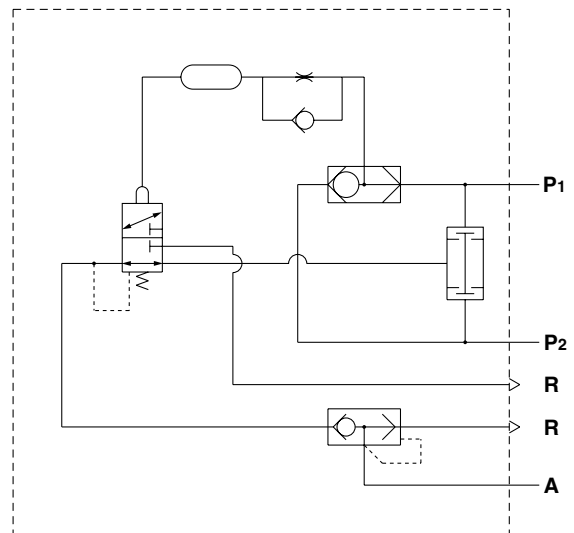
No.	Description	Material	Note
10	Clip	Stainless steel	
11	Gasket	H-NBR	
12	Spring	Stainless steel	
13	Cassette assembly		
14	Seal	NBR	
15	Valve	H-NBR	
16	Valve	NBR	
17	Valve	H-NBR	
18	U-shaped seal	H-NBR	

## Timing of Motion

\* The time lag for operation is different depending on the operating pressure. The higher the operating pressure, the shorter the time lag, and vice versa. When the operating pressure is 1 MPa, the time lag will be within approximately 0.1 seconds.

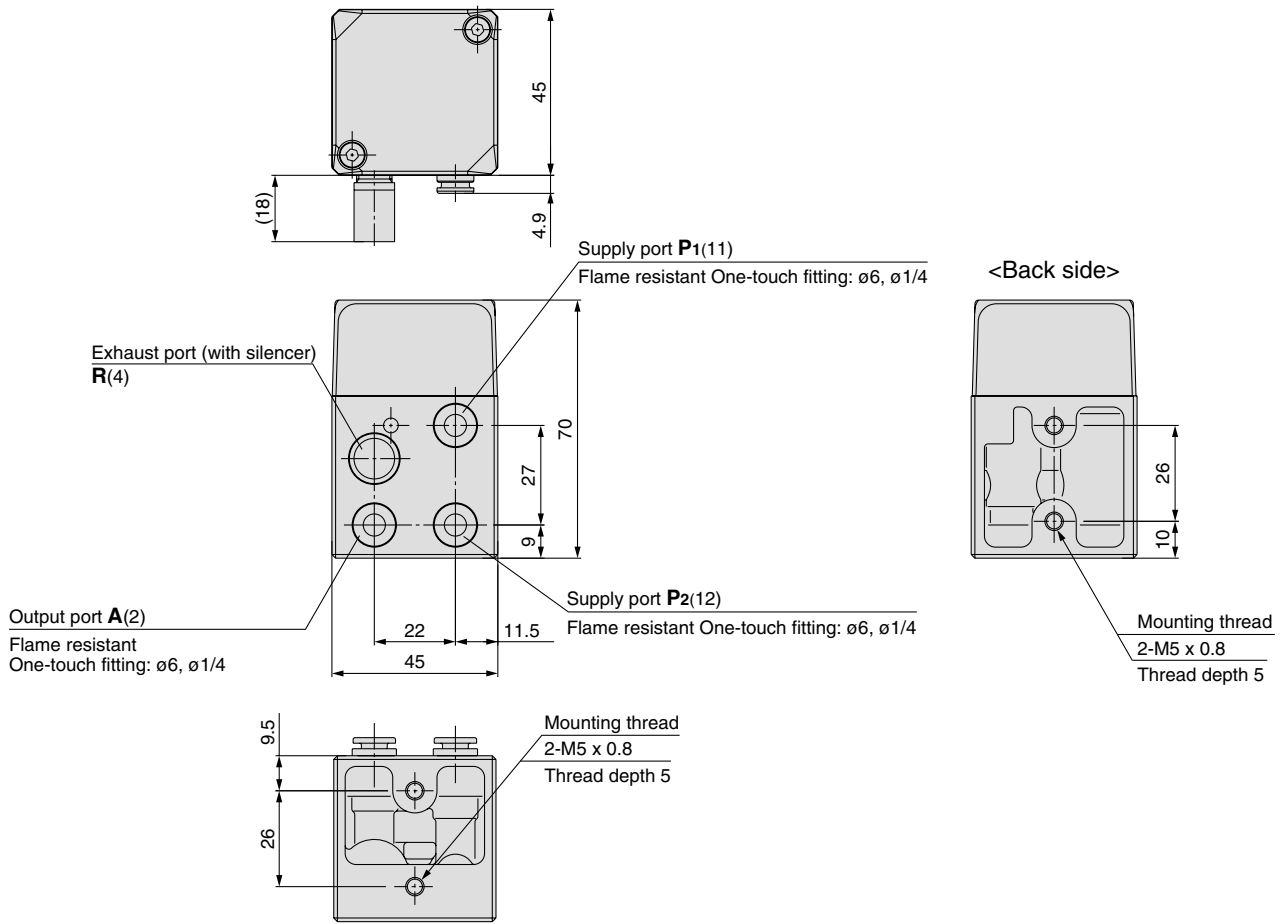


## Circuit Diagram



# Series VR51

## Dimensions



## Bracket mounting dimensions

