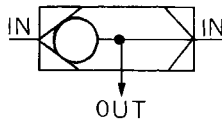


# Transmitters: Shuttle Valve VR1210/1220

3 ported check valve with one output and 2 pneumatic signal input ports. Output always supplied by high pressure inlet.



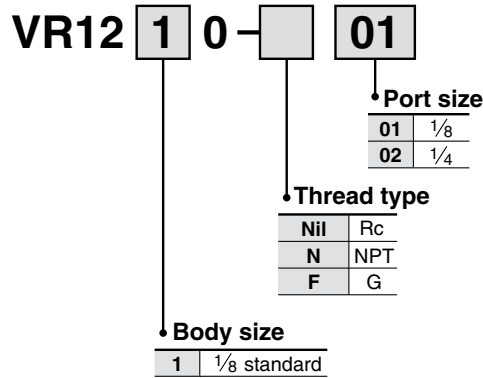
JIS Symbol



## Model/Specifications

Model	VR1210-01	VR1220-02
Max. operating pressure	1.0 MPa	
Min. operating pressure	0.05 MPa	
Min. pressure differential	0.05 MPa	
Ambient and fluid temperature	-5 to 60°C (No freezing)	
Effective area	7 mm <sup>2</sup>	15 mm <sup>2</sup>
Port size	1/8	1/4
Weight	24 g	45 g

## How to Order



□A

V□A

□A

V□A

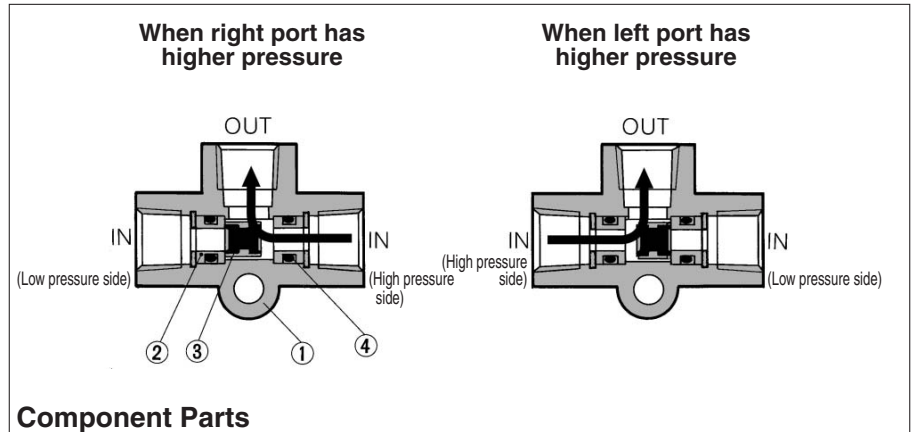
VM

**VR**

VH

VHS

## Construction



## Component Parts

No.	Description	Material	Note	No.	Description	Material	Note
①	Body	ADC	Metallic plated	③	Valve	Brass, NBR	
②	Valve seat	Brass		④	O-ring	NBR	

## Dimensions

