

RUBBER SEAL/METAL SEAL SERIES VSR8/VSS8



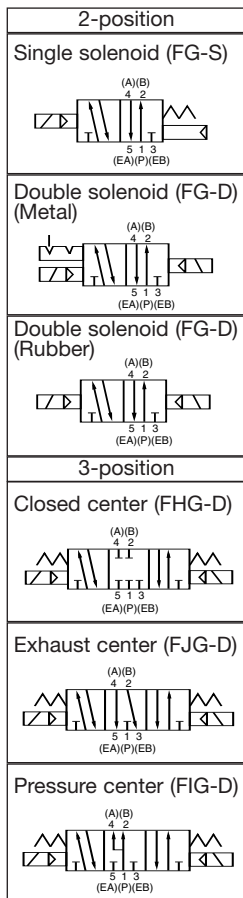
Model

Size	Model	Seal	Effective area (mm ²) (Cv)	Response time (ms) ^{Note2)}			Weight ^{Note3)} g (lb)	Port size
				Single	Double	3 position		
1	VSR8-6	Rubber	36 (2.0)	30	30	50	552 (1.21)	1/4, 3/8, 1/2
	VSS8-6	Metal	32 (1.8)	25	20	45		
2	VSR8-8	Rubber	72 (4.0)	50	50	70	824 (1.81)	3/8, 1/2, 3/4
	VSS8-8	Metal	65 (3.6)	40	20	55		
3	VSR8-10	Rubber	97 (5.4)	80	50	95	1000 (2.21)	1/2, 3/4, 1
	VSS8-10	Metal	90 (5.0)	50	25	60		

Note 1) With port size 1/2 for VSR/VSS8-6, 3/4 for VSR/VSS8-10

Note 2) Subject to JISB8375-1981. At 0.5MPa (71psi)

Note 3) Single solenoid type without base



Specifications

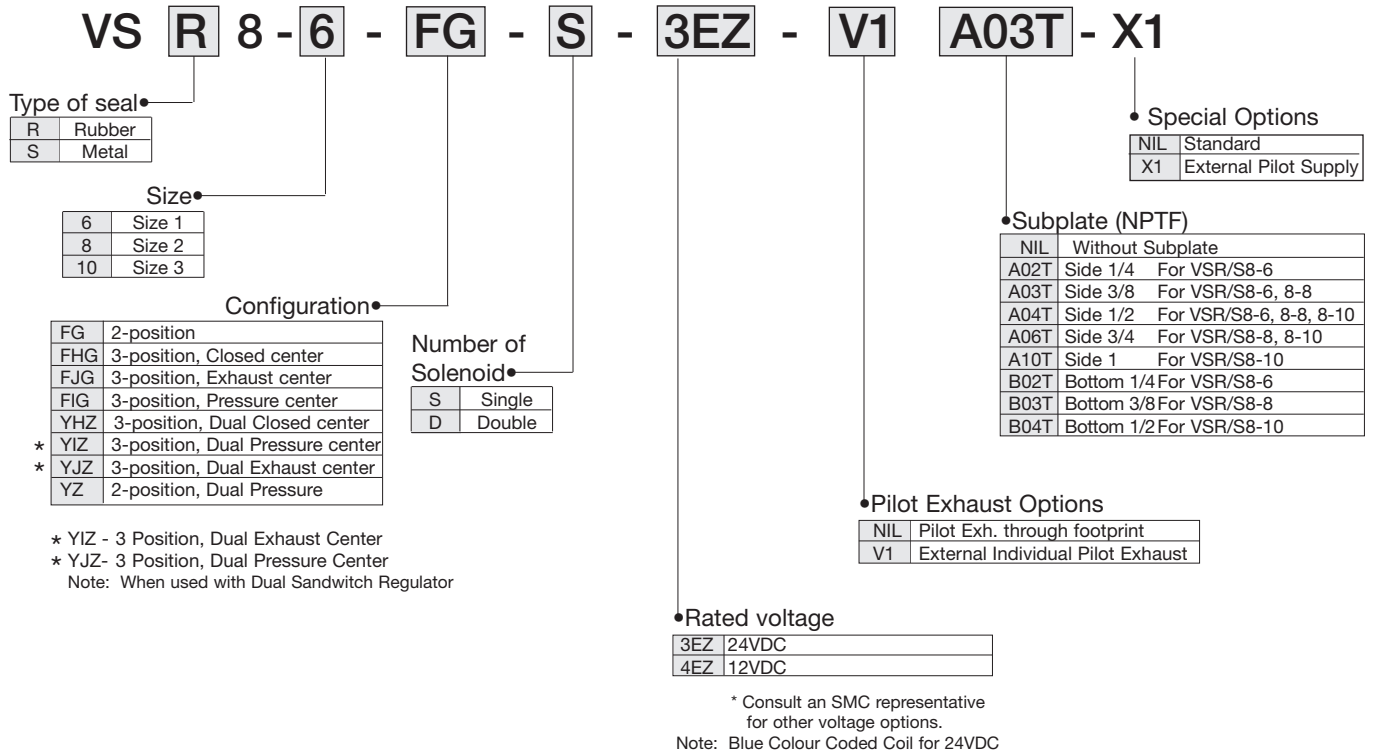
		Rubber Seal	Metal Seal
Valve operation		Pilot operated, 5 port	
Fluid		Air, Inert gas	
Operating pressure range MPa (psi)		0.1~1.0 (14.5~145)	0.1~1.6 (14.5~230) ^{Note1)}
Proof pressure MPa (psi)		1.5 (217)	2.4 (348)
Ambient and fluid temperature °C (°F) ^{Note2)}		-5~50 (23~122)	-20~60 (-4~140)
Maximum operating frequency cycle/Sec. ^{Note3)}	2-position	8-6:5, 8-8:5, 8-10:5	8-6:20, 8-8:15, 8-10:10
	3-position	8-6:3, 8-8:3, 8-10:2	8-6:10, 8-8:10, 8-10:20
Lubrication		Not required	
Manual override		non-locking push type	
Protection structure		NEMA 4/IP65	
Coil rated voltage		24VDC, 12VDC	
Allowable voltage range %		-15~10% of rated voltage	
Coil insulation		Class B or equivalent	
Apparent power VA ^{Note3)} For 12 VDC	Inrush	50Hz	5.6
	Holding	50Hz	5.0
Apparent power VA ^{Note3)} For 24 VDC	Inrush	50Hz	3.4
	Holding	60Hz	2.3
Power consumption W		N/A	
Surge voltage suppressor and indicator light		.075 AMPS	
Power consumption W		1.8	
Surge voltage suppressor and indicator light		Available as option	

Note 1) Pilot pressure range should be 0.1~1.0MPa (14.5~145psi).

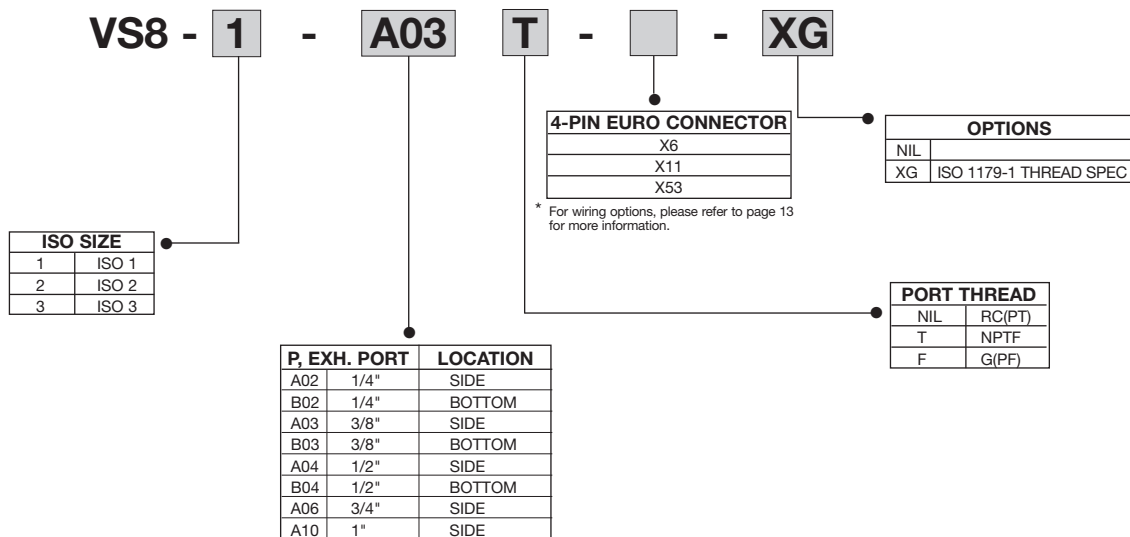
Note 2) Use dry air to prevent dew condensation when operating at low temperature.

Note 3) Subject to JISB8375-1975.

HOW TO ORDER VALVE



HOW TO ORDER ISO SUB-BASES

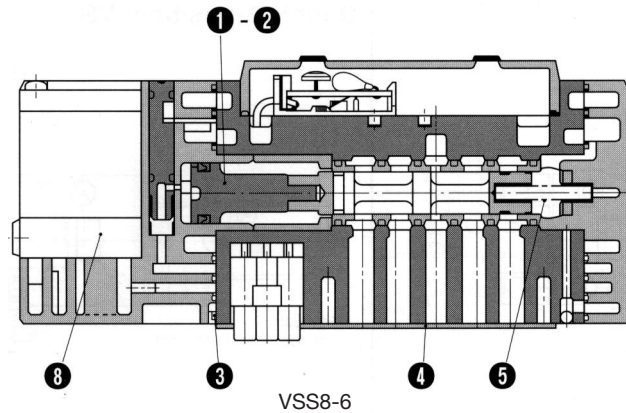


ISO SUB BASES WITH 4-PIN CONNECTORS

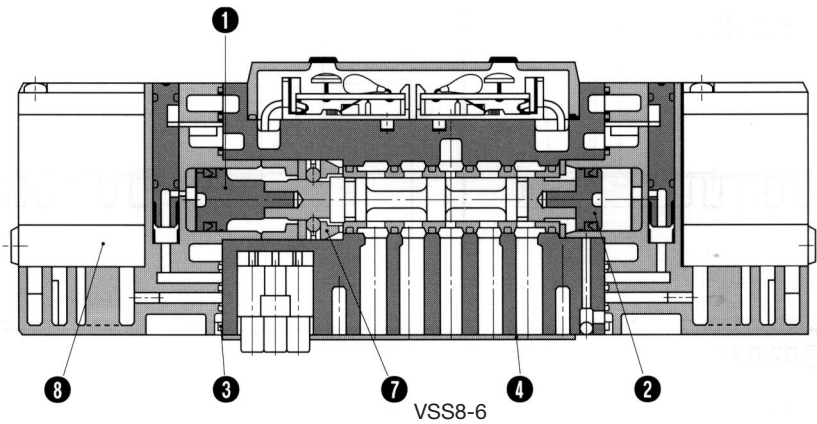
DESCRIPTION	PART#
VS8-1-A03T with 4 pin micro-connector	US15893
VS8-2-A04T with 4 pin micro-connector	US2249
VS8-3-A06T with 4 pin micro-connector	US18552

CONSTRUCTION

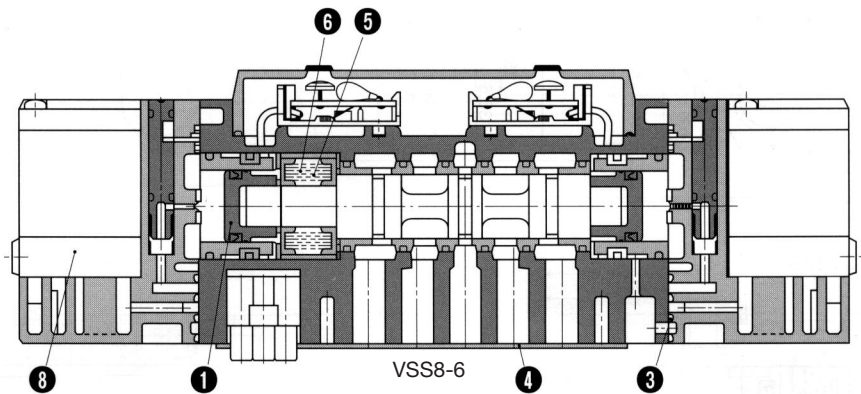
SERIES VSS (METAL SEAL TYPE) SINGLE SOLENOID



DOUBLE SOLENOID



3-POSITION

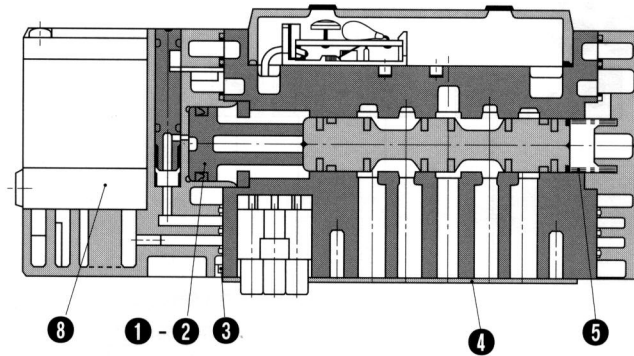


PART LIST

Description	Single solenoid			Double solenoid			3 position		
	VSS8-6	VSS8-8	VSS8-10	VSS8-6	VSS8-8	VSS8-10	VSS8-6	VSS8-8	VSS8-10
1. Piston assembly A	-	-	-	-	-	-	-	-	-
2. Piston assembly B	-	-	-	-	-	-	-	-	-
3. Gasket	-	-	-	-	-	-	-	-	-
4. Gasket	VS8060-19-1	VS8060-19-1	VS8060-19-1	VS8060-19-1	VS8060-19-1	VS8060-19-1	VS8060-19-1	VS8060-19-1	VS8060-19-1
5. Return spring A	-	-	-	-	-	-	-	-	-
6. Return spring B	-	-	-	-	-	-	-	-	-
7. Detent assembly	-	-	-	-	-	-	-	-	-
8. Pilot valve assembly	SF4-□ F-30	SF4-□ F-30	SF4-□ F-30	SF4-□ F-30	SF4-□ F-30	SF4-□ F-30	SF4-□ F-30	SF4-□ F-30	SF4-□ F-30

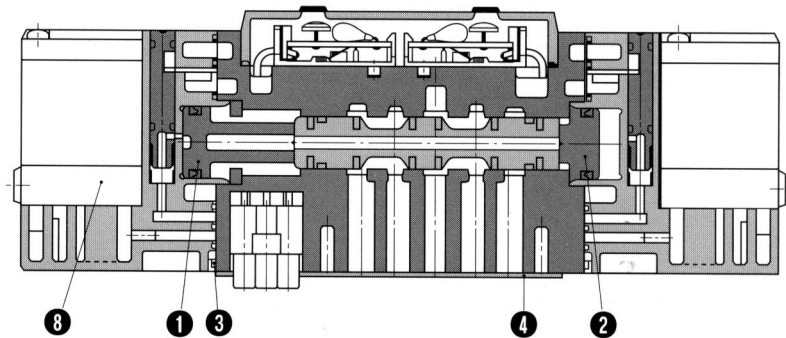
CONSTRUCTION

SERIES VSR (RUBBER SEAL TYPE)
SINGLE SOLENOID



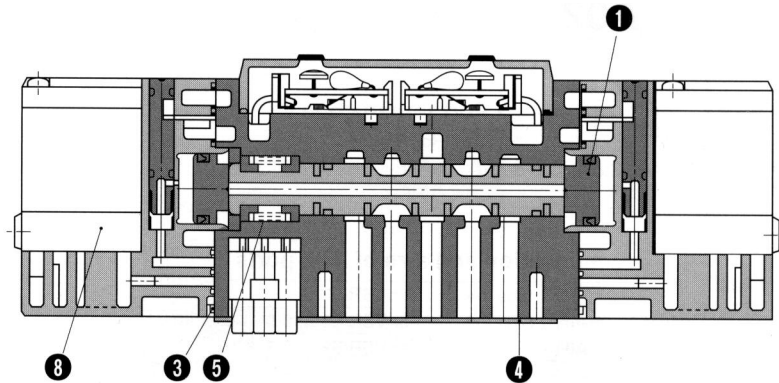
VSR8-6

DOUBLE SOLENOID



VSR8-6

3-POSITION

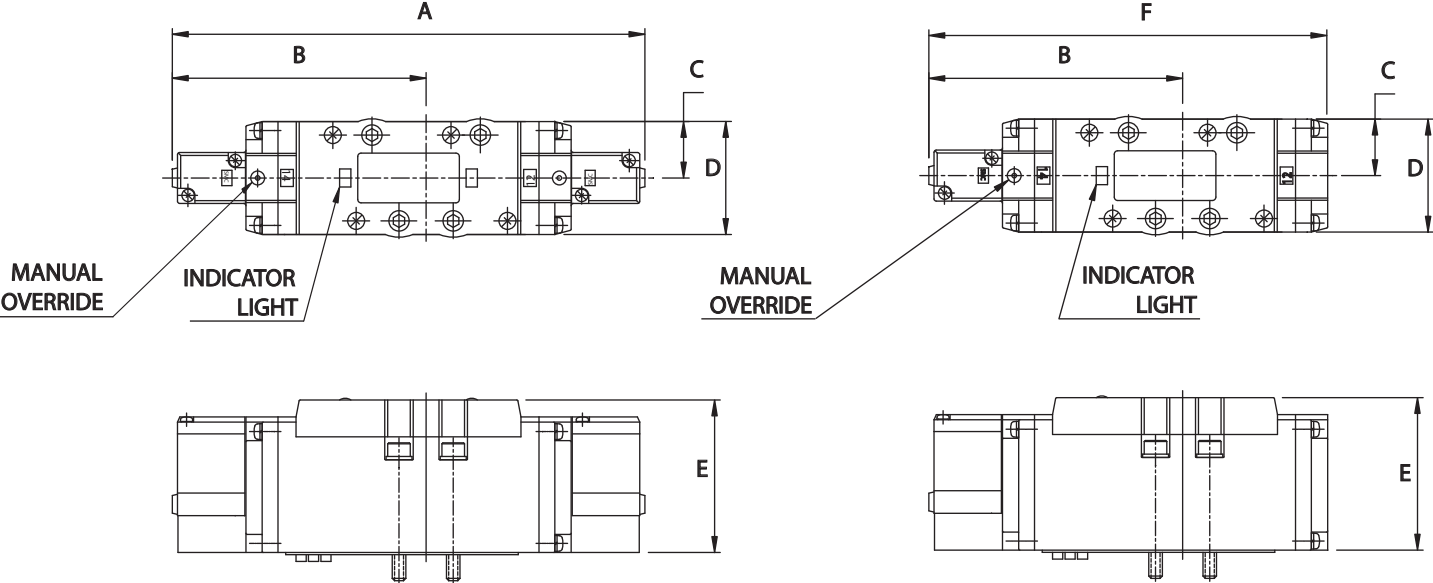


VSR8-6

PART LIST

Description	Single solenoid			Double solenoid			3 position		
	VSS8-6	VSS8-8	VSS8-10	VSS8-6	VSS8-8	VSS8-10	VSS8-6	VSS8-8	VSS8-10
1. Piston assembly A	-	-	-	-	-	-	-	-	-
2. Piston assembly B	-	-	-	-	-	-	-	-	-
3. Gasket	-	-	-	-	-	-	-	-	-
4. Gasket	VS8060-19-1	VS8060-19-1	VS8060-19-1	VS8060-19-1	VS8060-19-1	VS8060-19-1	VS8060-19-1	VS8060-19-1	VS8060-19-1
5. Return spring A	-	-	-	-	-	-	-	-	-
6. Return spring B	-	-	-	-	-	-	-	-	-
7. Detent assembly	-	-	-	-	-	-	-	-	-
8. Pilot valve assembly	SF4-□ F-30	SF4-□ F-30	SF4-□ F-30	SF4-□ F-30	SF4-□ F-30	SF4-□ F-30	SF4-□ F-30	SF4-□ F-30	SF4-□ F-30

VALVES

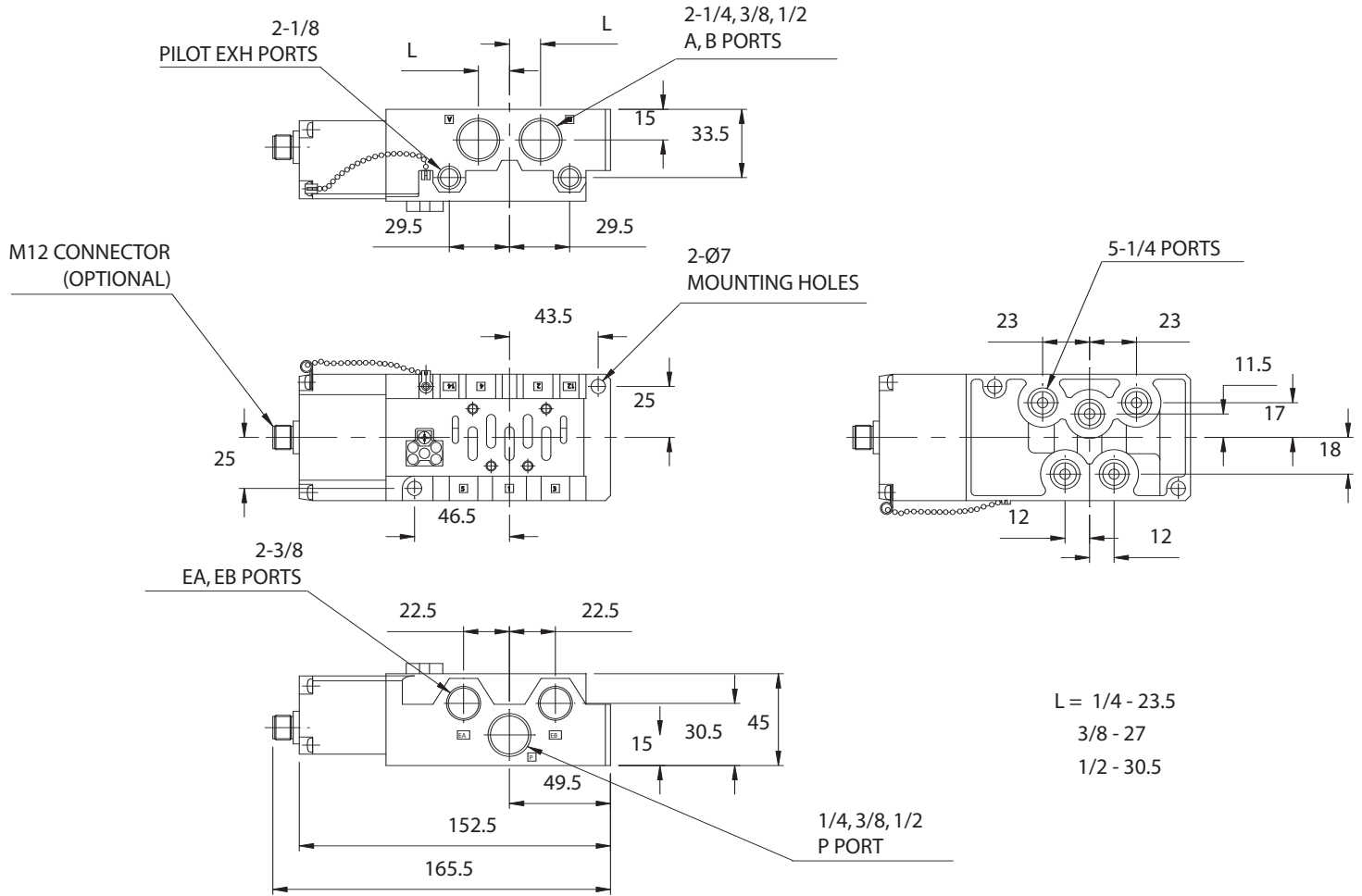


ALL DIMENSIONS ARE IN MILLIMETERS

	A	B	C	D	E	F
SIZE 1	188.5	103	19	38	65	150.5
SIZE 2	205	110.5	25	50	67.5	175
SIZE 3	228	122	32	64	71	198

ISO SIZE 1 SUB-BASE

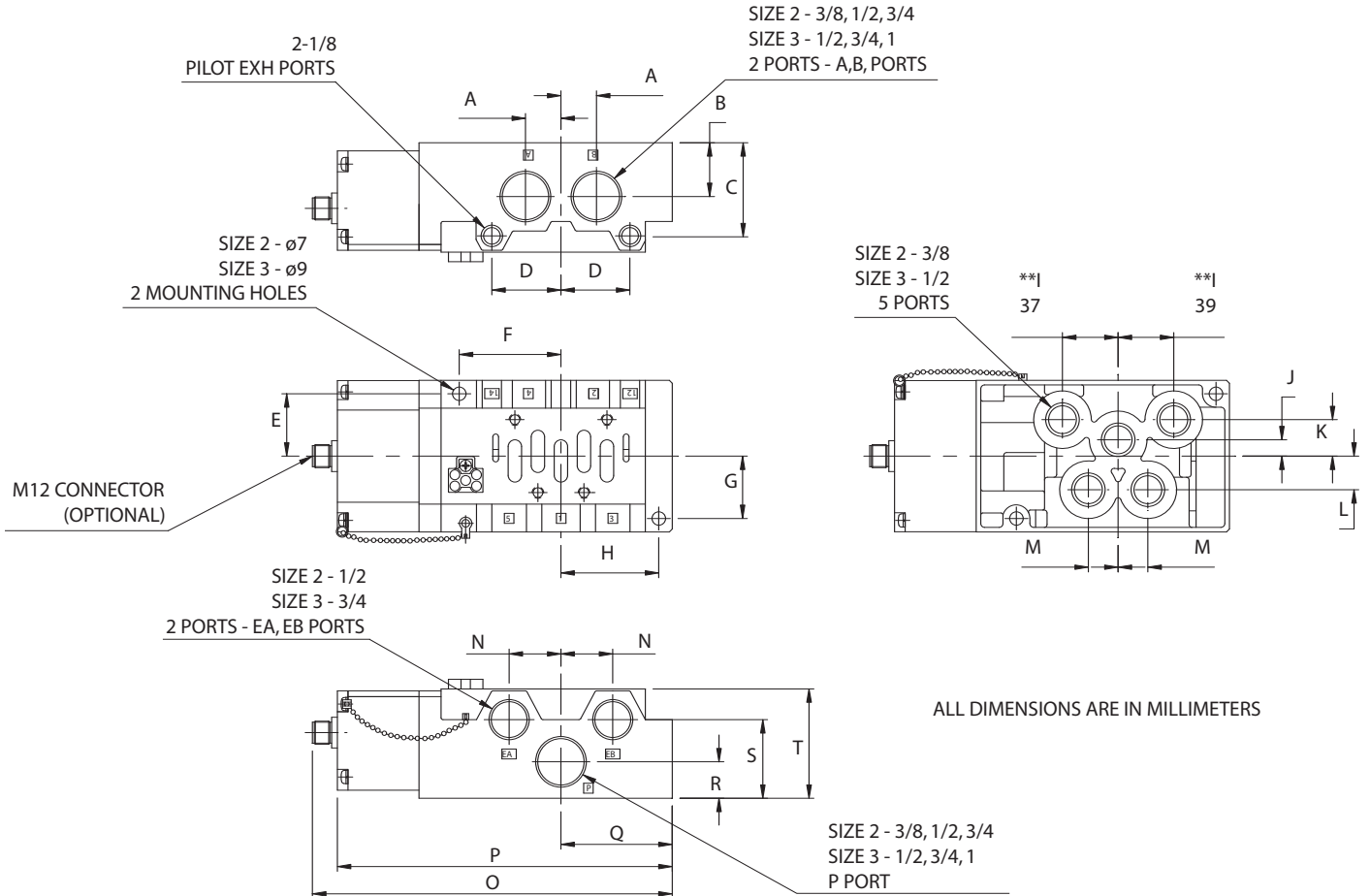
VS8-1-□ 02/03/04 □



ALL DIMENSIONS ARE IN MILLIMETERS

ISO SIZE 2-3 SUB-BASE

VS8- □ 03/04/06/10 □



	A	B	C	D	E	F	G	H	I	J
SIZE 2	*	28	48.5	36	32.5	52	32.5	47.5	29	8.5
SIZE 3	22	27	47	45	40	65	40	71	**	22

* 3/8 - 14.5
1/2 - 16
3/4 - 18.5

	K	L	M	N	O	P	Q	R	S	T
SIZE 2	19	17.5	15.5	27	187.5	174.5	58	19	41	57
SIZE 3	14	26	19	40	234	221	76	27	39	65