



For details about certified products conforming to international standards, visit us at www.smcworld.com.

3 Port Direct Operated Poppet Solenoid Valve Rubber Seal

Series VT325

Compact yet provides a large flow capacity

Dimensions (W x H x D)....55 x 118 x 53
(Grommet)

C: 0.61 dm³/(s·bar)
{Rc 3/8 (Passage 2 → 3)}

A single valve with 6 valve functions

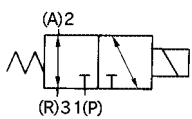
(Universal porting type)
Six valve functions can be attained by selecting the piping ports. (Enabling the N.C. valve, N.O. valve, divider valve, selector valve, etc. to be used as desired.)

Suitable for use in vacuum applications

-101.2 kPa
(For vacuum specifications type: VT/VO325V)



JIS Symbol



How to Order

VT325 □ □ **02** **1** **G** □ □ □ □ □ □

For manifold:
Enter "VO".

Valve option

Nil	Standard
V*	For vacuum

* Option

Port size

02	1/4
03	3/8
00	Without connection port (For manifold)

Rated voltage

1	100 VAC, 50/60 Hz
2	200 VAC, 50/60 Hz
3*	110 VAC, 50/60 Hz
4*	220 VAC, 50/60 Hz
5	24 VDC
6*	12 VDC
7*	240 VAC, 50/60 Hz
9*	Other

* Option

Electrical entry

G	Grommet, Lead wire length 300 mm
C	Conduit
D	DIN terminal
T	Conduit terminal
TL**	Terminal with indicator light
DL**	DIN terminal with indicator light

Manual override

Nil	Non-locking type
M	Locking type (Tool required)

Thread type

Nil	Rc
F	G
N	NPT
T	NPTF

Surge voltage suppressor

Nil	None
S	With surge voltage suppressor

(AC: Can be attached to Grommet, Conduit, Conduit terminal.
DC: Can be attached to Grommet, Conduit, Conduit terminal.)

** For the coil rated voltage (option *), please contact SMC.

Manifold

Model	Applicable manifold	Accessory
VO325-00□□	B mount common exhaust type	Seal (DXT083-13-1) Bolts (DXT083-19-1, 2 pcs.)

Specifications

Type of actuation	Direct operated type 2 position single solenoid
Fluid	Air
Operating pressure range	0 to 1.0 MPa
Ambient and fluid temperature	-10 to 50°C (No freezing. Refer to page 4-18-4.)
Max. operating frequency	5 Hz
Response time ⁽¹⁾	30 ms or less (at the pressure of 0.5 MPa)
Lubrication	Not required (Use turbine oil Class 1 ISO VG32, if lubricated.)
Manual override	Non-locking push type
Shock/Vibration resistance ⁽²⁾	150/50 m/s ²
Enclosure	Dustproof

Note 1) Based on dynamic performance test, JIS B 8374-1981. (Coil temperature: 20°C, at rated voltage, without surge suppressor)

Note 2) Impact resistance: No malfunction occurred when it is tested with a drop tester in the axial direction and at the right angles to the main valve and armature in both energized and de-energized states every once for each condition. (Values at the initial period)

Vibration resistance: No malfunction occurred in a one-sweep test between 45 and 1000 Hz. Test was performed at both energized and de-energized states in the axial direction and at the right angles to the main valve and armature. (Values at the initial period)

Solenoid Specifications

Electrical entry	Grommet, Conduit, DIN terminal, Conduit terminal			
Coil rated voltage	100, 200 VAC, 50/60 Hz, 24 VDC			
Allowable voltage fluctuation	-15 to +10% of rated voltage			
Apparent power ⁽³⁾	AC	Inrush	50 Hz	75 VA
		60 Hz	60 VA	
	Holding	50 Hz	27 VA	
		60 Hz	17 VA	
Power consumption ⁽³⁾	DC	12 W		

Note 3) At rated voltage

V100

SY

SYJ

VK

VZ

VT

VP

VG

VP

S070

VQ

VKF

VQZ

VZ

VS

VFN

Series VT325

Flow Characteristics/Weight

Valve model	Port size	Flow characteristics												Weight
		1 → 2 (P → A)			2 → 3 (A → R)			3 → 2 (R → A)			2 → 1 (A → P)			
		C [dm ³ /(s·bar)]	b	Cv	C [dm ³ /(s·bar)]	b	Cv	C [dm ³ /(s·bar)]	b	Cv	C [dm ³ /(s·bar)]	b	Cv	
VT325	1/4	5.5	0.37	1.4	5.9	0.35	1.5	5.5	0.33	1.4	5.7	0.32	1.4	0.55 kg (For AC)
VT325V (Vacuum spec. type)		5.5	0.37	1.4	6.1	0.37	1.6	5.7	0.34	1.4	6.6	0.25	1.5	
VT325	3/8	5.5	0.37	1.4	5.9	0.35	1.5	5.5	0.33	1.4	5.7	0.32	1.4	0.60 kg (For DC)
VT325V (Vacuum spec. type)		5.5	0.37	1.4	6.1	0.37	1.6	5.7	0.34	1.4	6.6	0.25	1.5	

Note) Values for a single valve unit. It differs in the manifold case. Refer to manifold specifications on page 4-7-37.

Option

1. For vacuum

Pressure range -101.2 kPa to 0.1 MPa

This vacuum model has less air leakage than the standard model under low pressure. It is recommended for vacuum application.

⚠ Caution

1) Since this valve has slight air leakage, it can not be used for holding vacuum (including positive pressure holding) in the pressure container.

2. With surge voltage suppressor, with indicator light

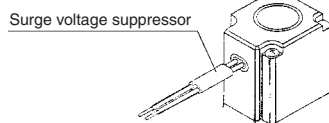
Surge Voltage Suppressor

	AC	DC
Grommet (GS)		
Conduit (CS)		
Conduit terminal (TS)		

Circuit for Indicator Light

	AC	DC
DIN terminal with indicator light (DL)		
Conduit terminal with indicator light (TL)		

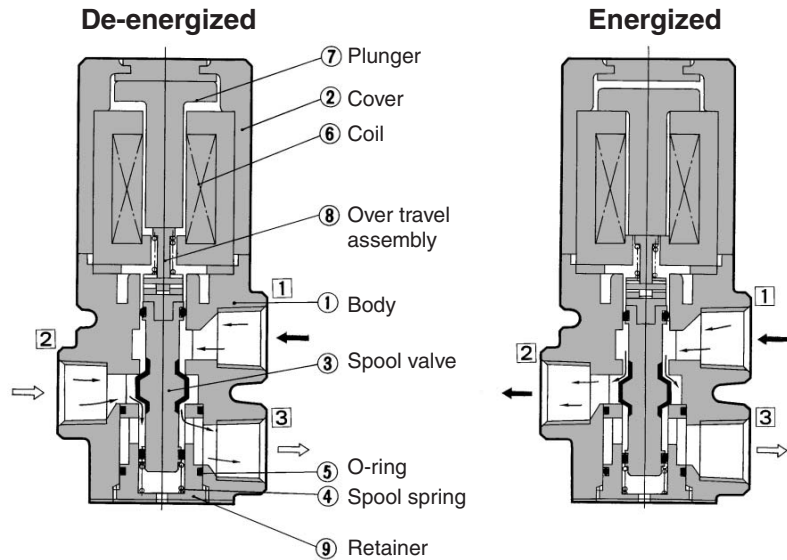
· Grommet type



3. Manual override with lock

- Using a screwdriver, push the manual override button that is located in the head portion of the solenoid valve in order to directly push the spool valve downward, thus causing the valve to switch.
- With the button remaining pushed down, turn it approximately 90° clockwise or counterclockwise to maintain the manual override locked state.
- To revert to the original state, keep the button pushed down and turn it approximately 90° clockwise.

Construction



Operation principle

<De-energized>

The spool (3) is pushed upward by the force of the spring (4) and the air passage between port (2) and port (3) is opened and port (1) is blocked.

Air flow direction: 1 ↔ Block, 2 ↔ 3

<Energized>

When the coil (6) is energized the plunger (7) is pulled down depressing the spool (3) via the overtravel assembly (8) and the air passage between port (1) and port (2) is opened and port (3) is blocked.

Air flow direction: 1 ↔ 2, 3 ↔ Block

Component Parts

No.	Description	Material	Note
①	Body	Aluminum die-casted	Platinum silver
②	Cover	Aluminum die-casted	Platinum silver
③	Spool valve	Aluminum, NBR	

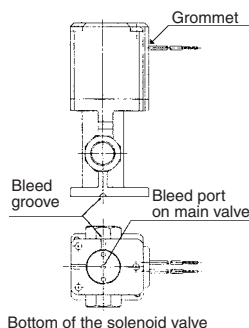
⚠ Precautions

Be sure to read before handling.
For Safety Instructions and Solenoid Valve Precautions, refer to page 4-18-2.

⚠ Caution

1. The bottom of the solenoid valve has a breather hole for the main valve. Take proper measures to prevent this hole from being blocked as this will lead to a malfunction.

* Ordinarily, when the solenoid valve is mounted on a metal surface, it can breathe through the breather hole, via the breather groove. However, in particular, if the surface to be mounted is made of the rubber, the rubber could deform and block the hole.



2. Make sure that dust and/or other foreign materials do not enter the valve from the unused port (e.g. exhaust port).

The grommet portion contains a breather hole for the core. Take proper measures to prevent dust or foreign matter from accumulating in this area.

Electrical Connection

For wiring to DIN terminal, connect the positive (+) polar side with connector terminal no. 1 and the negative (-) side with connector terminal no. 2 when the rated voltage is DC type.

How to Calculate the Flow Rate

For obtaining the flow rate, refer to page 4-1-6.

How to Wire DIN Terminal

1. Disassembly

- 1) After loosening the thread (1), then if the cover (4) is pulled in the direction of the thread, the connector will be removed from the body of equipment (solenoid, etc.).
- 2) Pull the screw (1), and then remove gasket (2a) or (2b).
- 3) On the bottom part of the terminal block (3), there's a cut-off part (indication of an arrow) (3a). If a small flat head screwdriver is inserted between the opening in the bottom, terminal block (3) will be removed from the cover (4). (Refer to the figure below.)
- 4) Remove the cable gland (5) and plain washer (6) and rubber seal (7).

2. Wiring

- 1) Pass them through the cable (8) in the order of cable ground (5), washer (6), rubber seal (7), and then insert into the housing (4).
- 2) Dimensions of the cable (8) are the figure as below. Skin the cable and crimp the crimped terminal (9) to the edges.
- 3) Remove the screw with washer (3e) from the bracket (3e). (Loosen in the case of Y shape type terminal.) As shown in the below figure, mount a crimped terminal (9), and then again tighten the screw (3e).

Note) Tighten within the tightening torque of 0.5 N·m ±15%.

Note: a It is possible to wire even in the state of bare wire. In that case, loosen the screw with washer (3e) and place a lead wire into the bracket (3d), and then tighten it once again.

b The maximum size for the round terminal (9) is 1.25 mm²—3.5 and for the Y terminal is 1.25 mm²—4.

c Cable (8) external: ø6 to ø12

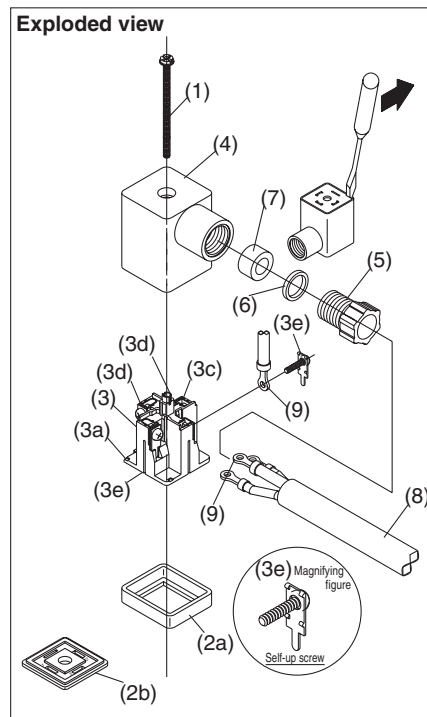
Note) For the one with the external dimension ranged between 9 to 12 mmø, remove the inside parts of the rubber seal (7) before using.

3. Assembly

- 1) Terminal box (3) connected with housing (4) should be reinstated. (Push it down until you hear the click sound.)
- 2) Putting rubber seal (7), plain washer (6), in this order into the cable introducing slit on the housing (4), then further tighten the cable gland (5) securely.
- 3) By inserting gasket (2a) or (2b) between the bottom part of the terminal box (3) and a plug on an equipment, screw in (1) on top of the housing (4) and tighten it.

Note) Tighten within the tightening torque of 0.5 N·m ±15%.

Note: The orientation of a connector can be changed arbitrarily, depending on the combination of a housing (4) and a terminal box (3).



Connector for DIN Terminal

Description	Part no.
DIN connector	GDM2C

V100

SY

SYJ

VK

VZ

VT

VP

VG

VP

S070

VQ

VKF

VQZ

VZ

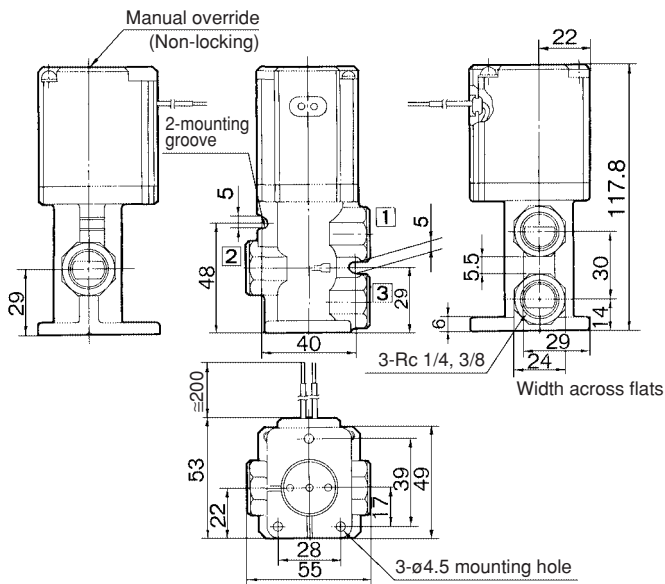
VS

VFN

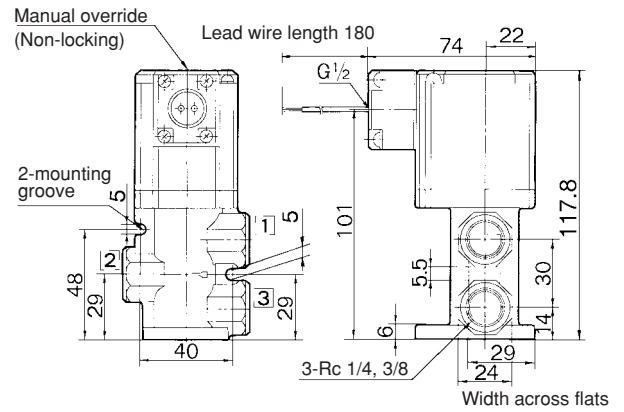
Series VT325

Dimensions

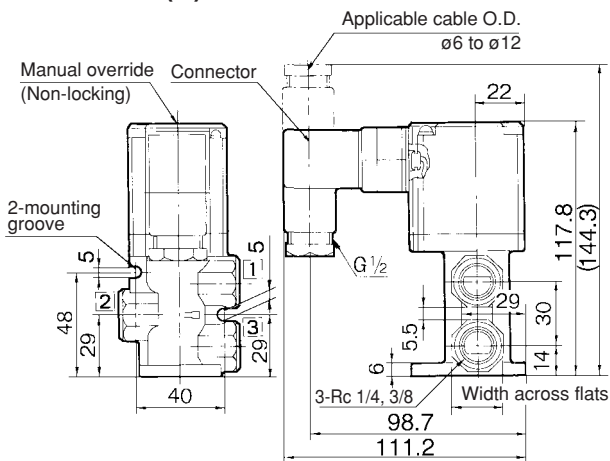
Grommet (G)



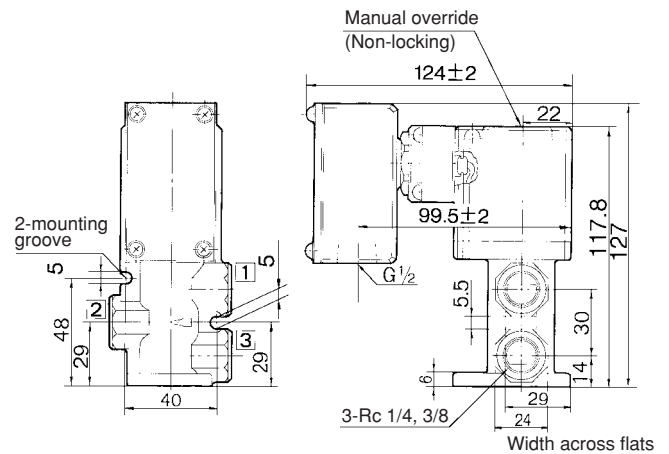
Conduit (C)



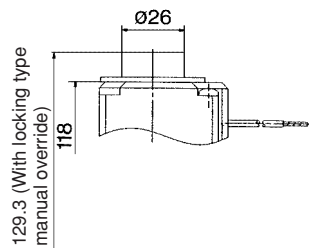
DIN terminal (D)



Conduit terminal (T)



With locking manual override



Conduit terminal with indicator light (TL)

