

Pilot Operated 2 Port Solenoid Valve For Dry Air Series VQ20/30

How to Order Manifold

VV2Q 2 2 08 — [] — []

Series

2	VQ20
3	VQ30

Stations

01	1 station
⋮	⋮
20	20 stations

P port/Thread type

Nil	Rc 3/8
00N	NPT 3/8
00T	NPTF 3/8
00F	G 3/8

Option

Nil	None
D	DIN rail mounting
DO	DIN rail mounting (Without DIN rail)

How to Order Manifold Assembly

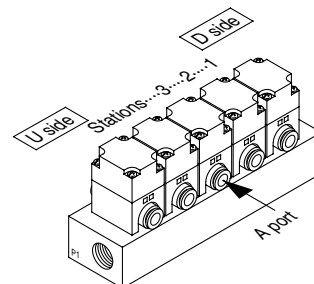
Enter the mounting valve and option part numbers under the manifold base part number.

<Ordering Example>

VV2Q22-05..... 1 set Manifold part No.
 * VQ21M1-5G-C6 4 sets Valve part No.
 (Stations 1 to 4)
 * VQ21M1-5G-C8 1 set Valve part No.
 (Station 5)

"*" is the symbol for assembly. Add a "*" in front of the part numbers for solenoid valves, etc., to be mounted.

Enter together in order, counting from station 1 on the D side.



- VC
- VDW
- VQ**
- VX2
- VX3
- VXA
- VN
- LVC
- LVA
- LVH
- LVD
- LVQ
- LQ
- LVN
- TI/TIL
- PA
- PAX
- PB

How to Order Valves (For Manifold)

VQ 2 1 M 1 1 G — [] — [] — **C6**

Series/Orifice size

Symbol	Series
2	VQ20
3	VQ30

Valve Type

1	N.C.
---	------

Coil voltage

1	100 VAC (50/60 Hz)
2	200 VAC
3	110 VAC
5	24 VDC
6	12 VDC
9 ⁽¹⁾	Other

Note 1) Please consult with SMC for other voltages.
 Note 2) There is polarity for DC voltage (with power-saving circuit type).

Port size

Symbol	Port size	VQ20	VQ30
C6	One-touch fitting for ø6	○	—
C8	One-touch fitting for ø8	○	—
C10	One-touch fitting for ø10	—	○
C12	One-touch fitting for ø12	—	○

Manual override

Nil	None
B ^{Note)}	Slotted locking type (tool required)

Note) Only normally closed DIN terminal in-line style is applicable.

Valve specifications

M	Manifold
---	----------

Electrical entry

G	Grommet
Y	DIN terminal
YO	DIN terminal (without connector)

Electricity circuit

Symbol	DC voltage	AC voltage
Nil	With power-saving circuit (with surge voltage suppressor protection circuit)	With full wave rectifier circuit (with surge voltage suppressor protection circuit)
Z	With power-saving circuit (with light/surge voltage suppressor protection circuit)	With full wave rectifier circuit (with light/surge voltage suppressor protection circuit)
H ^{Note)}	High speed response type (without energy-saving, light/surge voltage suppressor circuit)	

Note) H is available only for DC voltage and cannot be energized continuously.

Made to Order Specifications

Please contact SMC for further specifications, delivery and price.



Oil-free specifications

Seal material fluorine rubber specifications

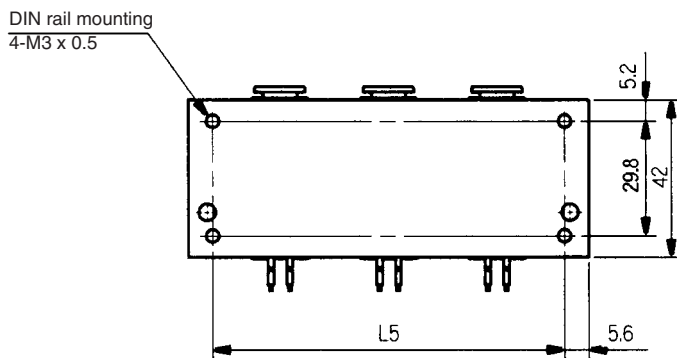
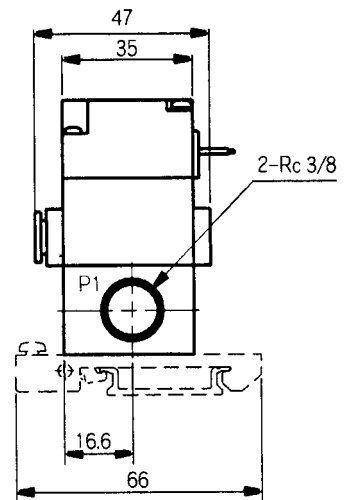
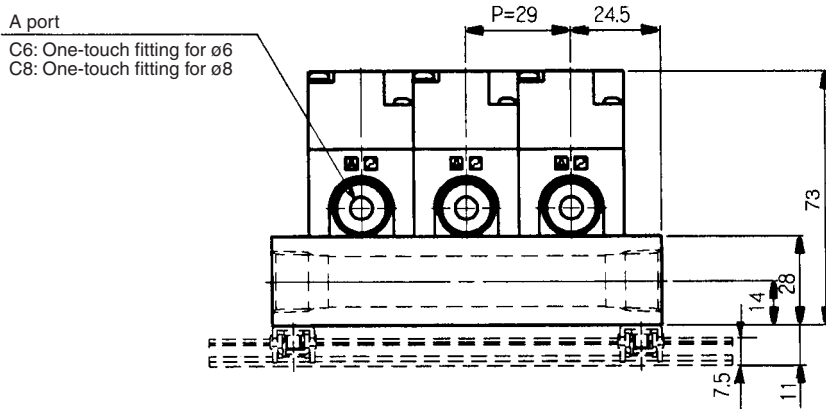
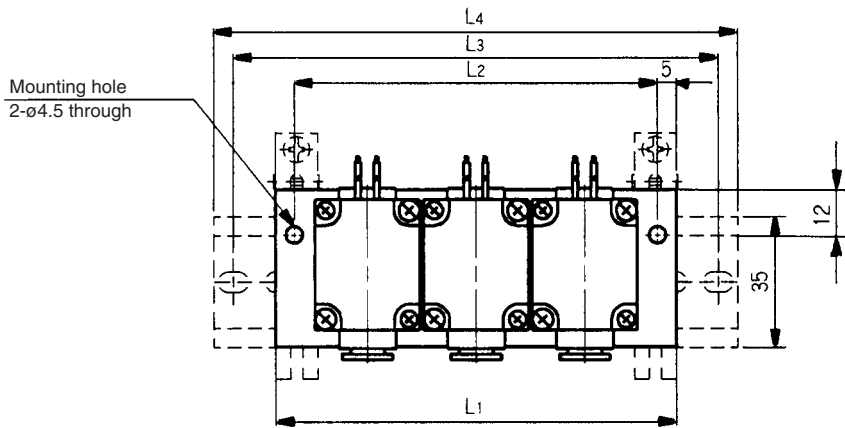
VQ $\frac{2}{3}$ 1M1- [] [] [] - [] - [] -X2 VQ $\frac{2}{3}$ 1M1- [] [] [] - [] - [] -X5


Note) Please consult with SMC when using. Not available for manual operation.

Series VQ20/30

Dimensions

Plug lead unit manifold (VV2Q22-□)



 Dotted line: DIN rail mounting (-D)

Formulas $L_1 = (n - 1) \times 29 + 49$
 $L_2 = L_1 - 10$
 $L_3 = L_4 - 10.5$
 $L_5 = L_1 - 11.2$

Dimensions

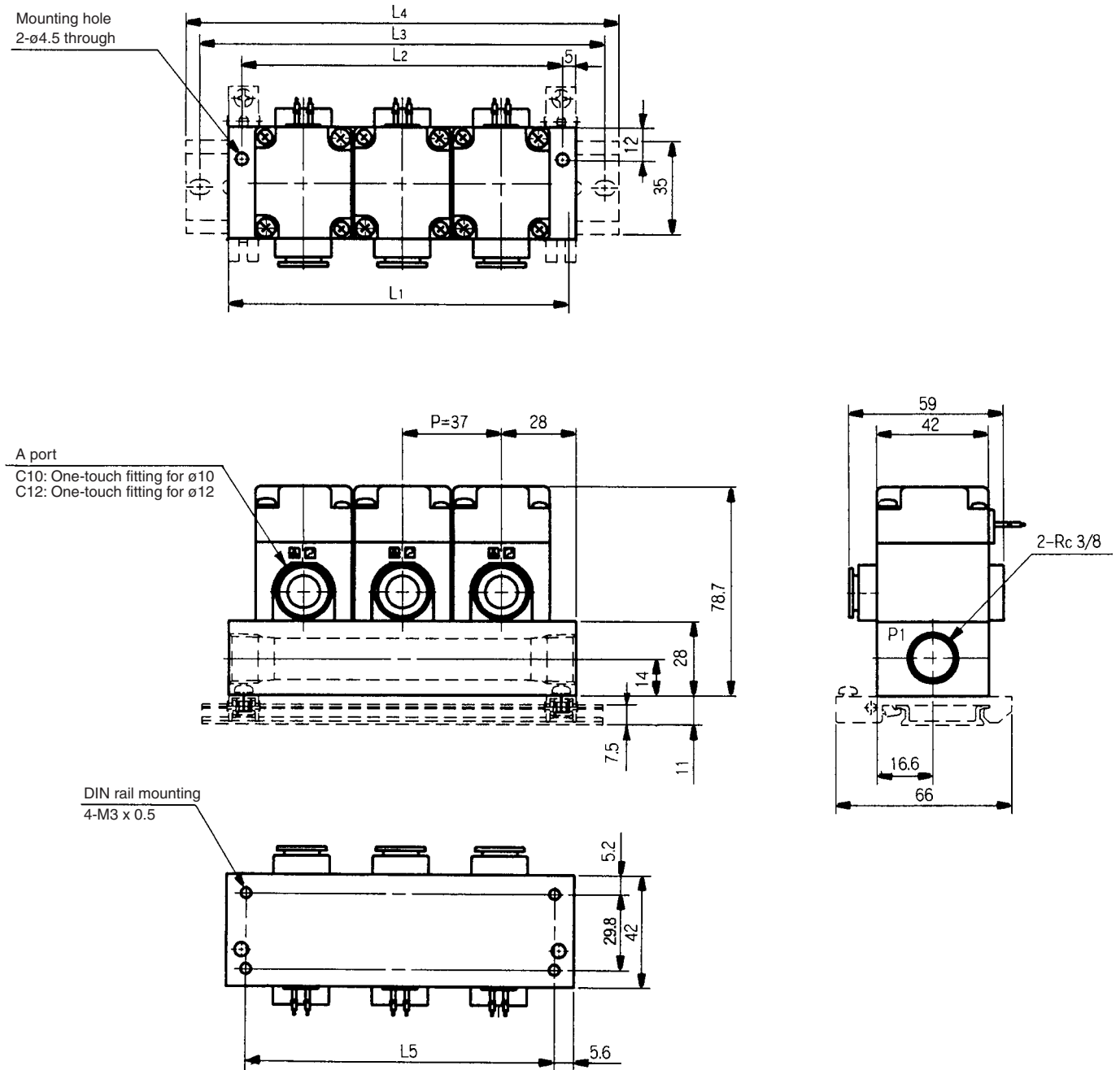
n: Station (Max. 20)

L \ n	1	2	3	4	5	6	7	8	9	10	11	12	13	14	15	16	17	18	19	20
L ₁	49	78	107	136	165	194	223	252	281	310	339	368	397	426	455	484	513	542	571	600
L ₂	39	68	97	126	155	184	213	242	271	300	329	358	387	416	445	474	503	532	561	590
L ₃	75	100	137.5	162.5	187.5	212.5	250	275	300	337.5	362.5	387.5	425	450	475	500	537.5	562.5	587.5	625
L ₄	85.5	110.5	148	173	198	223	260.5	285.5	310.5	348	373	398	435.5	460.5	485.5	510.5	548	573	598	635.5
L ₅	37.8	66.8	95.8	124.8	153.8	182.8	211.8	240.8	269.8	298.8	327.8	356.8	385.8	414.8	443.8	472.8	501.8	530.8	559.8	588.8

Pilot Operated 2 Port Solenoid Valve For Dry Air Series VQ20/30

Dimensions

Plug lead unit manifold (VV2Q32-□)



- VC□
- VDW
- VQ**
- VX2
- VX□
- VX3
- VXA
- VN□
- LVC
- LVA
- LVH
- LVD
- LVQ
- LQ
- LVN
- TI/
TIL
- PA
- PAX
- PB

Dotted line: DIN rail mounting (-D)

Formulas $L_1 = (n - 1) \times 37 + 56$
 $L_2 = L_1 - 10$
 $L_3 = L_4 - 10.5$
 $L_5 = L_1 - 11.2$

Dimensions

n: Station (Max. 20)

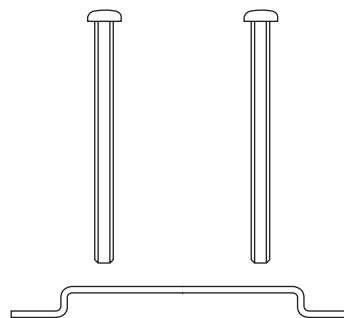
L	n	1	2	3	4	5	6	7	8	9	10	11	12	13	14	15	16	17	18	19	20
L1	56	93	130	167	204	241	278	315	352	389	426	463	500	537	574	611	648	685	722	759	
L2	46	83	120	157	194	231	268	305	342	379	416	453	490	527	564	601	638	675	712	749	
L3	75	112.5	150	187.5	225	261.5	300	337.5	375	412.5	450	487.5	525	562.5	597.5	625	662.5	700	737.5	775	
L4	85.5	123	160.5	198	235.5	273	310.5	348	385.5	423	460.5	498	535.5	573	598	635.5	673	710.5	748	785.5	
L5	44.8	81.8	118.8	155.8	192.8	229.8	266.8	303.8	340.8	377.8	414.8	451.8	488.8	525.8	562.8	599.8	636.8	673.8	710.8	747.8	

Series VQ20/30

Single Unit Option

Bracket assembly (with 2 mounting screws)

For fixing this solenoid valve.



Type	Bracket assembly	(Mounting screws, 2 pcs.)
VQ20 Grommet in-line type	AXT835-13A	M3 x 45
VQ20 Grommet L type, DIN terminal type	AXT835-13A-2	M3 x 40
DIN terminal L type	AXT835-13A-3	M3 x 35
VQ30	AXT837-13A	M4 x 45

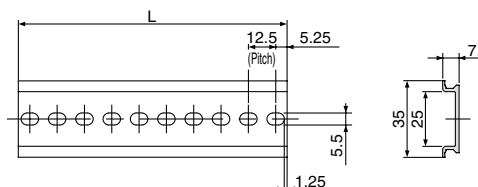
Manifold Option

DIN rail

AXT100-DR-□

* Suffix the number from DIN rail dimensions table below. Refer to the dimension drawing for each manifold for L dimension.

Each manifold can be mounted on a DIN rail. Order with the option symbol “-D” to specify DIN rail mounting style. The DIN rail is approximately 30 mm longer than the length of manifold.



L dimension

• Series VQ20

Stations	1	2	3	4	5	6	7	8	9	10	11	12	13	14	15	16	17	18	19	20
No.	6	8	11	13	15	17	20	22	24	27	29	31	34	36	38	40	43	45	47	50
L	85.5	110.5	148	173	198	223	260.5	285.5	310.5	348	373	398	435.5	460.5	485.5	510.5	548	573	598	635.5

• Series VQ30

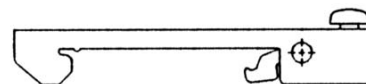
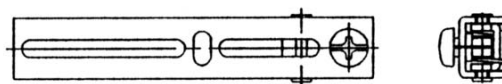
Stations	1	2	3	4	5	6	7	8	9	10	11	12	13	14	15	16	17	18	19	20
No.	6	9	12	15	18	21	24	27	30	33	36	39	42	45	47	50	53	56	59	62
L	85.5	123	160.5	198	235.5	273	310.5	348	385.5	423	460.5	498	535.5	573	598	635.5	673	710.5	748	785.5

DIN rail mounting bracket

VVQZ100-DB-5

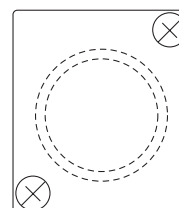
This bracket is used for mounting the manifold on the DIN rail. DIN rail mounting bracket is attached on the manifold.

1 set of DIN rail mounting brackets for 1 manifold includes 2 brackets.



Blanking plate assembly (with O-ring and 2 mounting screws)

Mount a blanking plate on valve manifold when a valve is disassembled for maintenance purposes, or when spare valve unit is supposed to be mounted in the future.



Series	Blanking plate assembly	(O-ring)	(Mounting screws, 2 pcs.)
VQ20	AXT835-35A	OR-1679-100-H	M3 x 6
VQ30	AXT837-35A	OR-2400-150-H	M4 x 6