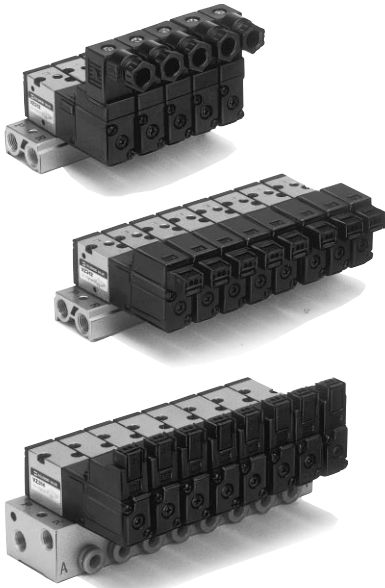


Series VZ300 Manifold



Manifold Specifications

Model	Internal pilot	20-□1	40-□2	40-□1
	External pilot	21R-□1	40R-□2	40R-□1
Manifold	Single base/B mount			
P(SUP)/R(EXH) style	Common SUP/Common EXH			
Stations	2 to 20			
A port piping	Position	Valve	Base	
	Direction	Top	Bottom	Side
Port size	P, R port	Rc(PT) 1/8	Rc(PT) 1/8	Rc(PT) 1/8
	A port	M5 X 0.8	M5 X 0.8 Rc(PT) 1/8	M5 X 0.8, Rc(PT) 1/8, C4(ø4One touch fitting), C6(ø6One touch fitting)
	X port ⁽¹⁾	M5 X 0.8	M5 X 0.8	M5 X 0.8
Valve effective area (mm ²)(Cv)	⁽²⁾ Body ported VZ3□2/VZ3□2R	3.4 (0.19)	-	
	Base mounted VZ3□4/VZ3□4R	-	M5: 3.8(0.21) 1/8: 4.7(0.26)	M5: 3.3(0.18) 1/8: 4.8(0.27) C4, C6: 3.8(0.21)
Page on How to Order	Internal pilot	p.2.4-17	p.2.4-18, 24-19	p.2.4-20 to 2.4-22
	External pilot	p.2.4-23	p.2.4-24, 24-25	p.2.4-26 to 2.4-28



Note 1) Only for external pilot

Note 2) Value at manifold base mounted

How to Order Manifold Base

To order valves and blank plate assembly mounted onto the manifold, list valves and blank plate assembly with manifold base.

(Sample)

VV3Z3-20-0311 pc. (Manifold base)

VZ312-5LZ-M52 pcs. (Valve)

DXT170-25-1A1 pc. (Blank plate ass'y)

VV3Z3-40R-031-C6...1 pc. (Manifold base)

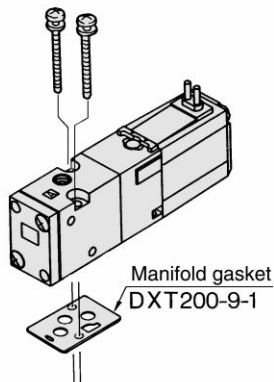
VZ314R-5G2 pcs. (Valve)

DXT200-8-1A1 pc. (Blank plate ass'y)

Option

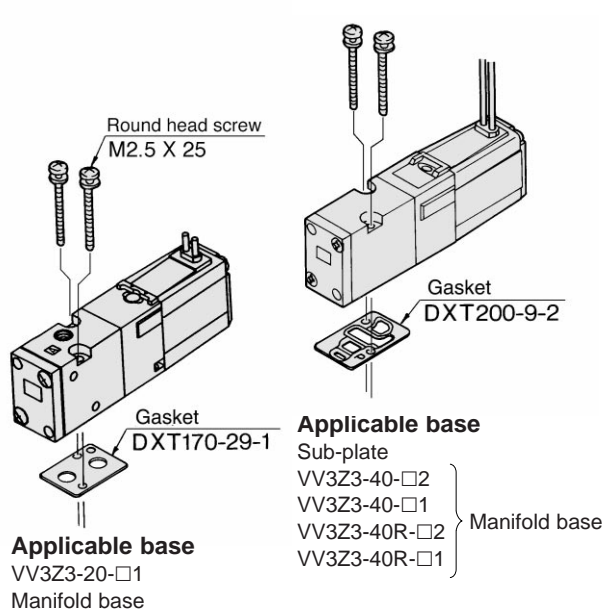
Combinations of solenoid valve, manifold gasket and manifold base

Body ported (VZ3□2)



Applicable base
VV3Z3-21R-□1
Manifold base

Base mounted (VZ3□4)

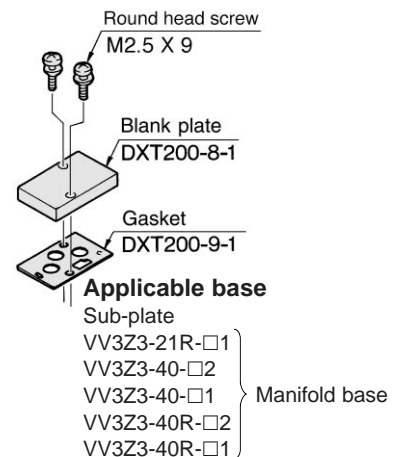


Applicable base
VV3Z3-20-□1
Manifold base

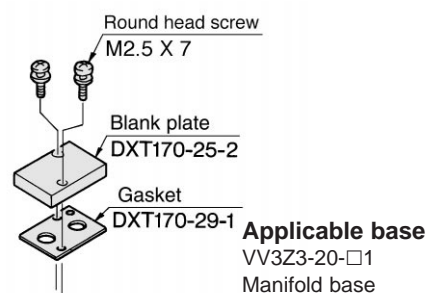
Applicable base
Sub-plate
VV3Z3-40-□2
VV3Z3-40-□1
VV3Z3-40R-□2
VV3Z3-40R-□1 } Manifold base

Blank Plate Assembly

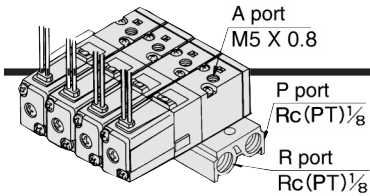
DXT200-8-1A



Model No.: DXT170-25-1A



For Internal Pilot 20 Type Manifold: Top Ported



Grommet (G), (H)

How to Order

VV3Z3 - 20 - 05 1

Stations

02	2 stations
⋮	⋮
20	20 stations



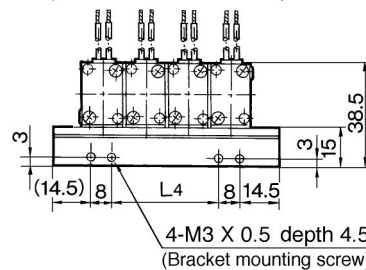
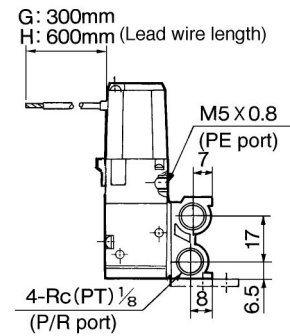
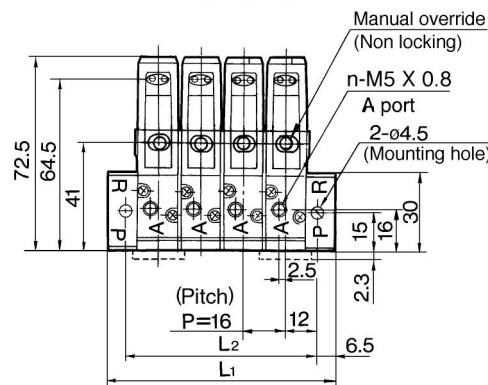
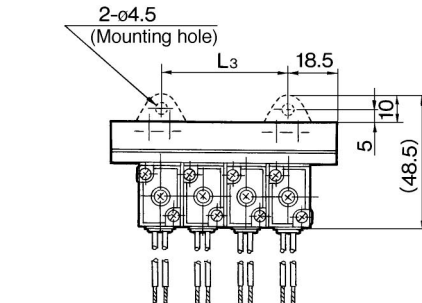
Note) If > 6 stations, supply air to P port on both sides of the manifold and exhaust from R port on both sides of the manifold.

Applicable solenoid valve

- VZ312-□□□□-M5
- VZ312M-□□□□-M5
- VZ322-□□□□-M5
- VZ322M-□□□□-M5

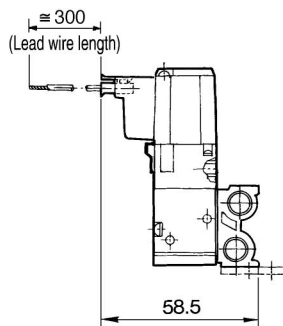
Applicable blank plate assembly

DXT170-25-1A

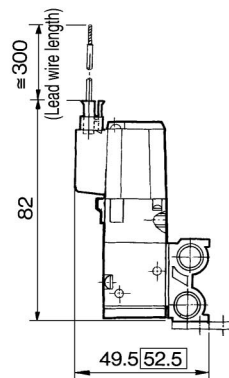


Station	2	3	4	5	6	7	8	9	10	11	12	13	14	15	16	17	18	19	20
L1	53	69	85	101	117	133	149	165	181	197	213	229	245	261	277	293	309	325	341
L2	40	56	72	88	104	120	136	152	168	184	200	216	232	248	264	280	296	312	328
L3	16	32	48	64	80	96	112	128	144	160	176	192	208	224	240	256	272	288	304
L4	8	24	40	56	72	88	104	120	136	152	168	184	200	216	232	248	264	280	296

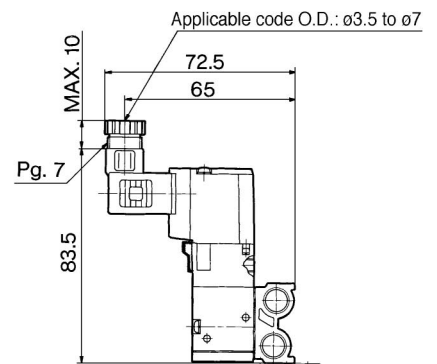
L plug connector (L)



M plug connector (M)



DIN terminal (D)



□: with indicator light and surge voltage suppressor

SY

SYJ

VK

VZ

VT

VT

VP

VG

VP

VQ

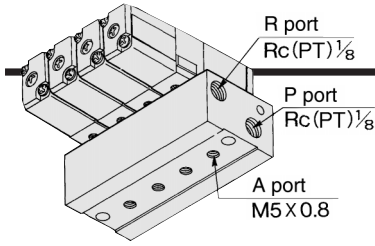
VQZ

VZ

VS

VZ300

For Internal Pilot 40 Type Manifold: Bottom Ported



How to Order

VV3Z3 - 40 - 05 2 - M5

Stations

02	2 stations
⋮	⋮
20	20 stations

A port size

M5	M5 X 0.8
----	----------



Note) If > 9 stations, supply air to P port on both sides of the manifold and exhaust from R port on both sides of the manifold.

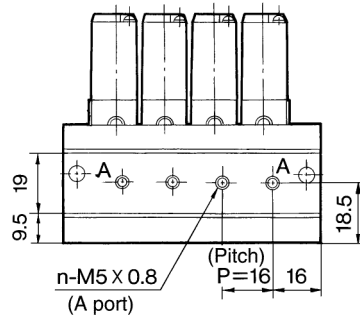
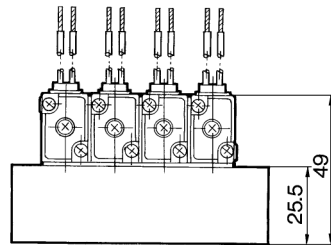
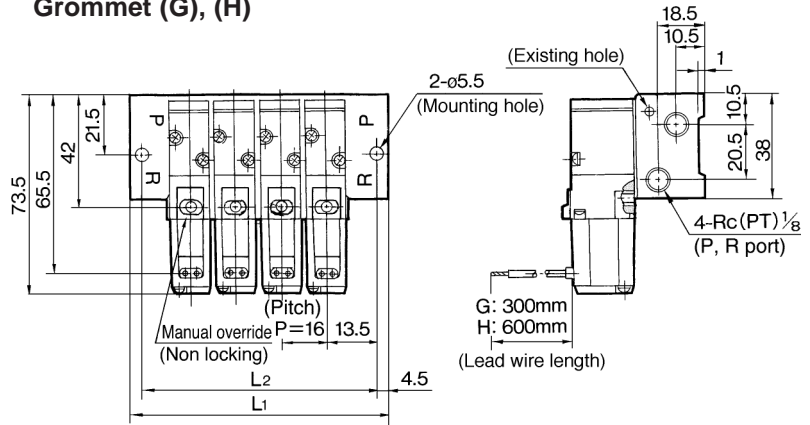
Applicable solenoid valve

- VZ314-□□□□
- VZ314M-□□□□
- VZ324-□□□□
- VZ324M-□□□□

Applicable blank plate assembly

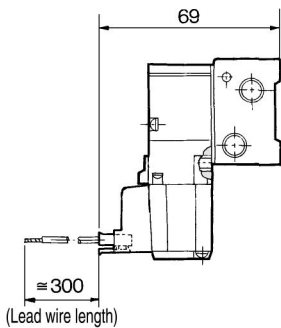
DXT200-8-1A

Grommet (G), (H)

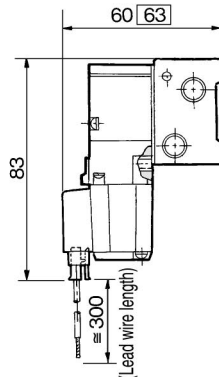


Station	2	3	4	5	6	7	8	9	10	11	12	13	14	15	16	17	18	19	20
L1	52	68	84	100	116	132	148	164	180	196	212	228	244	260	276	292	308	324	340
L2	43	59	75	91	107	123	139	155	171	187	203	219	235	251	267	283	299	315	331

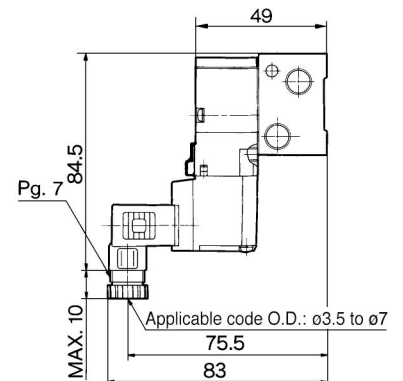
L plug connector (L)



M plug connector (M)

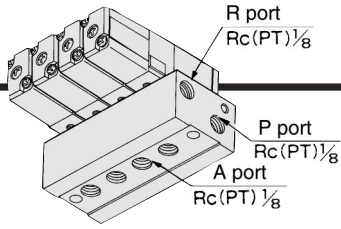


DIN terminal (D)



□: with indicator light and surge voltage suppressor

For Internal Pilot 40 Type Manifold: Bottom Ported



How to Order

VV3Z3 - 40 - 05 2 - 01

Stations	
02	2 stations
...	...
20	20 stations

A port size	
01	Rc(PT) 1/8



Note) If > 9 stations, supply air to P port on both sides of the manifold and exhaust from R port on both sides of the manifold.

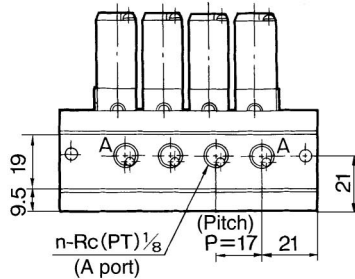
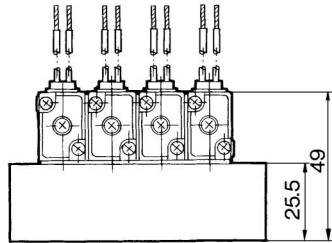
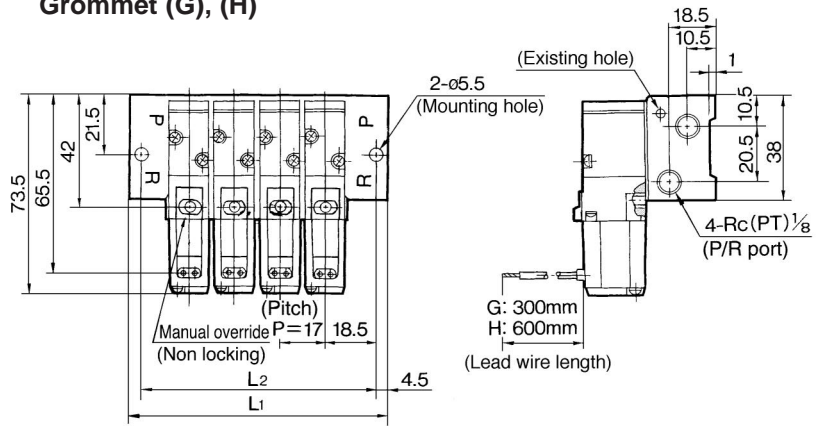
Applicable solenoid valve

- VZ314-□□□□
- VZ314M-□□□□
- VZ324-□□□□
- VZ324M-□□□□

Applicable blank plate assembly

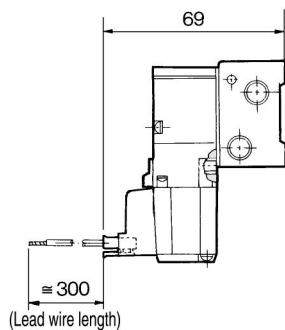
DXT200-8-1A

Grommet (G), (H)

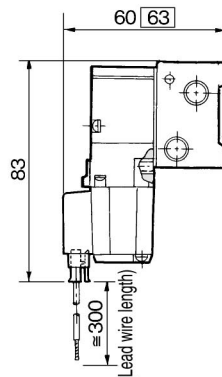


Station	2	3	4	5	6	7	8	9	10	11	12	13	14	15	16	17	18	19	20
L1	63	80	97	114	131	148	165	182	199	216	233	250	267	284	301	318	335	352	369
L2	54	71	88	105	122	139	156	173	190	207	224	241	258	275	292	309	326	343	360

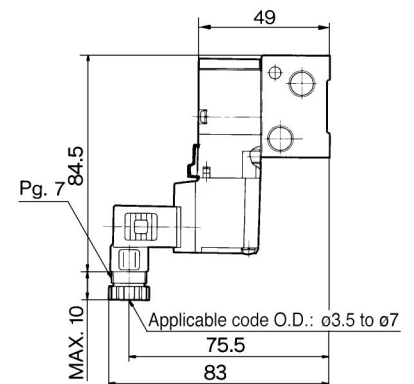
L plug connector (L)



M plug connector (M)



DIN terminal (D)



□: with indicator light and surge voltage suppressor

SY

SYJ

VK

VZ

VT

VT

VP

VG

VP

VQ

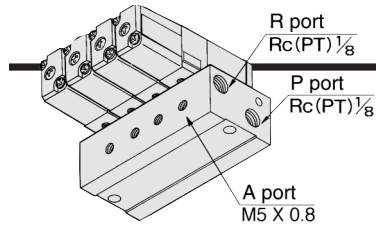
VQZ

VZ

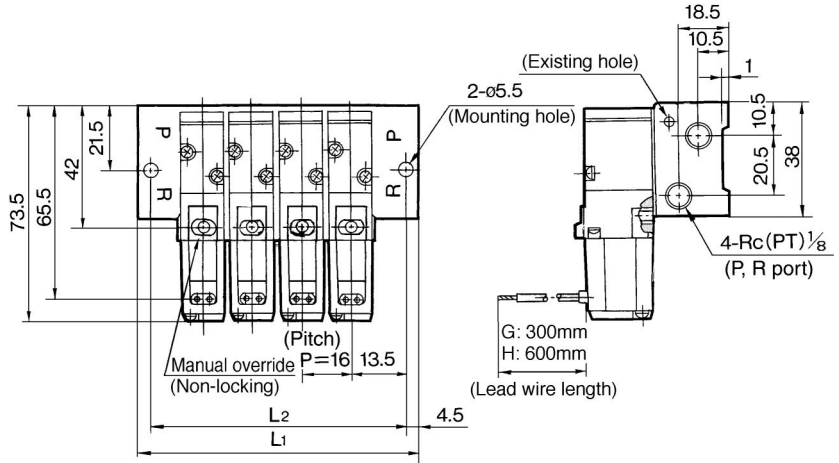
VS

VZ300

For Internal Pilot 40 Type Manifold: Side Ported



Grommet (G), (H)



How to Order

VV3Z3 - 40 - 05 1 - M5

Stations	
02	2 stations
⋮	⋮
20	20 stations

A port size	
M5	M5 X 0.8

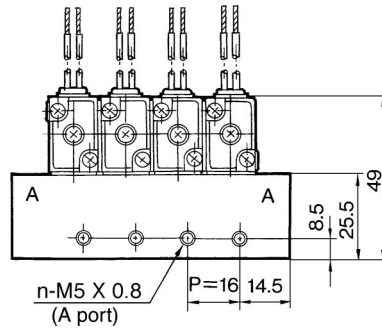
Note) If > 9 stations, supply air to P port on both sides of the manifold and exhaust from R port on both sides of the manifold.

Applicable solenoid valve

VZ314-□□□□
VZ314M-□□□□
VZ324-□□□□
VZ324M-□□□□

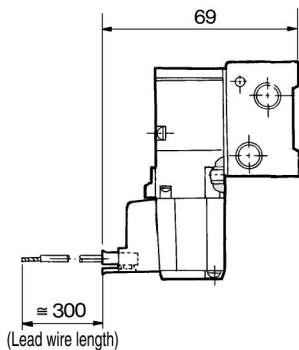
Applicable blank plate assembly

DXT200-8-1A

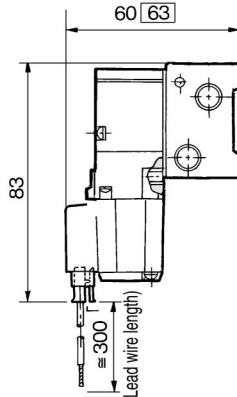


Station	2	3	4	5	6	7	8	9	10	11	12	13	14	15	16	17	18	19	20
L1	52	68	84	100	116	132	148	164	180	196	212	228	244	260	276	292	308	324	340
L2	43	59	75	91	107	123	139	155	171	187	203	219	235	251	267	283	299	315	331

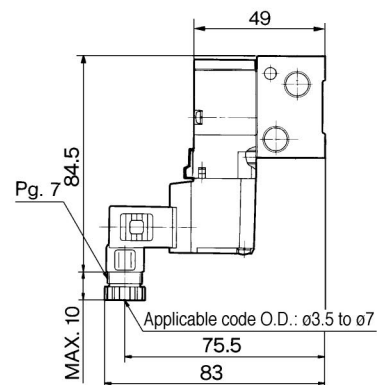
L plug connector (L)



M plug connector (M)

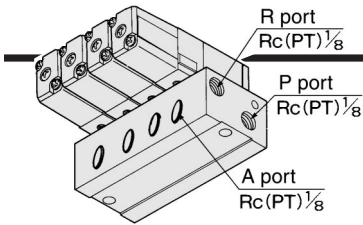


DIN terminal (D)



□: with indicator light and surge voltage suppressor

For Internal Pilot 40 Type Manifold: Side Ported



Grommet (G) (H)

How to Order

VV3Z3 - 40 - **05** 1 - 01

Stations

02	2 stations
⋮	⋮
20	20 stations

A port size

01	Rc(PT) 1/8
----	------------



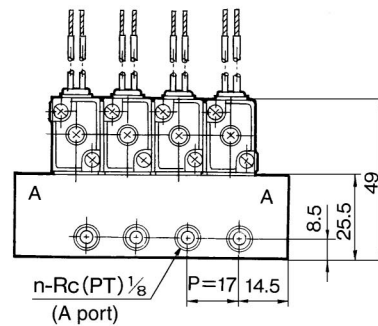
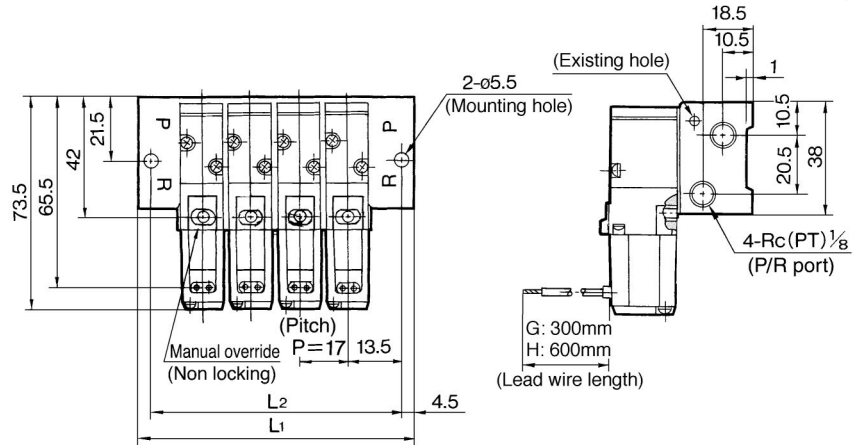
Note) If > 9 stations, supply air to P port on both sides of the manifold and exhaust from R port on both sides of the manifold.

Applicable solenoid valve

- VZ314-□□□□
- VZ314M-□□□□
- VZ324-□□□□
- VZ324M-□□□□

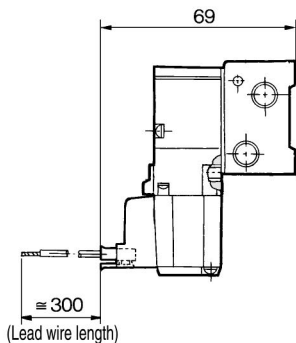
Applicable blank plate assembly

DXT200-8-1A

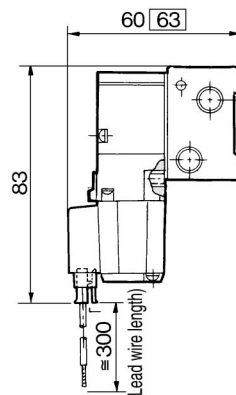


Station	2	3	4	5	6	7	8	9	10	11	12	13	14	15	16	17	18	19	20
L1	53	70	87	104	121	138	155	172	189	206	223	240	257	274	291	308	325	342	359
L2	44	61	78	95	112	129	146	163	180	197	214	231	248	265	282	299	316	333	350

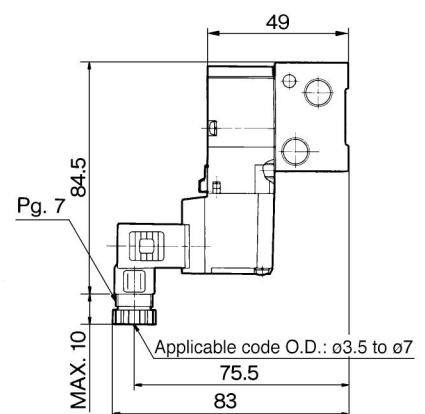
L plug connector (L)



M plug connector (M)



DIN terminal (D)



□: with indicator light and surge voltage suppressor

SY

SYJ

VK

VZ

VT

VT

VP

VG

VP

VQ

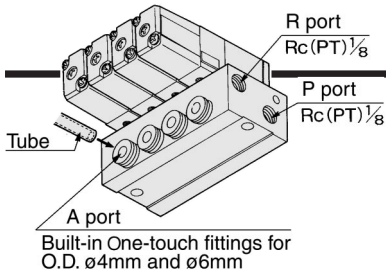
VQZ

VZ

VS

VZ300

For Internal Pilot 40 Type Manifold: Side Ported



How to Order

VV3Z3 - 40 - 05 1 - C6

Stations	
02	2 stations
...	...
20	20 stations

A port size	
C4	$\phi 4$ One-touch fitting
C6	$\phi 6$ One-touch fitting

Note) If > 9 stations, supply air to P port on both sides of the manifold and exhaust from R port on both sides of the manifold.

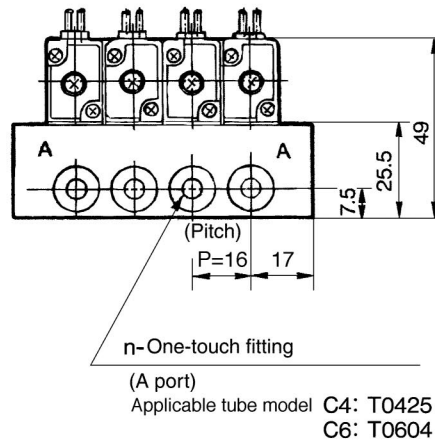
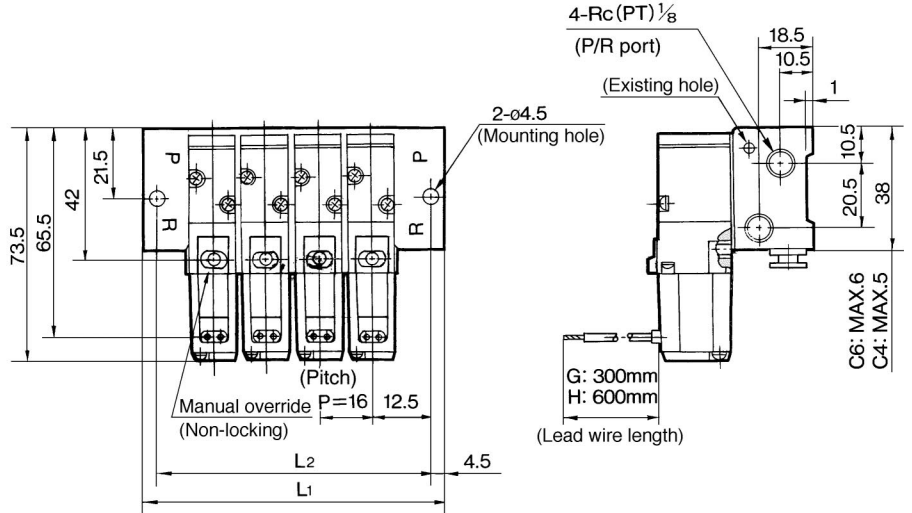
Applicable solenoid valve

VZ314-□□□□
VZ314M-□□□□
VZ324-□□□□
VZ324M-□□□□

Applicable blank plate assembly

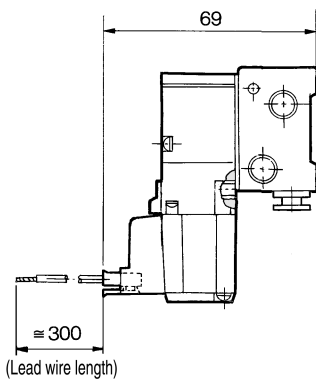
DXT200-8-1A

Grommet (G), (H)

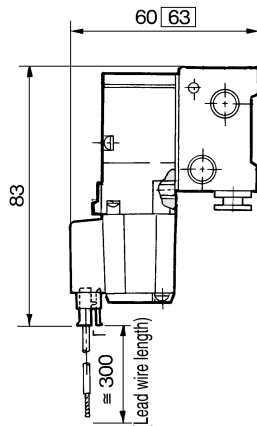


Station	2	3	4	5	6	7	8	9	10	11	12	13	14	15	16	17	18	19	20
L1	50	66	82	98	114	130	146	162	178	194	210	226	242	258	274	290	306	322	338
L2	41	57	73	89	105	121	137	153	169	185	201	217	233	249	265	281	297	313	329

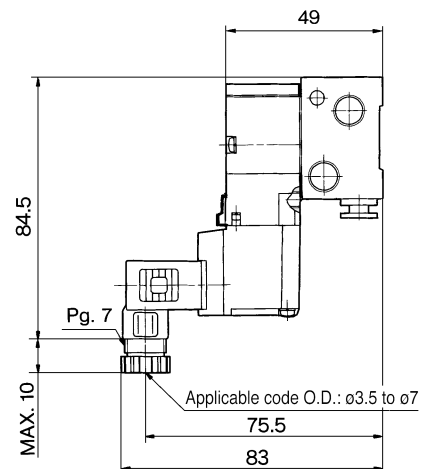
L plug connector (L)



M plug connector (M)

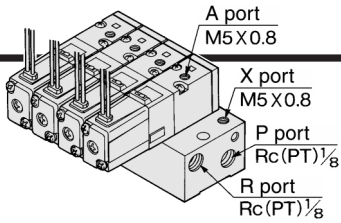


DIN terminal (D)

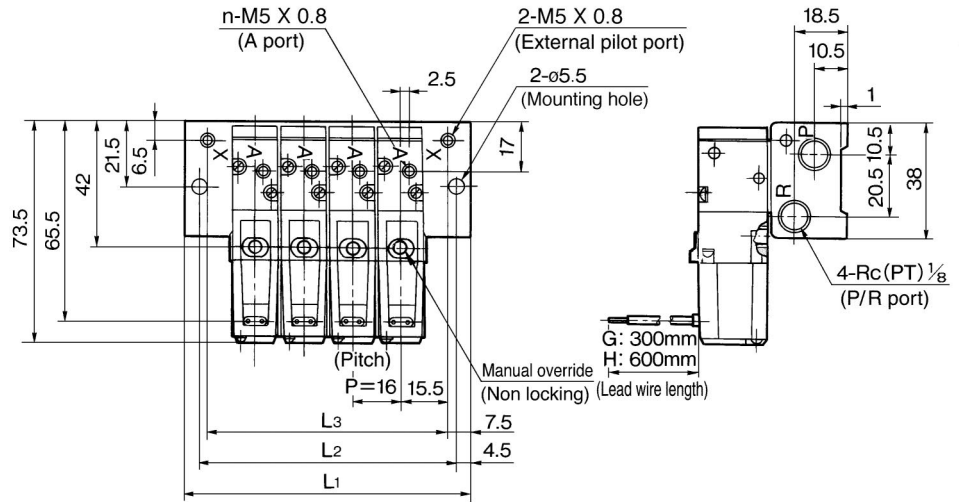


□: with indicator light and surge voltage suppressor

For External Pilot 21R Type Manifold: Top Ported



Grommet (G), (H)



How to Order

VV3Z3 - 21R - 05 1

Stations

02	2 stations
...	...
20	20 stations

Note) If > 9 stations, supply and exhaust air through P port or R port on both sides of the manifold.

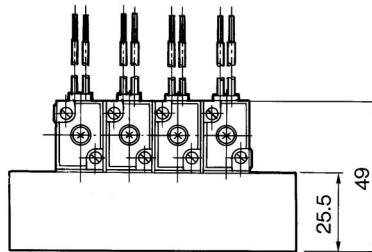
Applicable solenoid valve

VZ312R-□□□□-M5

VZ322R-□□□□-M5

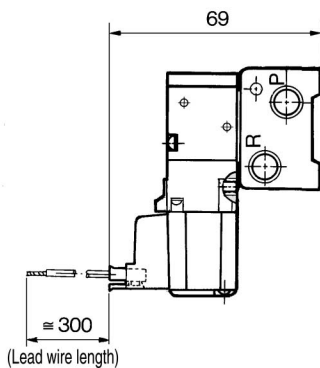
Applicable blank plate assembly

DXT200-8-1A

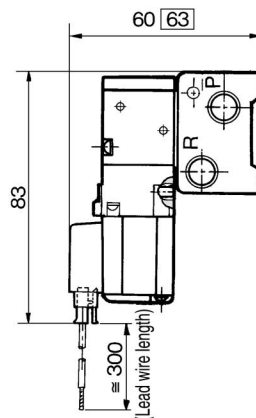


Station	2	3	4	5	6	7	8	9	10	11	12	13	14	15	16	17	18	19	20
L1	62	78	94	110	126	142	158	174	190	206	222	238	254	270	286	302	318	334	350
L2	53	69	85	101	117	133	149	165	181	197	213	229	245	261	277	293	309	325	341
L3	47	63	79	95	111	127	143	159	175	191	207	223	239	255	271	287	303	319	335

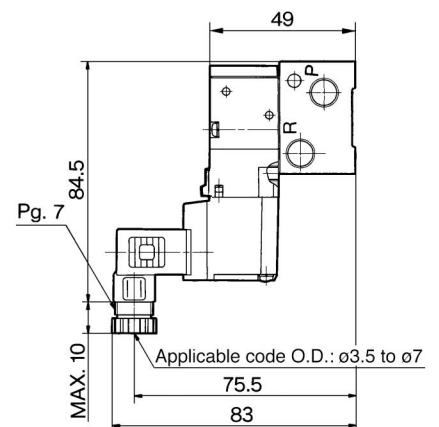
L plug connector (L)



M plug connector (M)



DIN terminal (D)



□: with indicator light and surge voltage suppressor

SY

SYJ

VK

VZ

VT

VT

VP

VG

VP

VQ

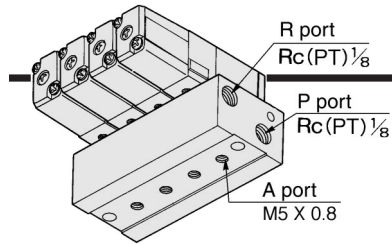
VQZ

VZ

VS

VZ300

For External Pilot 40R Type Manifold: Bottom Ported



How to Order

VV3Z3 - 40R - 05 2 - M5

Stations	
02	2 stations
⋮	⋮
20	20 stations

A port size	
M5	M5 X 0.8

Note) If > 9 stations, supply and exhaust air through P port or R port on both sides of the manifold.

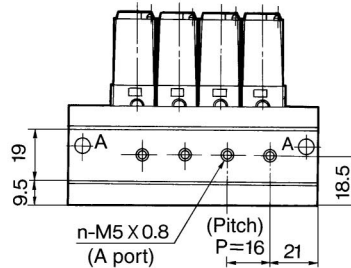
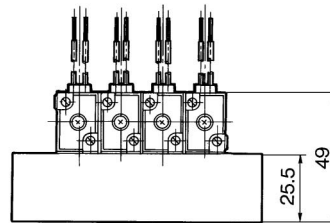
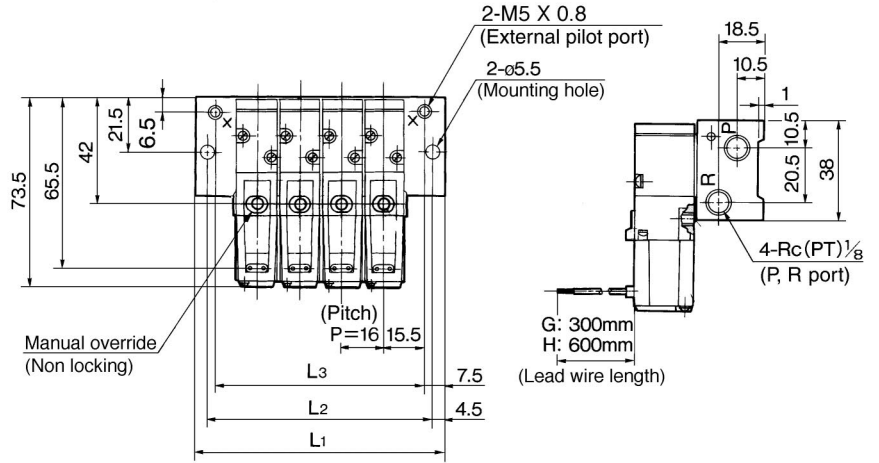
Applicable solenoid valve

VZ314R-□□□□
VZ324R-□□□□

Applicable blank plate assembly

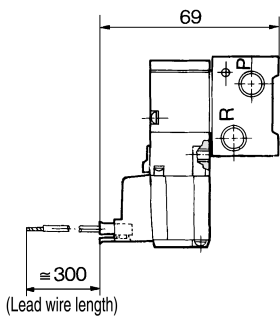
DXT200-8-1A

Grommet (G) (H)

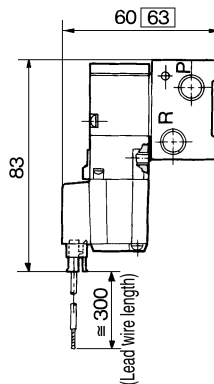


Station	2	3	4	5	6	7	8	9	10	11	12	13	14	15	16	17	18	19	20
L1	62	78	94	110	126	142	158	174	190	206	222	238	254	270	286	302	318	334	350
L2	53	69	85	101	117	133	149	165	181	197	213	229	245	261	277	293	309	325	341
L3	47	63	79	95	111	127	143	159	175	191	207	223	239	255	271	287	303	319	335

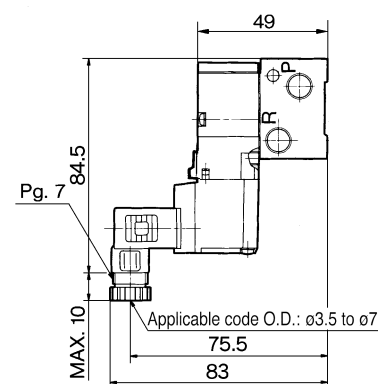
L plug connector (L)



M plug connector (M)

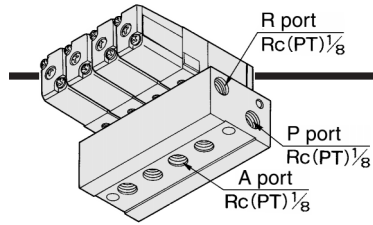


DIN terminal (D)

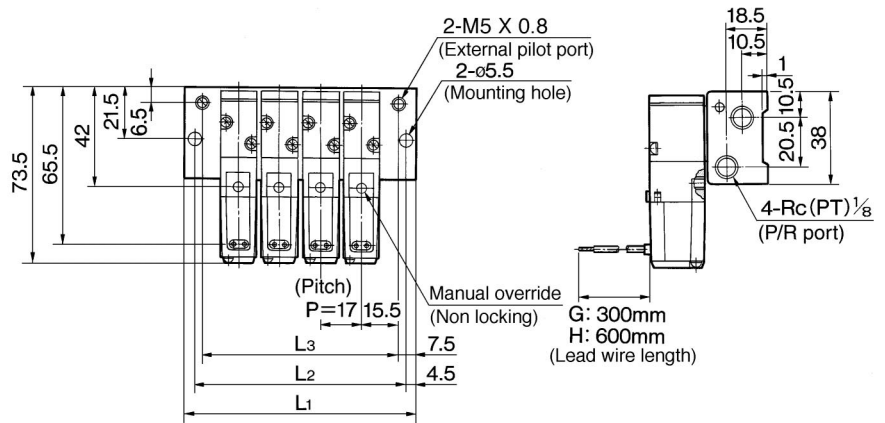


□: with indicator light and surge voltage suppressor

For External Pilot 40R Type Manifold: Bottom Ported



Grommet (G), (H)



How to Order

VV3Z3 - 40R - 2 - 01

Stations	
02	2 stations
⋮	⋮
20	20 stations

A port size	
01	Rc(PT) 1/8



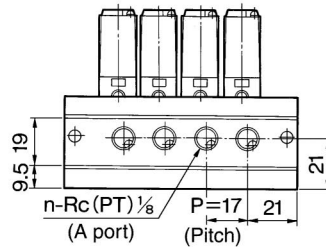
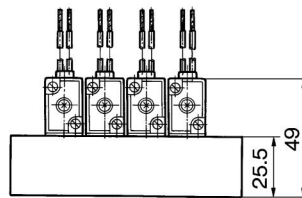
Note) If > 9 stations, supply and exhaust air through P port or R port on both sides of the manifold.

Applicable solenoid valve

VZ314R-□□□□
VZ324R-□□□□

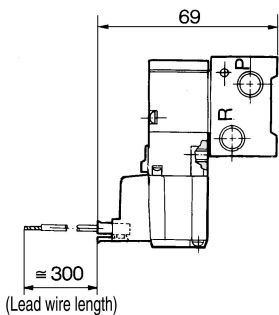
Applicable blank plate assembly

DXT200-8-1A

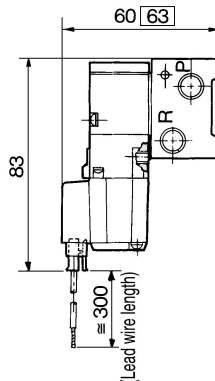


Station	2	3	4	5	6	7	8	9	10	11	12	13	14	15	16	17	18	19	20
L1	63	80	97	114	131	148	165	182	199	216	233	250	267	284	301	318	335	352	369
L2	54	71	88	105	122	139	156	173	190	207	224	241	258	275	292	309	326	343	360
L3	48	65	82	99	116	133	150	167	184	201	218	235	252	269	286	303	320	337	354

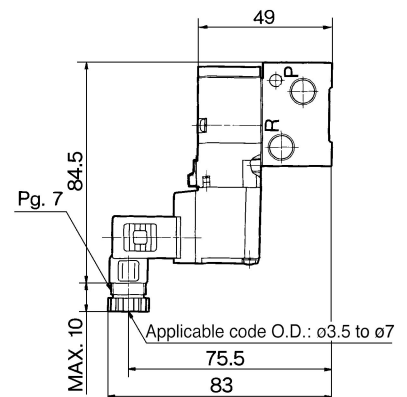
L plug connector (L)



M plug connector (M)



DIN terminal (D)



□: with indicator light and surge voltage suppressor

SY

SYJ

VK

VZ

VT

VT

VP

VG

VP

VQ

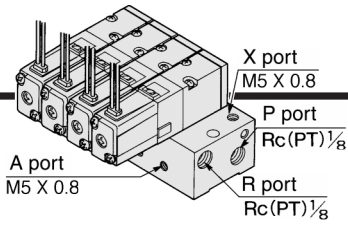
VQZ

VZ

VS

VZ300

For External Pilot 40R Type Manifold: Side Ported



Grommet (G), (H)

How to Order

VV3Z3 - 40R - 05 1 - M5

Stations	
02	2 stations
⋮	⋮
20	20 stations

A port size	
M5	M5 X 0.8



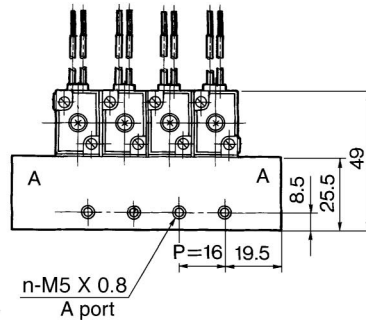
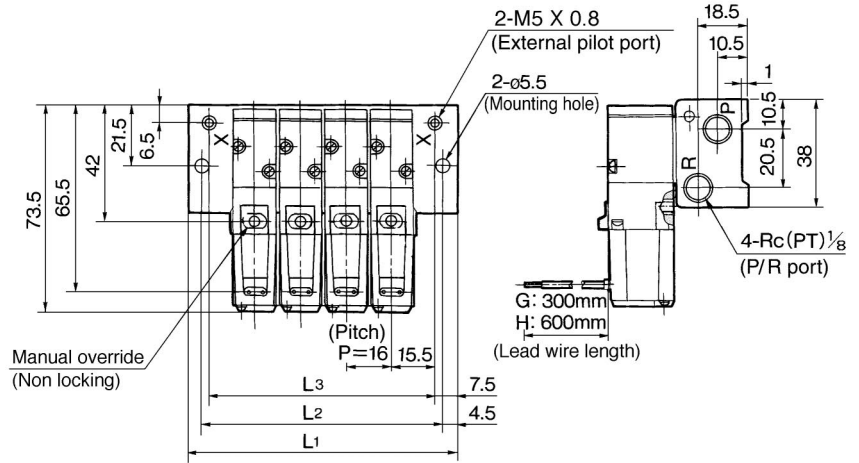
Note) If > 9 stations, supply and exhaust air through P port or R port on both sides of the manifold.

Applicable solenoid valve

VZ314R-□□□□
VZ324R-□□□□

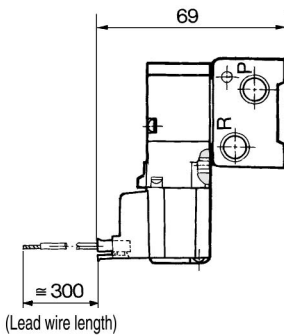
Applicable blank plate assembly

DXT200-8-1A

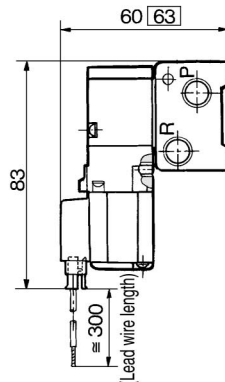


Station	2	3	4	5	6	7	8	9	10	11	12	13	14	15	16	17	18	19	20
L1	62	78	94	110	126	142	158	174	190	206	222	238	254	270	286	302	318	334	350
L2	53	69	85	101	117	133	149	165	181	197	213	229	245	261	277	293	309	325	341
L3	47	63	79	95	111	127	143	159	175	191	207	223	239	255	271	287	303	319	335

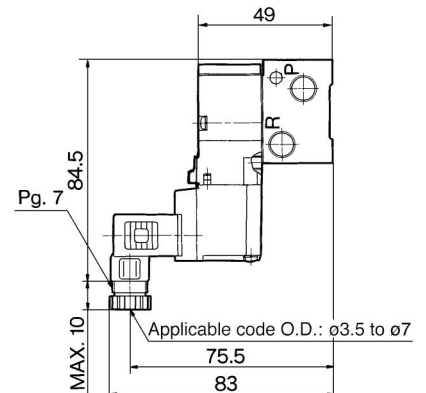
L plug connector (L)



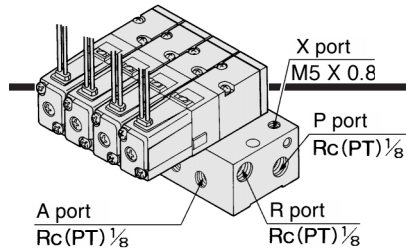
M plug connector (M)



DIN terminal (D)

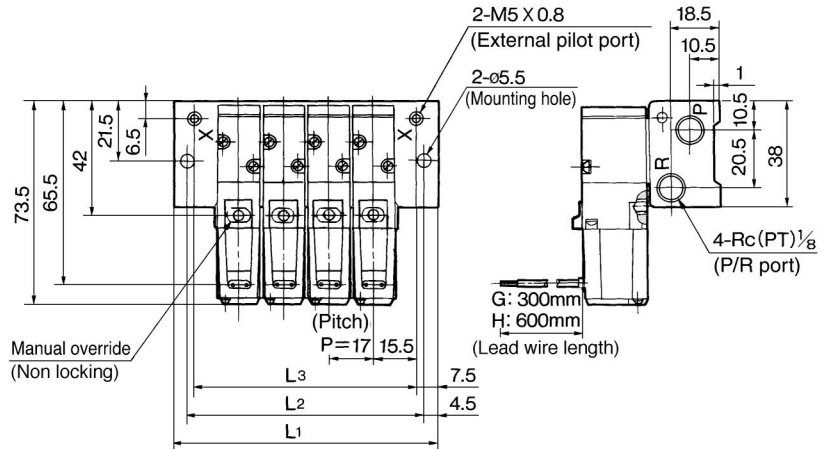


□: with indicator light and surge voltage suppressor



For External Pilot 40R Type Manifold: Side Ported

Grommet (G), (H)



How to Order

VV3Z3 - 40R - **05** 1 - 01

Stations	
02	2 stations
⋮	⋮
20	20 stations

A port size	
01	Rc(PT) 1/8



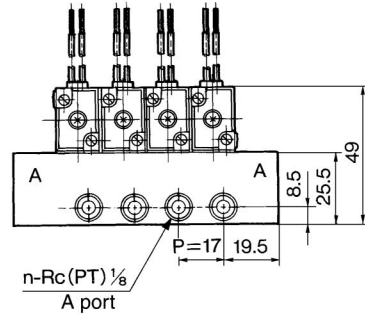
Note) If > 9 stations, supply and exhaust air through P port or R port on both sides of the manifold.

Applicable solenoid valve

VZ314R-□□□□
VZ324R-□□□□

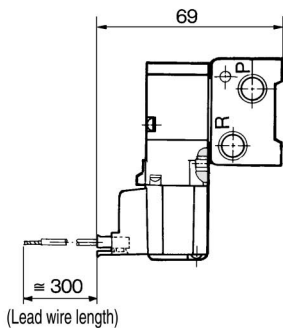
Applicable blank plate assembly

DXT200-8-1A

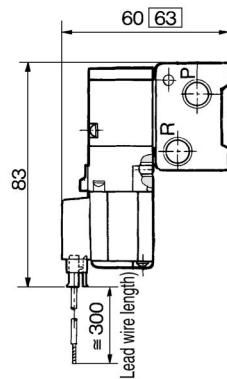


Station	2	3	4	5	6	7	8	9	10	11	12	13	14	15	16	17	18	19	20
L1	63	80	97	114	131	148	165	182	199	216	233	250	267	284	301	318	335	352	369
L2	54	71	88	105	122	139	156	173	190	207	224	241	258	275	292	309	326	343	360
L3	48	65	82	99	116	133	150	167	184	201	218	235	252	269	286	303	320	337	354

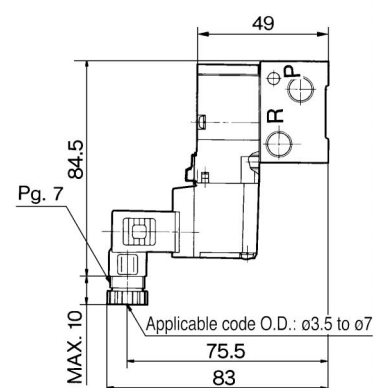
L plug connector (L)



M plug connector (M)



DIN terminal (D)



□: with indicator light and surge voltage suppressor

SY

SYJ

VK

VZ

VT

VT

VP

VG

VP

VQ

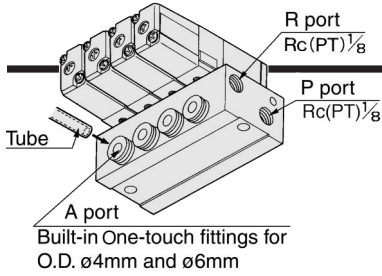
VQZ

VZ

VS

VZ300

For External Pilot 40R Type Manifold: Side Ported



How to Order

VV3Z3 - 40R - **05** 1 - **C6**

Stations

02	2 stations
⋮	⋮
20	20 stations

A port size

C4	ø4 One-touch fitting
C6	ø6 One-touch fitting

Note) If > 9 stations, supply and exhaust air through P port or R port on both sides of the manifold.

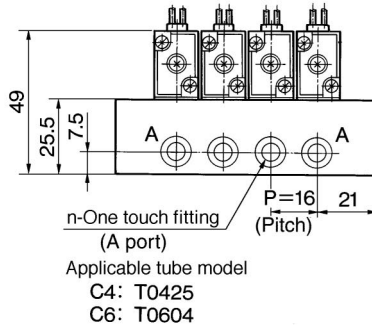
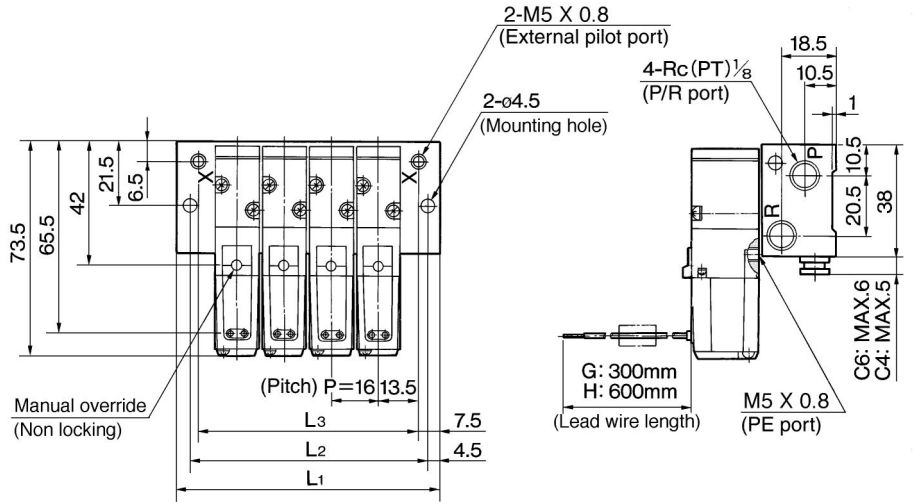
Applicable solenoid valve

VZ314R-□□□□
VZ324R-□□□□

Applicable blank plate assembly

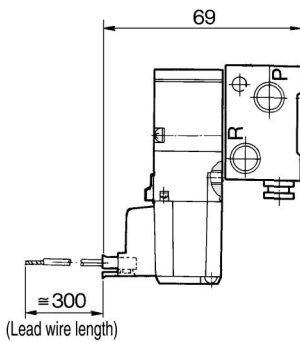
DXT200-8-1A

Grommet (G), (H)

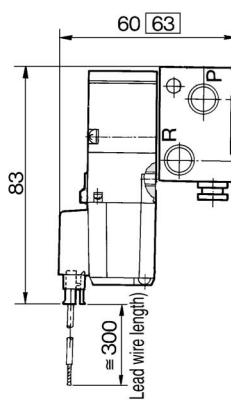


Station	2	3	4	5	6	7	8	9	10	11	12	13	14	15	16	17	18	19	20
L1	58	74	90	106	122	138	154	170	186	202	218	234	250	266	282	298	314	330	346
L2	49	65	81	97	113	129	145	161	177	193	209	225	241	257	273	289	305	321	337
L3	43	59	75	91	107	123	139	155	171	187	203	219	235	251	267	283	299	315	331

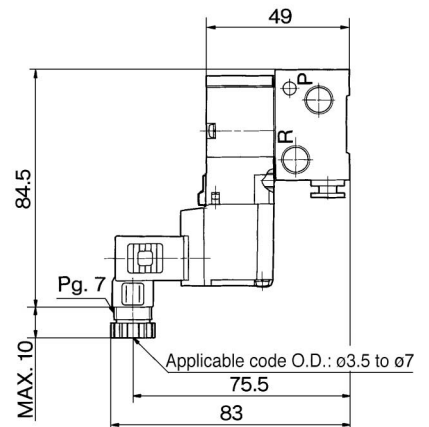
L plug connector (L)



M plug connector (M)

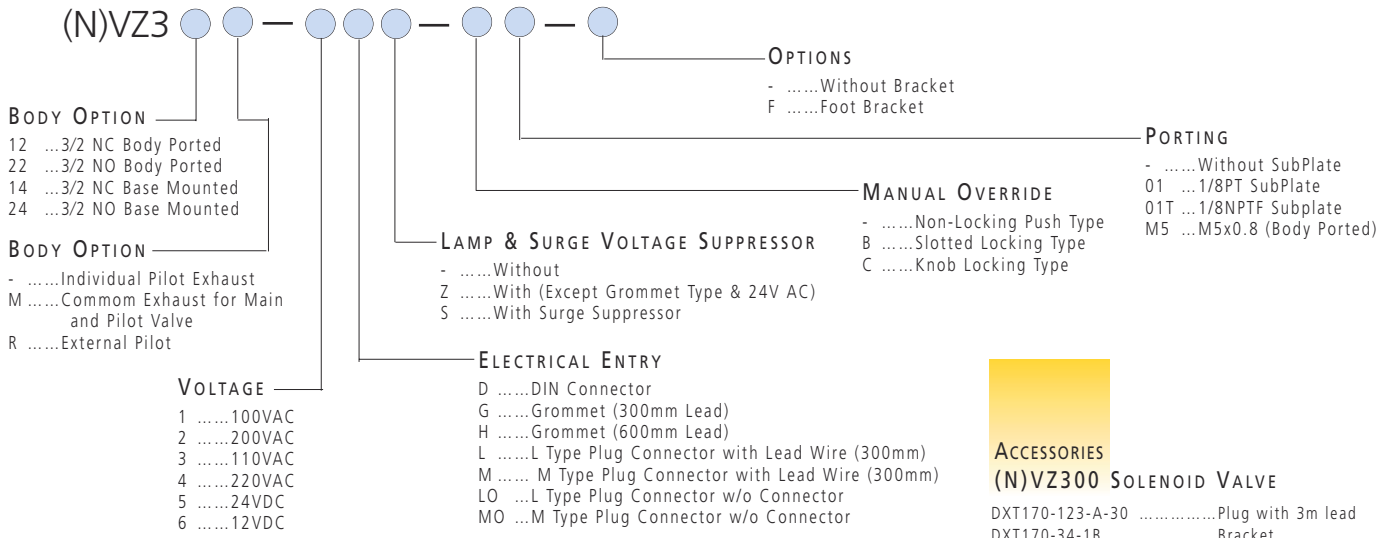


DIN terminal (D)



□: with indicator light and surge voltage suppressor

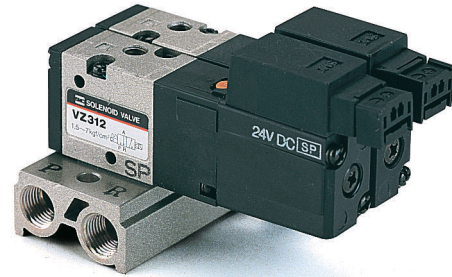
HOW TO ORDER (N)VZ300 SOLENOID VALVE



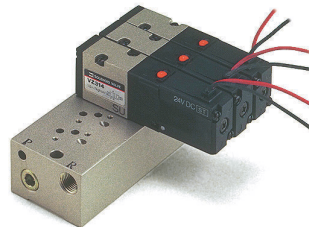
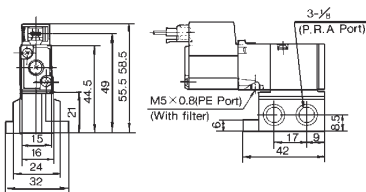
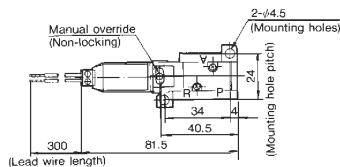
SERIES (N)VZ300 MANIFOLDS

A Single Sub-base and 3 different Manifold Designs.

- (i) Side Entry Single Sub-base for use with the Base Mounted Valve (Type 40).
- (ii) 2-10 Station Type 20 Mmanifold for use with the Body Ported Valve (Type 20).
- (iii) 2-10 Station Type 40 Side Entry Manifold for use with the Base Mounted Valve (Type 40).
- (iv) 2 - 10 Station Type 40 Bottom Entry Manifold for use with the Base Mounted Valve (Type 40).



DIMENSIONS SINGLE SUB-BASE SIDE PORTED M TYPE PLUG CONNECTOR



SEE INSIDE FRONT COVER FOR
DETAILS OF YOUR LOCAL SALES OFFICE



FOR FURTHER TECHNICAL
DETAILS ON THIS
PRODUCT, REQUEST
CATALOG REFERENCE
E120

HOW TO
ORDER

MANIFOLD TYPE 20 TOP PORTED

(N)VV3Z3 — 20 1

NUMBER OF STATIONS

02 ...2 stations
to
20 ...20 stations

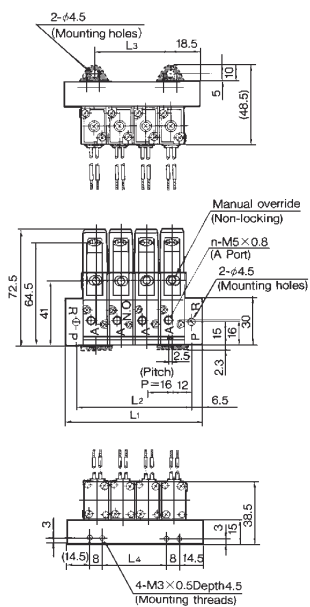
THREAD TYPE

- ...PT
00T ...NPTF

FOR FURTHER TECHNICAL INFORMATION
ON THIS SERIES, REQUEST CAT:E120

DIMENSIONS

MANIFOLD TYPE 20 TOP PORTED



Stations (n)	2	3	4	5	6	7	8	9	10
L1	53	69	85	101	117	133	149	165	181
L2	40	56	72	88	104	120	136	152	168
L3	16	32	48	64	80	96	112	128	144
L4	8	24	40	56	72	88	104	120	136

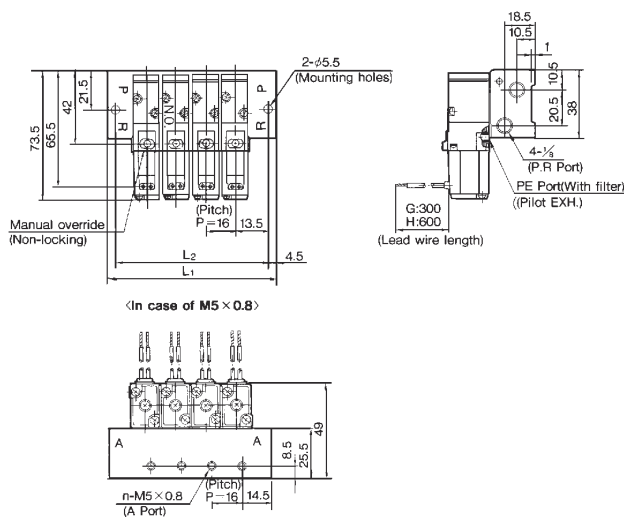
ACCESSORIES

- DXT170-25-1ABlanking Plate Kit
- DXT170-34-1AFoot Mount Kit

FOR FURTHER TECHNICAL INFORMATION
ON THIS SERIES, REQUEST CAT:E120

DIMENSIONS

MANIFOLD TYPE 40 SIDE PORTED



Stations (n)	2	3	4	5	6	7	8	9	10	
M5x0.8	L1	52	68	84	100	116	132	148	164	180
	L2	43	59	75	91	107	123	139	155	171

HOW TO
ORDER

MANIFOLD TYPE 40 SIDE PORTED

(N)VV3Z3 — 40 — 1

NUMBER OF STATIONS

02 ...2 Stations
to
20 ...20 Stations

SIZE OF A, B PORT

- M5 ...10-32Nom (P, R Port PT)
- M5T...10-32Nom (P, R Port NPTF)
- B3T ...One Touch Fitting 5/32"
- B7T ...One Touch Fitting 1/4"

ACCESSORIES

- DXT200-8-1ABlanking Plate Kit

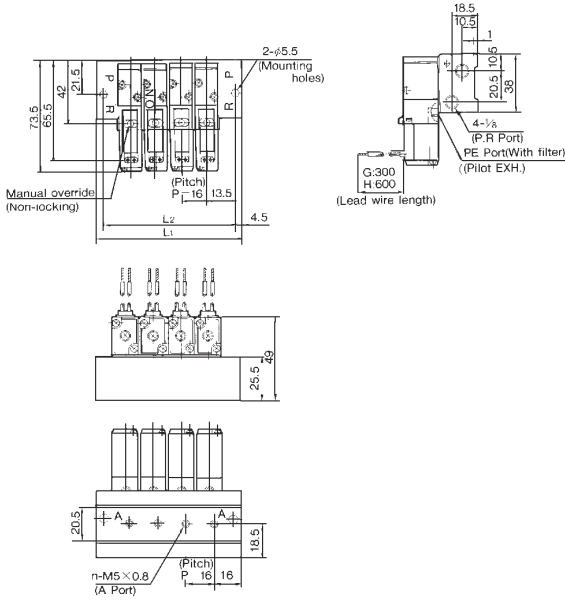
FOR FURTHER TECHNICAL INFORMATION
ON THIS SERIES, REQUEST CAT:E120

FOR FURTHER TECHNICAL
DETAILS ON THIS
PRODUCT, REQUEST
CATALOG REFERENCE
E120



DIMENSIONS

MANIFOLD TYPE 40 BOTTOM PORTED



Stations (n)	2	3	4	5	6	7	8	9	10	
M5x0.8	L1	52	68	84	100	116	132	148	164	180
	L2	43	59	75	91	107	123	139	155	171

HOW TO ORDER

MANIFOLD TYPE 40 BOTTOM PORTED

(N)VZ300 — 40 — ● 2 — ●

NUMBER OF STATIONS
02 ...2 stations
to
20 ...20 stations

SIZE OF A, B PORT
M5 ...10-32Nom (P, R Port PT)
M5T...10-32Nom (P, R Port NPTF)
01T ...1/8" NPTF

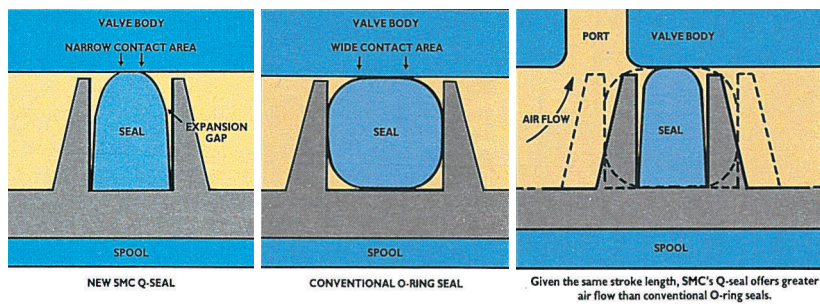
ACCESSORIES

MANIFOLD TYPE 40 SIDE PORTED

DXT200-8-1A Blanking Plate Kit

FOR FURTHER TECHNICAL INFORMATION
ON THIS SERIES, REQUEST CAT:E120

THE Q SEAL



AS PART OF A LONG TERM DEVELOPMENT PROGRAM TO IMPROVE THE PERFORMANCE AND DURABILITY OF PNEUMATIC VALVE SEALS, SMC HAS DEVELOPED A NEW TYPE OF SEAL WHICH OVERCOMES THE PROBLEMS INHERENT WITH TRADITIONAL O-RINGS AND BONDED SEALS - CALLED Q SEAL, IT FEATURES A SPECIAL PROFILE WHICH REDUCES SLIDING RESISTANCE TO A MINIMUM, ENHANCES BOTH LONG TERM RELIABILITY AND AIR FLOW CHARACTERISTICS AND PROVIDES BI-DIRECTIONAL PORT ACCESS.

SEE INSIDE FRONT COVER FOR
DETAILS OF YOUR LOCAL SALES OFFICE



FOR FURTHER TECHNICAL
DETAILS ON THIS
PRODUCT, REQUEST
CATALOG REFERENCE
E120