

Series VZ400 Manifold Specifications

Manifold Variations: VV3Z4



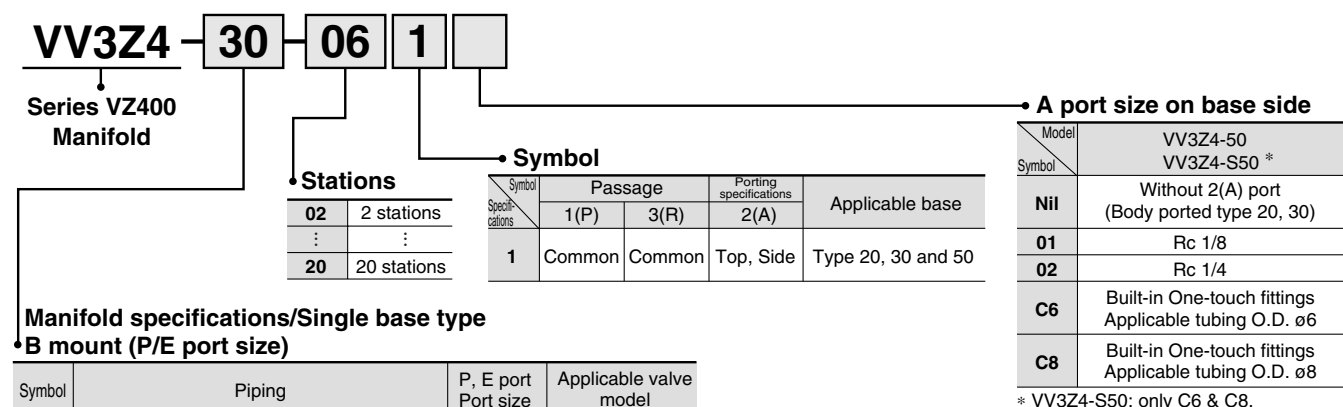
Model

| | | | | | |
|------------------------|---------------------------|----------------------------|----------------|---------------------------------------|-----------------------------|
| Manifold type | | Single base, B mount | | | |
| Passage | | Common SUP/EXH type | | | |
| Valve stations | | Max. 20 stations | | | |
| Manifold base model | | VV3Z4-20 | VV3Z4-30 | VV3Z4-50 | VV3Z4-S50 |
| Pilot valve exhaust | | Individual exhaust | Common exhaust | Common exhaust | |
| | | | | | Built-in One-touch fittings |
| 2(A) port | Piping direction/Location | Top/Valve | | Side/Base (Opposite side of solenoid) | |
| | Port size | Rc 1/8 | | Rc1/8, 1/4 | C6, C8 |
| P, E port | Port size | Rc 1/4 | | Rc 1/4 | |
| Applicable valve model | | VZ412□□□-01 VZ422□□□-01 | | VZ415-□□□ VZ425-□□□ | |
| | | Body ported | | Base mounted (Without sub-plate) | |
| Blanking plate | | VVZ400-31A-1 | VVZ400-32A-1 | VVZ400-32A-2 | VVZ400-31A-2 |

Screws and Gasket Assembly Part No.

| Model | Part no. |
|------------------|----------|
| VV3Z4-20 | BG-VZ402 |
| VV3Z4-30 | BG-VZ403 |
| VV3Z4-50 -S50 | BG-VZ405 |

How to Order Manifold Base



Manifold specifications/Single base type B mount (P/E port size)

| Symbol | Piping | P, E port Port size | Applicable valve model |
|--------|--|---------------------|------------------------|
| 20 | Body ported (Individual pilot exhaust) | Rc 1/4 | VZ4□2 |
| 30 | Body ported (Common pilot exhaust) | Rc 1/4 | VZ4□2 |
| 50 | Base mounted (Common pilot exhaust) 2(A) port direction: opposite side of solenoid valve | Rc 1/4 | VZ4□5 |
| S50* | Base mounted (Common pilot exhaust) 2(A) port direction: same side of solenoid valve | Rc 1/4 | VZ4□5 |

* Type S50 is available only with built-in One-touch fittings.

Instruct by specifying the valves, blanking plate option to be mounted on the manifold along with the manifold base model no. And for the order of valves installation or option's position, instruct separately by the manifold specification sheet.

(Example)

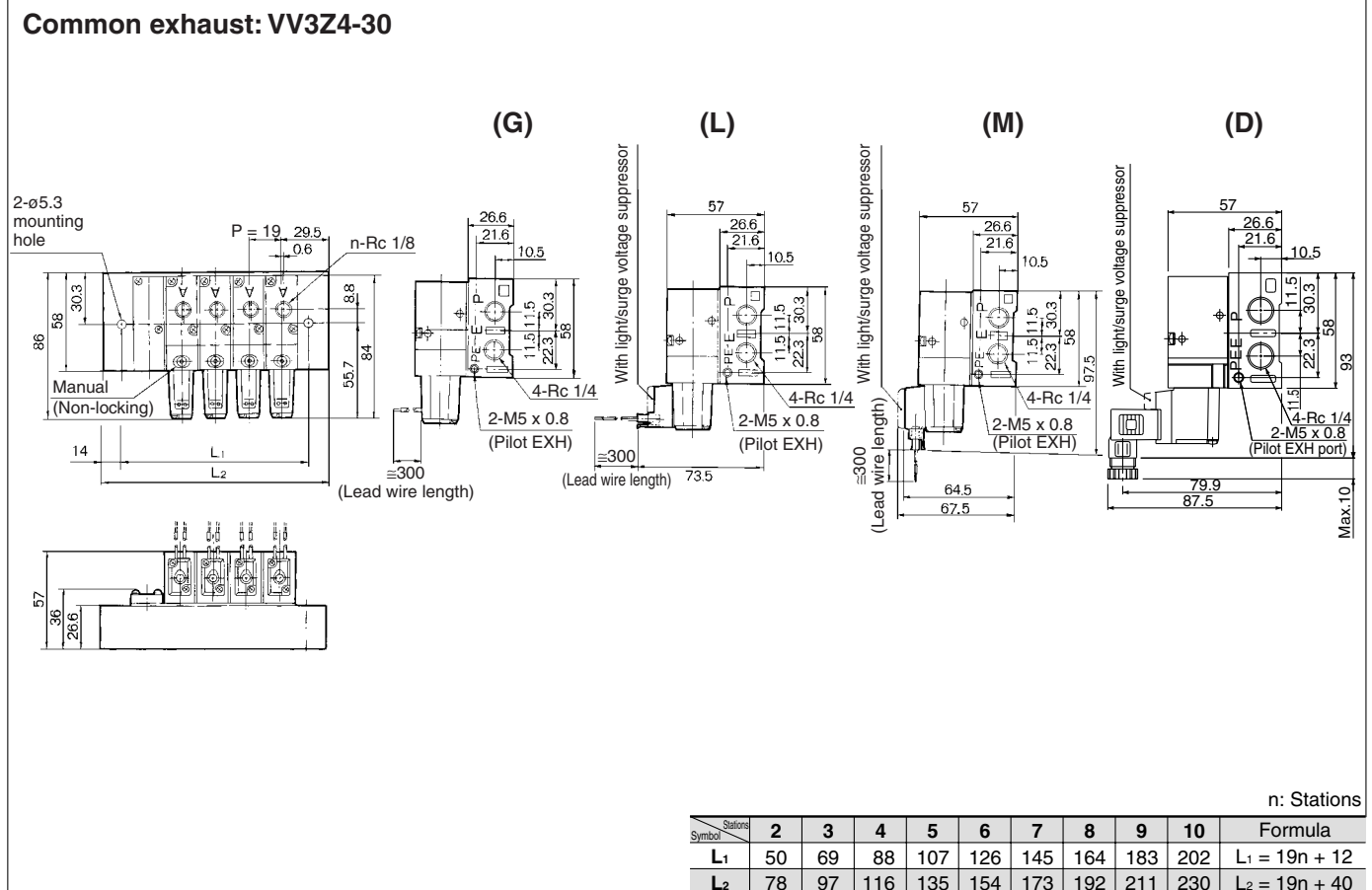
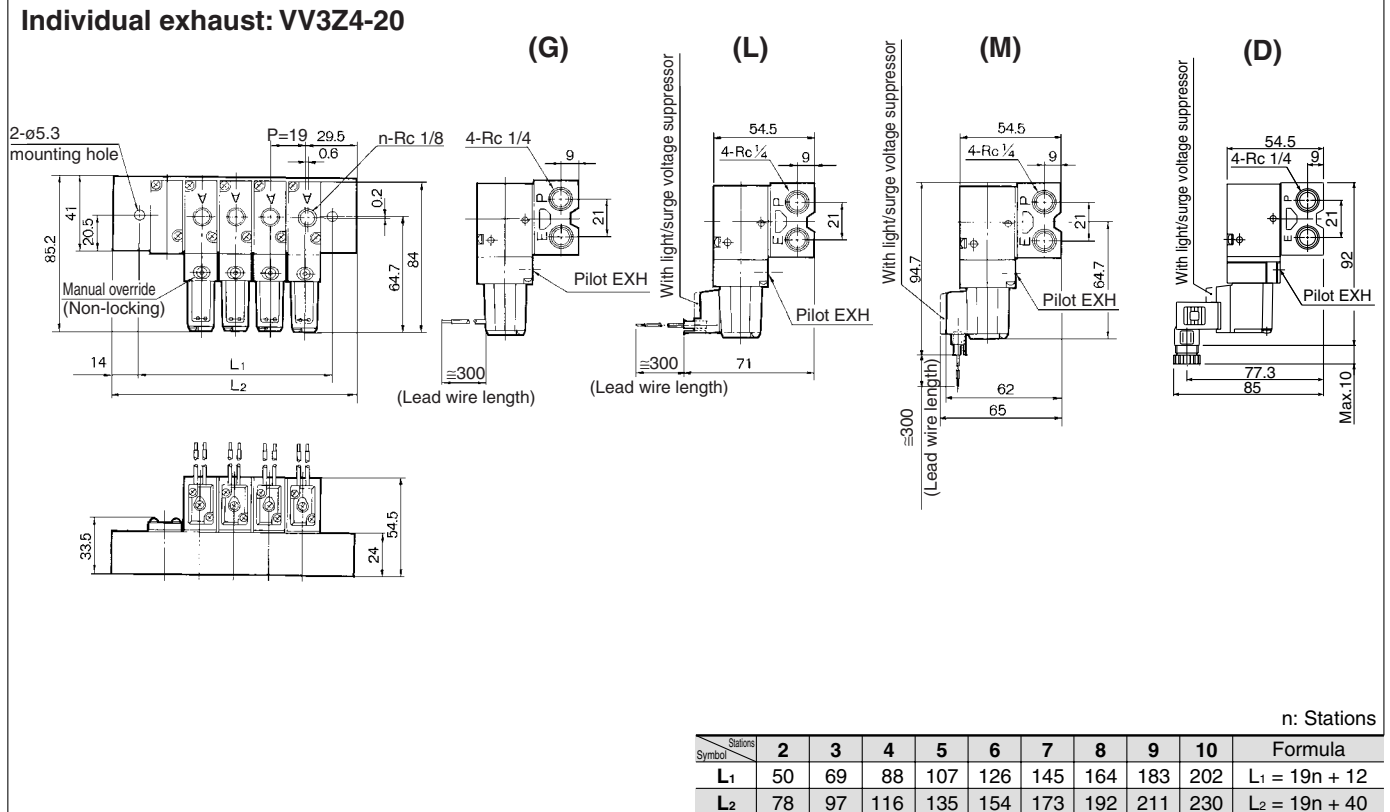
<Top ported, common pilot exhaust>
VV3Z4-30-061 (6 stations)
VZ412-1G-01..... 3 pcs.
VZ412-1G-01..... 2 pcs.
VVZ400-32A-1..... 1 pc. (Blanking plate)

<Side ported, common pilot exhaust>
VV3Z4-50-061-01 (6 stations)
VZ415-1G..... 3 pcs.
VZ425-1G..... 2 pcs.
VVZ400-32A-2..... 1 pc. (Blanking plate)

<Side ported, common pilot exhaust>
VV3Z4-S50-061-C8 (6 stations)
VZ415-5L..... 3 pcs.
VZ415-5L..... 3 pcs.

Series VZ400

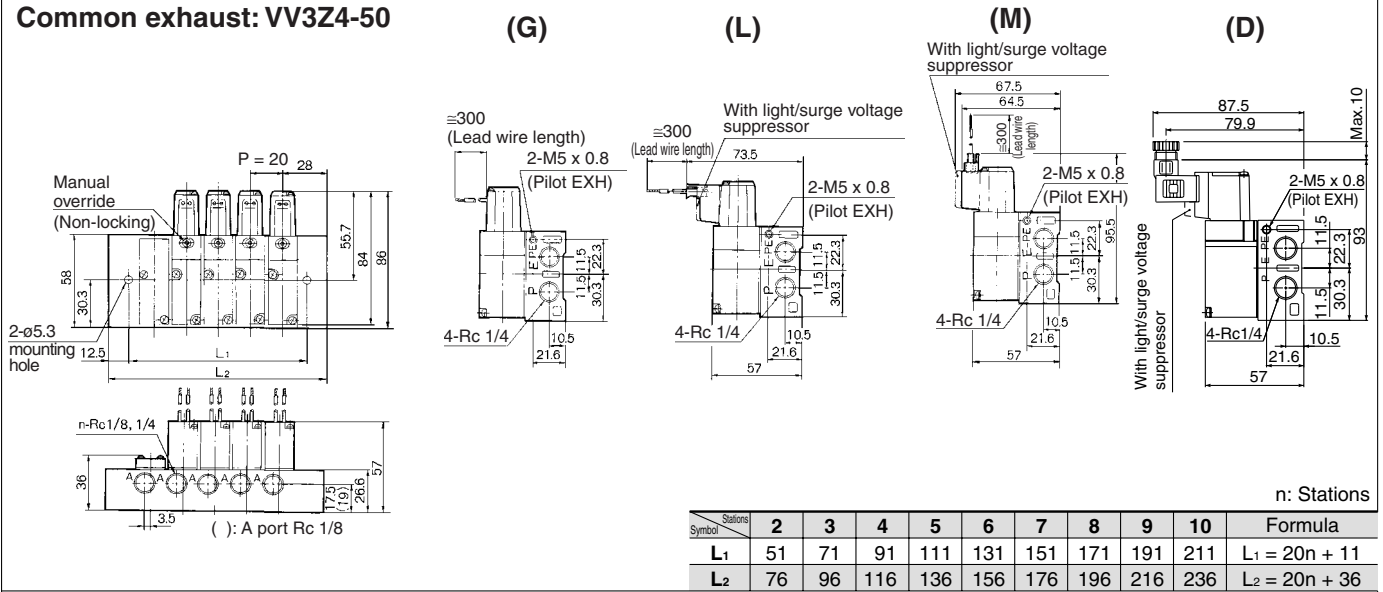
Dimensions: Individual Exhaust/Common Exhaust



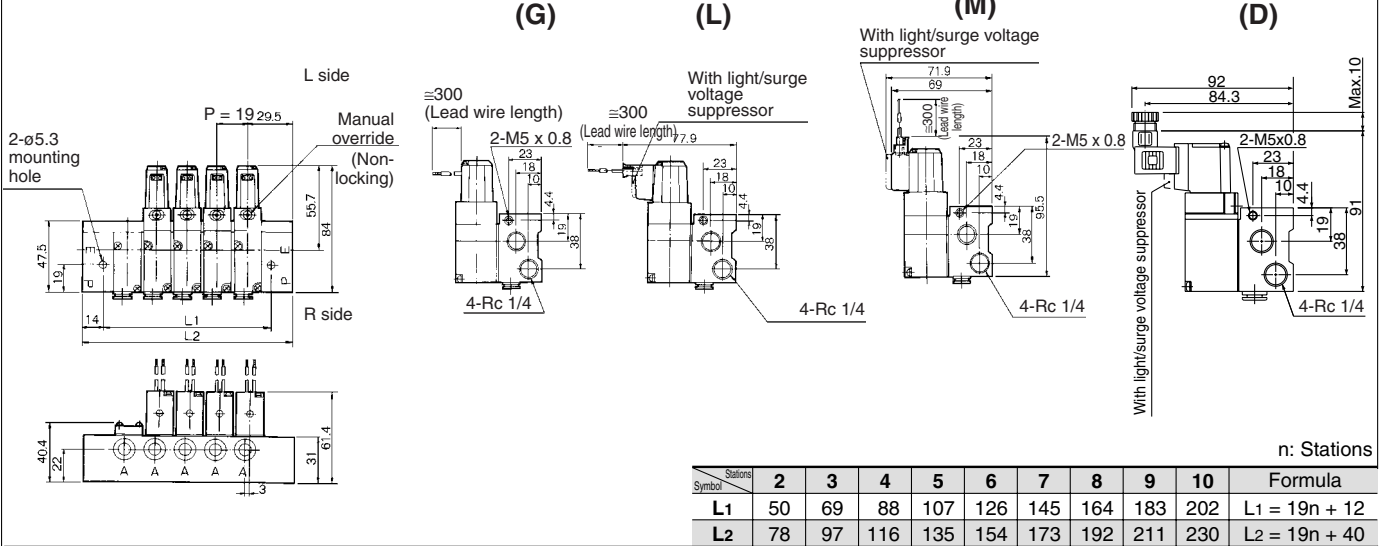
3 Port Solenoid Valve Metal Seal, Body Ported/Base Mounted Series VZ400

Dimensions: Common Exhaust

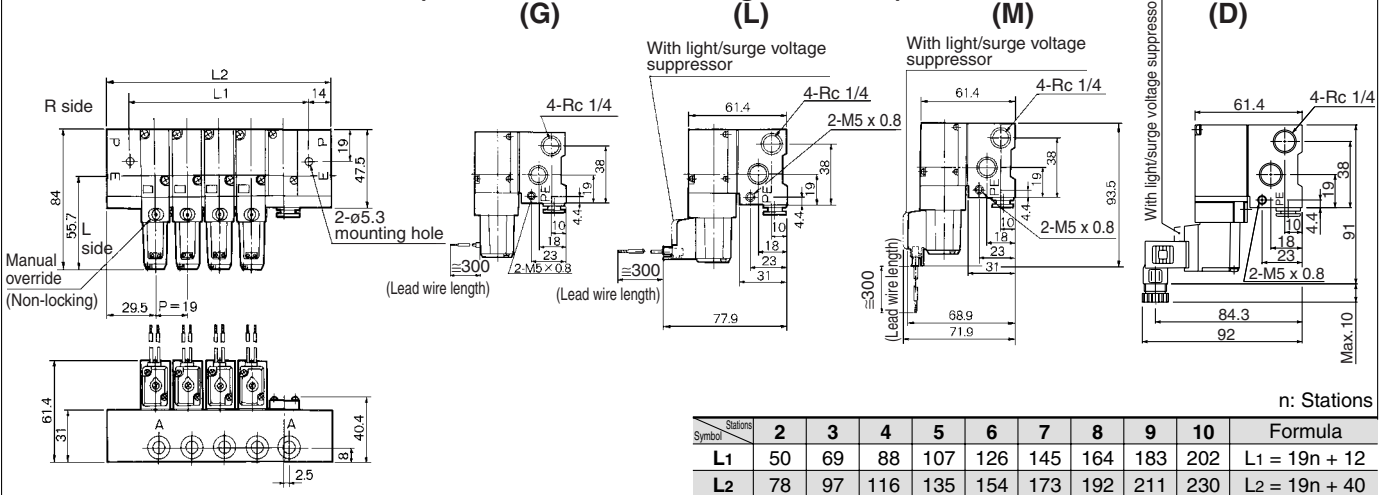
Common exhaust: VV3Z4-50



Common exhaust: VV3Z4-50 (Built-in One-touch fittings manifold)



Common exhaust: VV3Z4-S50 (Built-in One-touch fittings manifold)



- V100
- SY
- SYJ
- VK
- VZ
- VT
- VP
- VG
- VP
- S070
- VQ
- VKF
- VQZ
- VZ**
- VS
- VFN