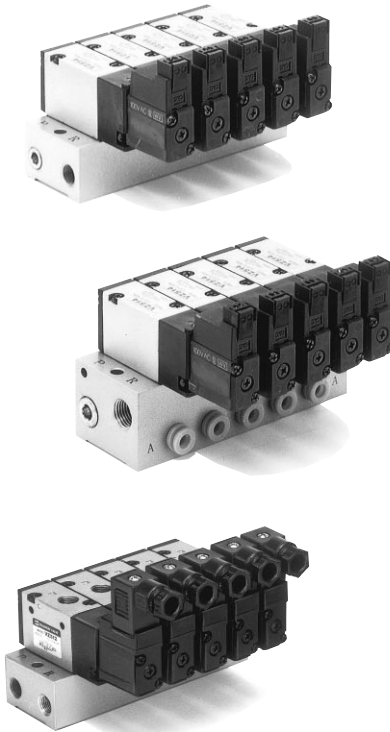


Series VZ500 Manifold



Manifold Specifications

Model	Internal pilot	20-□1	21-□1	40-□2	41-□2	41-□1
	External pilot	-	21R-□1	-	41R-□2	41R-□1
Manifold	Single base/B mount					
P(SUP)/R(EXH) style	Common SUP/Common EXH					
Stations	2 to 20 stations					
A port piping	Position	Valve	Valve	Base	Base	Base
	Direction	Top	Top	Bottom	Bottom	Side
Port size	P/R port	Rc(PT) 1/8	Rc(PT) 1/4	Rc(PT) 1/8	Rc(PT) 1/4	Rc(PT) 1/4
	A port	Rc(PT) 1/8	Rc(PT) 1/8	Rc(PT) 1/8	Rc(PT) 1/8	C6 (ø6 One-touch fitting) C8 (ø8 One-touch fitting)
	X port ⁽¹⁾	-	M5 X 0.8	-	M5 X 0.8	M5 X 0.8
Valve effective area mm ² (Cv) ⁽²⁾	Body ported VZ5□2/VZ5□2R	10.6(0.59)		-		
	Base mounted VZ5□4/VZ5□4R	-		10.2(0.57)	10.2(0.57)	1/8: 9.2(0.51) C6: 8.8(0.49) C8: 10(0.56)
Page on How to Order	Internal pilot	p.2.4-35	p.2.4-36	p.2.4-37	p.2.4-38	p.2.4-39, 2.4-40
	External pilot	-	p.2.4-41	-	p.2.4-42	p.2.4-43, 2.4-44



Note 1) Only for external pilot

Note 2) Value at manifold base mounted

How to Order Manifold Base

To order valves and blank plate assembly mounted onto the manifold, list valves and blank plate assembly with manifold base.

(Sample)

VV3Z5-20-0311 pc. (Manifold base)

VZ512-5LZ-012 pcs. (Valve)

DXT201-15-1A1 pc. (Blank plate ass'y)

VV3Z5-41R-031-01 ...1 pc. (Manifold base)

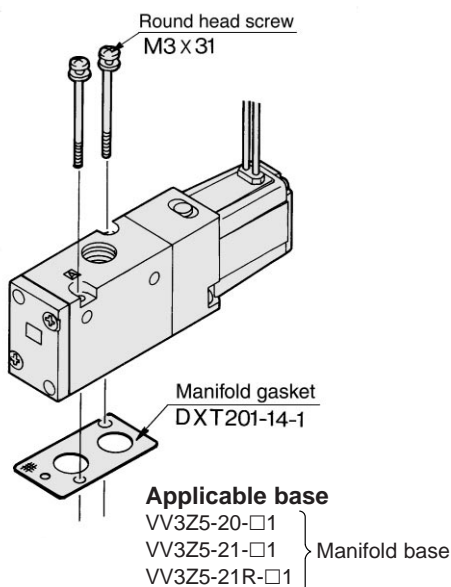
VZ514R-5G2 pcs. (Valve)

DXT201-15-1A1 pc. (Blank plate ass'y)

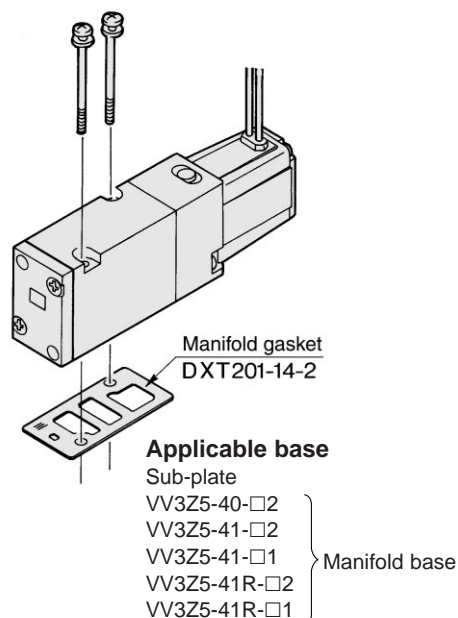
Option

Combinations of solenoid valve, manifold gasket and manifold base

Body ported (VZ5□2)

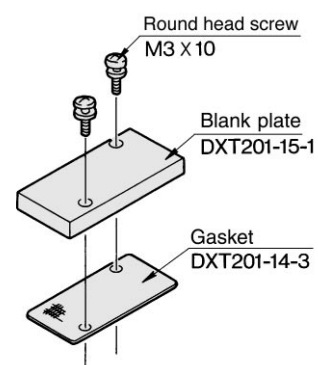


Base mounted (VZ5□4)

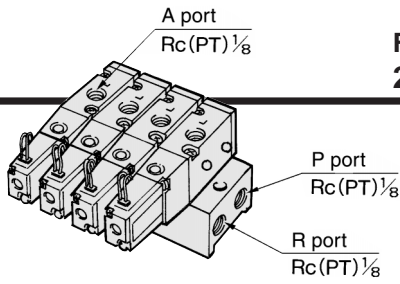


Blank plate Assembly

DXT201-15-1A



For Internal Pilot 20 Type Manifold: Top Ported



Grommet (G), (H)

How to Order

VV3Z5 - 20 - 05 1

Stations

02	2 stations
...	...
20	20 stations



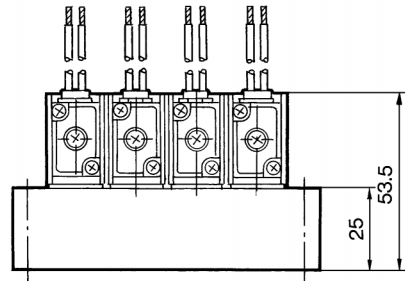
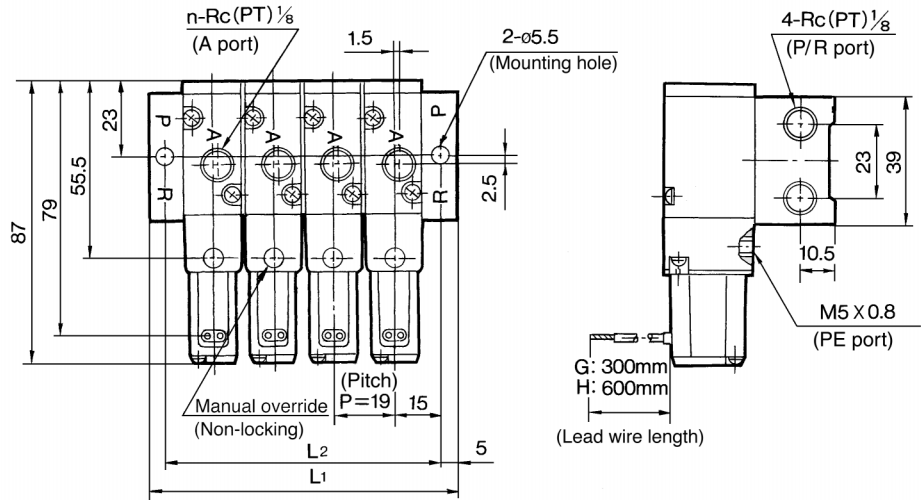
Note) If > 6 stations, supply air to P port on both sides of the manifold and exhaust from R port on both sides of the manifold.

Applicable solenoid valve

- VZ512-□□□□-01
- VZ512M-□□□□-01
- VZ522-□□□□-01
- VZ522M-□□□□-01

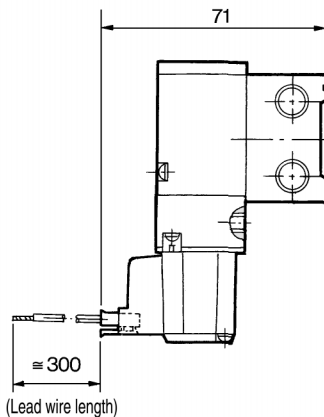
Applicable blank plate assembly

DXT201-15-1A

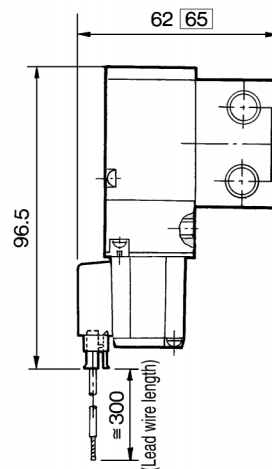


Station	2	3	4	5	6	7	8	9	10	11	12	13	14	15	16	17	18	19	20
L1	59	78	97	116	135	154	173	192	211	230	249	268	287	306	325	344	363	382	401
L2	49	68	87	106	125	144	163	182	201	220	239	258	277	296	315	334	353	372	391

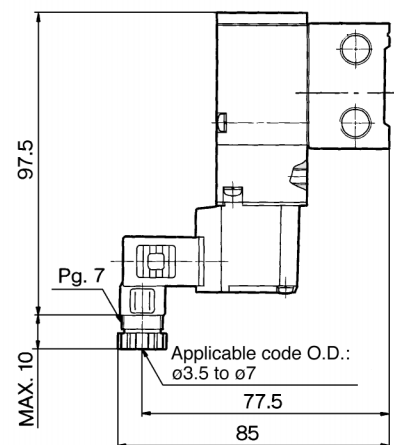
L plug connector (L)



M plug connector (M)



DIN terminal (D)



□: with indicator light and surge voltage suppressor

SY

SYJ

VK

VZ

VT

VT

VP

VG

VP

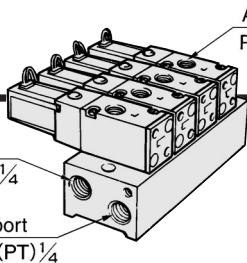
VQ

VQZ

VZ

VS

VZ500



For Internal Pilot 21 Type Manifold: Top Ported

How to Order

VV3Z5 - 21 - 05 1

Stations

02	2 stations
⋮	⋮
20	20 stations



Note) If there are more than 9 stations, supply air to P port on both sides of the manifold and exhaust from R port on both sides of the manifold.

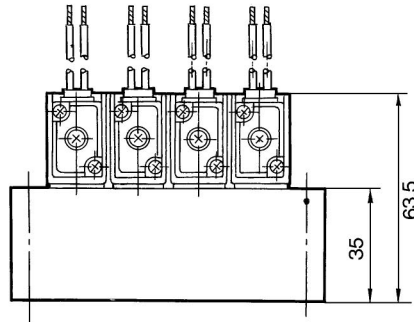
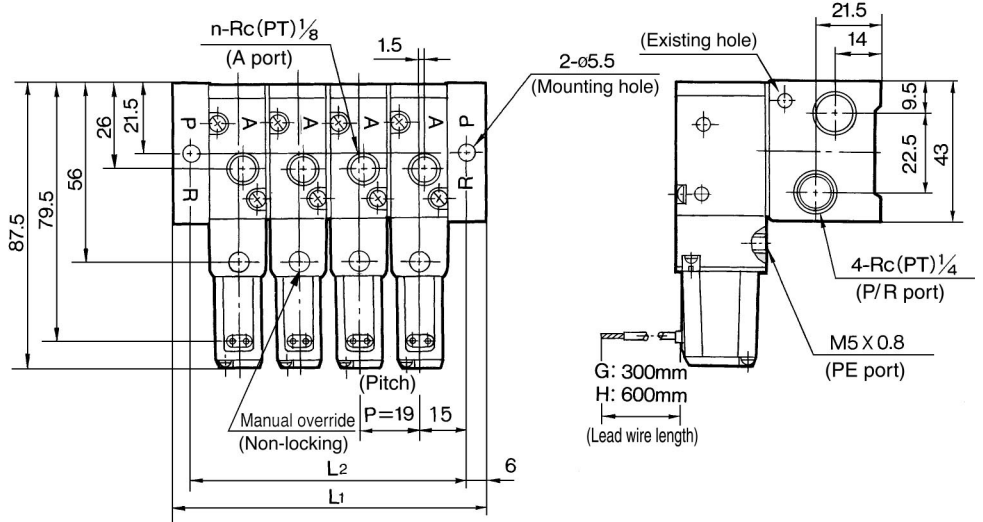
Applicable solenoid valve

VZ512-□□□□-01
VZ512M-□□□□-01
VZ522-□□□□-01
VZ522M-□□□□-01

Applicable blank plate assembly

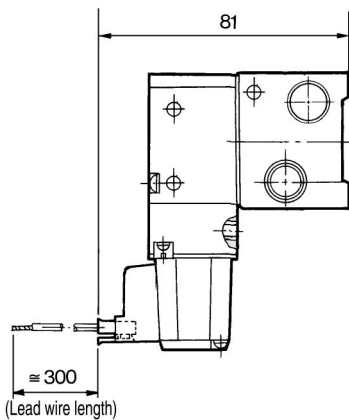
DXT201-15-1A

Grommet (G), (H)

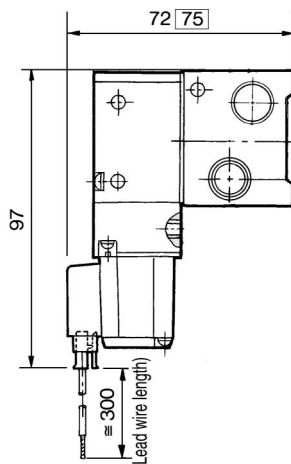


Station	2	3	4	5	6	7	8	9	10	11	12	13	14	15	16	17	18	19	20
L ₁	61	80	99	118	137	156	175	194	213	232	251	270	289	308	327	346	365	384	403
L ₂	49	68	87	106	125	144	163	182	201	220	239	258	277	296	315	334	353	372	391

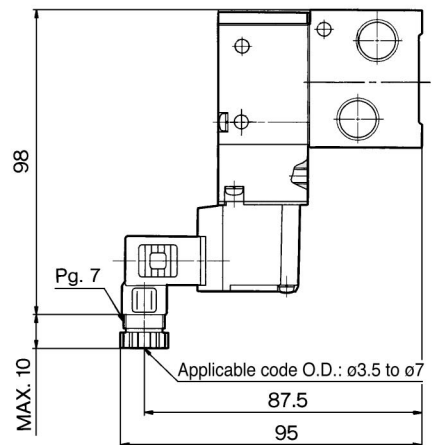
L plug connector (L)



M plug connector (M)

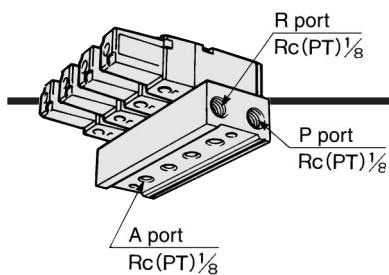


DIN terminal (D)



□: with indicator light and surge voltage suppressor

For Internal Pilot 40 Type Manifold: Bottom Ported



How to Order

VV3Z5 - 40 - 05 2 - 01

Stations

02	2 stations
...	...
20	20 stations

A port size

01	Rc(PT) 1/8
----	------------



Note) If > 6 stations, supply air to P port on both sides of the manifold and exhaust from R port on both sides of the manifold.

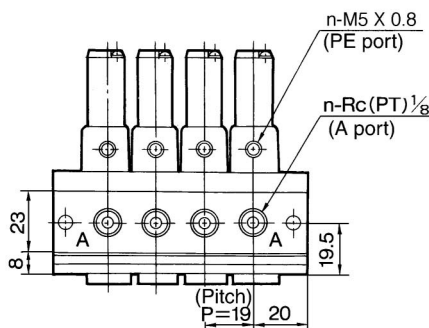
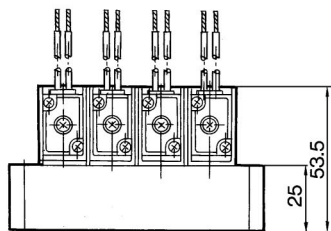
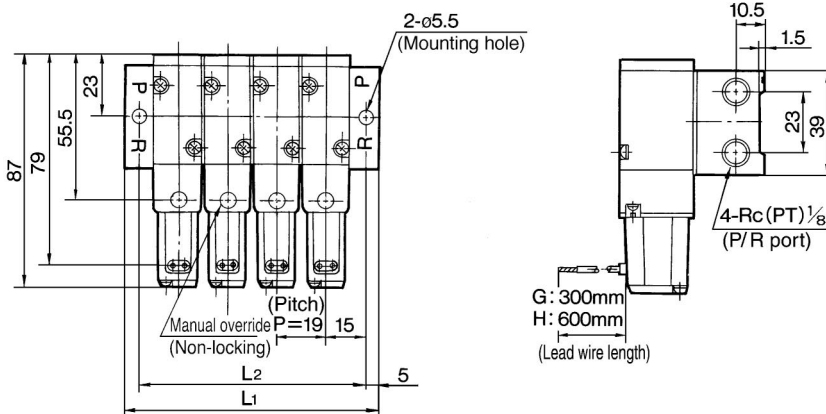
Applicable solenoid valve

- VZ514-□□□□
- VZ514M-□□□□
- VZ524-□□□□
- VZ524M-□□□□

Applicable blank plate assembly

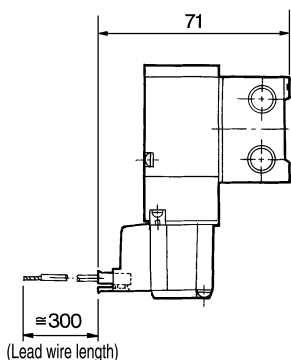
DXT201-15-1A

Grommet (G), (H)

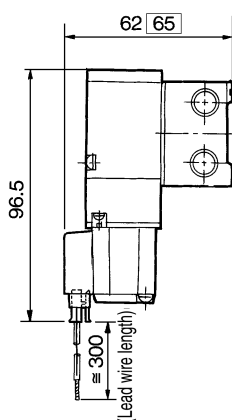


Station	2	3	4	5	6	7	8	9	10	11	12	13	14	15	16	17	18	19	20
L1	59	78	97	116	135	154	173	192	211	230	249	268	287	306	325	344	363	382	401
L2	49	68	87	106	125	144	163	182	201	220	239	258	277	296	315	334	353	372	391

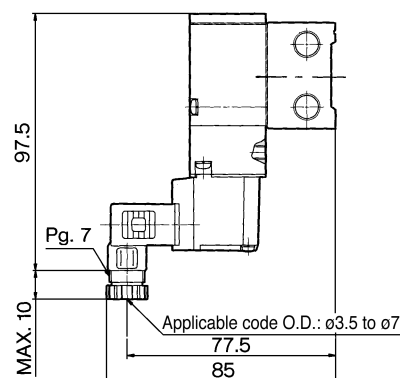
L plug connector (L)



M plug connector (M)



DIN terminal (D)

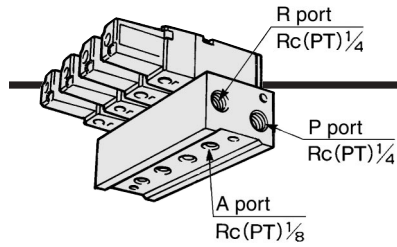


□: with indicator light and surge voltage suppressor

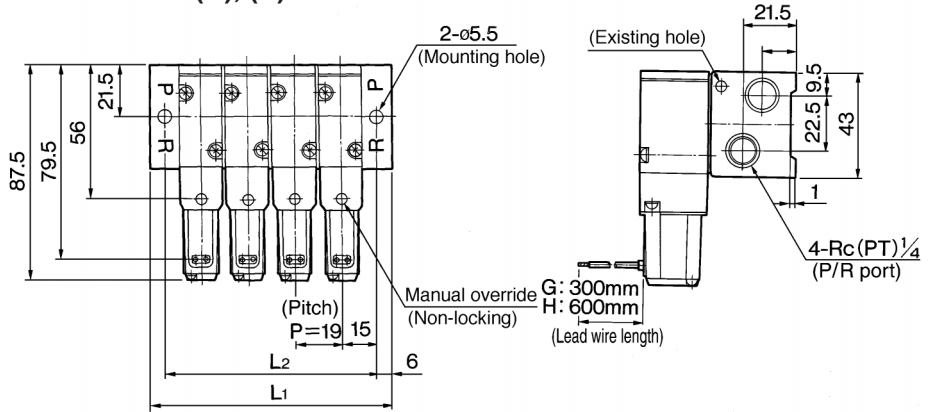
- SY
- SYJ
- VK
- VZ**
- VT
- VT
- VP
- VG
- VP
- VQ
- VQZ
- VZ
- VS

VZ500

For Internal Pilot 41 Type Manifold: Bottom Ported



Grommet (G), (H)



How to Order

VV3Z5 - 41 - 05 2 - 01

Stations	
02	2 stations
⋮	⋮
20	20 stations

A port size	
01	Rc(PT) 1/8

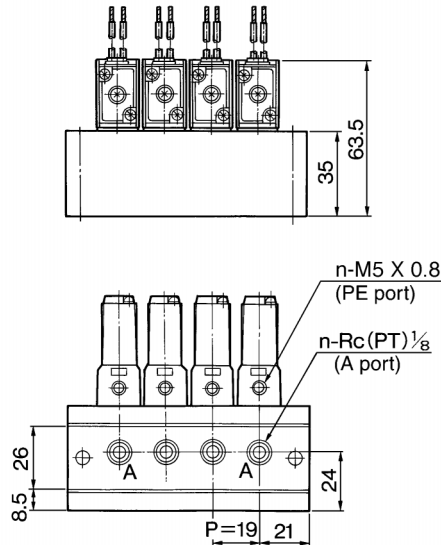
Note) If > 9 stations, supply air to P port on both sides of the manifold and exhaust from R port on both sides of the manifold.

Applicable solenoid valve

- VZ514-□□□□
- VZ514M-□□□□
- VZ524-□□□□
- VZ524M-□□□□

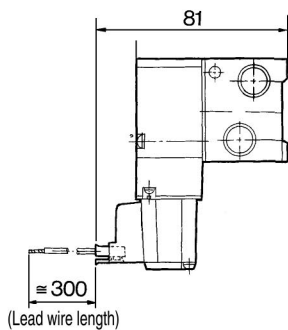
Applicable blank plate assembly

DXT201-15-1A

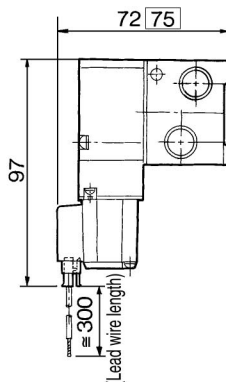


Station	2	3	4	5	6	7	8	9	10	11	12	13	14	15	16	17	18	19	20
L1	61	80	99	118	137	156	175	194	213	232	251	270	289	308	327	346	365	384	403
L2	49	68	87	106	125	144	163	182	201	220	239	258	277	296	315	334	353	372	391

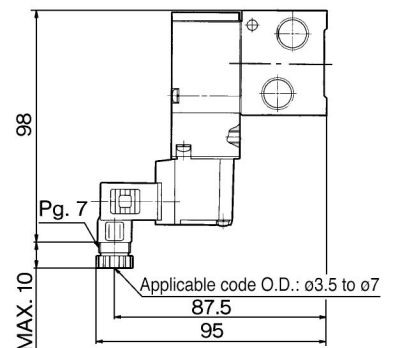
L plug connector (L)



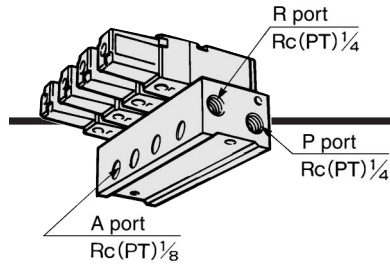
M plug connector (M)



DIN terminal (D)



□ : with indicator light and surge voltage suppressor



For Internal Pilot 41 Type Manifold: Side Ported

Grommet (G) (H)

How to Order

VV3Z5 - 41 - 05 1 - 01

Stations	
02	2 stations
⋮	⋮
20	20 stations

A port size	
01	Rc(PT) 1/8

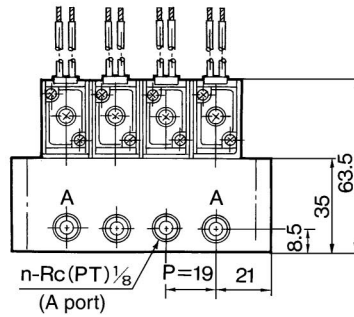
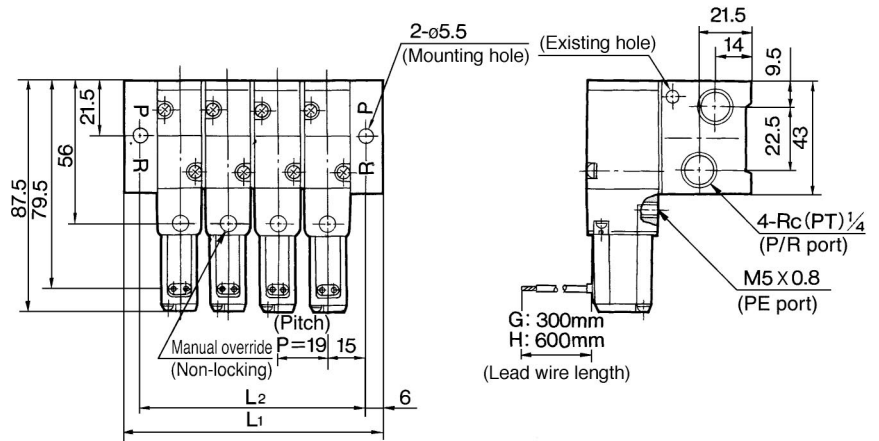
Note) If > 9 stations, supply air to P port on both sides of the manifold and exhaust from R port on both sides of the manifold.

Applicable solenoid valve

VZ514-□□□□
VZ514M-□□□□
VZ524-□□□□
VZ524M-□□□□

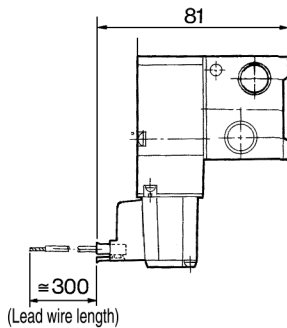
Applicable blank plate assembly

DXT201-15-1A

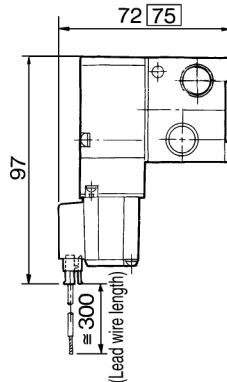


Station	2	3	4	5	6	7	8	9	10	11	12	13	14	15	16	17	18	19	20
L1	61	80	99	118	137	156	175	194	213	232	251	270	289	308	327	346	365	384	403
L2	49	68	87	106	125	144	163	182	201	220	239	258	277	296	315	334	353	372	391

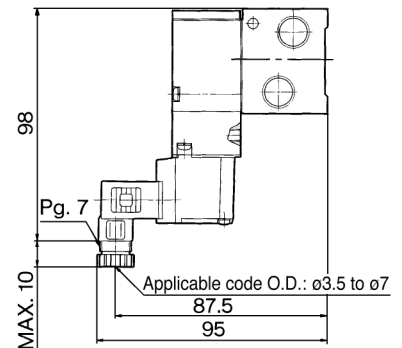
L plug connector (L)



M plug connector (M)



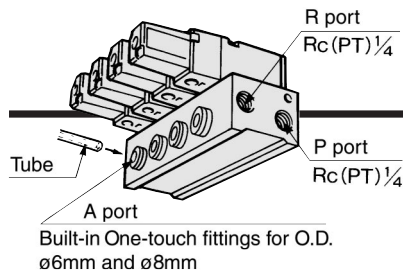
DIN terminal (D)



□: with indicator light and surge voltage suppressor

- SY
- SYJ
- VK
- VZ
- VT
- VT
- VP
- VG
- VP
- VQ
- VQZ
- VZ
- VS

VZ500



For Internal Pilot 41 Type Manifold: Side Ported

How to Order

VV3Z5 - 41 - 05 1 - C6

Stations

02	2 stations
⋮	⋮
20	20 stations

A port size

C6	$\phi 6$ One-touch fitting
C8	$\phi 8$ One-touch fitting

Note) If > 9 stations, supply air to P port on both sides of the manifold and exhaust from R port on both sides of the manifold.

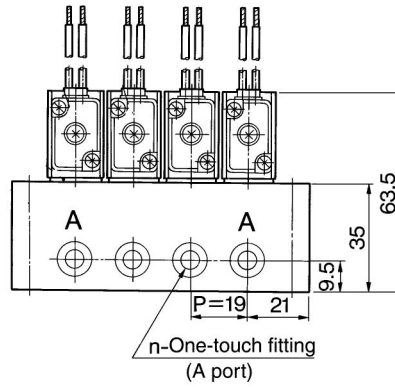
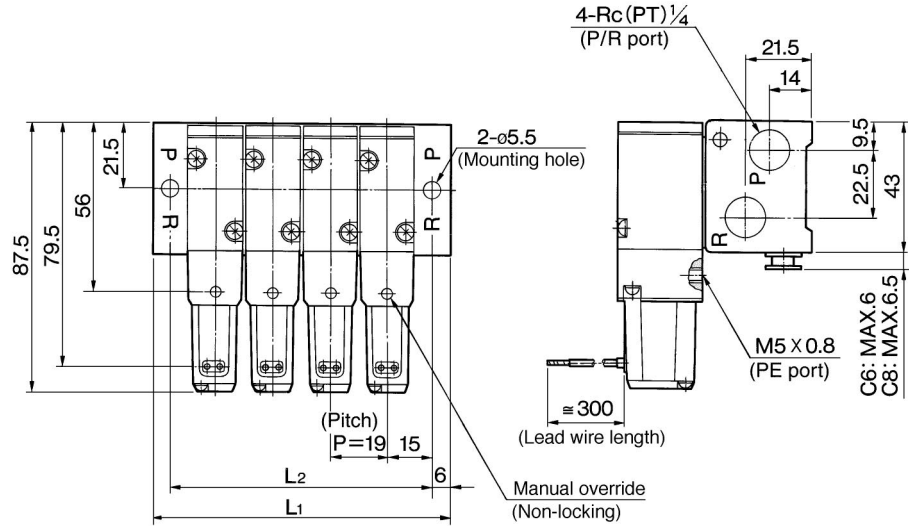
Applicable solenoid valve

- VZ514-□□□□
- VZ514M-□□□□
- VZ524-□□□□
- VZ524M-□□□□

Applicable blank plate assembly

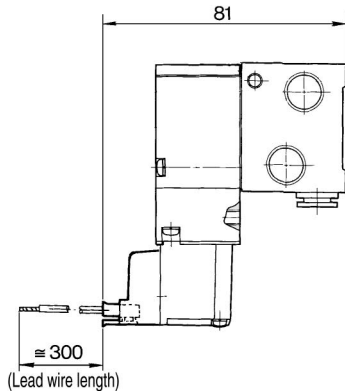
DXT201-15-1A

Grommet (G), (H)

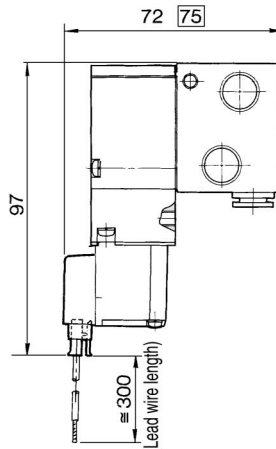


Station	2	3	4	5	6	7	8	9	10	11	12	13	14	15	16	17	18	19	20
L ₁	61	80	99	118	137	156	175	194	213	232	251	270	289	308	327	346	365	384	403
L ₂	49	68	87	106	125	144	163	182	201	220	239	258	277	296	315	334	353	372	391

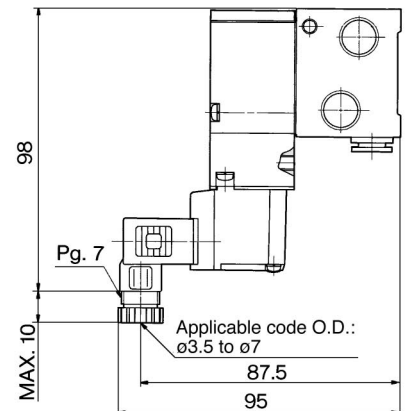
L plug connector (L)



M plug connector (M)

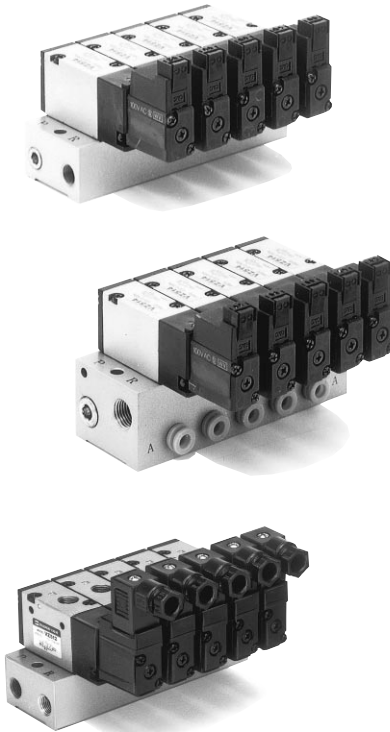


DIN terminal (D)



□: with indicator light and surge voltage suppressor

Series VZ500 Manifold



Manifold Specifications

Model	Internal pilot	20-□1	21-□1	40-□2	41-□2	41-□1
	External pilot	-	21R-□1	-	41R-□2	41R-□1
Manifold	Single base/B mount					
P(SUP)/R(EXH) style	Common SUP/Common EXH					
Stations	2 to 20 stations					
A port piping	Position	Valve	Valve	Base	Base	Base
	Direction	Top	Top	Bottom	Bottom	Side
Port size	P/R port	Rc(PT) 1/8	Rc(PT) 1/4	Rc(PT) 1/8	Rc(PT) 1/4	Rc(PT) 1/4
	A port	Rc(PT) 1/8	Rc(PT) 1/8	Rc(PT) 1/8	Rc(PT) 1/8	C6 (ø6 One-touch fitting) C8 (ø8 One-touch fitting)
	X port ⁽¹⁾	-	M5 X 0.8	-	M5 X 0.8	M5 X 0.8
Valve effective area mm ² (Cv) ⁽²⁾	Body ported VZ5□2/VZ5□2R	10.6(0.59)		-		
	Base mounted VZ5□4/VZ5□4R	-		10.2(0.57)	10.2(0.57)	1/8: 9.2(0.51) C6: 8.8(0.49) C8: 10(0.56)
Page on How to Order	Internal pilot	p.2.4-35	p.2.4-36	p.2.4-37	p.2.4-38	p.2.4-39, 2.4-40
	External pilot	-	p.2.4-41	-	p.2.4-42	p.2.4-43, 2.4-44



Note 1) Only for external pilot

Note 2) Value at manifold base mounted

How to Order Manifold Base

To order valves and blank plate assembly mounted onto the manifold, list valves and blank plate assembly with manifold base.

(Sample)

VV3Z5-20-0311 pc. (Manifold base)

VZ512-5LZ-012 pcs. (Valve)

DXT201-15-1A1 pc. (Blank plate ass'y)

VV3Z5-41R-031-01 ...1 pc. (Manifold base)

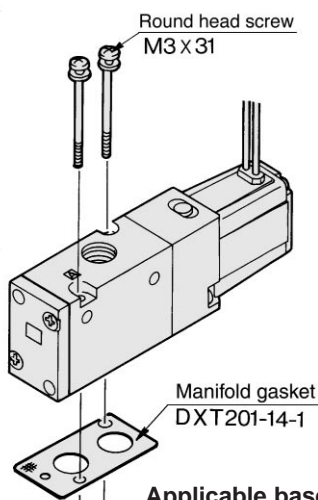
VZ514R-5G2 pcs. (Valve)

DXT201-15-1A1 pc. (Blank plate ass'y)

Option

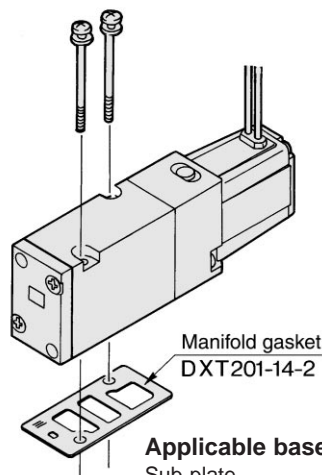
Combinations of solenoid valve, manifold gasket and manifold base

Body ported (VZ5□2)



Applicable base
VV3Z5-20-□1
VV3Z5-21-□1
VV3Z5-21R-□1 } Manifold base

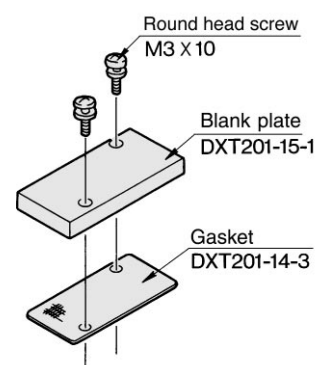
Base mounted (VZ5□4)

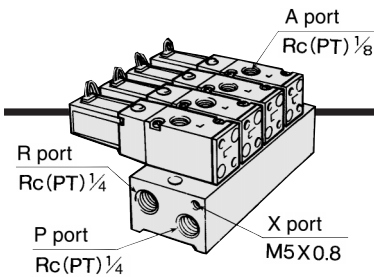


Applicable base
Sub-plate
VV3Z5-40-□2
VV3Z5-41-□2
VV3Z5-41-□1
VV3Z5-41R-□2
VV3Z5-41R-□1 } Manifold base

Blank plate Assembly

DXT201-15-1A





For External Pilot 21R Type Manifold: Top Ported

Grommet (G), (H)

How to Order

VV3Z5 - 21R - 05 1

Stations	
02	2 stations
⋮	⋮
20	20 stations

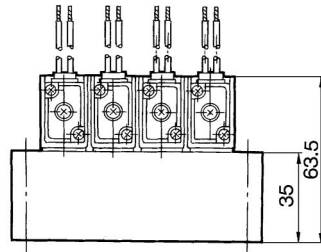
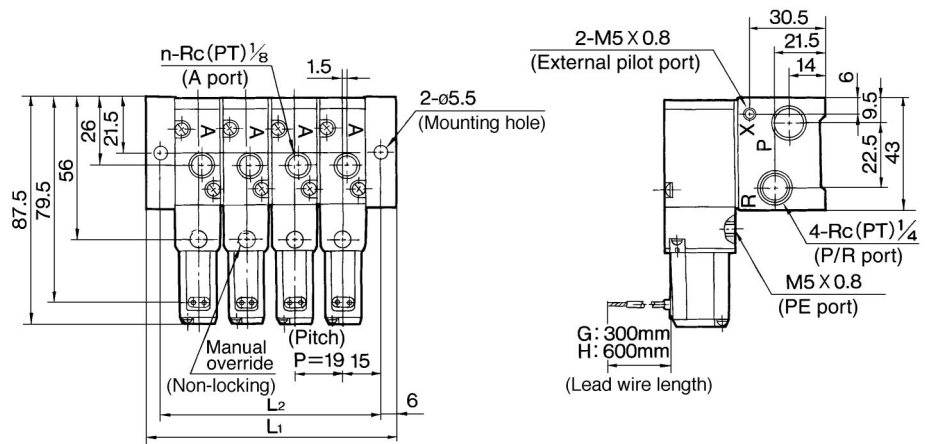
Note) If > 9 stations, supply and exhaust air through P port or R port on both sides of the manifold.

Applicable solenoid valve

VZ512R-□□□□
VZ522R-□□□□

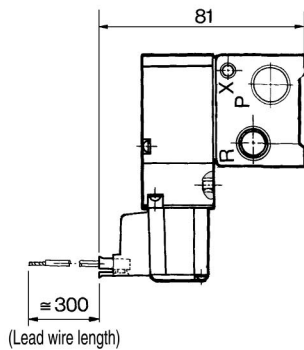
Applicable blank plate assembly

DXT201-15-1A

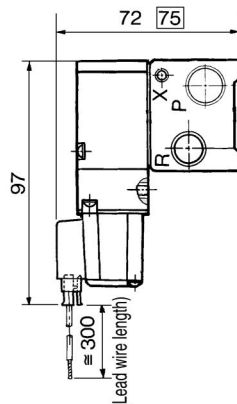


Station	2	3	4	5	6	7	8	9	10	11	12	13	14	15	16	17	18	19	20
L1	61	80	99	118	137	156	175	194	213	232	251	270	289	308	327	346	365	384	403
L2	49	68	87	106	125	144	163	182	201	220	239	258	277	296	315	334	353	372	391

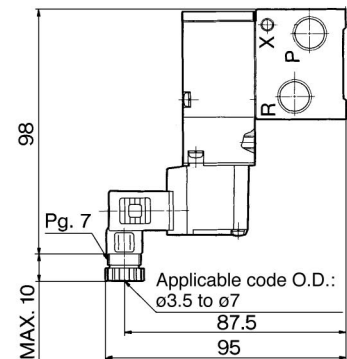
L plug connector (L)



M plug connector (M)



DIN terminal (D)

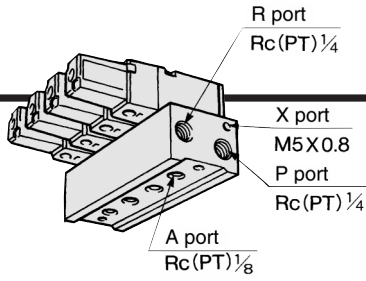


□: with indicator light and surge voltage suppressor

- SY
- SYJ
- VK
- VZ**
- VT
- VT
- VP
- VG
- VP
- VQ
- VQZ
- VZ
- VS

VZ500

For External Pilot 41R Type Manifold: Bottom Ported



Grommet (G), (H)

How to Order

VV3Z5 - 41R - 05 2 - 01

Stations

02	2 stations
⋮	⋮
20	20 stations

A port size

01	Rc(PT) 1/8
----	------------

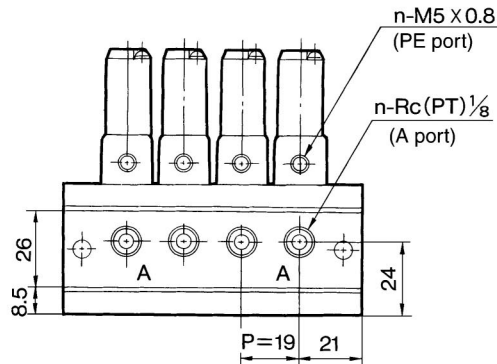
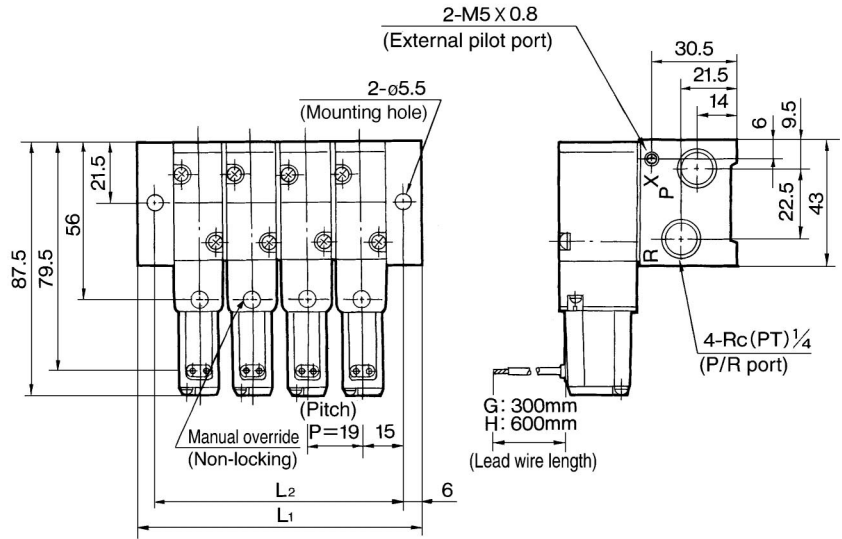
Note) If > 9 stations, supply and exhaust air through P port or R port on both sides of the manifold.

Applicable solenoid valve

VZ514R-□□□□
VZ524R-□□□□

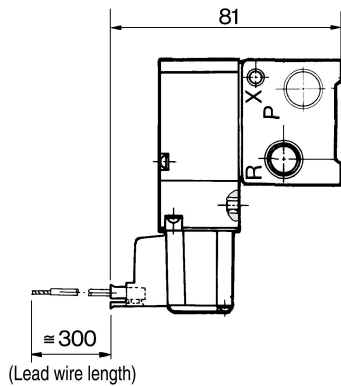
Applicable blank plate assembly

DXT201-15-1A

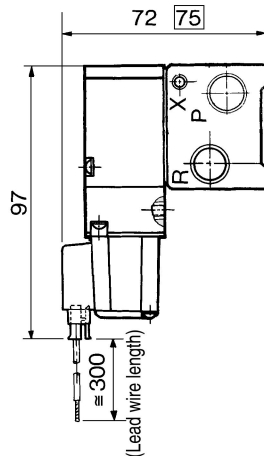


Station	2	3	4	5	6	7	8	9	10	11	12	13	14	15	16	17	18	19	20
L1	61	80	99	118	137	156	175	194	213	232	251	270	289	308	327	346	365	384	403
L2	49	68	87	106	125	144	163	182	201	220	239	258	277	296	315	334	353	372	391

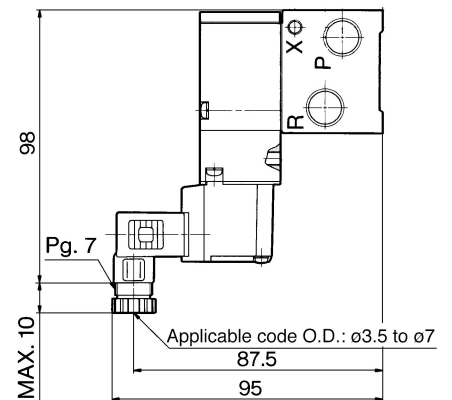
L plug connector (L)



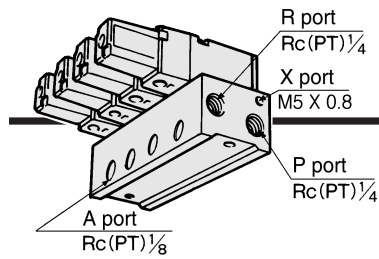
M plug connector (M)



DIN terminal (D)



□ : with indicator light and surge voltage suppressor



For External Pilot 41R Type Manifold: Side Ported

Grommet (G), (H)

How to Order

VV3Z5 - 41R - 05 1 - 01

Stations

02	2 stations
⋮	⋮
20	20 stations

A port size

01	Rc(PT) 1/8
----	------------

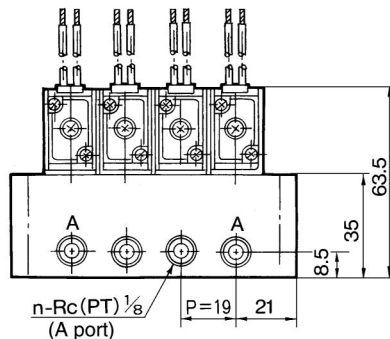
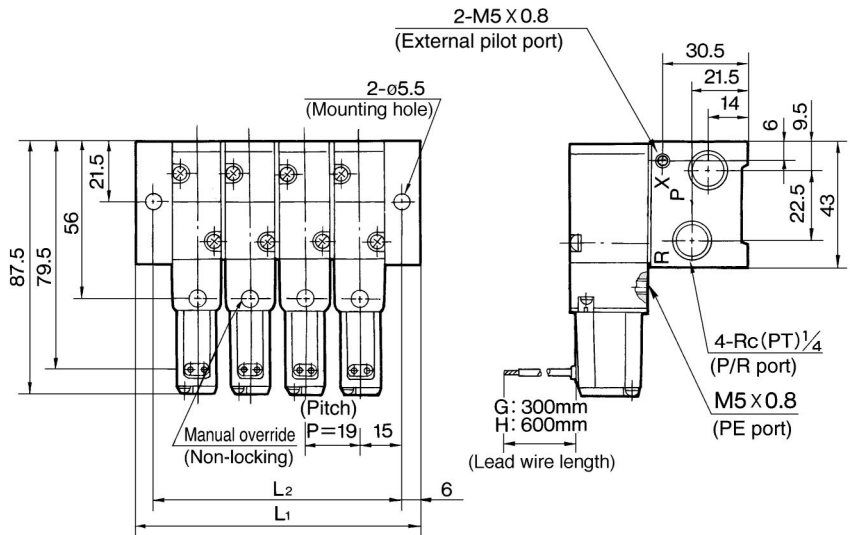
Note) If > 9 stations, supply and exhaust air through P port or R port on both sides of the manifold.

Applicable solenoid valve

VZ514R-□□□□
VZ524R-□□□□

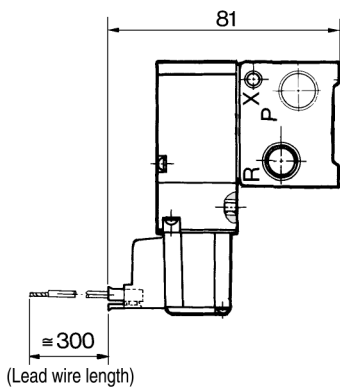
Applicable blank plate assembly

DXT201-15-1A

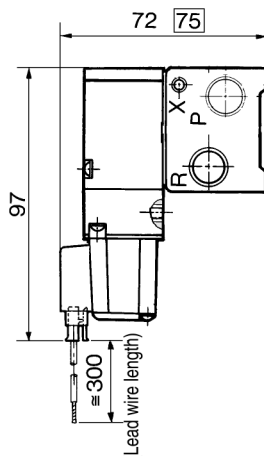


Station	2	3	4	5	6	7	8	9	10	11	12	13	14	15	16	17	18	19	20
L1	61	80	99	118	137	156	175	194	213	232	251	270	289	308	327	346	365	384	403
L2	49	68	87	106	125	144	163	182	201	220	239	258	277	296	315	334	353	372	391

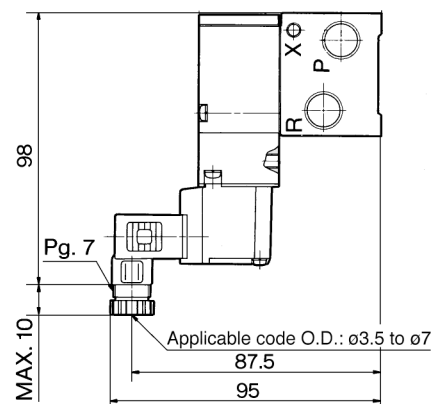
L plug connector (L)



M plug connector (M)



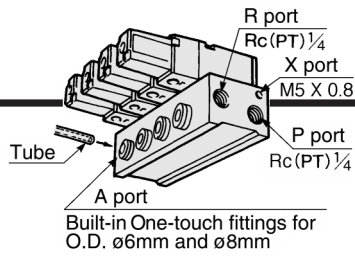
DIN terminal (D)



□ : with indicator light and surge voltage suppressor

- SY
- SYJ
- VK
- VZ**
- VT
- VT
- VP
- VG
- VP
- VQ
- VQZ
- VZ
- VS

VZ500



For External Pilot 41R Type Manifold: Side Ported

How to Order

VV3Z5 - 41R - 05 1 - C6

Stations

02	2 stations
⋮	⋮
20	20 stations

A port size

C6	ø6 One-touch fitting
C8	ø8 One-touch fitting

Note) If > 9 stations, supply and exhaust air through P port or R port on both sides of the manifold.

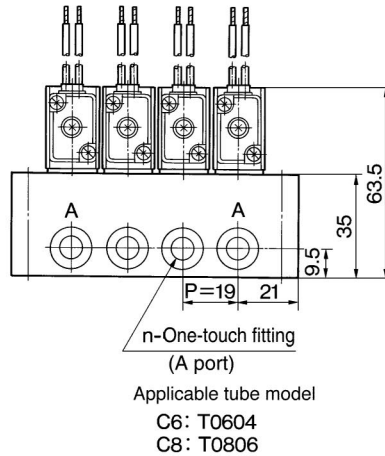
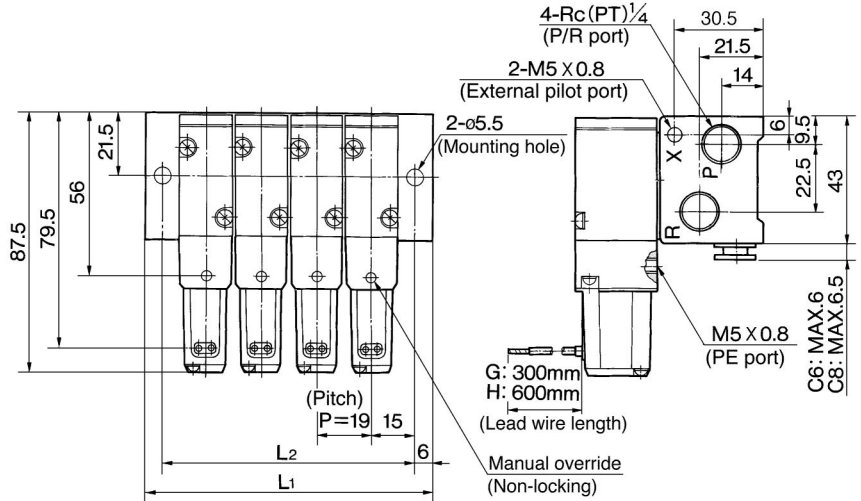
Applicable solenoid valve

VZ514R-□□□□
VZ524R-□□□□

Applicable blank plate assembly

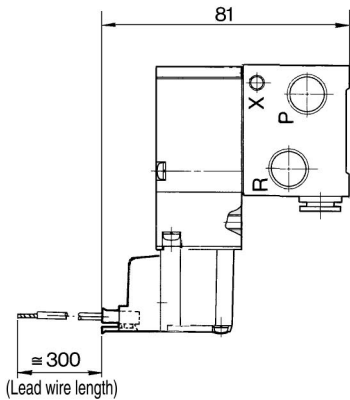
DXT201-15-1A

Grommet (G), (H)

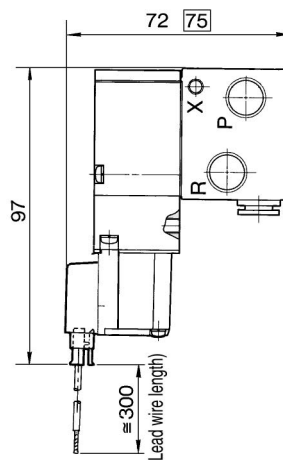


Station	2	3	4	5	6	7	8	9	10	11	12	13	14	15	16	17	18	19	20
L ₁	61	80	99	118	137	156	175	194	213	232	251	270	289	308	327	346	365	384	403
L ₂	49	68	87	106	125	144	163	182	201	220	239	258	277	296	315	334	353	372	391

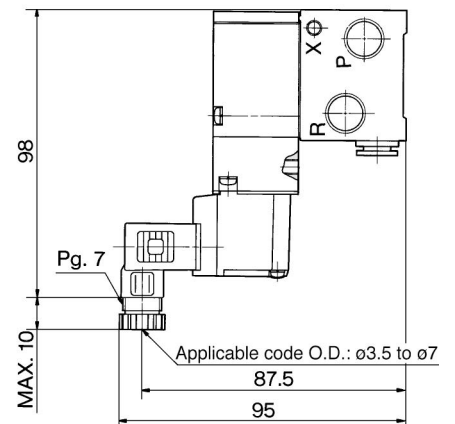
L plug connector (L)



M plug connector (M)



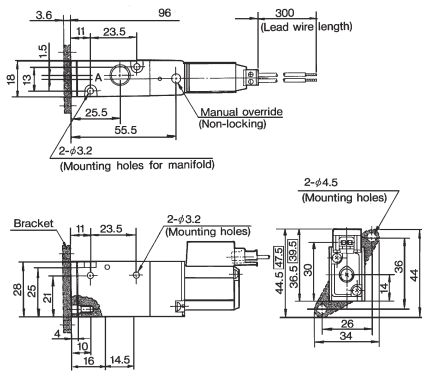
DIN terminal (D)



□ : with indicator light and surge voltage suppressor

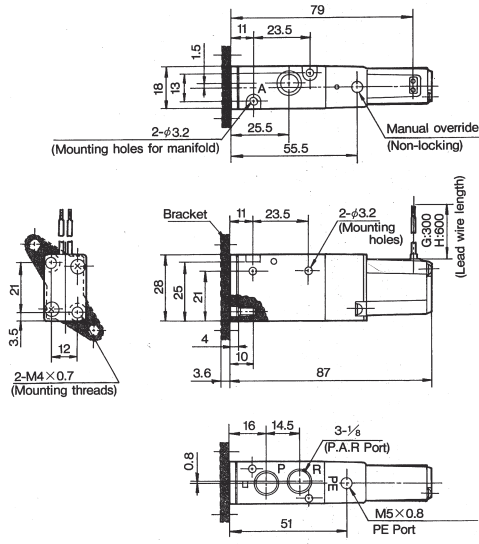
DIMENSIONS

SERIES (N)VZ500 BODY PORTED MN PLUG TYPE



DIMENSIONS

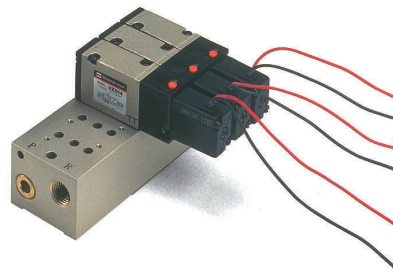
SERIES (N)VZ500 BODY PORTED GROMMET TYPE



SERIES (N)VZ500 MANIFOLDS

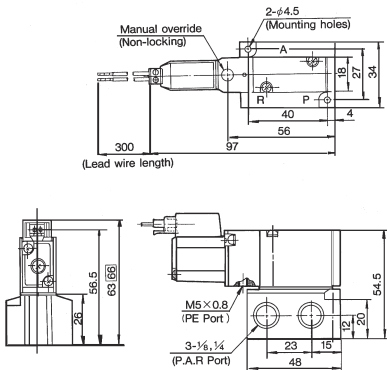
A Single Sub Base and 3 Different Manifold Design.

- (i) Side Entry Single Sub-base for use with the Base Mounted Valve (Type 40).
- (ii) 2-10 Station Type 21 Manifold for use with the Body Ported Valve (Type 20).
- (iii) 2-10 Station Type 41 Side Entry Manifold for use with the Base Mounted Valve (Type 40).
- (iv) 2 - 10 Station Type 41 Bottom Entry Manifold for use with the Base Mounted Valve (Type 40).



DIMENSIONS

SINGLE SUB-BASE SIDE PORTED TYPE M



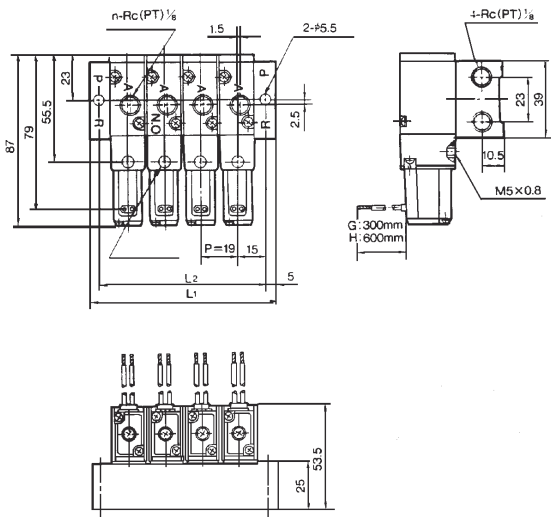
SEE INSIDE FRONT COVER FOR
DETAILS OF YOUR LOCAL SALES OFFICE



FOR FURTHER TECHNICAL
DETAILS ON THIS
PRODUCT, REQUEST
CATALOG REFERENCE
E120

DIMENSIONS

MANIFOLD TYPE 20 TOP PORTED GROMMET TYPE



Stations (n)	2	3	4	5	6	7	8	9	10
L ₁	59	78	97	116	135	154	173	192	211
L ₂	49	68	87	106	125	144	163	182	201

**How To
ORDER**

MANIFOLD TYPE 20 TOP PORTED

(N)VV3Z5 — 20 — 1 —

NUMBER OF STATIONS
02 ...2 Stations
to
20 ...20 Stations

THREAD TYPE
-PT
00T ...NPTF

FOR FURTHER TECHNICAL INFORMATION
ON THIS SERIES, REQUEST CAT:E120

ACCESSORIES

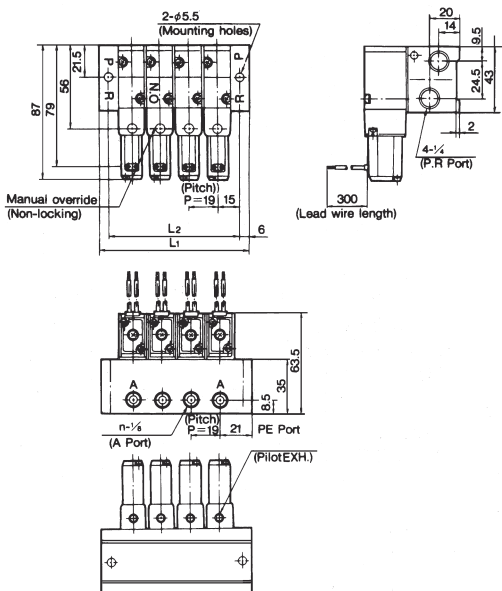
MANIFOLD TYPE 20 TOP PORTED

DXT201-15-1ABlanking Plate Kit

FOR FURTHER TECHNICAL INFORMATION
ON THIS SERIES, REQUEST CAT:E120

DIMENSIONS

MANIFOLD TYPE 41 SIDE PORTED GROMMET TYPE



Stations (n)	2	3	4	5	6	7	8	9	10
L ₁	61	80	99	118	137	156	175	194	213
L ₂	49	68	87	106	125	144	163	182	201

**How To
ORDER**

MANIFOLD TYPE 41 SIDE PORTED

(N)VV3Z5 — 41 — 1 — 01T

NUMBER OF STATIONS
02 ...2 stations
to
20 ...20 stations

SIZE OF A, B PORT

01T ...1/8" NPTF
B7T ...One Touch Fitting 1/4"
B9T ...One Touch Fitting 5/16"

ACCESSORIES

MANIFOLD TYPE 41 SIDE PORTED

DXT201-15-1ABlanking Plate Pit

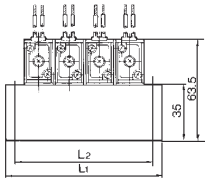
FOR FURTHER TECHNICAL INFORMATION
ON THIS SERIES, REQUEST CAT:E120



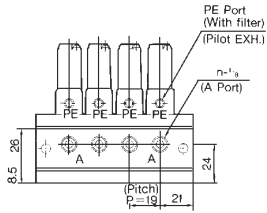
FOR FURTHER TECHNICAL
DETAILS ON THIS
PRODUCT, REQUEST
CATALOG REFERENCE
E120

DIMENSIONS

MANIFOLD TYPE 41 BOTTOM PORTED GROMMET TYPE



FOR ALL OTHER
DETAILS, REFER TO
TYPE 41 SIDE PORTED
MANIFOLD.



Stations (n)	2	3	4	5	6	7	8	9	10
L ₁	61	80	99	118	137	156	175	194	213
L ₂	49	68	87	106	125	144	163	182	201

HOW TO ORDER

MANIFOLD TYPE 41 BOTTOM PORTED

(N)VZ500-41-2-01T

NUMBER OF STATIONS

02 ...2 Stations
to
20 ...20 Stations

THREAD TYPE

-PT
TNPTF

ACCESSORIES

MANIFOLD TYPE 41 BOTTOM PORTED

DXT201-15-1ABlanking Plate Kit

FOR FURTHER TECHNICAL INFORMATION
ON THIS SERIES, REQUEST CAT:E120

