

# Series VQD1000

## How to Order Manifold

### Plug lead unit manifold



#### Manifold

2	Body ported
5	Base mounted

#### Valve station

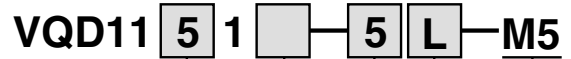
02	2 stations
⋮	⋮
20	20 stations (Max.)

#### Cylinder port (Base mounted only)

M5	M5 thread
C4	One-touch fitting for $\phi 4$

1(P), 3(R) port: Rc 1/8

## How to Order Valves



#### Body type

3	Body ported
5	Base mounted

#### Valve option

Nil	Standard (2W)
V	Vacuum (2 W)
U <sup>Note)</sup>	For large flow (3.2 W)
W <sup>Note)</sup>	For large flow, vacuum (3.2 W)

Note) Energy saving type

#### Rated voltage

5	24 VDC
6	12 VDC

Note) Please consult with SMC for other voltages.

#### Electrical entry

<b>L:</b> Plug lead type L plug connector, With lead wire With light/surge voltage suppressor	
<b>LO:</b> Plug lead type L plug connector, Without lead wire With light/surge voltage suppressor	
<b>M:</b> Plug lead type M plug connector, With lead wire With light/surge voltage suppressor	
<b>MO:</b> Plug lead type M plug connector, Without lead wire With light/surge voltage suppressor	

#### Port size (Body ported only)

M5	M5 thread
----	-----------

## How to Order Manifold Assembly

Specify the part numbers for valves and options together beneath the manifold base part number.

<Example>

Plug lead unit manifold

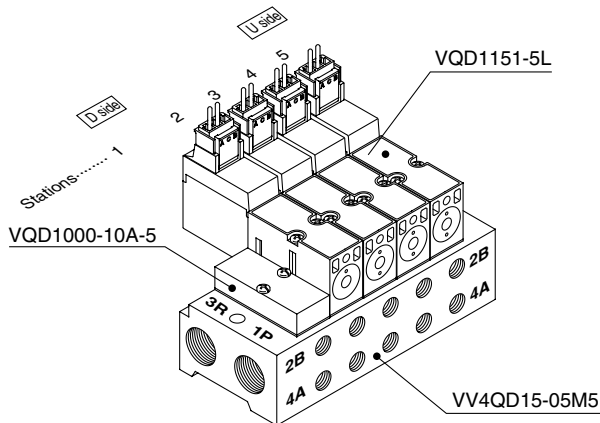
VV4QD15-05M5..... 1 set — Manifold base part no.

\*VVQD1000-10A-5..... 1 set — Blanking plate part no. (1st station)

\*VQD1151-5L..... 4 sets — Valve part no. (2 to 5th station)

Prefix the asterisk to the part nos. of the solenoid valve, etc.

Enter in order starting from the first station on the D side.

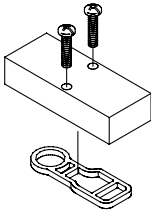


# 4 Port Direct Operated Poppet Solenoid Valve Series VQD1000

## Manifold Option

### Blanking plate assembly/Body ported

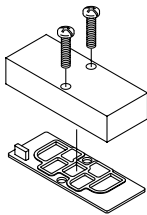
#### VVQD1000-10A-2



Blanking plate assembly includes 2 screws and gasket

### Blanking plate assembly/Base mounted

#### VVQD1000-10A-5

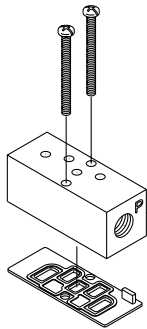


Blanking plate assembly includes 2 screws and gasket

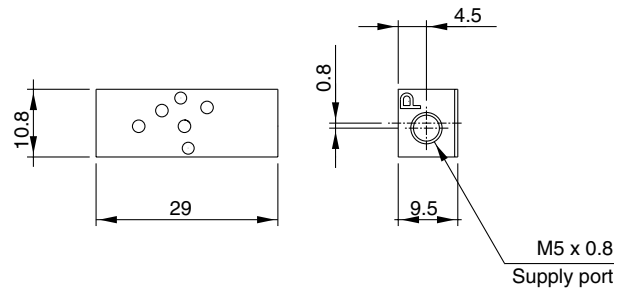
### Individual SUP spacer/Base mounted

#### VVQD1000-P-M5-5

Mount the individual SUP spacer on the manifold base, and thus making it possible to have supply port individually for each valve.



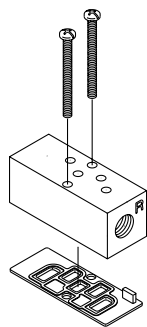
Individual SUP spacer with screw (2 pcs.) and gasket



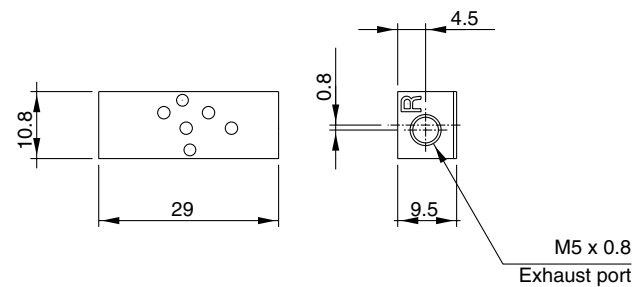
### Individual EXH spacer/Base mounted

#### VVQD1000-R-M5-5

Mount the individual EXH spacer on the manifold base, and thus making it possible to have supply port individually for each valve. (Common EXH type)



Individual EXH spacer with screw (2 pcs.) and gasket



VQC

SQ

VQ0

VQ4

VQ5

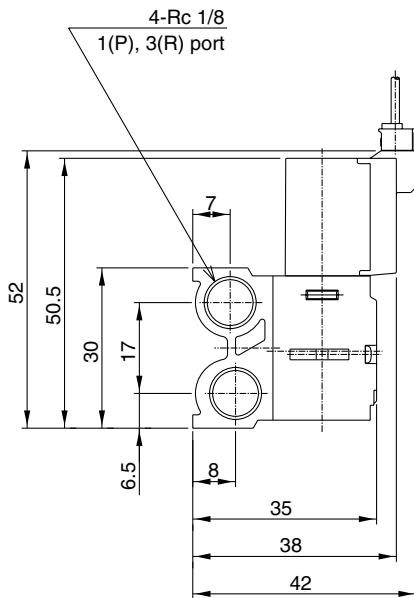
VQZ

VQD

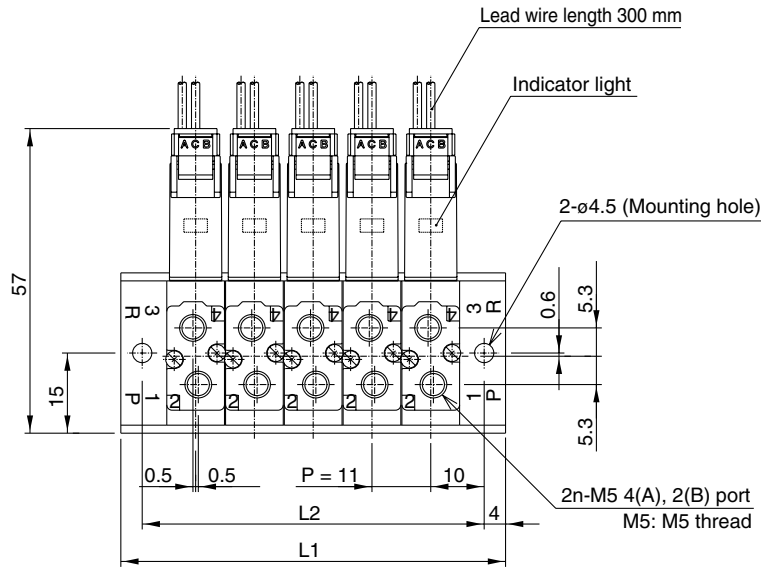
# Series VQD1000

## Dimensions

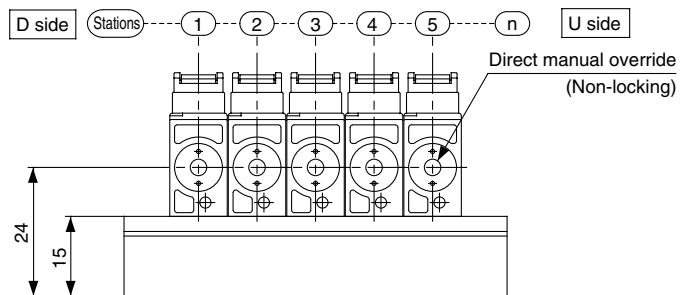
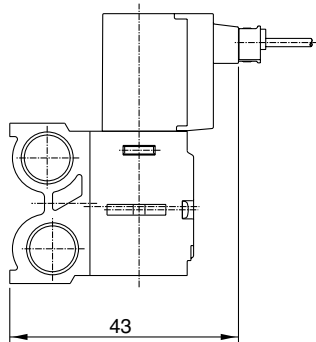
### Plug lead unit manifold (VV4QD12-□)



**M plug connector (M)**



**L plug connector (L)**



## Dimensions

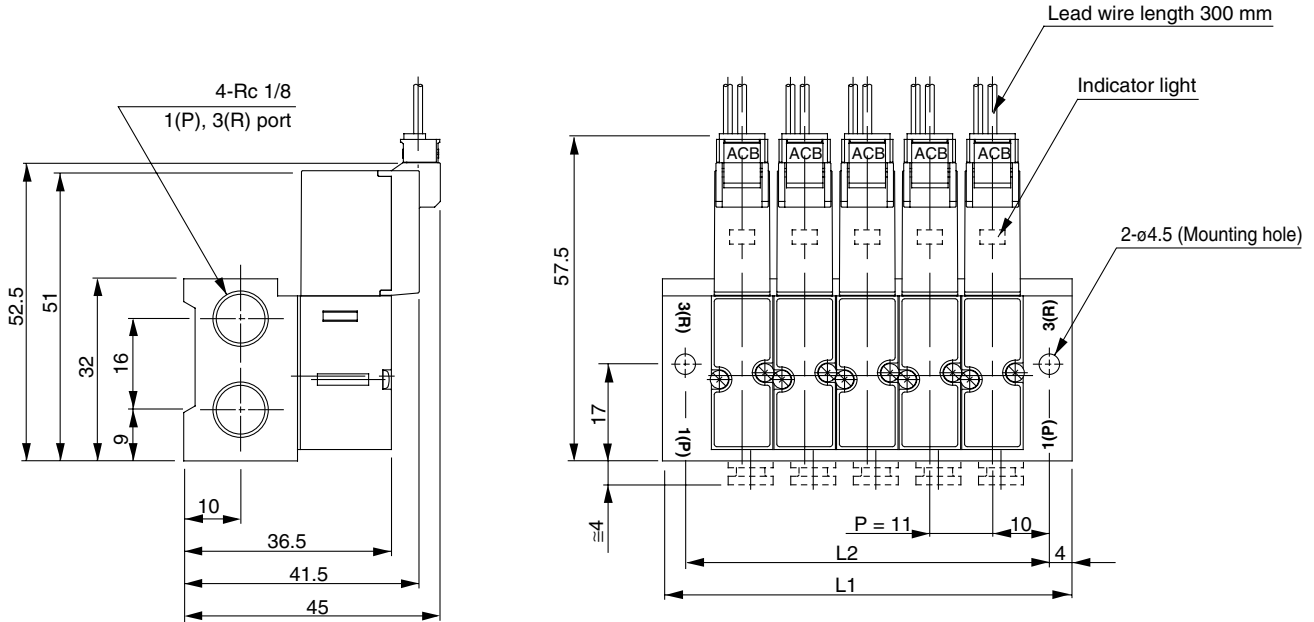
n: Stations

L \ n	1	2	3	4	5	6	7	8	9	10	11	12	13	14	15	16	17	18	19	20
L1	28	39	50	61	72	83	94	105	116	127	138	149	160	171	182	193	204	215	226	237
L2	20	31	42	53	64	75	86	97	108	119	130	141	152	163	174	185	196	207	218	229

# 4 Port Direct Operated Poppet Solenoid Valve Series VQD1000

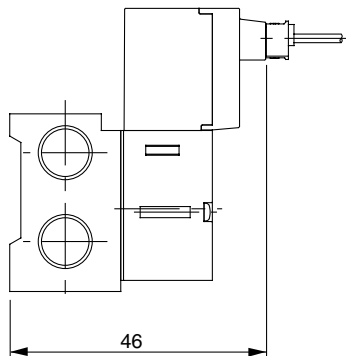
## Dimensions

### Plug lead manifold unit (VV4QD15-□□)

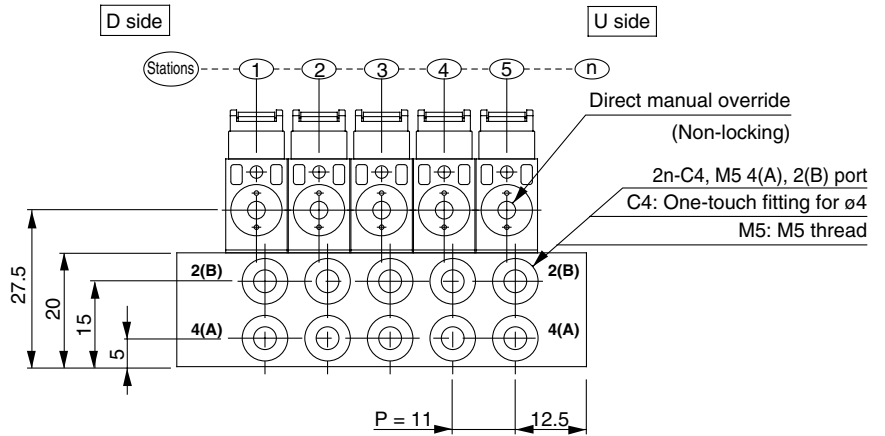


- VQC
- SQ
- VQ0
- VQ4
- VQ5
- VQZ
- VQD**

### M plug connector (M)



### L plug connector (L)



## Dimensions

n: Stations

L \ n	2	3	4	5	6	7	8	9	10	11	12	13	14	15	16	17	18	19	20
L1	39	50	61	72	83	94	105	116	127	138	149	160	171	182	193	204	215	226	237
L2	31	42	53	64	75	86	97	108	119	130	141	152	163	174	185	196	207	218	229