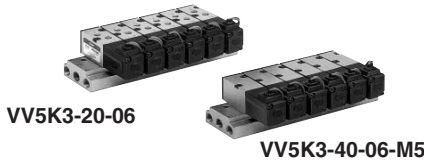


Series VK3000 Manifold Specifications

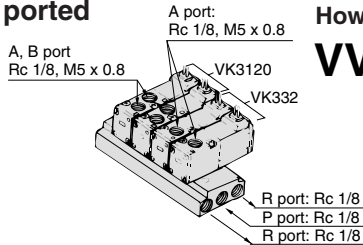


Specifications

Valve stations		1 to 20
Piping method	Common SUP, Common EXH	Body ported, Base mounted
	Common SUP, Individual EXH	Body ported

Common SUP/Common EXH

Type 20: Body ported (A, B port top ported)



How to Order

VV5K3-20-05

Valve stations	
01	1 station
⋮	⋮
20	20 stations

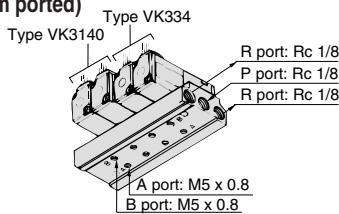
Thread type

Nil	Rc
00F	G
00N	NPT
00T	NPTF

Applicable solenoid valve
VK3120□-□□□-M5
VK3120□-□□□-01
VK332□-□□□-M5
VK332□-□□□-01

Applicable blanking
plate assembly
VK3000-7-1A

Type 40: Base mounted (A, B port bottom ported)



How to Order

VV5K3-40-05-M5

Valve stations	
01	1 station
⋮	⋮
20	20 stations

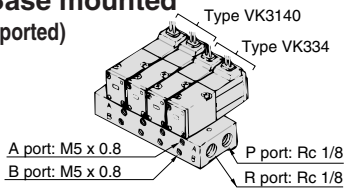
Thread type

Nil	Rc
F	G
N	NPT
T	NPTF

Applicable solenoid valve
VK3140□-□□□
VK334□-□□□

Applicable blanking
plate assembly
VK3000-7-1A

Type 41: Base mounted (A, B port side ported)



How to Order

VV5K3-41-05-M5

Solenoid direction

Nil	Solenoid on same side of A and B port
S	Solenoid on same side of A and B port

Valve stations

01	1 station
⋮	⋮
20	20 stations

Port size

M5	M5 x 0.8
C4	ø4 cassette

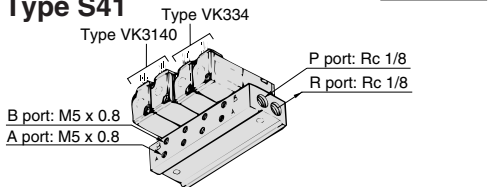
Thread type

Nil	Rc
F	G
N	NPT
T	NPTF

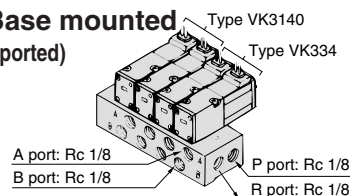
Applicable solenoid valve
VK3140□-□□□
VK334□-□□□

Applicable blanking
plate assembly
VK3000-7-1A

Type S41



Type 42: Base mounted (A, B port side ported)



How to Order

VV5K3-42-05-01

Solenoid direction

Nil	Solenoid on same side of A and B port
S	Solenoid on same side of A and B port

Valve stations

01	1 station
⋮	⋮
20	20 stations

Port size

01	Rc 1/8
C6	ø6 cassette

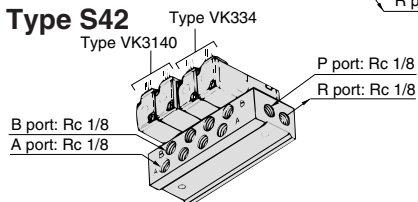
Thread type

Nil	Rc
F	G
N	NPT
T	NPTF

Applicable solenoid valve
VK3140□-□□□
VK334□-□□□

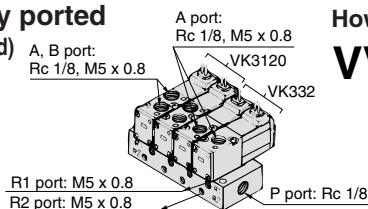
Applicable blanking
plate assembly
VK3000-7-1A

Type S42



Common SUP/Individual EXH

Type 21: Body ported (A, B port top ported)



How to Order

VV5K3-21-05

Valve stations	
01	1 station
⋮	⋮
20	20 stations

Thread type

Nil	Rc
F	G
N	NPT
T	NPTF

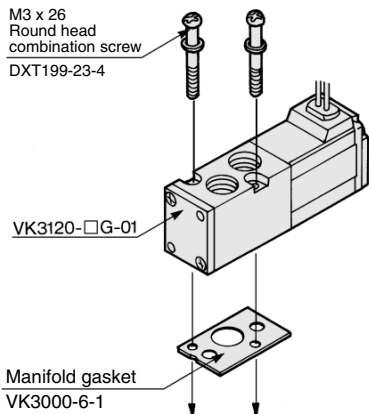
Applicable solenoid valve
VK3120□-□□□-M5
VK3120□-□□□-01
VK332□-□□□-M5
VK332□-□□□-01

Applicable blanking
plate assembly
VK3000-7-1A

Series VK3000

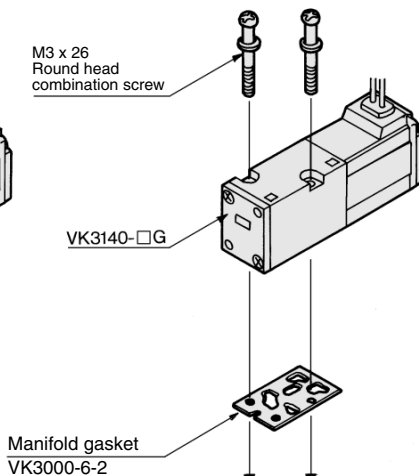
Combinations of Solenoid Valve, Manifold Gasket and Manifold Base

5 port body ported: VK3120



Applicable base
Type VV5K3-20 } Manifold base
Type VV5K3-21 }

5 port base mounted: VK3140



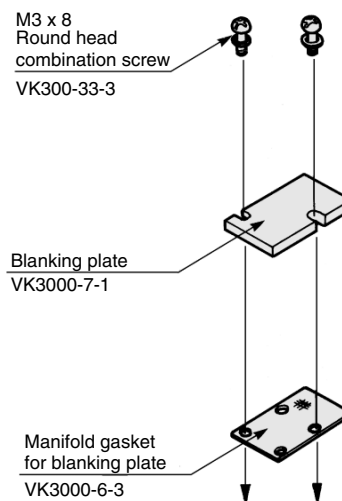
Applicable base
VK3000-9-1 Sub-plate } Manifold base
Type VV5K3-40 }
Type VV5K3-(S)41 }
Type VV5K3-(S)42 }

	Body ported	Base mounted
Manifold gasket	VK3000-6-1A	VK3000-6-2A
Screw assembly		

Caution Mounting Screw Tightening Torques
M3: 0.6 N·m

Combination of Blanking Plate Assembly and Manifold Base

Blanking plate assembly: VK3000-7-1A

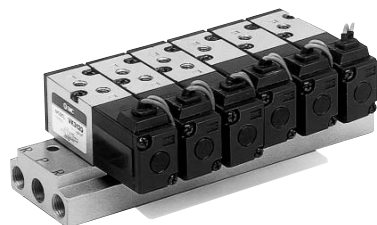


Applicable base: In common for all types of VV5K3 models

Caution Mounting Screw Tightening Torques
M3: 0.6 N·m

Note) Mounting direction is not flexible. Make sure to mount them in the right direction.

Mixed Mounting of VK300 and Manifold Base of Series VK3000



1. In the case of VV5K3-20/40

When installing the 3 port valve on the manifold base, plug the "R" port at the corresponding mark side with the rubber plug (VK3000-8-1) as shown in the figures on the right.

2. Other manifold

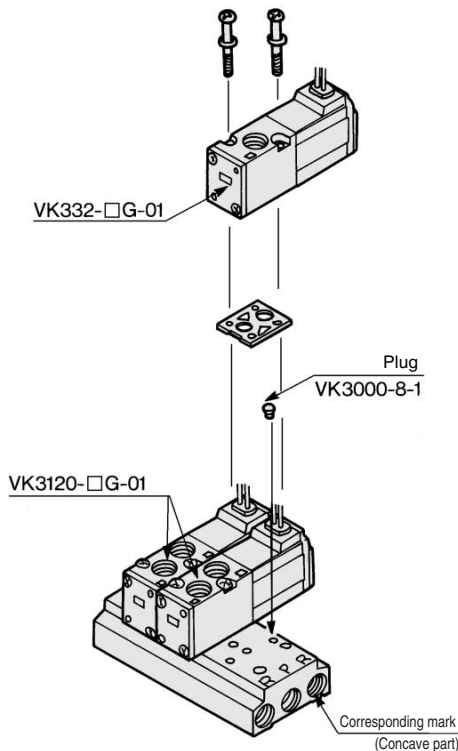
3 port valve except VV5K3-20 and 40 types can be mounted without any work.

Note 1) Remove the plug if changing the 3 port valve to a 5 port valve.

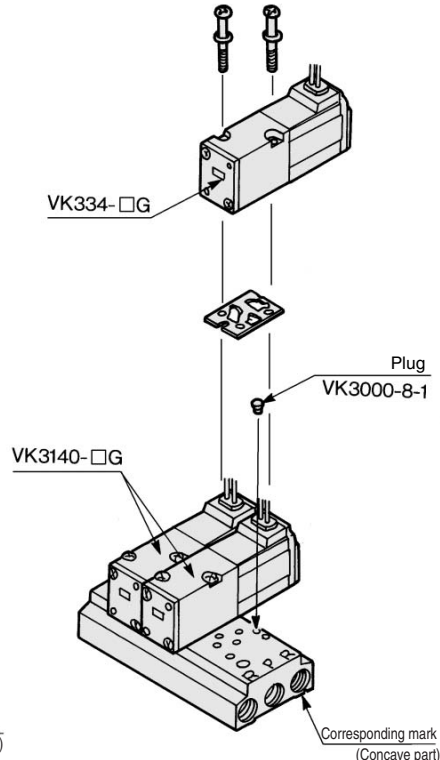
Note 2) In case a 3 port valve VK300 is mounted on the manifold base for a 5 port valve VK3000, switching type is normally closed (N.C.). If requiring a normally open type (N.O.), plug the "A" port on the 5 port valve.

Note 3) "A" port of a 3 port valve for base mounted type becomes "A" port of a 5 port valve. Plug that "A" port to avoid mistaking "B" port for the "A" port.

Type VV5K3-20



Type VV5K3-40

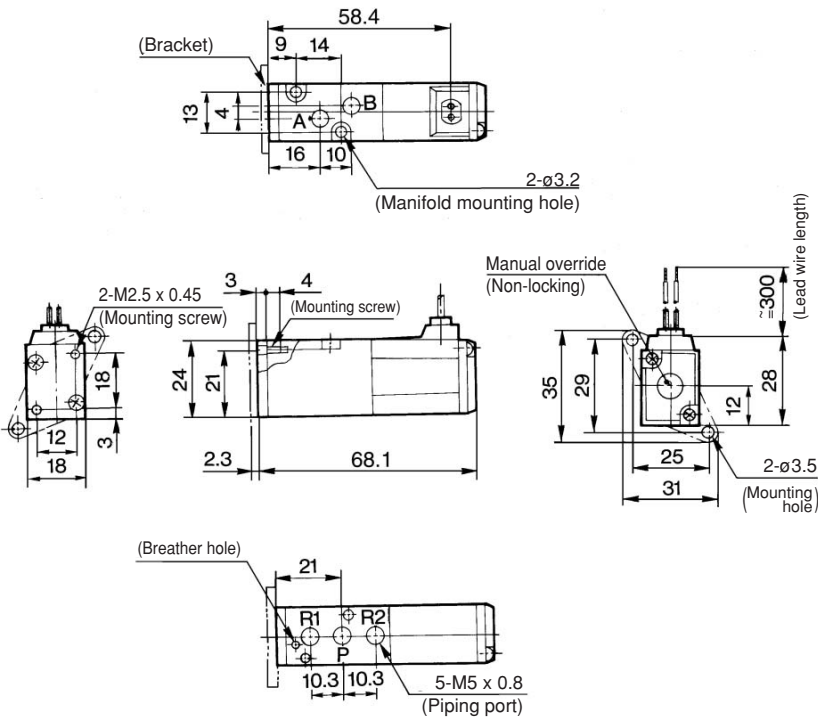


Caution Mounting Screw Tightening Torques
M3: 0.6 N·m

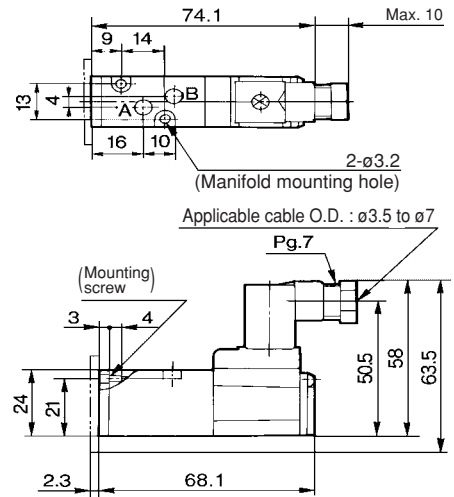
5 Port Direct Operated Poppet Solenoid Valve Rubber Seal Series VK3000

Dimensions: Body Ported

Grommet: VK3120-□G-M5
Port size: M5

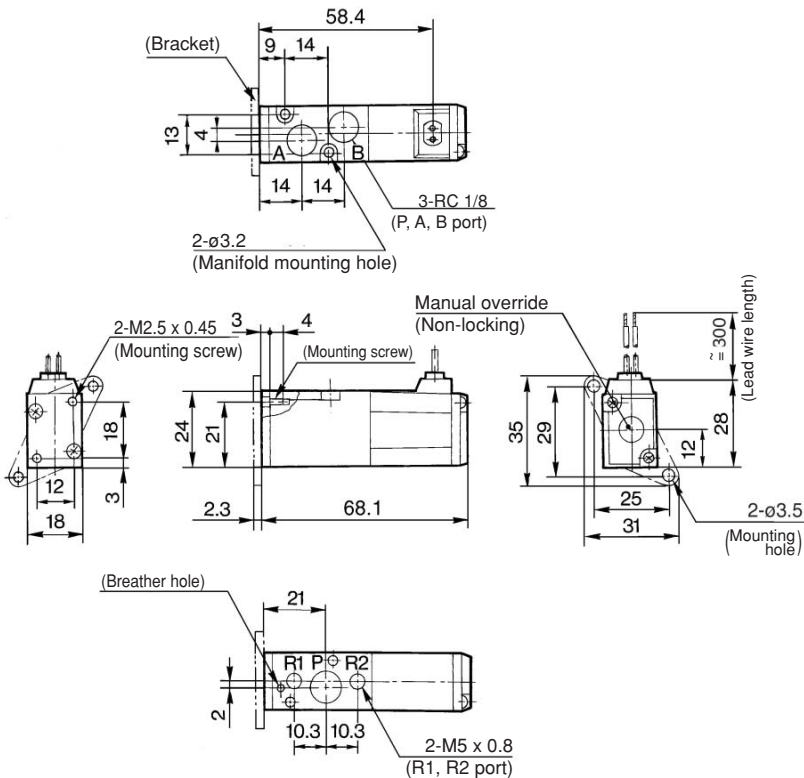


DIN terminal: VK3120-□D-M5

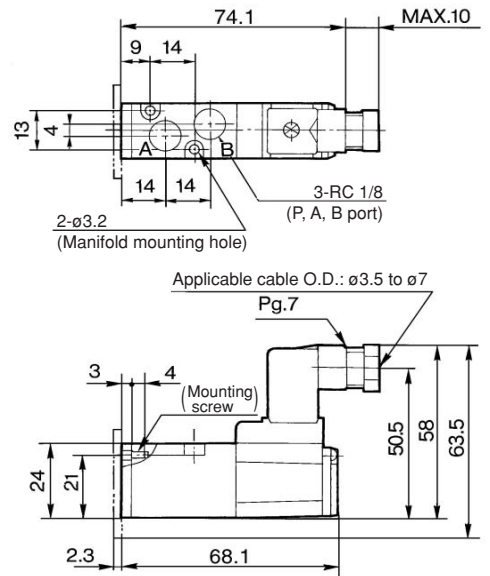


Refer to grommet type for other dimensions.

Grommet: VK3120-□G-01
Port size: Rc 1/8



DIN terminal: VK3120-□D-01



Refer to grommet type for other dimensions.

VK

VZ

VF

VFR

VP4

VZS

VFS

VS4

VQ7

EVS

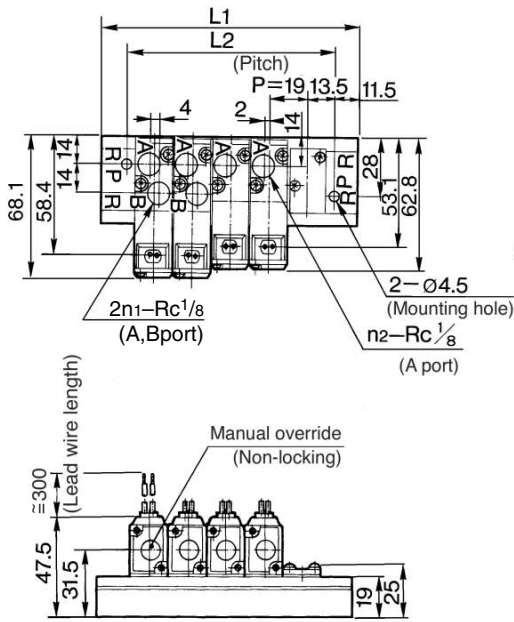
VFN

5 Port Direct Operated Poppet Solenoid Valve Rubber Seal Series **VK3000**

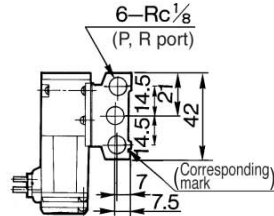
Type 20 Manifold Body ported (Top ported)

VV5K3-20- Station

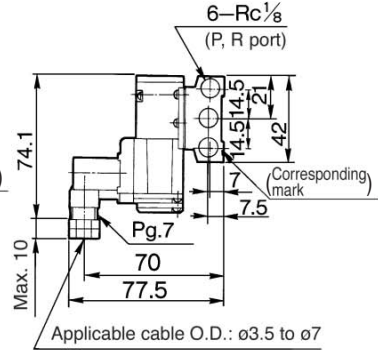
n1 = Number of VK3000
n2 = Number of VK300



Grommet: G



DIN terminal: D



L Dimension

n: Stations

L \ n	1	2	3	4	5	6	7	8	9	10	11	12	13	14	15	16	17	18	19	20
L ₁	50	69	88	107	126	145	164	183	202	221	240	259	278	297	316	335	354	373	392	411
L ₂	27	46	65	84	103	122	141	160	179	198	217	236	255	274	293	312	331	350	369	388

VK

VZ

VF

VFR

VP4

VZS

VFS

VS4

VQ7

EVS

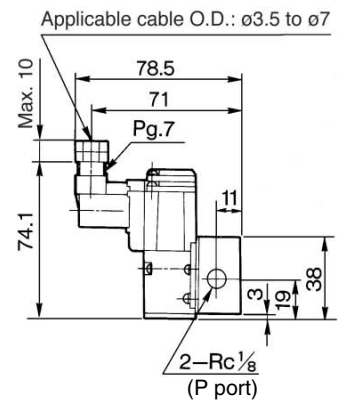
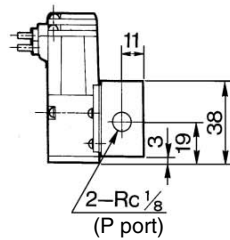
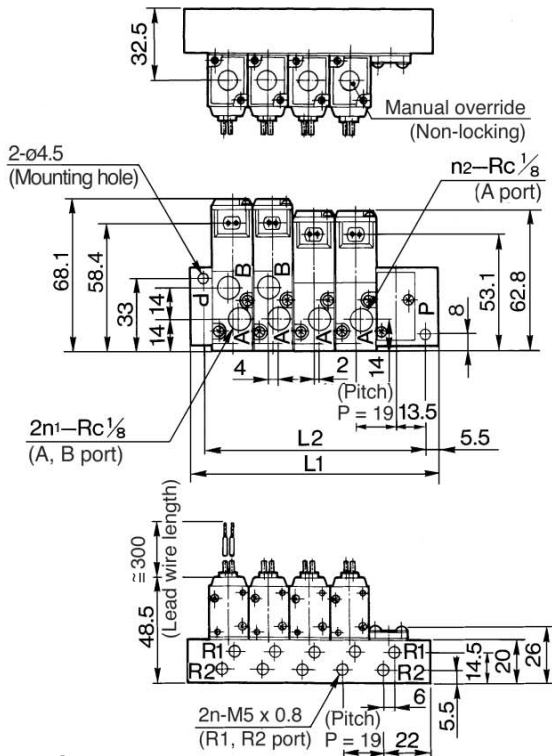
VFN

Type 21 Manifold Body ported (Top ported)

VV5K3-21- Station

Grommet: G

DIN terminal: D



n1 = Number of VK3000
n2 = Number of VK300

L Dimension

n: Stations

L \ n	1	2	3	4	5	6	7	8	9	10	11	12	13	14	15	16	17	18	19	20
L ₁	38	57	76	95	114	133	152	171	190	209	228	247	266	285	304	323	342	361	380	399
L ₂	27	46	65	84	103	122	141	160	179	198	217	236	255	274	293	312	331	350	369	388