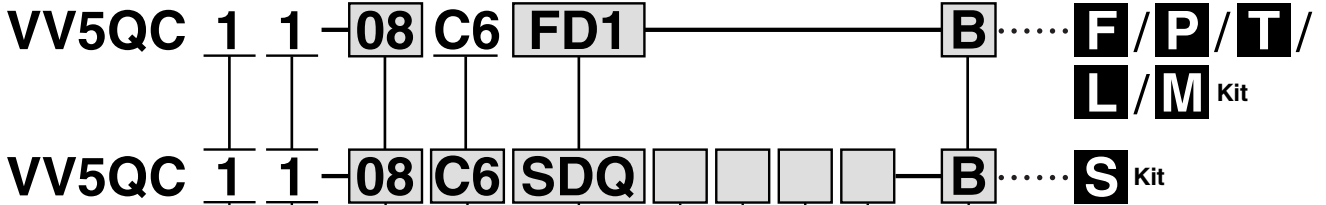


# Series VQC1000

## Base Mounted Plug-in Unit

### How to Order Manifold



**Series**

1	VQC1000
---	---------

**Manifold model**

1	Plug-in unit
---	--------------

**Stations**

01	1 station
⋮	⋮

The maximum number of stations differs depending on the electrical entry.

**Cylinder port size**

C3	With ø3.2 One-touch fitting
C4	With ø4 One-touch fitting
C6	With ø6 One-touch fitting
M5	M5 thread
CM	Mixed sizes and with port plug
L3	Top ported elbow With ø3.2 One-touch fitting
L4	Top ported elbow With ø4 One-touch fitting
L6	Top ported elbow With ø6 One-touch fitting
L5	M5 thread
B3	Bottom ported elbow With ø3.2 One-touch fitting
B4	Bottom ported elbow With ø4 One-touch fitting
B6	Bottom ported elbow With ø6 One-touch fitting
B5	M5 thread
LM	Elbow port, mixed sizes

Note 1) Indicate the size in the specification sheet in the case of "CM" and "LM".

Note 2) Symbols for inch sizes areas follows:  
**<For One-touch fittings>**

- N1: ø1/8"
- N3: ø5/32"
- N7: ø1/4"
- NM: Mixed

The top ported elbow is LN□ and the bottom ported elbow is BN□.

**Kit designation/Electrical entry/Cable length**  
 (Refer to page 2-2-12 for detailed information on kits.)

**Option**

Nil	None
B	All stations with back pressure check valve <sup>Note 1)</sup>
D	With DIN rail (Rail length: Standard)
D□	With DIN rail (Rail length: Special) <sup>Note 2)</sup>
K	Special wiring specifications <sup>Note 3)</sup> (Except double wiring)
N	With name plate
R	External pilot <sup>Note 4)</sup>
S	Direct exhaust with built-in silencer <sup>Note 5)</sup>

\* When specifying more than one option, enter symbols in alphabetical order.  
 Example: -BRS

Note 1) When using the back pressure check valve for the necessary stations only, enter the back pressure check valve part no. and indicate the number of manifold stations on the specification sheet.

Note 2) For special DIN rail length, indicate "D□". (Enter the number of stations inside □.)

Example: -D08

In this case, stations will be mounted on a DIN rail for 8 stations regardless of the actual number of manifold stations.

The specified number of stations must be larger than the number of stations on the manifold.

Indicate "-D0" for the option without DIN rail.

Note 3) Be sure to indicate the wiring specifications on the specification sheet.

Note 4) For external pilot option, "-R", indicate the external pilot specification "R" for the applicable valves as well.

Note 5) The built-in silencer type does not satisfy the IP67 standard.

**Input block COM.**  
 (Fill out for I/O unit only)

Nil	PNP (+) or without SI unit/input block
N	NPN (-)

**Input block type**  
 (Fill out for I/O unit only)

Nil	Without input block
1	M12, 2 inputs
2	M12, 4 inputs
3	M8, 4 inputs (3 pins)

**Number of input blocks**  
 (Fill out for I/O unit only)

Nil	Without SI unit/input block
0	Without input block
1	With 1 input block
⋮	⋮
8	With 8 input blocks

**SI unit COM**

SI unit COM	EX250					EX500				EX126
	DeviceNet	PROFIBUS-DP	CC-LINK	AS-i	CANopen	DeviceNet	PROFIBUS-DP	CC-LINK	Remote I/O	CC-LINK
Nil +COM	—	—	○	—	—	○	○	○	○	○
N -COM	○	○	—	○	○	○	○	○	○	—

Note) Leave the box blank for the SI unit COM without SI unit (SD0).

- VQC
- SQ
- VQ0
- VQ4
- VQ5
- VQZ
- VQD

## How to Order Valves

**VQC 1 1 0 0** **5**

**Series**  
1 VQC1000

**Type of actuation**

<b>1</b>	2 position single (A)(B) 4 2 5 1 3 (R1)(P)(R2)	<b>A</b> Note)	4 position dual 3 port valve (A) (A) (B) 4 2 5 1 3 (R1) 1 (R2) N.C (P) N.C
<b>2</b>	2 position double (metal) (A)(B) 4 2 5 1 3 (R1)(P)(R2)	<b>B</b> Note)	4 position dual 3 port valve (B) (A) (B) 4 2 5 1 3 (R1) 1 (R2) N.O (P) N.O
	2 position double (rubber) (A)(B) 4 2 5 1 3 (R1)(P)(R2)		<b>C</b> Note)
<b>3</b>	3 position closed center (A)(B) 4 2 5 1 3 (R1)(P)(R2)	Note) For rubber seal type only.	4 position dual 3 port valve (C) (A) (B) 4 2 5 1 3 (R1) 1 (R2) N.C (P) N.O
	3 position exhaust center (A)(B) 4 2 5 1 3 (R1)(P)(R2)		
	3 position pressure center (A)(B) 4 2 5 1 3 (R1)(P)(R2)		

**Seal type**

<b>0</b>	Metal seal
<b>1</b>	Rubber seal

**Light/Surge voltage suppressor**

<b>Nil</b>	With
<b>E</b>	Without Note)

Note) Not applicable to S kit.

**Coil voltage**

<b>5</b>	24 VDC Note)
<b>6</b>	12 VDC

Note) S kit is only available for 24 VDC.

**Function**

<b>Nil</b>	Standard type (1 W)
<b>K</b> Note 1)	High pressure type (1.0 MPa)
<b>N</b>	Negative COM
<b>R</b> Note 2)	External pilot
<b>Y</b>	Low wattage type (0.5 W)

\* When specifying more than one option, enter symbols in alphabetical order.  
Note 1) For metal seal type only.  
Note 2) Not applicable for dual 3 port valve.

**Manual override**

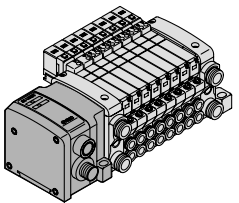
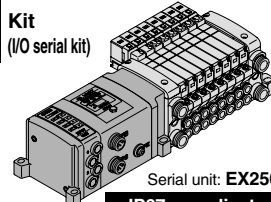
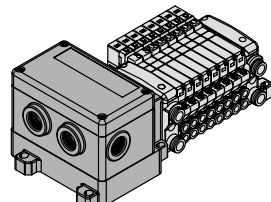
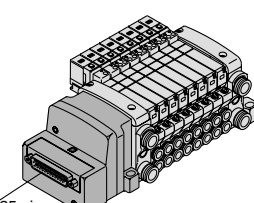
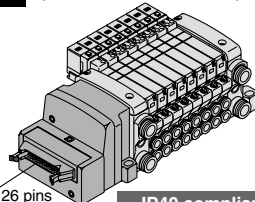
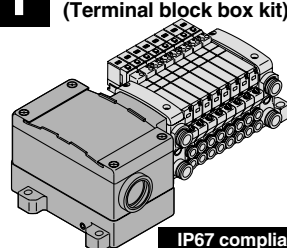
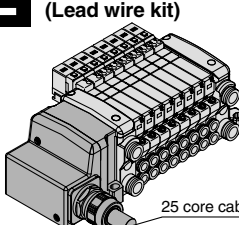
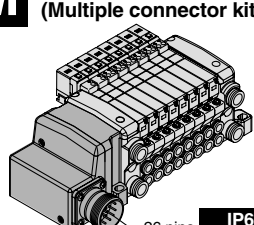
**Nil:** Non-locking push type (Slotted)

**B:** Locking type (Slotted)

**C:** Locking type (Manual)

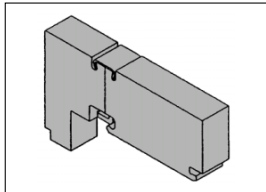
**D:** Slide locking type (Manual)

### Kit Designation/Electrical Entry/Cable Length

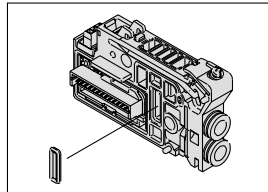
<p><b>S</b> Kit (Decentralized wiring type serial kit)</p>  <p>Serial unit: <b>EX500</b> IP67 compliant</p> <p>Note) A separate gateway unit and communication cable are required.</p> <table border="1"> <tr> <td><b>SD0</b> Serial kit without SI unit</td> <td>1 to 8 stations (16 stations)</td> </tr> <tr> <td><b>SDA1</b> Serial kit for Remote I/O</td> <td>1 to 8 stations (16 stations)</td> </tr> <tr> <td><b>SDA2</b> Serial kit for DeviceNet/PROFIBUS-DP/CC-LINK</td> <td>1 to 8 stations (16 stations)</td> </tr> </table>	<b>SD0</b> Serial kit without SI unit	1 to 8 stations (16 stations)	<b>SDA1</b> Serial kit for Remote I/O	1 to 8 stations (16 stations)	<b>SDA2</b> Serial kit for DeviceNet/PROFIBUS-DP/CC-LINK	1 to 8 stations (16 stations)	<p><b>S</b> Kit (I/O serial kit)</p>  <p>Serial unit: <b>EX250</b> IP67 compliant</p> <table border="1"> <tr> <td><b>SD0</b> Serial kit without SI unit</td> <td>1 to 4 stations (8 stations)</td> </tr> <tr> <td><b>SDY</b> Serial kit for CANopen</td> <td>1 to 2 stations (4 stations)</td> </tr> <tr> <td><b>SDQ</b> Serial kit for DeviceNet</td> <td>1 to 12 stations (24 stations)</td> </tr> <tr> <td><b>SDN</b> Serial kit for PROFIBUS-DP</td> <td>1 to 2 stations (4 stations)</td> </tr> <tr> <td><b>SDV</b> Serial kit for CC-LINK</td> <td>1 to 2 stations (4 stations)</td> </tr> <tr> <td><b>SDTA</b> AS-; 8 in/out, 31 slave modes, 2 power supply systems</td> <td>1 to 4 stations (8 stations)</td> </tr> <tr> <td><b>SDTB</b> AS-; 4 in/out, 31 slave modes, 2 power supply systems</td> <td>1 to 2 stations (4 stations)</td> </tr> <tr> <td><b>SDTC</b> AS-; 8 in/out, 31 slave modes, 1 power supply systems</td> <td>1 to 4 stations (8 stations)</td> </tr> <tr> <td><b>SDTD</b> AS-; 4 in/out, 31 slave modes, 1 power supply systems</td> <td>1 to 2 stations (4 stations)</td> </tr> </table>	<b>SD0</b> Serial kit without SI unit	1 to 4 stations (8 stations)	<b>SDY</b> Serial kit for CANopen	1 to 2 stations (4 stations)	<b>SDQ</b> Serial kit for DeviceNet	1 to 12 stations (24 stations)	<b>SDN</b> Serial kit for PROFIBUS-DP	1 to 2 stations (4 stations)	<b>SDV</b> Serial kit for CC-LINK	1 to 2 stations (4 stations)	<b>SDTA</b> AS-; 8 in/out, 31 slave modes, 2 power supply systems	1 to 4 stations (8 stations)	<b>SDTB</b> AS-; 4 in/out, 31 slave modes, 2 power supply systems	1 to 2 stations (4 stations)	<b>SDTC</b> AS-; 8 in/out, 31 slave modes, 1 power supply systems	1 to 4 stations (8 stations)	<b>SDTD</b> AS-; 4 in/out, 31 slave modes, 1 power supply systems	1 to 2 stations (4 stations)	<p><b>S</b> Kit (Serial output kit)</p>  <p>Serial unit: <b>EX126</b> IP67 compliant</p> <table border="1"> <tr> <td><b>SDVB</b> Serial kit for CC-LINK</td> <td>1 to 8 stations (16 stations)</td> </tr> </table>	<b>SDVB</b> Serial kit for CC-LINK	1 to 8 stations (16 stations)	<p><b>F</b> Kit (D-sub connector kit)</p>  <p>25 pins</p> <p>IP40 compliant</p> <table border="1"> <tr> <td><b>FD0</b> D-sub connector kit (25P) without cable</td> <td>1 to 12 stations (24 stations)</td> </tr> <tr> <td><b>FD1</b> D-sub connector kit (25P) with 1.5 m cable</td> <td>1 to 12 stations (24 stations)</td> </tr> <tr> <td><b>FD2</b> D-sub connector kit (25P) with 3.0 m cable</td> <td>1 to 12 stations (24 stations)</td> </tr> <tr> <td><b>FD3</b> D-sub connector kit (25P) with 5.0 m cable</td> <td>1 to 12 stations (24 stations)</td> </tr> </table>	<b>FD0</b> D-sub connector kit (25P) without cable	1 to 12 stations (24 stations)	<b>FD1</b> D-sub connector kit (25P) with 1.5 m cable	1 to 12 stations (24 stations)	<b>FD2</b> D-sub connector kit (25P) with 3.0 m cable	1 to 12 stations (24 stations)	<b>FD3</b> D-sub connector kit (25P) with 5.0 m cable	1 to 12 stations (24 stations)
<b>SD0</b> Serial kit without SI unit	1 to 8 stations (16 stations)																																				
<b>SDA1</b> Serial kit for Remote I/O	1 to 8 stations (16 stations)																																				
<b>SDA2</b> Serial kit for DeviceNet/PROFIBUS-DP/CC-LINK	1 to 8 stations (16 stations)																																				
<b>SD0</b> Serial kit without SI unit	1 to 4 stations (8 stations)																																				
<b>SDY</b> Serial kit for CANopen	1 to 2 stations (4 stations)																																				
<b>SDQ</b> Serial kit for DeviceNet	1 to 12 stations (24 stations)																																				
<b>SDN</b> Serial kit for PROFIBUS-DP	1 to 2 stations (4 stations)																																				
<b>SDV</b> Serial kit for CC-LINK	1 to 2 stations (4 stations)																																				
<b>SDTA</b> AS-; 8 in/out, 31 slave modes, 2 power supply systems	1 to 4 stations (8 stations)																																				
<b>SDTB</b> AS-; 4 in/out, 31 slave modes, 2 power supply systems	1 to 2 stations (4 stations)																																				
<b>SDTC</b> AS-; 8 in/out, 31 slave modes, 1 power supply systems	1 to 4 stations (8 stations)																																				
<b>SDTD</b> AS-; 4 in/out, 31 slave modes, 1 power supply systems	1 to 2 stations (4 stations)																																				
<b>SDVB</b> Serial kit for CC-LINK	1 to 8 stations (16 stations)																																				
<b>FD0</b> D-sub connector kit (25P) without cable	1 to 12 stations (24 stations)																																				
<b>FD1</b> D-sub connector kit (25P) with 1.5 m cable	1 to 12 stations (24 stations)																																				
<b>FD2</b> D-sub connector kit (25P) with 3.0 m cable	1 to 12 stations (24 stations)																																				
<b>FD3</b> D-sub connector kit (25P) with 5.0 m cable	1 to 12 stations (24 stations)																																				
<p><b>P</b> Kit (Flat ribbon cable kit)</p>  <p>26 pins 20 pins</p> <p>IP40 compliant</p> <p>Note) For a 20P flat ribbon cable, the cable assembly must be ordered separately.</p> <table border="1"> <tr> <td><b>PD0</b> Flat ribbon cable kit (26P) without cable</td> <td>1 to 12 stations (24 stations)</td> </tr> <tr> <td><b>PD1</b> Flat ribbon cable kit (26P) with 1.5 m cable</td> <td>1 to 12 stations (24 stations)</td> </tr> <tr> <td><b>PD2</b> Flat ribbon cable kit (26P) with 3.0 m cable</td> <td>1 to 12 stations (24 stations)</td> </tr> <tr> <td><b>PD3</b> Flat ribbon cable kit (26P) with 5.0 m cable</td> <td>1 to 12 stations (24 stations)</td> </tr> <tr> <td><b>PDC</b> Flat ribbon cable kit (20P) without cable</td> <td>1 to 9 stations (18 stations)</td> </tr> </table>	<b>PD0</b> Flat ribbon cable kit (26P) without cable	1 to 12 stations (24 stations)	<b>PD1</b> Flat ribbon cable kit (26P) with 1.5 m cable	1 to 12 stations (24 stations)	<b>PD2</b> Flat ribbon cable kit (26P) with 3.0 m cable	1 to 12 stations (24 stations)	<b>PD3</b> Flat ribbon cable kit (26P) with 5.0 m cable	1 to 12 stations (24 stations)	<b>PDC</b> Flat ribbon cable kit (20P) without cable	1 to 9 stations (18 stations)	<p><b>T</b> Kit (Terminal block box kit)</p>  <p>IP67 compliant</p> <table border="1"> <tr> <td><b>TD0</b> Terminal block box kit</td> <td>1 to 10 stations (20 stations)</td> </tr> </table>	<b>TD0</b> Terminal block box kit	1 to 10 stations (20 stations)	<p><b>L</b> Kit (Lead wire kit)</p>  <p>25 core cable</p> <p>IP67 compliant</p> <table border="1"> <tr> <td><b>LD0</b> Lead wire kit (25 core) 0.6 m lead wire</td> <td>1 to 12 stations (24 stations)</td> </tr> <tr> <td><b>LD1</b> Lead wire kit (25 core) 1.5 m lead wire</td> <td>1 to 12 stations (24 stations)</td> </tr> <tr> <td><b>LD2</b> Lead wire kit (25 core) 3.0 m lead wire</td> <td>1 to 12 stations (24 stations)</td> </tr> </table>	<b>LD0</b> Lead wire kit (25 core) 0.6 m lead wire	1 to 12 stations (24 stations)	<b>LD1</b> Lead wire kit (25 core) 1.5 m lead wire	1 to 12 stations (24 stations)	<b>LD2</b> Lead wire kit (25 core) 3.0 m lead wire	1 to 12 stations (24 stations)	<p><b>M</b> Kit (Multiple connector kit)</p>  <p>26 pins</p> <p>IP67 compliant</p> <table border="1"> <tr> <td><b>MD0</b> Multiple connector kit (26P) without cable</td> <td>1 to 12 stations (24 stations)</td> </tr> <tr> <td><b>MD1</b> Multiple connector kit (26P) with 1.5 m cable</td> <td>1 to 12 stations (24 stations)</td> </tr> <tr> <td><b>MD2</b> Multiple connector kit (26P) with 3.0 m cable</td> <td>1 to 12 stations (24 stations)</td> </tr> <tr> <td><b>MD3</b> Multiple connector kit (26P) with 5.0 m cable</td> <td>1 to 12 stations (24 stations)</td> </tr> </table>	<b>MD0</b> Multiple connector kit (26P) without cable	1 to 12 stations (24 stations)	<b>MD1</b> Multiple connector kit (26P) with 1.5 m cable	1 to 12 stations (24 stations)	<b>MD2</b> Multiple connector kit (26P) with 3.0 m cable	1 to 12 stations (24 stations)	<b>MD3</b> Multiple connector kit (26P) with 5.0 m cable	1 to 12 stations (24 stations)								
<b>PD0</b> Flat ribbon cable kit (26P) without cable	1 to 12 stations (24 stations)																																				
<b>PD1</b> Flat ribbon cable kit (26P) with 1.5 m cable	1 to 12 stations (24 stations)																																				
<b>PD2</b> Flat ribbon cable kit (26P) with 3.0 m cable	1 to 12 stations (24 stations)																																				
<b>PD3</b> Flat ribbon cable kit (26P) with 5.0 m cable	1 to 12 stations (24 stations)																																				
<b>PDC</b> Flat ribbon cable kit (20P) without cable	1 to 9 stations (18 stations)																																				
<b>TD0</b> Terminal block box kit	1 to 10 stations (20 stations)																																				
<b>LD0</b> Lead wire kit (25 core) 0.6 m lead wire	1 to 12 stations (24 stations)																																				
<b>LD1</b> Lead wire kit (25 core) 1.5 m lead wire	1 to 12 stations (24 stations)																																				
<b>LD2</b> Lead wire kit (25 core) 3.0 m lead wire	1 to 12 stations (24 stations)																																				
<b>MD0</b> Multiple connector kit (26P) without cable	1 to 12 stations (24 stations)																																				
<b>MD1</b> Multiple connector kit (26P) with 1.5 m cable	1 to 12 stations (24 stations)																																				
<b>MD2</b> Multiple connector kit (26P) with 3.0 m cable	1 to 12 stations (24 stations)																																				
<b>MD3</b> Multiple connector kit (26P) with 5.0 m cable	1 to 12 stations (24 stations)																																				

**Manifold Option**

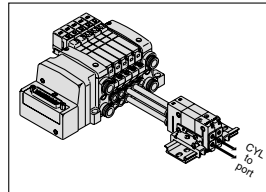
**Blanking plate assembly**  
VVQ1000-10A-1



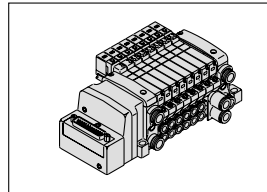
**SUP block plate**  
VVQ1000-16A



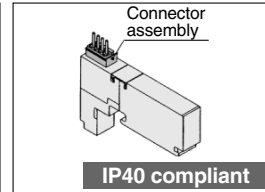
**Perfect block**  
VVQ1000-FPG-□□



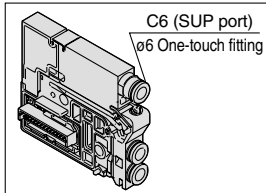
**Dual flow fitting assembly**  
VVQ1000-52A-C8



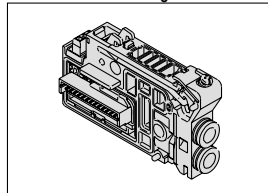
**Blanking plate with connector**  
VVQ1000-1C□□-□



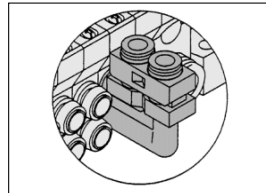
**Individual SUP spacer**  
VVQ1000-P-1-C6



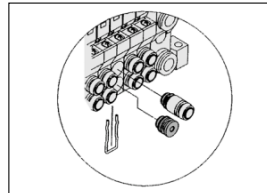
**EXH block plate assembly**  
VVQC1000-19A-S-□□□□□□



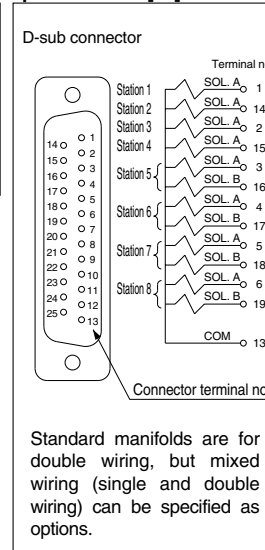
**Elbow fitting assembly**  
VVQ1000-F-L□



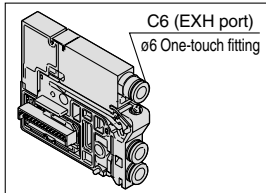
**Port plug**  
VVQ0000-58A



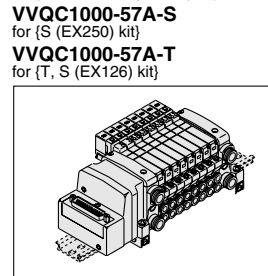
**Electrical wiring specifications [-K]**



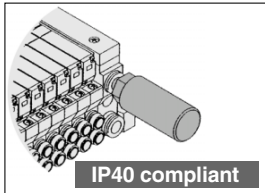
**Individual EXH spacer**  
VVQ1000-R-1-C6



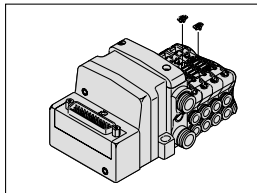
**DIN rail mounting bracket [-D]**  
VVQ1000-57A  
for (F, L, M, P, S (EX500) kit)



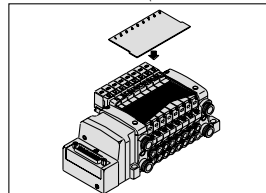
**Silencer (For EXH port)**  
AN200-KM8  
AN203-KM8



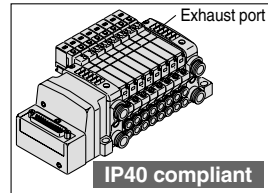
**Back pressure check valve assembly [-B]**  
VVQ1000-18A



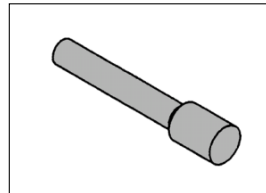
**Name plate [-N]**  
VVQ1000-N-Stations (1 to max. no. of stations)



**Direct EXH outlet with built-in silencer [-S]**



**Blanking plug**  
KQ2P-□



VQC

SQ

VQ0

VQ4

VQ5

VQZ

VQD

### Standard Specifications

Valve Configuration		Metal seal		Rubber seal		
		Air/Inert gas				
Valve specifications	VQC1000/2000	Max. operating pressure		0.7 MPa (High pressure type: 1.0 MPa) <sup>Note 4)</sup>		
		Min. operating pressure	Single	0.1 MPa	0.15 MPa	
			Double	0.1 MPa		
			3 position	0.1 MPa	0.2 MPa	
			4 position	—	0.15 MPa	
	VQC4000	Max. operating pressure <sup>Note 3)</sup>		1.0 MPa (0.7 MPa)		
		Min. operating pressure	Single	0.15 MPa	0.2 MPa	
			Double	0.15 MPa		
	3 position	0.15 MPa	0.2 MPa			
	Proof pressure		1.5 MPa			
Ambient and fluid temperature		-10 to 50°C <sup>Note 1)</sup>				
Lubrication		Not required				
Manual override		Push type/Locking type (tool required)/Locking type (Manual override) <sup>Note 5)</sup> /Slide locking type <sup>Note 5)</sup>				
Impact resistance/Vibration resistance		150/30 m/s <sup>2</sup> <sup>Note 2)</sup>				
Enclosure		Dust proof (IP67 compliant)				
Electrical specifications	Rated coil voltage		24 VDC			
	Allowable voltage fluctuation		±10% of rated voltage			
	Coil insulation type		Equivalent to B type			
	Power consumption (Current)	24 VDC	1 W DC (42 mA), 0.5 W DC (21 mA)			
		12 VDC	1 W DC (83 mA), 0.5 W DC (42 mA)			

- VQC
- SQ
- VQ0
- VQ4
- VQ5
- VQZ
- VQD

Note 1) Use dry air to prevent condensation at low temperatures.  
 Note 2) **Impact resistance:** No malfunction resulted from the impact test using a drop impact tester. The test was performed one time each in the axial and right angle directions of the main valve and armature, for both energized and de-energized states.  
**Vibration resistance:** No malfunction occurred in a one-sweep test between 45 and 2000Hz. Test was performed in the axial and right angle directions of the main valve and armature for both energized and de-energized states.  
 Note 3) Values in ( ) are for the low wattage (0.5 W) specification.  
 Note 4) Metal seal type only.  
 Note 5) Only for VQC1000/2000.

### Manifold Specifications

Series	Base model	Connection type	Piping specifications		Applicable stations <sup>Note 2)</sup>	Applicable solenoid valves	5 station weight (g)
			Port direction	Port size <sup>Note 1)</sup>			
VQC1000	VV5QC11-□□□	<ul style="list-style-type: none"> <li>■ F Kit: D-sub connector</li> <li>■ P Kit: Flat cable</li> <li>■ T Kit: Terminal block box</li> <li>■ S Kit: Serial transmission</li> <li>■ L Kit: Lead wire</li> <li>■ M Kit: Multiple connector</li> </ul>	Side	C8 (For ø8) Options Direct outlet with built-in silencer C3 (For ø3.2) C4 (For ø4) C6 (For ø6) M5 (M5 threads)	(F, L, M and P kits) 1 to 12 stations T kit 1 to 10 stations S kit 1 to 8 stations: EX500 1 to 12 stations: EX250 1 to 8 stations: EX126	VQC1□00-5 VQC1□01-5	628 (Single) 759 (Double, 3P)
VQC2000	VV5QC21-□□□		Side	C10 (For ø10) Options Direct outlet with built-in silencer Branch type C12 (for ø12) C4 (For ø4) C6 (For ø6) C8 (For ø8)	1 to 8 stations: EX500 1 to 12 stations: EX250 1 to 8 stations: EX126	VQC2□00-5 VQC2□01-5	1051 (Single) 1144 (Double, 3P)
VQC4000	VV5QC41-□□□		Side   Bottom	C8 (For ø8) C10 (For ø10) C12 (For ø12) Rc 1/4 Rc 3/8  Rc 1/4	(F, L, M and P kits) 1 to 12 stations T kit 1 to 10 stations S kit 1 to 12 stations: EX240, EX250 1 to 8 stations: EX500 1 to 8 stations: EX126	VQC4□00-5 VQC4□01-5	4150 • S kit (without unit) • Solenoid weight is not included.

Note 1) One-touch fittings in inch sizes are also available.  
 Note 2) An optional specification for special wiring is available to increase the maximum number of stations.

# Series VQC

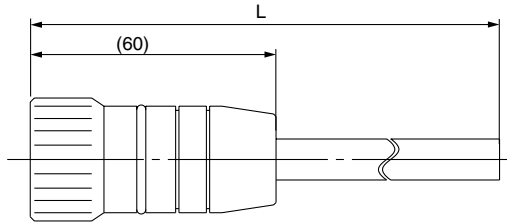
## Manifold Option

### ■ Circular connector/Cable assembly (26 pins)

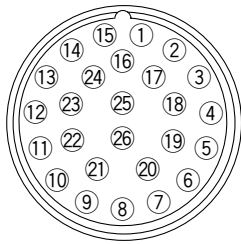
#### AXT100 – MC26 – □

##### Lead Wire Length

Part no.	L dimension
AXT100-MC26-015	1.5 m
AXT100-MC26-030	3 m
AXT100-MC26-050	5 m



Plug terminal no.  
(arrangement as seen from lead wire side)



### Circular Connector Cable Assembly Terminal No.

Terminal no.	Lead wire color	Dot marking
①	Black	None
②	Brown	None
③	Red	None
④	Orange	None
⑤	Yellow	None
⑥	Pink	None
⑦	Blue	None
⑧	Purple	White
⑨	Gray	Black
⑩	White	Black
⑪	White	Red
⑫	Yellow	Red
⑬	Orange	Red
⑭	Yellow	Black
⑮	Pink	Black
⑯	Blue	White
⑰	Purple	None
⑱	Gray	None
⑲	Orange	Black
⑳	Red	White
㉑	Brown	White
㉒	Pink	Red
㉓	Gray	Red
㉔	Black	White
㉕	White	None

Note) Terminal no. ㉖ is connected to ㉕ inside the connector.

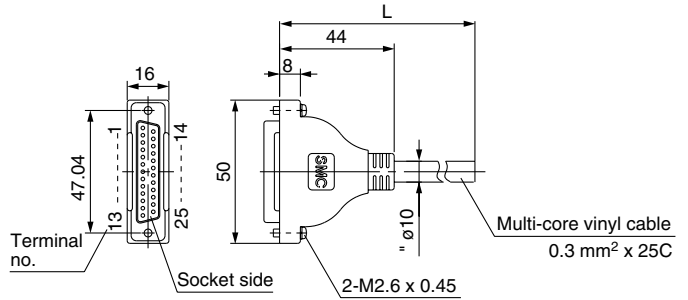
### ■ D-sub connector/Cable assembly (25 pins)

#### AXT100 – DS25 – □

##### Lead Wire Length

Part no.	L dimension
AXT100-DS25-015	1.5 m
AXT100-DS25-030	3 m
AXT100-DS25-050	5 m

When a commercially available connector is required, use a 25 pin female connector conforming to MIL-C24308.



### D-sub Connector Cable Assembly Terminal No.

Terminal no.	Lead wire color	Dot marking
①	Black	None
②	Brown	None
③	Red	None
④	Orange	None
⑤	Yellow	None
⑥	Pink	None
⑦	Blue	None
⑧	Purple	White
⑨	Gray	Black
⑩	White	Black
⑪	White	Red
⑫	Yellow	Red
⑬	Orange	Red
⑭	Yellow	Black
⑮	Pink	Black
⑯	Blue	White
⑰	Purple	None
⑱	Gray	None
⑲	Orange	Black
⑳	Red	White
㉑	Brown	White
㉒	Pink	Red
㉓	Gray	Red
㉔	Black	White
㉕	White	None

### Circular Connector, D-sub Connector Cable Assembly Electric Characteristics

Item	Characteristics
Conductor resistance W/km, 20°C	65 or less
Withstand voltage VAC, 1 min.	1000
Insulation resistance, M/km, 20°C	5 or less

Note) The minimum inside bending radius for each cable is 20 mm.

