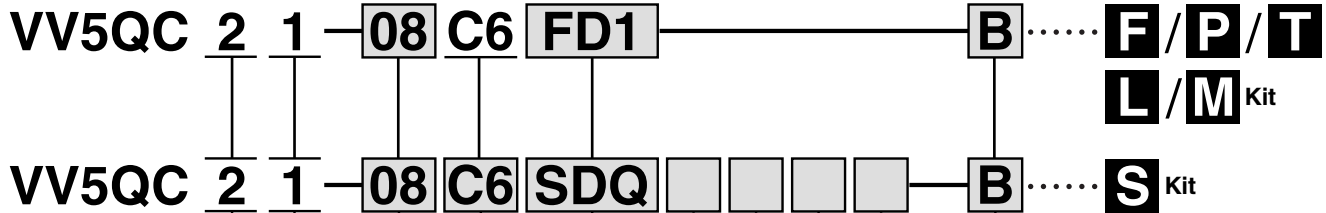


# Series VQC2000

## Base Mounted Plug-in Unit

### How to Order Manifold



**Series**  
 2 VQC2000

**Manifold model**  
 1 Plug-in unit

**Stations**  
 01 1 station  
 : :  
 : :  
 : :

The maximum number of stations differs depending on the electrical entry.

**Cylinder port size**

C4	With ø4 One-touch fitting
C6	With ø6 One-touch fitting
C8	With ø8 One-touch fitting
CM	Mixed sizes and with port plug
L4	Top ported elbow With ø4 One-touch fitting
L6	Top ported elbow With ø6 One-touch fitting
L8	Top ported elbow With ø8 One-touch fitting
B4	Bottom ported elbow With ø4 One-touch fitting
B6	Bottom ported elbow With ø6 One-touch fitting
B8	Bottom ported elbow With ø8 One-touch fitting
LM	Elbow port, mixed sizes

Note 1) Indicate the size in the specification sheet in the case of "CM" and "LM".

Note 2) Symbols for inch sizes are as follows:  
 <For One-touch fittings>  
 N3: ø5/32"  
 N7: ø1/4"  
 N9: ø5/16"  
 NM: Mixed

The top ported elbow is LN□ and the bottom ported elbow is BN□.

**Kit designation/Electrical entry/Cable length**  
 (Refer to page 2-2-16 for detailed information on kits.)

**SI unit COM.**

SI unit COM	EX250					EX500				EX126
	DeviceNet	PROFIBUS-DP	CC-LINK	AS-i	CANopen	DeviceNet	PROFIBUS-DP	CC-LINK	Remote I/O	CC-LINK
Nil	+COM	—	—	○	—	○	○	○	○	○
N	-COM	○	○	—	○	○	○	○	○	—

Note) Leave the box blank for the SI unit COM without SI unit (SD0).

**Number of input blocks**  
 (Fill out for I/O unit only)

Nil	Without SI unit/input block (SD0)
0	Without input block
1	With 1 input block
:	:
8	With 8 input blocks

**Option**

Nil	None
B	All stations with back pressure check valve Note 1)
D	With DIN rail (Rail length: Standard)
D□	With DIN rail (Rail length: Special) Note 2)
K	Special wiring specifications Note 3)
N	With name plate
R	External pilot Note 4)
S	Direct exhaust with built-in silencer Note 5)
T	Branched P and R ports on U side Note 6)

\* When specifying more than one option, enter symbols in alphabetical order.  
 Example: -BRS

Note 1) When using the back pressure check valve for the necessary stations only, enter the back pressure check valve part no. and indicate the number of manifold stations on the specification sheet.

Note 2) For special DIN rail length, indicate "D□". (Enter the number of stations inside □.)  
 Example: -D08  
 In this case, stations will be mounted on a DIN rail for 8 stations regardless of the actual number of manifold stations. The specified number of stations must be larger than the number of stations on the manifold. Indicate "-D0" for the option without DIN rail.

Note 3) Be sure to indicate the wiring specifications on the specification sheet.

Note 4) For external pilot option, "-R", indicate the external pilot specification "R" for the applicable valves as well.

Note 5) The built-in silencer type does not satisfy the IP67 standard.

Note 6) The SUP and EXH ports on U side are branched (toward the cylinder port and coil) with ø12 one-touch fittings for connection.

**Input block COM.**  
 (Fill out for I/O unit only)

Nil	PNP (+) or without SI unit/input block
N	NPN (-)

**Input block type**  
 (Fill out for I/O unit only)

Nil	Without input block
1	M12, 2 inputs
2	M12, 4 inputs
3	M8, 4 inputs (3 pins)

- VQC
- SQ
- VQ0
- VQ4
- VQ5
- VQZ
- VQD

## How to Order Valves

**VQC 2 1 0 0 5**

**Series**  
2 VQC2000

**Type of actuation**

1	2 position single (A)(B) 4 2 5 1 3 (R1)(P)(R2)	<b>A</b> Note)	4 position dual 3 port valve (A) (A) (B) 4 4 2 5 1 3 (R1) (P) (R2) N.C (P) N.C
	2 position double (metal) (A)(B) 4 2 5 1 3 (R1)(P)(R2)	<b>B</b> Note)	4 position dual 3 port valve (B) (A) (B) 4 4 2 5 1 3 (R1) (P) (R2) N.O (P) N.O
2	2 position double (rubber) (A)(B) 4 2 5 1 3 (R1)(P)(R2)	<b>C</b> Note)	4 position dual 3 port valve (C) (A) (B) 4 4 2 5 1 3 (R1) (P) (R2) N.C (P) N.O
	3 position closed center (A)(B) 4 2 5 1 3 (R1)(P)(R2)	Note) For rubber seal type only.	
3	3 position exhaust center (A)(B) 4 2 5 1 3 (R1)(P)(R2)		
4	3 position pressure center (A)(B) 4 2 5 1 3 (R1)(P)(R2)		
5			

**Manual override**

**Nil:** Non-locking push type (Slotted)  
**B:** Locking type (Slotted)  
**C:** Locking type (Manual)  
**D:** Slide locking type (Manual)

**Light/Surge voltage suppressor**

Nil	With
E	Without Note)

Note) Not applicable to S kit.

**Coil voltage**

5	24 VDC Note)
6	12 VDC

Note) S kit is only available for 24 VDC.

**Function**

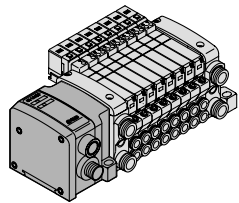
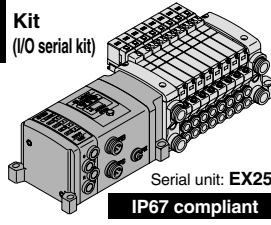
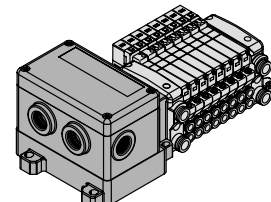
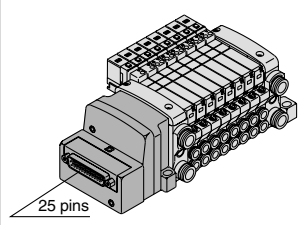
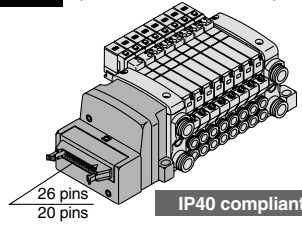
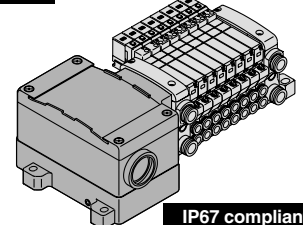
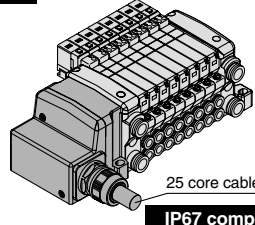
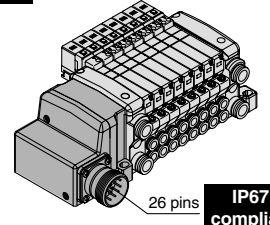
Nil	Standard type (1 W)
K Note 1)	High pressure type (1.0 MPa)
N	Negative COM
R Note 2)	External pilot
Y	Low wattage type (0.5 W)

\* When specifying more than one option, enter symbols in alphabetical order.  
Note 1) For metal seal type only.  
Note 2) Not applicable for dual 3 port valve.

**Seal type**

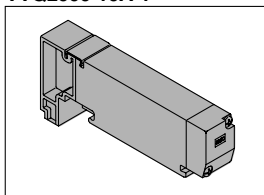
0	Metal seal
1	Rubber seal

### Kit Designation/Electrical Entry/Cable Length

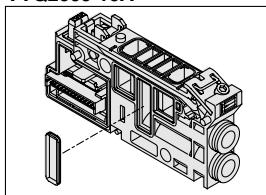
<p><b>S</b> Kit (Decentralized wiring type serial kit)</p>  <p>Serial unit: <b>EX500</b> IP67 compliant</p> <p>Note) A separate gateway unit and communication cable are required.</p> <table border="1"> <tr> <td>SD0</td> <td>Serial kit without SI unit</td> <td></td> </tr> <tr> <td>SDA1</td> <td>Serial kit for Remote I/O</td> <td>1 to 8 stations (16 stations)</td> </tr> <tr> <td>SDA2</td> <td>Serial kit for DeviceNet/PROFIBUS-DP/CC-LINK</td> <td></td> </tr> </table>	SD0	Serial kit without SI unit		SDA1	Serial kit for Remote I/O	1 to 8 stations (16 stations)	SDA2	Serial kit for DeviceNet/PROFIBUS-DP/CC-LINK		<p><b>S</b> Kit (I/O serial kit)</p>  <p>Serial unit: <b>EX250</b> IP67 compliant</p> <table border="1"> <tr> <td>SD0</td> <td>Serial kit without SI unit</td> <td></td> </tr> <tr> <td>SDY</td> <td>Serial kit for CANopen</td> <td></td> </tr> <tr> <td>SDQ</td> <td>Serial kit for DeviceNet</td> <td>1 to 12 stations (24 stations)</td> </tr> <tr> <td>SDN</td> <td>Serial kit for PROFIBUS-DP</td> <td></td> </tr> <tr> <td>SDV</td> <td>Serial kit for CC-LINK</td> <td></td> </tr> <tr> <td>SDTA</td> <td>AS-4, 8 in/out, 31 slave modes, 2 power supply systems</td> <td>1 to 4 stations (8 stations)</td> </tr> <tr> <td>SDTB</td> <td>AS-4, 4 in/out, 31 slave modes, 2 power supply systems</td> <td>1 to 2 stations (4 stations)</td> </tr> <tr> <td>SDTC</td> <td>AS-4, 8 in/out, 31 slave modes, 1 power supply systems</td> <td>1 to 4 stations (8 stations)</td> </tr> <tr> <td>SDTD</td> <td>AS-4, 4 in/out, 31 slave modes, 1 power supply systems</td> <td>1 to 2 stations (4 stations)</td> </tr> </table>	SD0	Serial kit without SI unit		SDY	Serial kit for CANopen		SDQ	Serial kit for DeviceNet	1 to 12 stations (24 stations)	SDN	Serial kit for PROFIBUS-DP		SDV	Serial kit for CC-LINK		SDTA	AS-4, 8 in/out, 31 slave modes, 2 power supply systems	1 to 4 stations (8 stations)	SDTB	AS-4, 4 in/out, 31 slave modes, 2 power supply systems	1 to 2 stations (4 stations)	SDTC	AS-4, 8 in/out, 31 slave modes, 1 power supply systems	1 to 4 stations (8 stations)	SDTD	AS-4, 4 in/out, 31 slave modes, 1 power supply systems	1 to 2 stations (4 stations)	<p><b>S</b> Kit (Serial output kit)</p>  <p>Serial unit: <b>EX126</b> IP67 compliant</p> <table border="1"> <tr> <td>SDVB</td> <td>Serial kit for CC-LINK</td> <td>1 to 8 stations (16 stations)</td> </tr> </table>	SDVB	Serial kit for CC-LINK	1 to 8 stations (16 stations)	<p><b>F</b> Kit (D-sub connector kit)</p>  <p>25 pins</p> <p>IP40 compliant</p> <table border="1"> <tr> <td>FD0</td> <td>D-sub connector kit (25P) without cable</td> <td></td> </tr> <tr> <td>FD1</td> <td>D-sub connector kit (25P) with 1.5 m cable</td> <td>1 to 12 stations (24 stations)</td> </tr> <tr> <td>FD2</td> <td>D-sub connector kit (25P) with 3.0 m cable</td> <td></td> </tr> <tr> <td>FD3</td> <td>D-sub connector kit (25P) with 5.0 m cable</td> <td></td> </tr> </table>	FD0	D-sub connector kit (25P) without cable		FD1	D-sub connector kit (25P) with 1.5 m cable	1 to 12 stations (24 stations)	FD2	D-sub connector kit (25P) with 3.0 m cable		FD3	D-sub connector kit (25P) with 5.0 m cable	
SD0	Serial kit without SI unit																																																					
SDA1	Serial kit for Remote I/O	1 to 8 stations (16 stations)																																																				
SDA2	Serial kit for DeviceNet/PROFIBUS-DP/CC-LINK																																																					
SD0	Serial kit without SI unit																																																					
SDY	Serial kit for CANopen																																																					
SDQ	Serial kit for DeviceNet	1 to 12 stations (24 stations)																																																				
SDN	Serial kit for PROFIBUS-DP																																																					
SDV	Serial kit for CC-LINK																																																					
SDTA	AS-4, 8 in/out, 31 slave modes, 2 power supply systems	1 to 4 stations (8 stations)																																																				
SDTB	AS-4, 4 in/out, 31 slave modes, 2 power supply systems	1 to 2 stations (4 stations)																																																				
SDTC	AS-4, 8 in/out, 31 slave modes, 1 power supply systems	1 to 4 stations (8 stations)																																																				
SDTD	AS-4, 4 in/out, 31 slave modes, 1 power supply systems	1 to 2 stations (4 stations)																																																				
SDVB	Serial kit for CC-LINK	1 to 8 stations (16 stations)																																																				
FD0	D-sub connector kit (25P) without cable																																																					
FD1	D-sub connector kit (25P) with 1.5 m cable	1 to 12 stations (24 stations)																																																				
FD2	D-sub connector kit (25P) with 3.0 m cable																																																					
FD3	D-sub connector kit (25P) with 5.0 m cable																																																					
<p><b>P</b> Kit (Flat ribbon cable kit)</p>  <p>26 pins 20 pins</p> <p>Note) For a 20P flat ribbon cable, the cable assembly must be ordered separately.</p> <table border="1"> <tr> <td>PD0</td> <td>Flat ribbon cable kit (26P) without cable</td> <td></td> </tr> <tr> <td>PD1</td> <td>Flat ribbon cable kit (26P) with 1.5 m cable</td> <td>1 to 12 stations (24 stations)</td> </tr> <tr> <td>PD2</td> <td>Flat ribbon cable kit (26P) with 3.0 m cable</td> <td></td> </tr> <tr> <td>PD3</td> <td>Flat ribbon cable kit (26P) with 5.0 m cable</td> <td></td> </tr> <tr> <td>PDC</td> <td>Flat ribbon cable kit (20P) without cable</td> <td>1 to 9 stations (18 stations)</td> </tr> </table>	PD0	Flat ribbon cable kit (26P) without cable		PD1	Flat ribbon cable kit (26P) with 1.5 m cable	1 to 12 stations (24 stations)	PD2	Flat ribbon cable kit (26P) with 3.0 m cable		PD3	Flat ribbon cable kit (26P) with 5.0 m cable		PDC	Flat ribbon cable kit (20P) without cable	1 to 9 stations (18 stations)	<p><b>T</b> Kit (Terminal block box kit)</p>  <p>IP67 compliant</p> <table border="1"> <tr> <td>TD0</td> <td>Terminal block box kit</td> <td>1 to 10 stations (20 stations)</td> </tr> </table>	TD0	Terminal block box kit	1 to 10 stations (20 stations)	<p><b>L</b> Kit (Lead wire kit)</p>  <p>25 core cable</p> <p>IP67 compliant</p> <table border="1"> <tr> <td>LD0</td> <td>Lead wire kit (25 core) 0.6 m lead wire</td> <td>1 to 12 stations (24 stations)</td> </tr> <tr> <td>LD1</td> <td>Lead wire kit (25 core) 1.5 m lead wire</td> <td></td> </tr> <tr> <td>LD2</td> <td>Lead wire kit (25 core) 3.0 m lead wire</td> <td></td> </tr> </table>	LD0	Lead wire kit (25 core) 0.6 m lead wire	1 to 12 stations (24 stations)	LD1	Lead wire kit (25 core) 1.5 m lead wire		LD2	Lead wire kit (25 core) 3.0 m lead wire		<p><b>M</b> Kit (Multiple connector kit)</p>  <p>26 pins</p> <p>IP67 compliant</p> <table border="1"> <tr> <td>MD0</td> <td>Multiple connector kit (26P) without cable</td> <td></td> </tr> <tr> <td>MD1</td> <td>Multiple connector kit (26P) with 1.5 m cable</td> <td>1 to 12 stations (24 stations)</td> </tr> <tr> <td>MD2</td> <td>Multiple connector kit (26P) with 3.0 m cable</td> <td></td> </tr> <tr> <td>MD3</td> <td>Multiple connector kit (26P) with 5.0 m cable</td> <td></td> </tr> </table>	MD0	Multiple connector kit (26P) without cable		MD1	Multiple connector kit (26P) with 1.5 m cable	1 to 12 stations (24 stations)	MD2	Multiple connector kit (26P) with 3.0 m cable		MD3	Multiple connector kit (26P) with 5.0 m cable													
PD0	Flat ribbon cable kit (26P) without cable																																																					
PD1	Flat ribbon cable kit (26P) with 1.5 m cable	1 to 12 stations (24 stations)																																																				
PD2	Flat ribbon cable kit (26P) with 3.0 m cable																																																					
PD3	Flat ribbon cable kit (26P) with 5.0 m cable																																																					
PDC	Flat ribbon cable kit (20P) without cable	1 to 9 stations (18 stations)																																																				
TD0	Terminal block box kit	1 to 10 stations (20 stations)																																																				
LD0	Lead wire kit (25 core) 0.6 m lead wire	1 to 12 stations (24 stations)																																																				
LD1	Lead wire kit (25 core) 1.5 m lead wire																																																					
LD2	Lead wire kit (25 core) 3.0 m lead wire																																																					
MD0	Multiple connector kit (26P) without cable																																																					
MD1	Multiple connector kit (26P) with 1.5 m cable	1 to 12 stations (24 stations)																																																				
MD2	Multiple connector kit (26P) with 3.0 m cable																																																					
MD3	Multiple connector kit (26P) with 5.0 m cable																																																					

**Manifold Option**

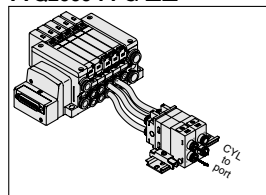
**Blanking plate assembly**  
VVQ2000-10A-1



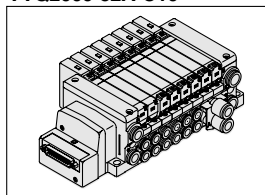
**SUP block plate**  
VVQ2000-16A



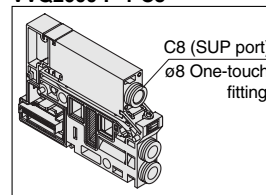
**Perfect block**  
VVQ2000-FPG-□□



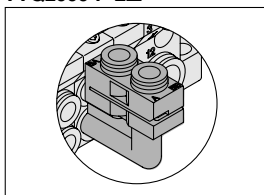
**Dual flow fitting assembly**  
VVQ2000-52A-C10



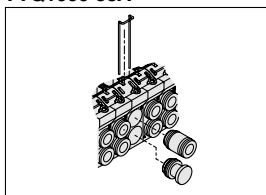
**Individual SUP spacer**  
VVQ2000-P-1-C8



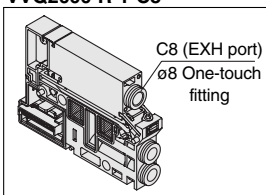
**Elbow fitting assembly**  
VVQ2000-F-L□



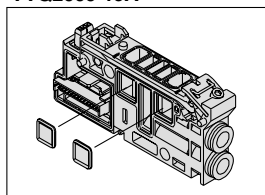
**Port plug**  
VVQ1000-58A



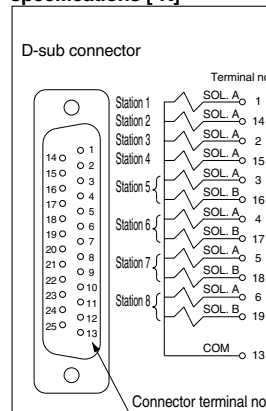
**Individual EXH spacer**  
VVQ2000-R-1-C8



**EXH block plate**  
VVQ2000-19A



**Electrical wiring specifications [-K]**



**DIN rail mounting bracket [-D]**  
VVQ2000-57A

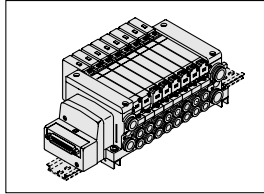
for (F, L, M, P, S (EX500) kit)

**VVQ2000-57A-S**

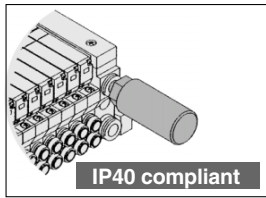
for (S (EX250) kit)

**VVQ2000-57A-T**

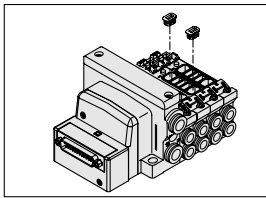
for (T, S (EX126) kit)



**Silencer (for EXH port)**  
AN200-KM10

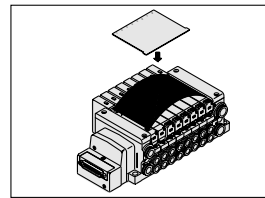


**Back pressure check valve assembly [-B]**  
VVQ2000-18A

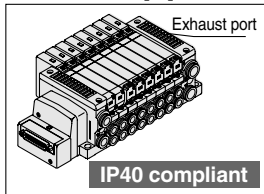


**Name plate [-N]**  
VVQ2000-N-Stations

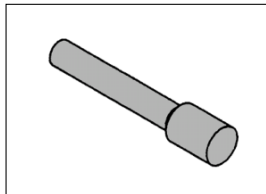
(1 to max. no. of stations)



**Direct EXH outlet with built-in silencer [-S]**



**Blanking plug**  
KQ2P-□



VQC

SQ

VQ0

VQ4

VQ5

VQZ

VQD

# Series VQC

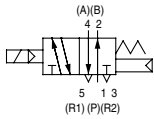
## Base Mounted

# Plug-in Unit

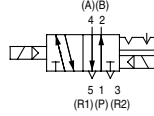


### JIS Symbol

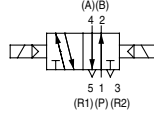
2 position single



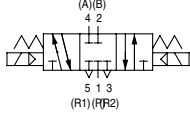
2 position double (metal)



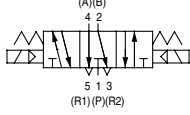
2 position double (rubber)



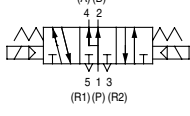
3 position closed center



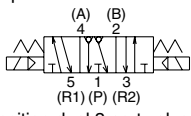
3 position exhaust center



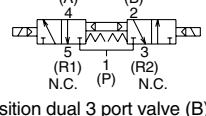
3 position pressure center



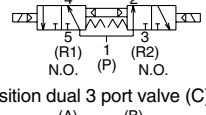
3 position exhaust center with pressure release valves



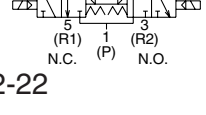
4 position dual 3 port valve (A)



4 position dual 3 port valve (B)



4 position dual 3 port valve (C)



2-2-22

### Model

Series	No. of solenoids	Model	Flow characteristics						Response time (ms) <sup>Note 2)</sup>		Weight (g)			
			1 → 4, 2 (P → A, B)			4, 2 → 5, 3 (A, B → R1, R2)			Standard: 1 W	Low wattage				
			C[dm <sup>3</sup> /(s·bar)]	b	C <sub>v</sub>	C[dm <sup>3</sup> /(s·bar)]	b	C <sub>v</sub>						
VQC1000	2 position	Single	Metal seal	VQC1100	0.70	0.15	0.16	0.72	0.25	0.18	12 or less	15 or less	64	
			Rubber seal	VQC1101	0.85	0.20	0.21	1.0	0.30	0.25	15 or less	20 or less		
		Double	Metal seal	VQC1200	0.70	0.15	0.16	0.72	0.25	0.18	10 or less	13 or less		
			Rubber seal	VQC1201	0.85	0.20	0.21	1.0	0.30	0.25	15 or less	20 or less		
	3 position	Closed center	Metal seal	VQC1300	0.68	0.15	0.16	0.72	0.25	0.18	20 or less	26 or less		78
			Rubber seal	VQC1301	0.70	0.20	0.16	0.65	0.42	0.18	25 or less	33 or less		
		Exhaust center	Metal seal	VQC1400	0.68	0.15	0.16	0.72	0.25	0.18	20 or less	26 or less		
			Rubber seal	VQC1401	0.70	0.20	0.16	1.0	0.30	0.25	25 or less	33 or less		
		Pressure center	Metal seal	VQC1500	0.70	0.15	0.16	0.72	0.25	0.18	20 or less	26 or less		
			Rubber seal	VQC1501	0.85	0.20	0.21	0.65	0.42	0.18	25 or less	33 or less		
4 position	Dual 3 port valve	Rubber seal	VQC1 <sup>A</sup> <sub>C</sub> 01	0.70	0.20	0.16	0.70	0.20	0.16	25 or less	33 or less			
VQC2000	2 position	Single	Metal seal	VQC2100	2.0	0.15	0.46	2.6	0.15	0.60	22 or less	29 or less	90	
			Rubber seal	VQC2101	2.2	0.28	0.55	3.2	0.30	0.80	24 or less	31 or less		
		Double	Metal seal	VQC2200	2.0	0.15	0.46	2.6	0.15	0.60	15 or less	20 or less		
			Rubber seal	VQC2201	2.2	0.28	0.55	3.2	0.30	0.80	20 or less	26 or less		
	3 position	Closed center	Metal seal	VQC2300	2.0	0.15	0.46	2.0	0.18	0.46	29 or less	38 or less		110
			Rubber seal	VQC2301	2.0	0.28	0.49	2.2	0.31	0.60	34 or less	44 or less		
		Exhaust center	Metal seal	VQC2400	2.0	0.15	0.46	2.6	0.15	0.60	29 or less	38 or less		
			Rubber seal	VQC2401	2.0	0.28	0.49	3.2	0.30	0.80	34 or less	44 or less		
		Pressure center	Metal seal	VQC2500	2.4	0.17	0.57	2.0	0.18	0.46	29 or less	38 or less		
			Rubber seal	VQC2501	3.2	0.28	0.80	2.2	0.31	0.60	34 or less	44 or less		
4 position	Dual 3 port valve	Rubber seal	VQC2 <sup>A</sup> <sub>C</sub> 01	1.8	0.28	0.46	1.8	0.28	0.46	34 or less	44 or less			
VQC4000	2 position	Single	Metal seal	VQC4100	6.2	0.19	1.5	6.9	0.17	1.7	20 or less	22 or less	230	
			Rubber seal	VQC4101	7.2	0.43	2.1	7.3	0.38	2.0	25 or less	27 or less		
		Double	Metal seal	VQC4200	6.2	0.19	1.5	6.9	0.17	1.7	12 or less	12 or less		
			Rubber seal	VQC4201	7.2	0.43	2.1	7.3	0.38	2.0	15 or less	15 or less		
	3 position	Closed center	Metal seal	VQC4300	5.9	0.23	1.5	6.3	0.18	1.6	45 or less	47 or less	280	
			Rubber seal	VQC4301	7.0	0.34	1.9	6.4	0.42	1.9	50 or less	52 or less		
		Exhaust center	Metal seal	VQC4400	6.2	0.18	1.5	6.9	0.17	1.7	45 or less	47 or less		
			Rubber seal	VQC4401	7.0	0.38	1.9	7.3	0.38	2.0	50 or less	52 or less		
		Pressure center	Metal seal	VQC4500	6.2	0.18	1.9	6.4	0.18	1.6	45 or less	47 or less		
			Rubber seal	VQC4501	7.0	0.38	1.9	7.1	0.38	2.0	50 or less	52 or less		
Perfect	Metal seal	VQC4600	2.7	—	—	3.7	—	—	55 or less	57 or less	500			
	Rubber seal	VQC4601	2.8	—	—	3.9	—	—	62 or less	64 or less				



Note 1) Values represented in this column are in the following conditions:

VQC1000: Cylinder port size C6 without a back pressure check valve

VQC2000: Cylinder port size C8 without a back pressure check valve

VQC4000: Cylinder port size Rc 3/8

Note 2) Values represented in this column are based on JIS B 8375-1981 (operating with clean air and a supply pressure of 0.5 MPa. Equipped with light/surge voltage suppressor. Values vary depending on the pressure as well as the air quality.) Values for double types are when the switch is ON.

### Standard Specifications

Valve Configuration		Metal seal	Rubber seal		
Fluid		Air/Inert gas			
Valve specifications	VQC1000/2000	Max. operating pressure			
		0.7 MPa (High pressure type: 1.0 MPa) <sup>Note 4)</sup>			
		Min. operating pressure	Single	0.1 MPa	0.15 MPa
			Double	0.1 MPa	
			3 position	0.1 MPa	0.2 MPa
	4 position		—	0.15 MPa	
	VQC4000	Max. operating pressure <sup>Note 3)</sup>		1.0 MPa (0.7 MPa)	
		Min. operating pressure	Single	0.15 MPa	0.2 MPa
			Double	0.15 MPa	
	3 position	0.15 MPa	0.2 MPa		
Proof pressure		1.5 MPa			
Ambient and fluid temperature		-10 to 50°C <sup>Note 1)</sup>			
Lubrication		Not required			
Manual override		Push type/Locking type (tool required)/Locking type (Manual override) <sup>Note 5)</sup> /Slide locking type <sup>Note 5)</sup>			
Impact resistance/Vibration resistance		150/30 m/s <sup>2</sup> <sup>Note 2)</sup>			
Enclosure		Dust proof (IP67 compliant)			
Electrical specifications	Rated coil voltage		24 VDC		
	Allowable voltage fluctuation		±10% of rated voltage		
	Coil insulation type		Equivalent to B type		
	Power consumption (Current)	24 VDC	1 W DC (42 mA), 0.5 W DC (21 mA)		
		12 VDC	1 W DC (83 mA), 0.5 W DC (42 mA)		

- VQC
- SQ
- VQ0
- VQ4
- VQ5
- VQZ
- VQD

Note 1) Use dry air to prevent condensation at low temperatures.  
 Note 2) **Impact resistance:** No malfunction resulted from the impact test using a drop impact tester. The test was performed one time each in the axial and right angle directions of the main valve and armature, for both energized and de-energized states.  
**Vibration resistance:** No malfunction occurred in a one-sweep test between 45 and 2000Hz. Test was performed in the axial and right angle directions of the main valve and armature for both energized and de-energized states.  
 Note 3) Values in ( ) are for the low wattage (0.5 W) specification.  
 Note 4) Metal seal type only.  
 Note 5) Only for VQC1000/2000.

### Manifold Specifications

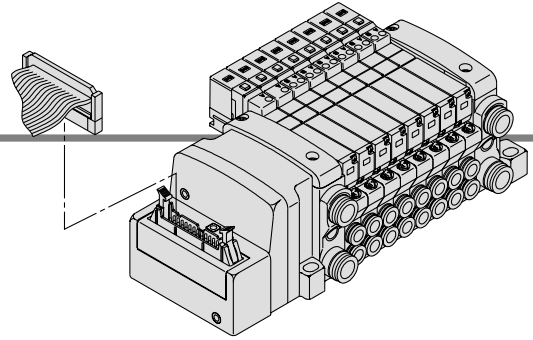
Series	Base model	Connection type	Piping specifications		Applicable stations <sup>Note 2)</sup>	Applicable solenoid valves	5 station weight (g)	
			Port direction	Port size <sup>Note 1)</sup>				
VQC1000	VV5QC11-□□□	<ul style="list-style-type: none"> <li>■ F Kit: D-sub connector</li> <li>■ P Kit: Flat cable</li> <li>■ T Kit: Terminal block box</li> <li>■ S Kit: Serial transmission</li> <li>■ L Kit: Lead wire</li> <li>■ M Kit: Multiple connector</li> </ul>	Side	1, 3 (P, R)	2, 4 (A, B)	(F, L, M and P kits) 1 to 12 stations (T kit) 1 to 10 stations (S kit) 1 to 8 stations: EX500 1 to 12 stations: EX250 1 to 8 stations: EX126	VQC1□00-5	628 (Single)
VQC2000	VV5QC21-□□□			Side	C8 (For ø8) Options Direct outlet with built-in silencer C10 (For ø10) Options Direct outlet with built-in silencer Branch type C12 (for ø12)		C3 (For ø3.2) C4 (For ø4) C6 (For ø6) M5 (M5 threads)	VQC2□00-5
VQC4000	VV5QC41-□□□		Side	P: Rc 1/2 R: Rc 3/4	C8 (For ø8) C10 (For ø10) C12 (For ø12) Rc 1/4 Rc 3/8	(F, L, M and P kits) 1 to 12 stations (T kit) 1 to 10 stations (S kit) 1 to 12 stations: EX240, EX250 1 to 8 stations: EX500 1 to 8 stations: EX126	VQC4□00-5	4150
			Bottom				VQC4□01-5	<ul style="list-style-type: none"> <li>• S kit (without unit)</li> <li>• Solenoid weight is not included.</li> </ul>

Note 1) One-touch fittings in inch sizes are also available.  
 Note 2) An optional specification for special wiring is available to increase the maximum number of stations.

Series VQC

**P** VQC1000/2000/4000  
Kit (Flat ribbon cable kit) IP40 compliant

- Using our flat ribbon cable for electrical connections greatly reduces labour, while it also minimizes wiring and saves space.
- We use flat ribbon cables whose connectors (26P and 20P) conform to MIL standards, and are therefore widely compatible with many standard commercial models.
- Top or side entry for the connector can be changed freely, allowing for changes even after mounting, to meet any changing needs for space.



Electrical Wiring Specifications

**Flat ribbon cable connector**

Double wiring (connected to SOL. A and SOL. B) is used for the internal wiring of each station regardless of valve and option types. Mixed single and double wiring are available as options. Refer to special wiring specifications (options) below.

Connector terminal number

Triangle mark indicator position

<26P>			<20P>		
Station	Terminal no.	Polarity	Station	Terminal no.	Polarity
Station 1	SOL. A 1	(-) (+)	Station 1	SOL. A 1	(-) (+)
	SOL. B 2	(-) (+)		SOL. B 2	(-) (+)
Station 2	SOL. A 3	(-) (+)	Station 2	SOL. A 3	(-) (+)
	SOL. B 4	(-) (+)		SOL. B 4	(-) (+)
Station 3	SOL. A 5	(-) (+)	Station 3	SOL. A 5	(-) (+)
	SOL. B 6	(-) (+)		SOL. B 6	(-) (+)
Station 4	SOL. A 7	(-) (+)	Station 4	SOL. A 7	(-) (+)
	SOL. B 8	(-) (+)		SOL. B 8	(-) (+)
Station 5	SOL. A 9	(-) (+)	Station 5	SOL. A 9	(-) (+)
	SOL. B 10	(-) (+)		SOL. B 10	(-) (+)
Station 6	SOL. A 11	(-) (+)	Station 6	SOL. A 11	(-) (+)
	SOL. B 12	(-) (+)		SOL. B 12	(-) (+)
Station 7	SOL. A 13	(-) (+)	Station 7	SOL. A 13	(-) (+)
	SOL. B 14	(-) (+)		SOL. B 14	(-) (+)
Station 8	SOL. A 15	(-) (+)	Station 8	SOL. A 15	(-) (+)
	SOL. B 16	(-) (+)		SOL. B 16	(-) (+)
Station 9	SOL. A 17	(-) (+)	Station 9	SOL. A 17	(-) (+)
	SOL. B 18	(-) (+)		SOL. B 18	(-) (+)
Station 10	SOL. A 19	(-) (+)	Station 10	COM 19	(+) (-)
	SOL. B 20	(-) (+)		COM 20	(+) (-)
Station 11	SOL. A 21	(-) (+)			
	SOL. B 22	(-) (+)			
Station 12	SOL. A 23	(-) (+)			
	SOL. B 24	(-) (+)			
	COM 25	(+) (-)			
	COM 26	(+) (-)			

Positive COM. spec. Negative COM. spec.

Note) When using the negative COM. specification for VQC1000/2000, use valves for negative COM.

Cable Assembly

AXT100-FC<sup>1</sup><sub>26-2</sub><sup>3</sup>

(Type 26P flat ribbon cable connector assemblies can be ordered with manifolds. Refer to manifold ordering.)

Terminal no. Red 28AWG

30 (20P) 37.5 (26P) 6 (15.6) L

**Flat ribbon cable connector assemblies (Option)**

Cable length (L)	Part no.	
	26P	20P
1.5 m	AXT100-FC26-1	AXT100-FC20-1
3 m	AXT100-FC26-2	AXT100-FC20-2
5 m	AXT100-FC26-3	AXT100-FC20-3

\* When using a standard commercial connector, use a type 26P connector conforming to MIL-C-83503 or a type 20P with strain relief.  
\* Cannot be used for transfer wiring.

**Connector Manufacturers Example:**

- Hirose Electric CO., Ltd.
- Sumitomo/3-M Limited
- Fujitsu, Ltd.
- Japan Aviation Electronics Industry, Ltd.
- J.S.T. Mfg. Co., Ltd.
- Oki Electric Cable Co., Ltd.

Special Wiring Specifications (Option)

COM. COM. COM. COM.

(For 26P) (For 20P)

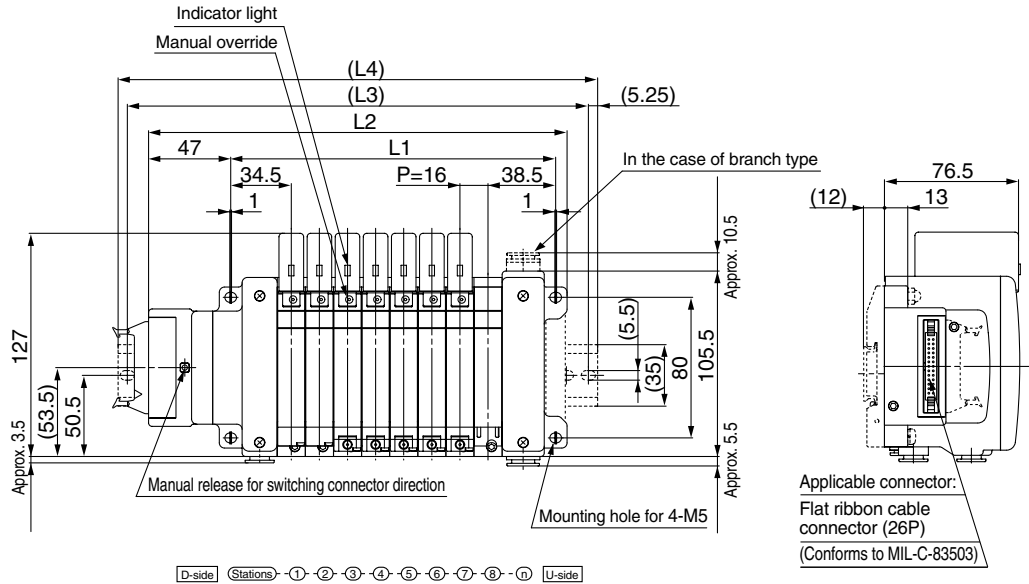
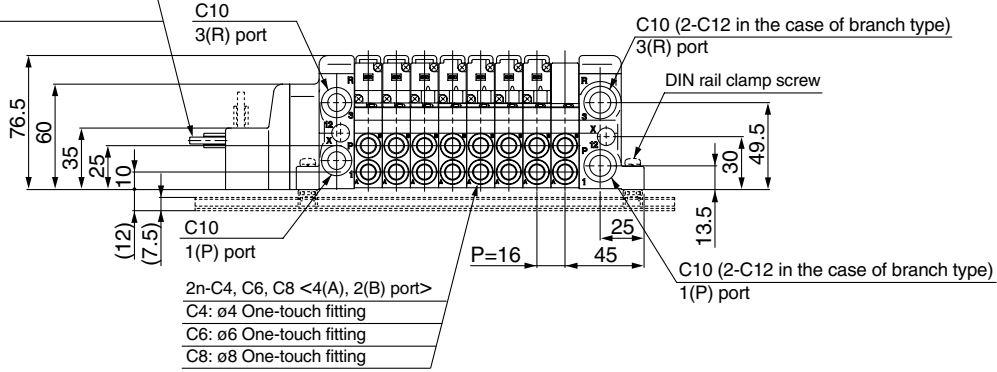
Mixed single and double wiring are available as options. The maximum number of manifold stations is determined by the number of solenoids. Count one point for a single solenoid type and two points for a double solenoid type. The total number of solenoids (points) must not exceed 24.

**P** VQC1000/2000/4000  
Kit (Flat ribbon cable kit) IP40 compliant

VV5QC21

Flat ribbon cable connector assembly (26P)

- AXT100-FC26-1: 1.5 m
- AXT100-FC26-2: 3 m
- AXT100-FC26-3: 5 m



Applicable connector:  
Flat ribbon cable connector (26P)  
(Conforms to MIL-C-83503)

Formulas

$L1 = 16n + 57$  (Maximum 24 single wiring stations)

$L2 = 16n + 110.5$

n: Stations

L \ n	1	2	3	4	5	6	7	8	9	10	11	12	13	14	15	16	17	18	19	20	21	22	23	24
L1	73	89	105	121	137	153	169	185	201	217	233	249	265	281	297	313	329	345	361	377	393	409	425	441
L2	126.5	142.5	158.5	174.5	190.5	206.5	222.5	238.5	254.5	270.5	286.5	302.5	318.5	334.5	350.5	366.5	382.5	398.5	414.5	430.5	446.5	462.5	478.5	494.5
L3	150	162.5	187.5	200	212.5	237.5	250	262.5	275	300	312.5	325	350	362.5	375	387.5	412.5	425	437.5	450	475	487.5	500	525
L4	160.5	173	198	210.5	223	248	260.5	273	285.5	310.5	323	335.5	360.5	373	385.5	398	423	435.5	448	460.5	485.5	498	510.5	535.5

\* With signal cut block, L4 is obtained by adding approximately 30 mm to L2.