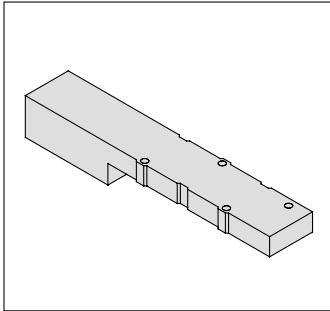
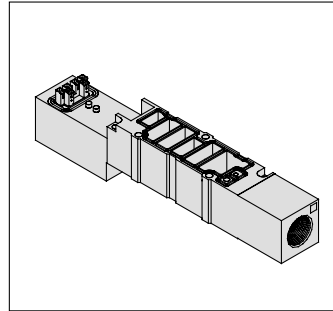


Manifold Option

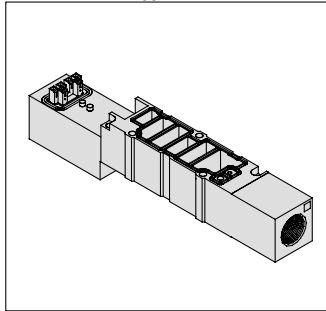
Blanking plate assembly
VVQ4000-10A-1



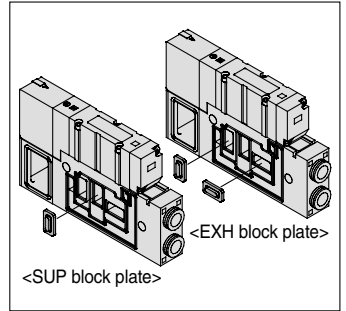
Individual SUP spacer
VVQ4000-P-1-02
03



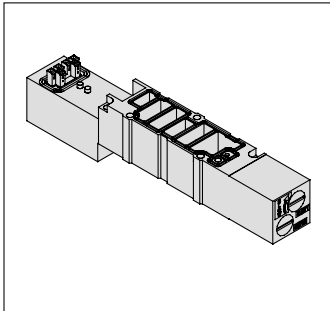
Individual EXH spacer
VVQ4000-R-1-02
03



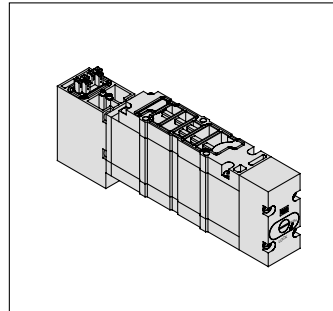
SUP/EXH block plate
VVQ4000-16A



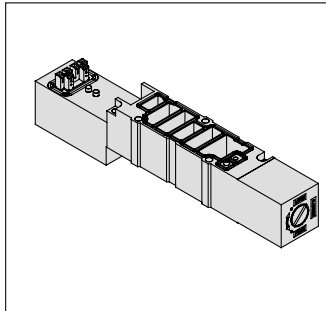
Throttle valve spacer
VVQ4000-20A-1



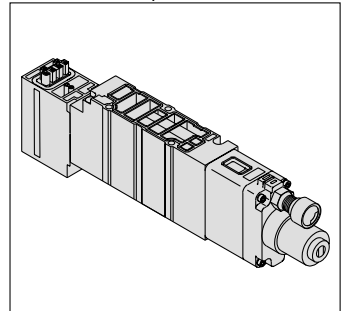
Residual pressure release valve
perfect spacer
VVQ4000-25A-1 (Note 1)



SUP stop valve spacer
VVQ4000-37A-1



Interface regulator
ARBQ4000-00-0-1



VQC

SQ

VQ0

VQ4

VQ5

VQZ

VQD



Note 1) Perfect spacers with residual pressure release valve cannot be combined with external pilot specifications.

Series VQC

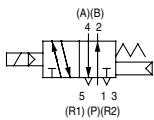
Base Mounted

Plug-in Unit

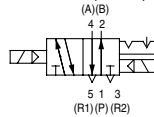


JIS Symbol

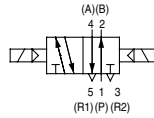
2 position single



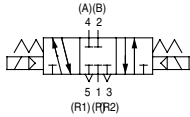
2 position double (metal)



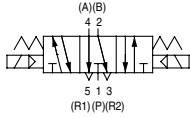
2 position double (rubber)



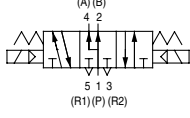
3 position closed center



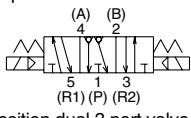
3 position exhaust center



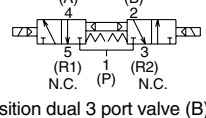
3 position pressure center



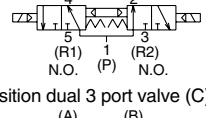
3 position exhaust center with pressure release valves



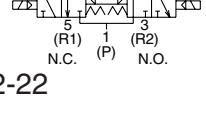
4 position dual 3 port valve (A)



4 position dual 3 port valve (B)



4 position dual 3 port valve (C)



2-2-22

Model

Series	No. of solenoids	Model	Flow characteristics						Response time (ms) ^{Note 2)}		Weight (g)			
			1 → 4, 2 (P → A, B)			4, 2 → 5, 3 (A, B → R1, R2)			Standard: 1 W	Low wattage				
			C[dm ³ /(s·bar)]	b	Cv	C[dm ³ /(s·bar)]	b	Cv						
VQC1000	2 position	Single	Metal seal	VQC1100	0.70	0.15	0.16	0.72	0.25	0.18	12 or less	15 or less	64	
			Rubber seal	VQC1101	0.85	0.20	0.21	1.0	0.30	0.25	15 or less	20 or less		
		Double	Metal seal	VQC1200	0.70	0.15	0.16	0.72	0.25	0.18	10 or less	13 or less		
			Rubber seal	VQC1201	0.85	0.20	0.21	1.0	0.30	0.25	15 or less	20 or less		
	3 position	Closed center	Metal seal	VQC1300	0.68	0.15	0.16	0.72	0.25	0.18	20 or less	26 or less		78
			Rubber seal	VQC1301	0.70	0.20	0.16	0.65	0.42	0.18	25 or less	33 or less		
		Exhaust center	Metal seal	VQC1400	0.68	0.15	0.16	0.72	0.25	0.18	20 or less	26 or less		
			Rubber seal	VQC1401	0.70	0.20	0.16	1.0	0.30	0.25	25 or less	33 or less		
Pressure center		Metal seal	VQC1500	0.70	0.15	0.16	0.72	0.25	0.18	20 or less	26 or less			
		Rubber seal	VQC1501	0.85	0.20	0.21	0.65	0.42	0.18	25 or less	33 or less			
4 position	Dual 3 port valve	Rubber seal	VQC1 ^A _C 01	0.70	0.20	0.16	0.70	0.20	0.16	25 or less	33 or less			
VQC2000	2 position	Single	Metal seal	VQC2100	2.0	0.15	0.46	2.6	0.15	0.60	22 or less	29 or less	90	
			Rubber seal	VQC2101	2.2	0.28	0.55	3.2	0.30	0.80	24 or less	31 or less		
		Double	Metal seal	VQC2200	2.0	0.15	0.46	2.6	0.15	0.60	15 or less	20 or less		
			Rubber seal	VQC2201	2.2	0.28	0.55	3.2	0.30	0.80	20 or less	26 or less		
	3 position	Closed center	Metal seal	VQC2300	2.0	0.15	0.46	2.0	0.18	0.46	29 or less	38 or less	110	
			Rubber seal	VQC2301	2.0	0.28	0.49	2.2	0.31	0.60	34 or less	44 or less		
		Exhaust center	Metal seal	VQC2400	2.0	0.15	0.46	2.6	0.15	0.60	29 or less	38 or less		
			Rubber seal	VQC2401	2.0	0.28	0.49	3.2	0.30	0.80	34 or less	44 or less		
		Pressure center	Metal seal	VQC2500	2.4	0.17	0.57	2.0	0.18	0.46	29 or less	38 or less		
			Rubber seal	VQC2501	3.2	0.28	0.80	2.2	0.31	0.60	34 or less	44 or less		
4 position	Dual 3 port valve	Rubber seal	VQC2 ^A _C 01	1.8	0.28	0.46	1.8	0.28	0.46	34 or less	44 or less			
VQC4000	2 position	Single	Metal seal	VQC4100	6.2	0.19	1.5	6.9	0.17	1.7	20 or less	22 or less	230	
			Rubber seal	VQC4101	7.2	0.43	2.1	7.3	0.38	2.0	25 or less	27 or less		
		Double	Metal seal	VQC4200	6.2	0.19	1.5	6.9	0.17	1.7	12 or less	12 or less		
			Rubber seal	VQC4201	7.2	0.43	2.1	7.3	0.38	2.0	15 or less	15 or less		
	3 position	Closed center	Metal seal	VQC4300	5.9	0.23	1.5	6.3	0.18	1.6	45 or less	47 or less	280	
			Rubber seal	VQC4301	7.0	0.34	1.9	6.4	0.42	1.9	50 or less	52 or less		
		Exhaust center	Metal seal	VQC4400	6.2	0.18	1.5	6.9	0.17	1.7	45 or less	47 or less		
			Rubber seal	VQC4401	7.0	0.38	1.9	7.3	0.38	2.0	50 or less	52 or less		
		Pressure center	Metal seal	VQC4500	6.2	0.18	1.9	6.4	0.18	1.6	45 or less	47 or less		
			Rubber seal	VQC4501	7.0	0.38	1.9	7.1	0.38	2.0	50 or less	52 or less		
Perfect	Metal seal	VQC4600	2.7	—	—	3.7	—	—	55 or less	57 or less	500			
	Rubber seal	VQC4601	2.8	—	—	3.9	—	—	62 or less	64 or less				



Note 1) Values represented in this column are in the following conditions:

- VQC1000: Cylinder port size C6 without a back pressure check valve
- VQC2000: Cylinder port size C8 without a back pressure check valve
- VQC4000: Cylinder port size Rc 3/8

Note 2) Values represented in this column are based on JIS B 8375-1981 (operating with clean air and a supply pressure of 0.5 MPa. Equipped with light/surge voltage suppressor. Values vary depending on the pressure as well as the air quality.) Values for double types are when the switch is ON.

Standard Specifications

Valve Configuration		Metal seal		Rubber seal		
		Air/Inert gas				
Valve specifications	VQC1000/2000	Max. operating pressure		0.7 MPa (High pressure type: 1.0 MPa) ^{Note 4)}		
		Min. operating pressure	Single	0.1 MPa	0.15 MPa	
			Double	0.1 MPa		
			3 position	0.1 MPa	0.2 MPa	
			4 position	—	0.15 MPa	
	VQC4000	Max. operating pressure ^{Note 3)}		1.0 MPa (0.7 MPa)		
		Min. operating pressure	Single	0.15 MPa	0.2 MPa	
			Double	0.15 MPa		
	3 position	0.15 MPa	0.2 MPa			
	Proof pressure		1.5 MPa			
Ambient and fluid temperature		-10 to 50°C ^{Note 1)}				
Lubrication		Not required				
Manual override		Push type/Locking type (tool required)/Locking type (Manual override) ^{Note 5)} /Slide locking type ^{Note 5)}				
Impact resistance/Vibration resistance		150/30 m/s ² ^{Note 2)}				
Enclosure		Dust proof (IP67 compliant)				
Electrical specifications	Rated coil voltage		24 VDC			
	Allowable voltage fluctuation		±10% of rated voltage			
	Coil insulation type		Equivalent to B type			
	Power consumption (Current)	24 VDC	1 W DC (42 mA), 0.5 W DC (21 mA)			
		12 VDC	1 W DC (83 mA), 0.5 W DC (42 mA)			

- VQC
- SQ
- VQ0
- VQ4
- VQ5
- VQZ
- VQD

Note 1) Use dry air to prevent condensation at low temperatures.
 Note 2) **Impact resistance:** No malfunction resulted from the impact test using a drop impact tester. The test was performed one time each in the axial and right angle directions of the main valve and armature, for both energized and de-energized states.
Vibration resistance: No malfunction occurred in a one-sweep test between 45 and 2000Hz. Test was performed in the axial and right angle directions of the main valve and armature for both energized and de-energized states.
 Note 3) Values in () are for the low wattage (0.5 W) specification.
 Note 4) Metal seal type only.
 Note 5) Only for VQC1000/2000.

Manifold Specifications

Series	Base model	Connection type	Piping specifications		Applicable stations ^{Note 2)}	Applicable solenoid valves	5 station weight (g)
			Port direction	Port size ^{Note 1)}			
VQC1000	VV5QC11-□□□	<ul style="list-style-type: none"> ■ F Kit: D-sub connector ■ P Kit: Flat cable ■ T Kit: Terminal block box ■ S Kit: Serial transmission ■ L Kit: Lead wire ■ M Kit: Multiple connector 	Side	C8 (For ø8) Options Direct outlet with built-in silencer C3 (For ø3.2) C4 (For ø4) C6 (For ø6) M5 (M5 threads)	(F, L, M and P kits) 1 to 12 stations T kit 1 to 10 stations S kit 1 to 8 stations: EX500 1 to 12 stations: EX250 1 to 8 stations: EX126	VQC1□00-5 VQC1□01-5	628 (Single) 759 (Double, 3P)
VQC2000	VV5QC21-□□□		Side	C10 (For ø10) Options Direct outlet with built-in silencer Branch type C12 (for ø12) C4 (For ø4) C6 (For ø6) C8 (For ø8)	1 to 8 stations: EX500 1 to 12 stations: EX250 1 to 8 stations: EX126	VQC2□00-5 VQC2□01-5	1051 (Single) 1144 (Double, 3P)
VQC4000	VV5QC41-□□□		Side	C8 (For ø8) C10 (For ø10) C12 (For ø12) Rc 1/4 Rc 3/8	(F, L, M and P kits) 1 to 12 stations T kit 1 to 10 stations S kit 1 to 12 stations: EX240, EX250 1 to 8 stations: EX500 1 to 8 stations: EX126	VQC4□00-5 VQC4□01-5	4150 • S kit (without unit) • Solenoid weight is not included.
			Bottom	Rc 1/4			

Note 1) One-touch fittings in inch sizes are also available.
 Note 2) An optional specification for special wiring is available to increase the maximum number of stations.

Series VQC

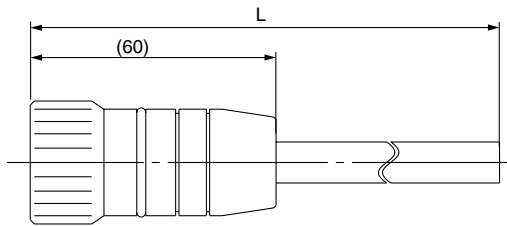
Manifold Option

■ Circular connector/Cable assembly (26 pins)

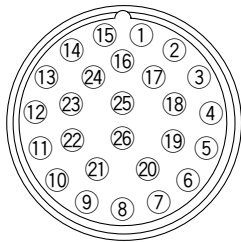
AXT100 – MC26 – □

Lead Wire Length

Part no.	L dimension
AXT100-MC26-015	1.5 m
AXT100-MC26-030	3 m
AXT100-MC26-050	5 m



Plug terminal no.
(arrangement as seen from lead wire side)



Circular Connector Cable Assembly Terminal No.

Terminal no.	Lead wire color	Dot marking
①	Black	None
②	Brown	None
③	Red	None
④	Orange	None
⑤	Yellow	None
⑥	Pink	None
⑦	Blue	None
⑧	Purple	White
⑨	Gray	Black
⑩	White	Black
⑪	White	Red
⑫	Yellow	Red
⑬	Orange	Red
⑭	Yellow	Black
⑮	Pink	Black
⑯	Blue	White
⑰	Purple	None
⑱	Gray	None
⑲	Orange	Black
⑳	Red	White
㉑	Brown	White
㉒	Pink	Red
㉓	Gray	Red
㉔	Black	White
㉕	White	None

Note) Terminal no. ㉖ is connected to ㉕ inside the connector.

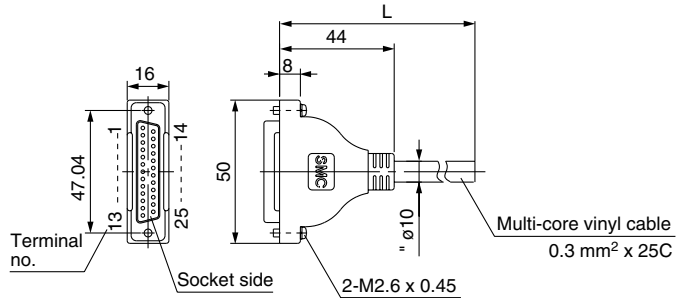
■ D-sub connector/Cable assembly (25 pins)

AXT100 – DS25 – □

Lead Wire Length

Part no.	L dimension
AXT100-DS25-015	1.5 m
AXT100-DS25-030	3 m
AXT100-DS25-050	5 m

When a commercially available connector is required, use a 25 pin female connector conforming to MIL-C24308.



D-sub Connector Cable Assembly Terminal No.

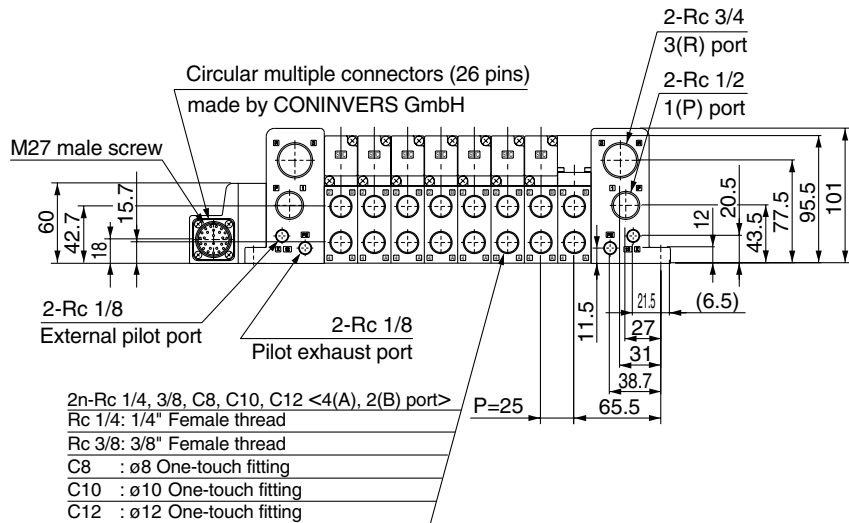
Terminal no.	Lead wire color	Dot marking
①	Black	None
②	Brown	None
③	Red	None
④	Orange	None
⑤	Yellow	None
⑥	Pink	None
⑦	Blue	None
⑧	Purple	White
⑨	Gray	Black
⑩	White	Black
⑪	White	Red
⑫	Yellow	Red
⑬	Orange	Red
⑭	Yellow	Black
⑮	Pink	Black
⑯	Blue	White
⑰	Purple	None
⑱	Gray	None
⑲	Orange	Black
⑳	Red	White
㉑	Brown	White
㉒	Pink	Red
㉓	Gray	Red
㉔	Black	White
㉕	White	None

Circular Connector, D-sub Connector Cable Assembly Electric Characteristics

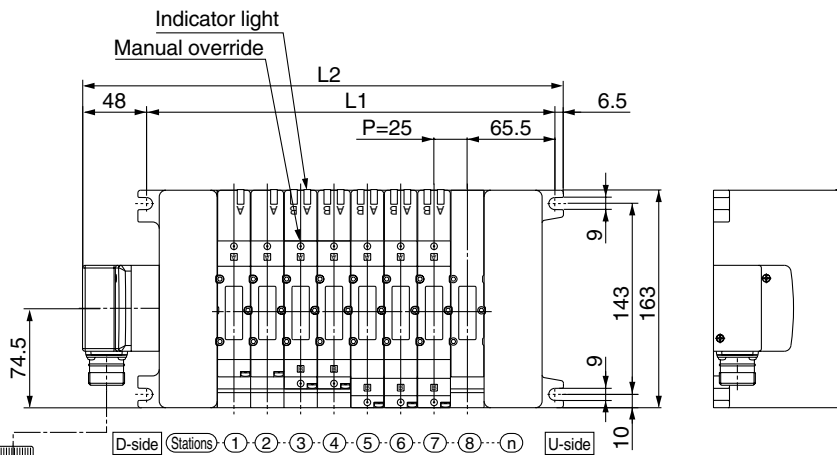
Item	Characteristics
Conductor resistance W/km, 20°C	65 or less
Withstand voltage VAC, 1 min.	1000
Insulation resistance, M/km, 20°C	5 or less

Note) The minimum inside bending radius for each cable is 20 mm.

VV5QC41



- VQC
- SQ
- VQ0
- VQ4
- VQ5
- VQZ
- VQD



Multiple connector cable assembly

Formulas

$L1 = 25n + 106$ (Maximum 16 single wiring stations)

$L2 = 25n + 160.5$

n: Stations

L \ n	1	2	3	4	5	6	7	8	9	10	11	12	13	14	15	16
L1	131	156	181	206	231	256	281	306	331	356	381	406	431	456	481	506
L2	185.5	210.5	235.5	260.5	285.5	310.5	335.5	360.5	385.5	410.5	435.5	460.5	485.5	510.5	535.5	560.5