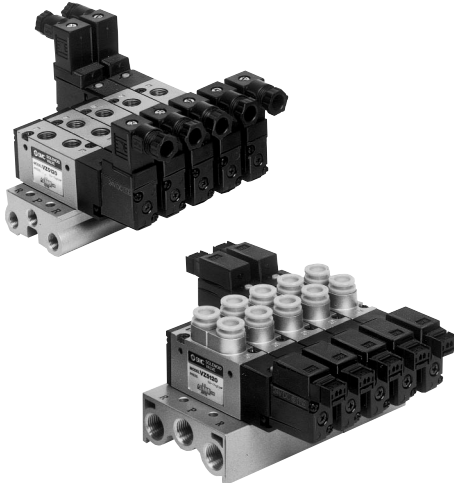


# Series VZ5000/Body Ported Manifold



## Standard Manifold



### Specifications

Model		20 type	21 type
Manifold style		Single base/B mount	
P (SUP), R (EXH)		Common SUP and EXH	
Valve stations		2 to 15	2 to 20
A, B port position		Valve	
Port size	P/R port	Rc(PT)1/8	Rc(PT)1/4
	A/B port	Rc(PT)1/8, C6, C8	
Valve effective area (mm <sup>2</sup> ) (Cv) <sup>(1)</sup>	VZ5□2□	Rc(PT)1/8: 11 (0.6)	Rc(PT)1/8: 11 (0.6)
		C6: 8.6 (0.48) C8: 9.9 (0.55)	C6: 8.6 (0.48) C8: 9.9 (0.55)



Note 1) Value at manifold base mounted, 2 position single operating

### How to Order Manifold Base

To order valves, blank plate assembly and connector assembly mounted onto the manifold, list valves and blank plate assembly with manifold base.

(Sample) VV5Z5-20-031- .....1 pc. (Manifold base)

VZ5120-5G-01 .....2 pcs. (Valve)

DXT199-22-1A .....1 pc. (Blank plate assembly)

SY

SYJ

SX

VK

VZ

VF

VFR

VP7

VP4

## Flat Cable Manifold

- One-touch wiring to consolidate connection of external wires.
- Organized appearance

The flat cable provides wiring on a printed circuit board to the individual valves at the manifold base, enabling the consolidation of external wiring at a touch through a 26 pin MIL connector.



### Specifications

Model		21P type
Manifold style		Single base/B mount
P (SUP), R (EXH)		Common SUP and EXH
Valve stations		3 to 12
A, B port position		Valve
Port size	P/R port	Rc(PT)1/4
	A/B port	Rc(PT)1/8, C6, C8
Valve effective area (mm <sup>2</sup> ) (Cv) <sup>(1)</sup>	VZ5□23	Rc(PT)1/8: 11 (0.6)
		C6: 8.6 (0.48) C8: 9.9 (0.55)
Applicable flat cable connector		Socket: 26 pin MIL, with strain relief (Applicable for MIL-C-83503)
Internal wiring		+ COM (Contact SMC regarding - COM)
Applicable solenoid valve		VZ5□23- <sup>1</sup> / <sub>5</sub> MOZ□- <sup>01</sup> / <sub>C6</sub> <sup>01</sup> / <sub>C8</sub>
Rated voltage		100V AC 50/60Hz, 110V AC 50/60Hz, 24V DC, 12V DC



Note 1) Value at manifold base mounted, 2 position single operating

Note 2) Withstand voltage specification of wiring unit part is equivalent to JIS C0704 class 1.

### How to Order Manifold Base

To order valves, blank plate assembly and connector assembly mounted onto the manifold, list valves and blank plate assembly with manifold base.

(Sample) VV5Z5-21P-07- .....1 pc. (Manifold base) DXT199-22-3A .....1 pc. (Blank plate assembly)

VZ5123-5MOZ-C8 .....3 pcs. (Valve) DXT192-52-1-4A .....3 pcs. (Connector assembly)

VZ5223-5MOZ-C8 .....3 pcs. (Valve) DXT192-52-2-4A .....3 pcs. (Connector assembly)

VQ

VQ4

VQZ

VQD

VZS

VFS

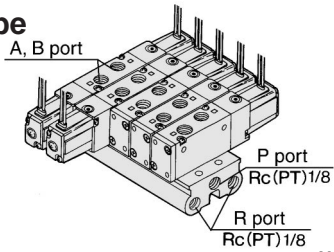
VS

VS7

# VZ5000

## Common SUP/Common EXH

### 20 Type



#### How to Order

VV5Z5-20-05 1

Stations	
02	2 stations
⋮	⋮
15	15 stations

Note) If there are more than 6 stations, supply air to P port and exhaust from R port on both sides of the manifold.

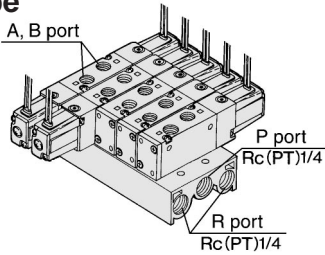
#### Applicable solenoid valve

VZ5□2□-□<sup>G</sup>□□-<sup>01</sup><sub>D</sub>□□-<sup>C6</sup><sub>C8</sub>

Applicable blank plate assembly  
DXT199-22-1A

Applicable individual EXH spacer assembly  
DXT199-29-1A

### 21 Type



#### How to Order

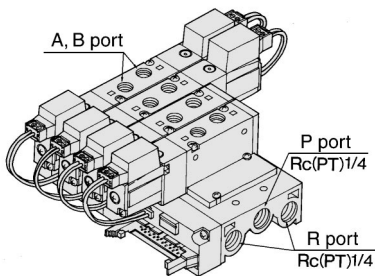
VV5Z5-21-05 1

Stations	
02	2 stations
⋮	⋮
20	20 stations



Note) If there are more than 10 stations, supply air to P port and exhaust from R port on both sides of the manifold.

### Flat Cable 21P Type



#### How to Order

VV5Z5-21P-05

Stations	
03	3 stations
⋮	⋮
12	12 stations

#### Applicable solenoid valve

VZ5□23-<sup>1</sup>/<sub>6</sub>□M0Z□-<sup>01</sup><sub>C6</sub>□□-<sup>C8</sup>

Applicable blank plate assembly  
DXT199-22-3A

Applicable connector assembly  
DXT192-52-1-□A

(For 2 position single)

DXT192-52-1-□A

(For 2 position double / 3 position)

\* 1:100V AC, 3:110V AC, 4:DC

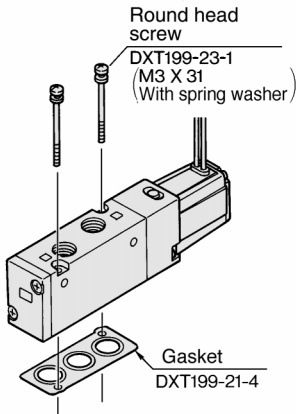
Refer to p.1.5-7 regarding how to order applicable connector assembly.



Note) If there are more than 10 stations, supply air to P port and exhaust from R port on both sides of the manifold.

## Option

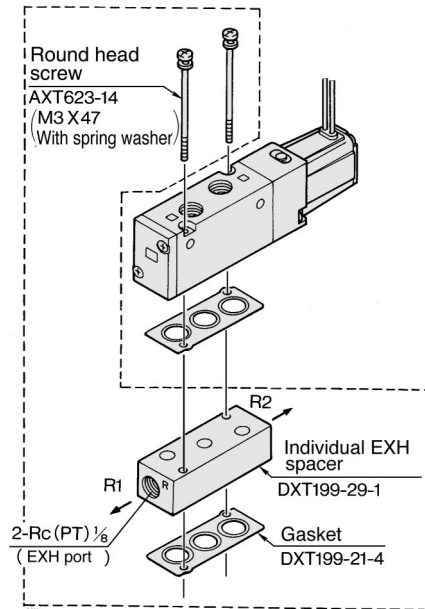
### Combinations of Solenoid Valve, Manifold Gasket and Manifold Base



#### Applicable base


VV5Z5-20  
VV5Z5-21  
VV5Z5-21P

### Individual EXH Spacer Assembly DXT199-29-1A



#### Applicable base

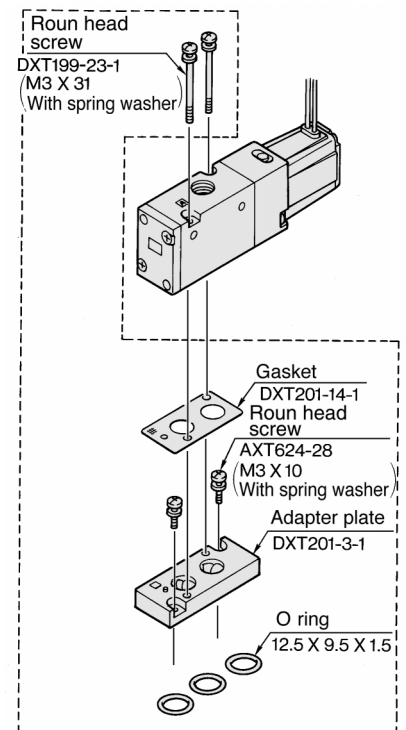
VV5Z5-20  
VV5Z5-21

 Note) Contact SMC when using an individual SUP spacer assembly, an individual EXH spacer assembly, or an adapter plate assembly on 20P.

### Mounting the VZ500 Series on the VZ5000 Series Manifold:

- Mixed mounting of the VZ500 Series on the VZ5000 Series manifold base is possible through the use of an adapter plate.
- The mounting direction is shown in the diagram below. Mount the solenoid so that it will be on the same side as the single solenoid of the VZ5000 Series.

### Adapter Plate Assembly DXT201-3-1A

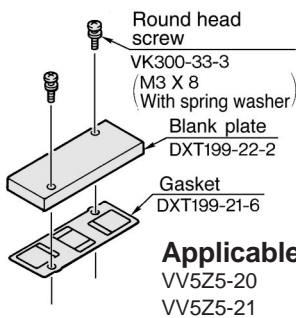


#### Applicable base

VV5Z5-20  
VV5Z5-21

### Blank Plate Assembly

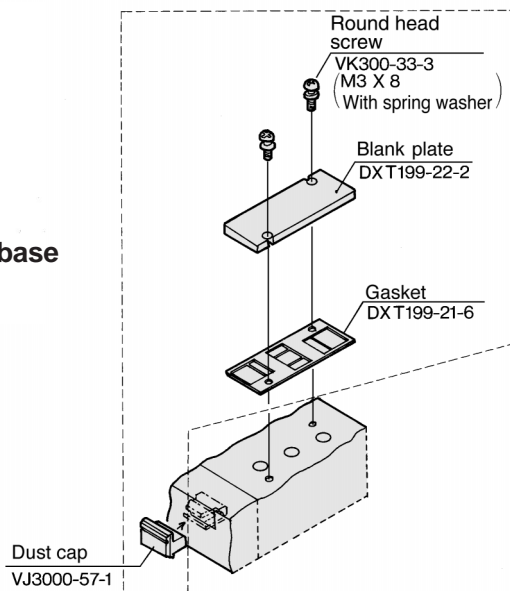
#### DXT199-22-1A



#### Applicable base

VV5Z5-20  
VV5Z5-21

#### DXT199-22-3A



#### Applicable base

VV5Z5-21P

SY

SYJ

SX

VK

VZ

VF

VFR

VP7

VP4

VQ

VQ4

VQZ

VQD

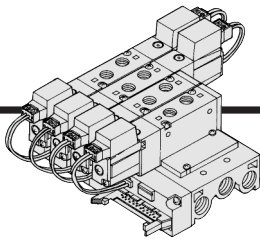
VZS

VFS

VS

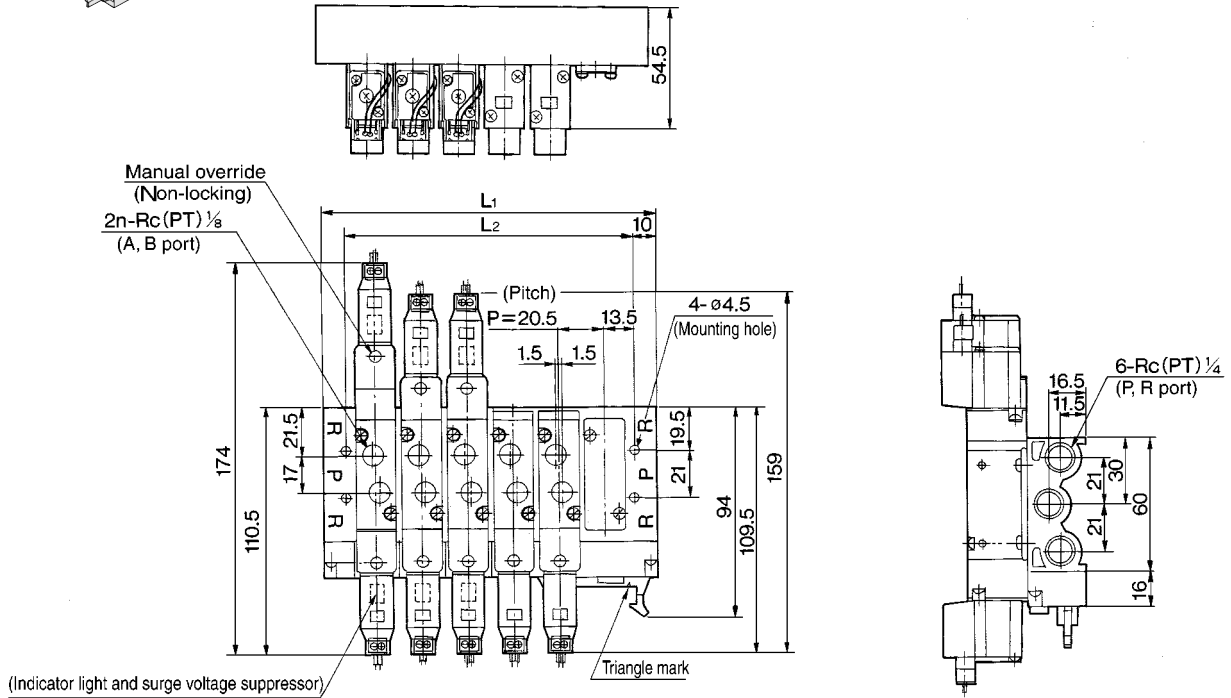
VS7

# VZ5000

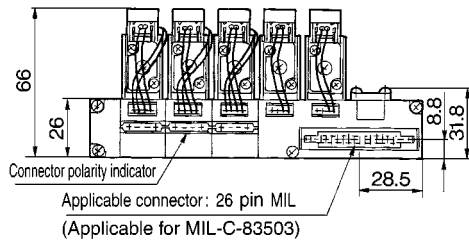


## 21P Type Manifold

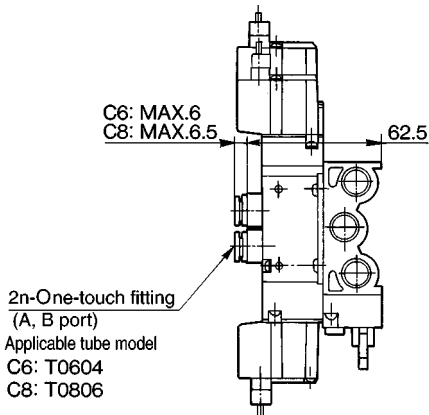
VV5Z5-21P-Station



(n<sup>th</sup> station).....(1st station)



### Built-in One-touch fitting



Station	3	4	5	6	7	8	9	10	11	12
L1	88	108.5	129	149.5	170	190.5	211	231.5	252	272.5
L2	68	109	109	129.5	150	170.5	191	211.5	232	252.5

(mm)