

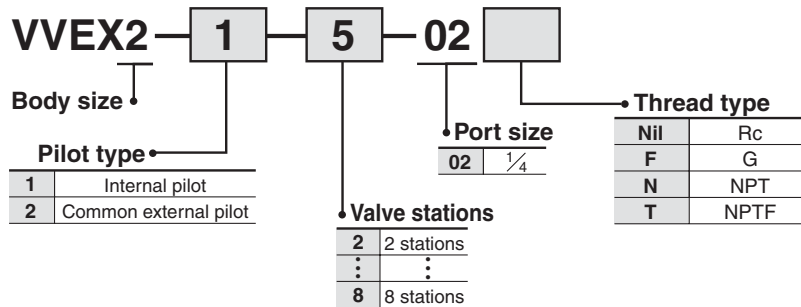
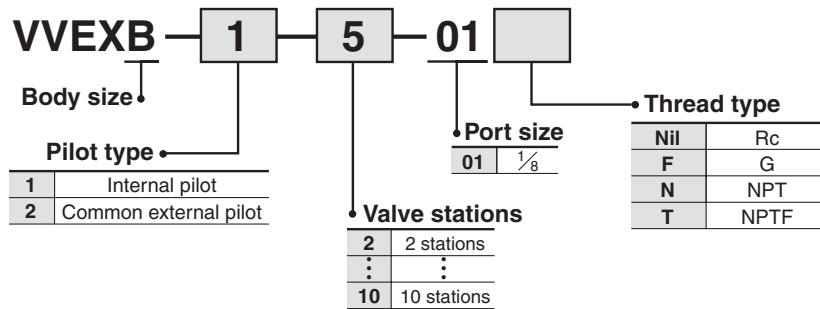
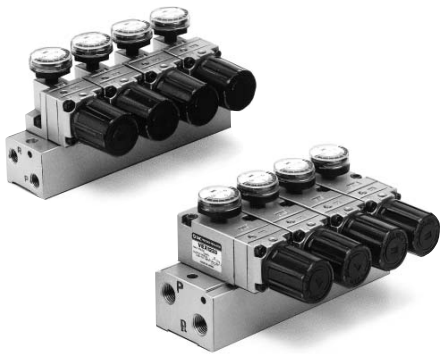
# Series VEX1□3<sup>0</sup><sub>3</sub> Manifold Specifications

## Specifications

Applicable valve	VEX1B33		VEX123 <sup>0</sup> <sub>3</sub>							
Valve stations	2 to 10 stations (Note)		2 to 8 stations (Note)							
Air passage	Common supply/exhaust									
Pilot	Internal pilot	Common external pilot	Internal pilot	Common external pilot						
Pilot port size	—		M5 x 0.8							
Port size P, A, R port	1/8		1/4							
Blanking plate	<b>VEXB-5</b> (With gasket and mounting bolt) <table border="1"> <tr> <td colspan="2">Gasket material</td> </tr> <tr> <td>Nil</td> <td>NBR seals</td> </tr> <tr> <td>B</td> <td>FKM seals</td> </tr> </table>		Gasket material		Nil	NBR seals	B	FKM seals	<b>VEX1-17</b> (With gasket and mounting bolt)	
Gasket material										
Nil	NBR seals									
B	FKM seals									

Note) Pressurize to P port and exhaust from R port on the both sides for six stations or more of "VEX1B33" and/or five stations or more of "VEX1233".

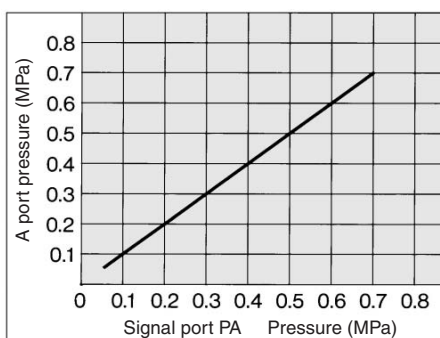
## How to Order



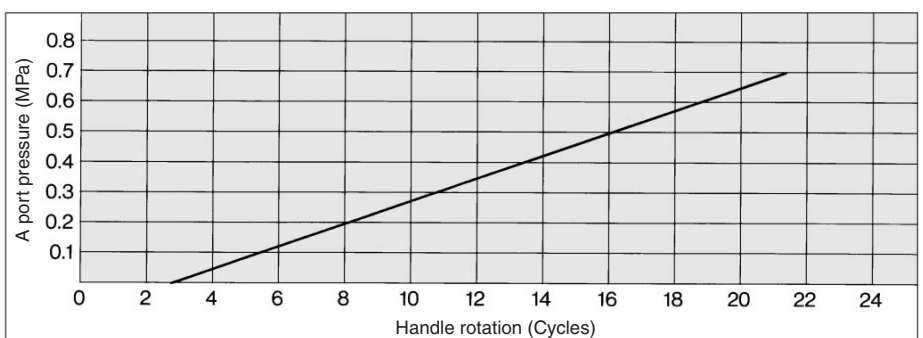
List symbols in the order of valves and blank plates for manifolds from the lefthand side (A port faces this side) of the manifold base.

Ex.) **VVEX2-2-5-02**  
 \*VEX1233-G — 4 pieces  
 \*VEX1-17 — 1 piece

## Set Pressure Characteristics (Air operated type)



## Set Pressure Characteristics (Manual handle type)



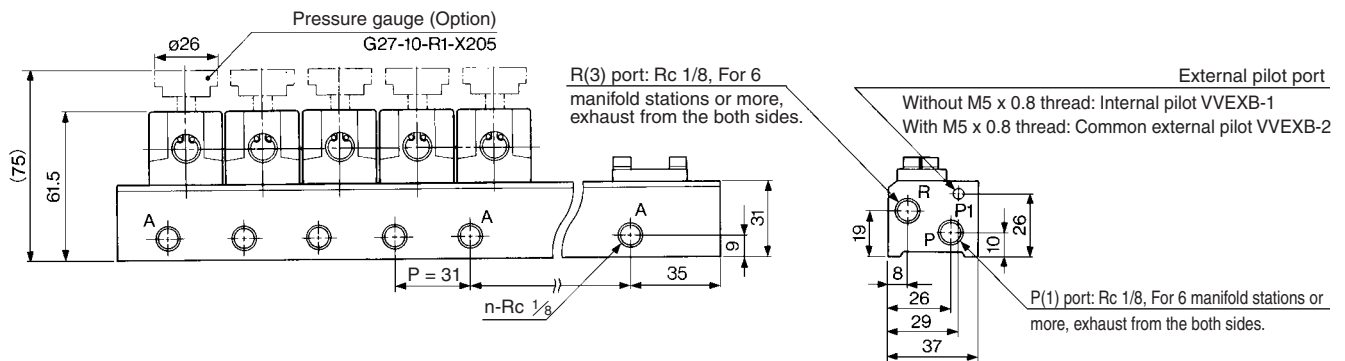
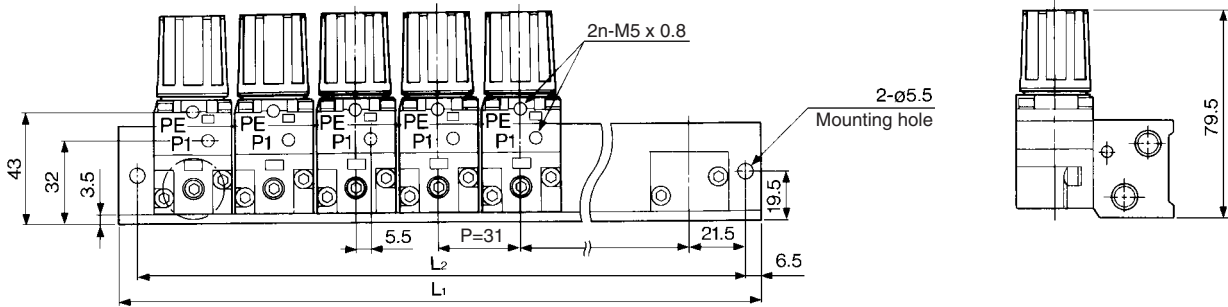
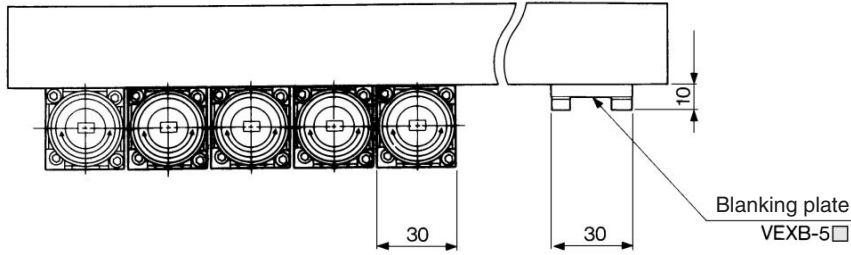
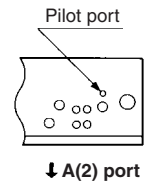
# Series VEX1□3<sub>3</sub><sup>0</sup>



Manifold: VVEXB-□-□-01

Applicable valve: VEX1B33

Valve mounting side



## L Dimension

L<sub>1</sub> = 31n + 25, L<sub>2</sub> = 31n + 12 n: Station

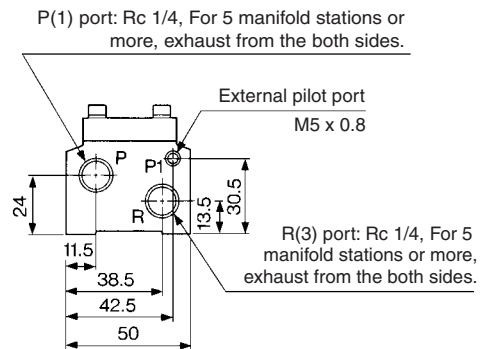
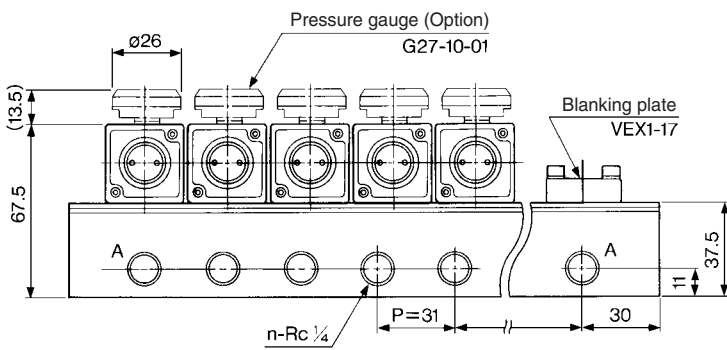
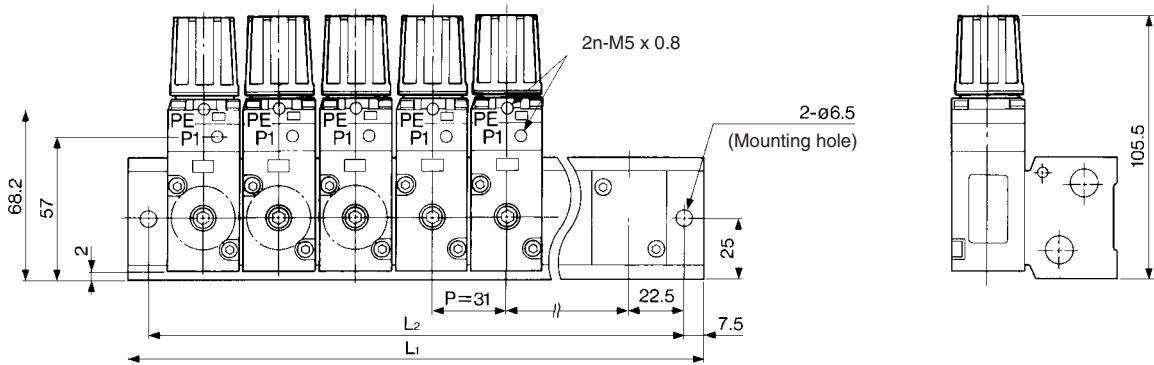
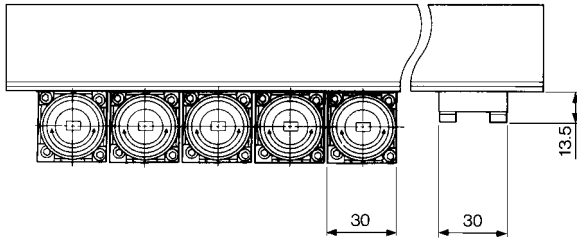
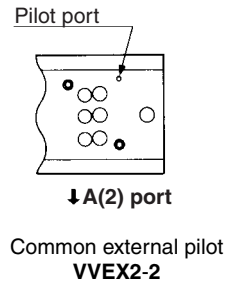
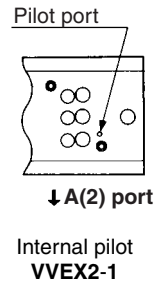
Symbol	n	2	3	4	5	6	7	8	9	10
L <sub>1</sub>		87	118	149	180	211	242	273	304	335
L <sub>2</sub>		74	105	136	167	198	229	260	291	322



**Manifold: VVEX2-□-□-02**

**Applicable valve: VEX123<sub>3</sub>**

**Valve mounting side**



**L Dimension** Equation  $L_1 = 31n + 29$ ,  $L_2 = 31n + 14$  n: Station

Symbol	n	2	3	4	5	6	7	8
L <sub>1</sub>		91	122	153	184	215	246	277
L <sub>2</sub>		76	107	138	169	200	231	262

F.R.L.

AV

AU

AF

AR

IR

**VEX**

AMR

ITV

IC

VBA

VE□

VY1

G

PPA

AL