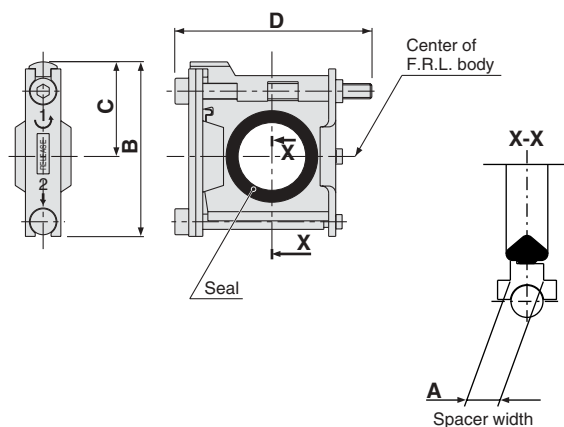
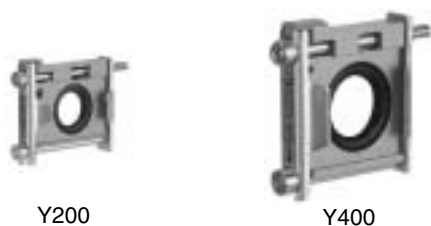


Series AC Spacers and Brackets Accessories

Spacer (X)



Model	A	B	C	D	Applicable model
Y100	6	27	15	33	AC10, AC10A, AC10B
Y200	3	35.5	18.5	48	AC20□
Y300	4	47	26	59	AC25□, AC30□
Y400	5	57	31	65	AC40□
Y500	5	61	33	70	AC40□-06
Y600	6	75.5	41	86	AC50, AC55, AC60 AC50B, AC55B, AC60B

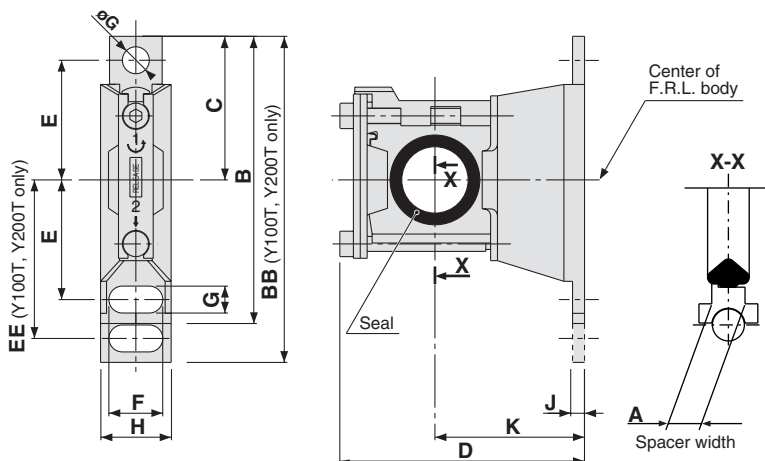
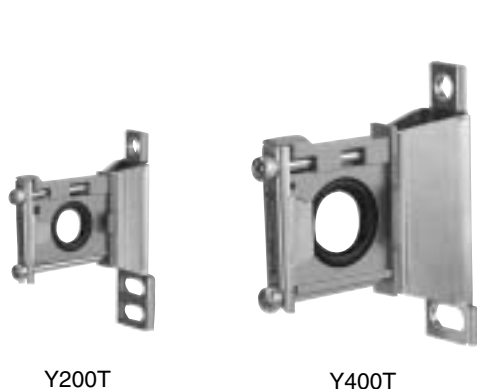
Replacement parts

Description	Material	Part no.					
		Y100	Y200	Y300	Y400	Y500	Y600
Seal	HNBR ^{Note 2)}	Y100P-060AS ^{Note 1)}	Y200P-060S	Y300P-060S	Y400P-060S	Y500P-060S	Y600P-060S

Note 1) Y-100 comes with 2 O-rings.

Note 2) NBR seal is used for Y100 spacer because of no direct contact with fluid.

Spacer with Bracket (Z)



Model	A	B	BB	C	D	E	EE	F	G	øG	H	J	K	Applicable model
Y100T	6	—	56	24.5	40.5	20	27	6.8	4.5	4.5	14	2.8	25	AC10□
Y200T	3	—	67	29	53	24	33	12	5.5	5.5	19	3.2	30	AC20□
Y300T	4	82	—	41	68	35	—	14	7	7	21	4	41	AC25□, AC30□
Y400T	5	96	—	48	81.5	40	—	18	9	9	26	4	50	AC40□
Y500T	5	96	—	48	86	40	—	18	9	9	27	4.6	50	AC40□-06
Y600T	6	120	—	60	112	50	—	20	11	11	31	6.4	70	AC50, AC55, AC60, AC50B, AC55B, AC60B

Replacement parts

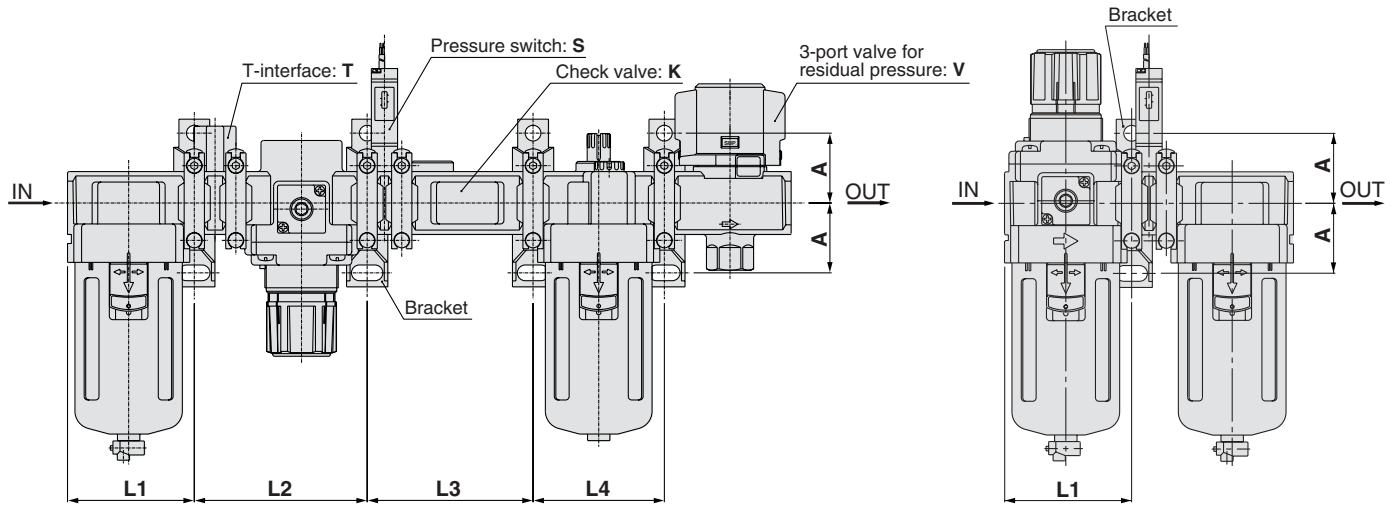
Description	Material	Part no.					
		Y100T	Y200T	Y300T	Y400T	Y500T	Y600T
Seal	HNBR ^{Note 2)}	Y100P-060AS ^{Note 1)}	Y200P-060S	Y300P-060S	Y400P-060S	Y500P-060S	Y600P-060S

Note 1) Y-100T comes with 2 O-rings.

Note 2) NBR seal is used for Y100T spacer because of no direct contact with fluid.

Series AC

Mounting Position for Spacer with Bracket



Attachment Model	K			S		T		V			KS			KT			KV				KST		
	L1	L2	L3	L1	L2	L1	L2	L1	L2	L3	L1	L2	L3	L1	L2	L3	L1	L2	L3	L4	L1	L2	L3
AC10	—	—	—	—	—	28	48	—	—	—	—	—	—	—	—	—	—	—	—	—	—	—	—
AC20	41.5	43	43	41.5	43	41.5	61	41.5	43	43	41.5	43	57	41.5	61	43	41.5	43	43	43	41.5	61	57
AC25	55	57	57	55	57	55	76	55	57	57	55	57	74	55	76	57	55	57	57	57	55	76	74
AC30	55	57	57	55	57	55	76	55	57	57	55	57	74	55	76	57	55	57	57	57	55	76	74
AC40	72.5	75	75	72.5	75	72.5	99	72.5	75	75	72.5	75	95	72.5	99	75	72.5	75	75	75	72.5	99	95
AC40-06	—	—	—	77.5	80	77.5	104	77.5	80	80	—	—	—	—	—	—	—	—	—	—	—	—	—
AC50	—	—	—	93	96	93	124	93	96	96	—	—	—	—	—	—	—	—	—	—	—	—	—
AC55	—	—	—	98	96	98	124	—	—	—	—	—	—	—	—	—	—	—	—	—	—	—	—
AC60	—	—	—	98	101	98	129	—	—	—	—	—	—	—	—	—	—	—	—	—	—	—	—

Attachment Model	KSV				KTV				KSTV				ST		SV			STV			TV		
	L1	L2	L3	L4	L1	L2	L3	L4	L1	L2	L3	L4	L1	L2	L1	L2	L3	L1	L2	L3	L1	L2	L3
AC10	—	—	—	—	—	—	—	—	—	—	—	—	—	—	—	—	—	—	—	—	—	—	—
AC20	41.5	43	57	43	41.5	61	43	43	41.5	61	57	43	41.5	61	41.5	43	57	41.5	61	57	41.5	61	43
AC25	55	57	74	57	55	76	57	57	55	76	74	57	55	76	55	57	74	55	76	74	55	76	57
AC30	55	57	74	57	55	76	57	57	55	76	74	57	55	76	55	57	74	55	76	74	55	76	57
AC40	72.5	75	95	75	72.5	99	75	75	72.5	99	95	75	72.5	99	72.5	75	95	72.5	99	95	72.5	99	75
AC40-06	—	—	—	—	—	—	—	—	—	—	—	—	—	77.5	104	77.5	80	102	77.5	104	102	77.5	104
AC50	—	—	—	—	—	—	—	—	—	—	—	—	—	93	124	93	96	124	93	124	93	124	96
AC55	—	—	—	—	—	—	—	—	—	—	—	—	—	98	124	—	—	—	—	—	—	—	—
AC60	—	—	—	—	—	—	—	—	—	—	—	—	—	98	129	—	—	—	—	—	—	—	—

Attachment Model	K		S		V		KS		KV			KSV			SV	
	L1	L2	L1	L2	L1	L2	L1	L2	L1	L2	L3	L1	L2	L3	L1	L2
AC20A	41.5	43	41.5	41.5	43	41.5	57	41.5	43	43	41.5	57	43	41.5	57	
AC30A	55	57	55	55	57	55	74	55	57	57	55	74	57	55	74	
AC40A	72.5	75	72.5	72.5	75	72.5	95	72.5	75	75	72.5	95	75	72.5	95	
AC40A-06	—	—	77.5	77.5	80	—	—	—	—	—	—	—	—	77.5	102	

Attachment Model	S		T		V		SV		TV	
	L1	L1	L1	L2	L1	L2	L1	L2	L1	L2
AC10B	—	28	—	—	—	—	—	—	—	—
AC20B	41.5	41.5	41.5	43	41.5	57	41.5	61	—	—
AC25B	55	55	55	57	55	74	55	76	—	—
AC30B	55	55	55	57	55	74	55	76	—	—
AC40B	72.5	72.5	72.5	75	72.5	95	72.5	99	—	—
AC40B-06	77.5	77.5	77.5	80	77.5	102	77.5	104	—	—
AC50B	93	93	93	96	93	124	93	124	—	—
AC55B	98	98	—	—	—	—	—	—	—	—
AC60B	98	98	—	—	—	—	—	—	—	—

Attachment Model	S		T		V			SV			TV		
	L1	L2	L1	L2	L1	L2	L3	L1	L2	L3	L1	L2	L3
AC20C	41.5	43	41.5	43	41.5	43	43	41.5	43	57	41.5	43	61
AC25C	55	57	55	57	55	57	57	55	57	74	55	57	76
AC30C	55	57	55	57	55	57	57	55	57	74	55	57	76
AC40C	72.5	75	72.5	75	72.5	75	75	72.5	75	95	72.5	75	99
AC40C-06	77.5	80	77.5	80	77.5	80	80	77.5	80	102	77.5	80	104

Attachment Model	S		V		SV	
	L1	L1	L2	L1	L2	L2
AC20D	41.5	41.5	43	41.5	57	—
AC30D	55	55	57	55	74	—
AC40D	72.5	72.5	75	72.5	95	—
AC40D-06	77.5	77.5	80	77.5	102	—

L1: Dimensions from the end of the IN side to the center of the mounting hole for the first bracket.
 L2: Mounting hole pitch between the first and the second bracket.
 L3: Mounting hole pitch between the second and the third bracket.
 L4: Mounting hole pitch between the third and the fourth bracket.
 Refer to dimensions pages for dimension A from the center of the piping and the mounting hole.