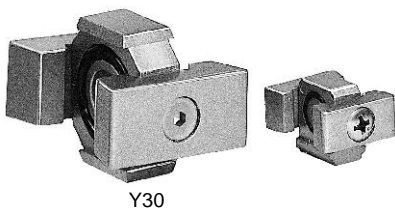


Interface/Bracket Accessories



Interface



Y30

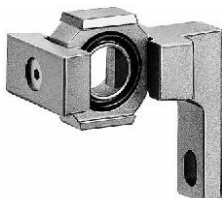


Interface

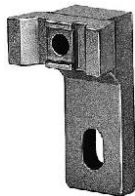
Model	File
Y10	SAC1000, #12
Y20	SAC2000, #12
Y30	SAC2503, #12
Y40	SAC4000, #12
Y50	SAC4006, #12
Y60	SAC5000, #12

Model	A	Applicable model
Y10	8	AC1000 to AC1020
Y20	10	AC2000 to AC2040
Y30	11	AC2500 to AC2540 AC3000 to AC3040
Y40	14	AC4000 to AC4040
Y50	14	AC4000-06 to AC4040-06
Y60	15	AC5000, AC5500, AC6000 AC5020, AC5520, AC6020

L Bracket/ Interface with L Bracket



Interface with L bracket



L bracket



L bracket, Interface with L bracket

Model		File
L bracket	Interface with L bracket	
B110L	Y10L	SAC1000, #13
B210L	Y20L	SAC2000, #13
B310L	Y30L	SAC2503, #13
B410L	Y40L	SAC4000, #13
B510L	Y50L	SAC4006, #13
B610L	Y60L	SAC5000, #13

L bracket	Interface with L bracket	A	B	C	D	E	F	G	R	L	Applicable model
B110L	Y10L	20	12	4.5	3	25	5	8	2.25	27	AC1000 to AC1020
B210L	Y20L	24	15	5.5	3	30	6	10	2.75	33	AC2000 to AC2040
B310L	Y30L	35	16	7	4	41	7	11	3.5	45	AC2500 to AC2540 AC3000 to AC3040
B410L	Y40L	40	22	9	4	50	7	14	4.5	50	AC4000 to AC4040
B510L	Y50L	40	22	9	4	50	7	14	4.5	60	AC4000-06 to AC4040-06
B610L	Y60L	50	24	12	4	70	10	15	6	62.5	AC5000, AC5500, AC6000 AC5020, AC5520, AC6020

AC

AV

AU

AF

AR

IR

VEX

AW

AMR

AWM

AWD

ITV

VBA

VE

VY

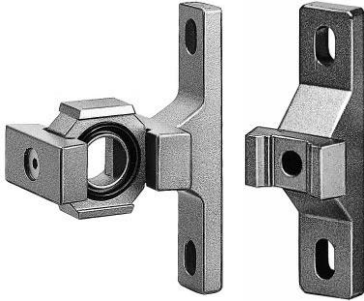
G

AL

Accessories



T Bracket/ Interface with T Bracket

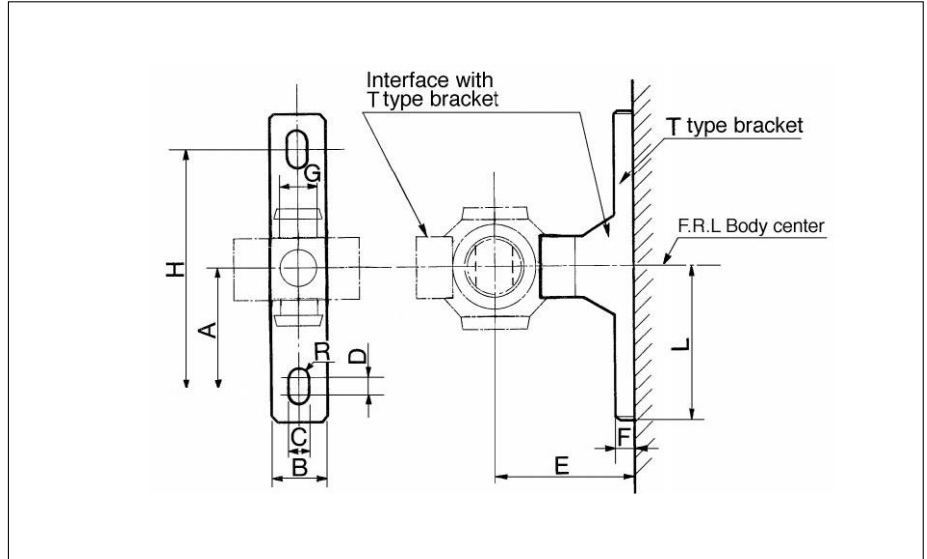


Interface with T bracket

T bracket



Model		
T bracket	Interface with T bracket	File
B110T	Y10T	SAC1000, #14
B210T	Y20T	SAC2000, #14
B310T	Y30T	SAC2503, #14
B410T	Y40T	SAC4000, #14
B510T	Y50T	SAC4006, #14
B610T	Y60T	SAC5000, #14



T bracket	Interface with T bracket	A	B	C	D	E	F	G	H	R	L	Applicable model
B110T	Y10T	20	12	4.5	3	25	5	8	40	2.25	27	AC1000 to AC1020
B210T	Y20T	24	15	5.5	3	30	5	10	48	2.75	33	AC2000 to AC2040
B310T	Y30T	35	16	7	4	41	7	11	70	3.5	45	AC2500 to AC2540 AC3000 to AC3040
B410T	Y40T	40	22	9	4	50	7	14	80	4.5	50	AC4000 to 4040
B510T	Y50T	40	22	9	4	50	7	14	80	4.5	50	AC4000-06 to AC4040-06
B610T	Y60T	50	24	12	4	70	10	15	100	6	62.5	AC5000, AC5500, AC6000 AC5020, AC5520, AC6020

Bracket For AF/AL For AFM/AFD For AR



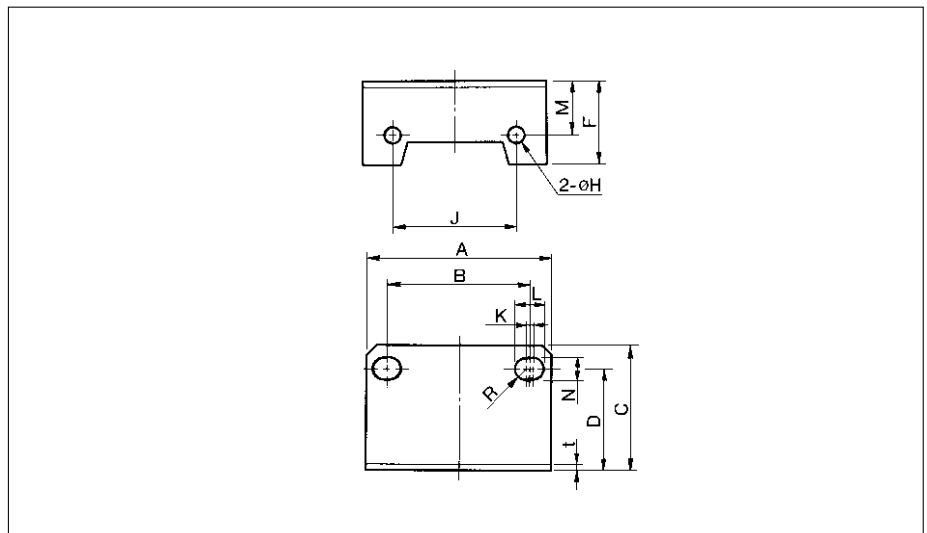
B340



B240



Model	
Model	File
B240	SAC2000, #15
B340	SAC2503, #15
B440	SAC4000, #15
B540	SAC4006, #15
B640	SAC5000, #15



Model	A	B	C	D	F	H	J	K	L	M	N	R	t	Mounting thread	Applicable model
B240A	40	27	33	27	18	4.5	26	3	8.4	14	5.4	2.7	2.3	M4 X 8 ℓ (Round head Phillips screw)	AF2000, AL2000 AFM2000, AFD2000
B340A	53	40	39	32	22.5	4.5	35	1.5	8	19	6.5	3.25	2.3	M4 X 8 ℓ (Hexagon socket head cap screw)	AF3000, AL3000 AFM3000, AFD3000
B440A	70	54	47	38	31.5	5.5	47	2	10.5	20	8.5	4.25	2.3	M5 X 10 ℓ (Hexagon socket head cap screw)	AF4000, AL4000 AFM4000, AFD4000
B540A	70	54	47	38	27.5	5.5	47	2	10.5	20	8.5	4.25	2.3	M5 X 10 ℓ (Hexagon socket head cap screw)	AF4000-06, AL4000-06 AFM4000-06, AFD4000-06
B640A	90	66	64	52	43	6.5	65	2	13	30	11	5.5	3.2	M6 X 10 ℓ (Hexagon socket head cap screw)	AF5000, 6000 AR5000, 6000, 5060, 6060 AL5000, 6000

*With 2 mounting screws.