

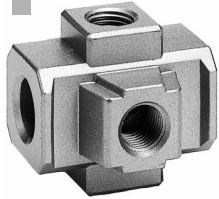
Attachments

Cross Interface

M5 X 0.8, 1/8, 1/4, 3/8, 1/2

Make it possible to diverge piping in all directions.

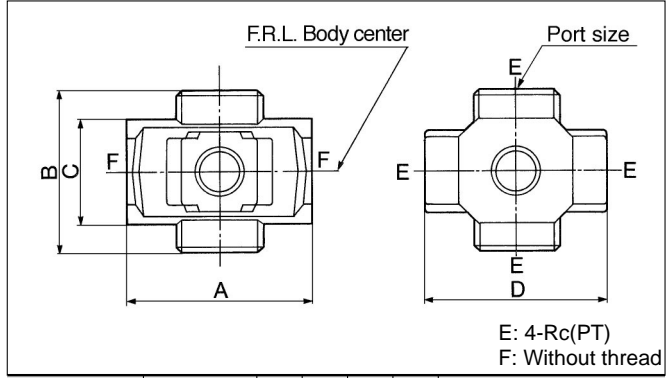
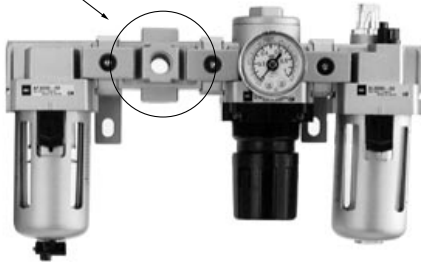
Note) IN/OUT port is not machined for thread piping.



Cross interface

Model	File
Y14-M5	SAC1000, #10
Y24-01, 02	SAC2000, #10
Y34-01, 02	SAC3000, #10
Y44-02, 03	SAC4000, #10
Y54-03, 04	SAC4006, #10

Cross interface



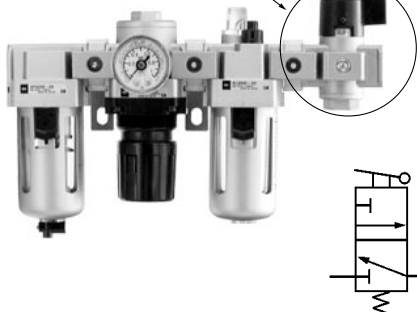
Model	Port size	A	B	C	D	Applicable model
Y14-M5	M5	23	16	14	25	AC1000, AC1010, AC1020
Y24-□01	1/8	40	40	22	40	AC2000, AC2010, AC2020 AC2030, AC2040
Y24-□02	1/4					
Y34-□01	1/8	49	43	28	48	AC2500, AC2520, AC2530 AC3000, AC3010, AC3020 AC3030, AC3040
Y34-□02	1/4					
Y44-□02	1/4	60	48	36	54	AC4000, AC4010, AC4020 AC4030, AC4040
Y44-□03	3/8					
Y54-□03	3/8	72	62	40	62	AC4000-06, AC4010-06 AC4020-06, AC4030-06 AC4040-06
Y54-□04	1/2					

Note 1) □ in parts number indicates thread. Use nothing for Rc(PT), N for NPT and F for G(PF).

Residual Pressure Exhaust 3 Port Valve: (V)

Residual pressure exhaust 3 port valve makes it easier to exhaust pressure.

Residual pressure exhaust 3 port valve

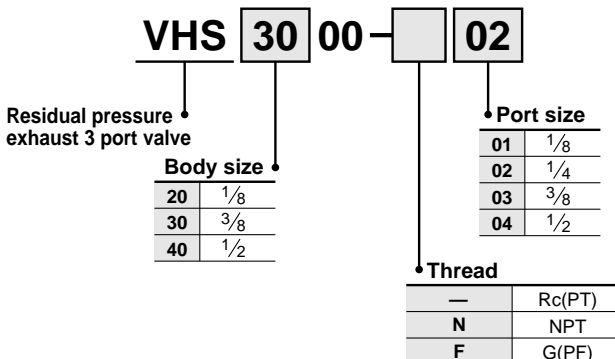


Specifications

Model	Port size	Effective area (mm ²)	
		IN to OUT	OUT to EXH
VHS2000	1/8	10	11
	1/4	14	16
VHS3000	1/4	16	14
	3/8	31	29
VHS4000	1/4	22	15
	3/8	38	29
	1/2	57	51

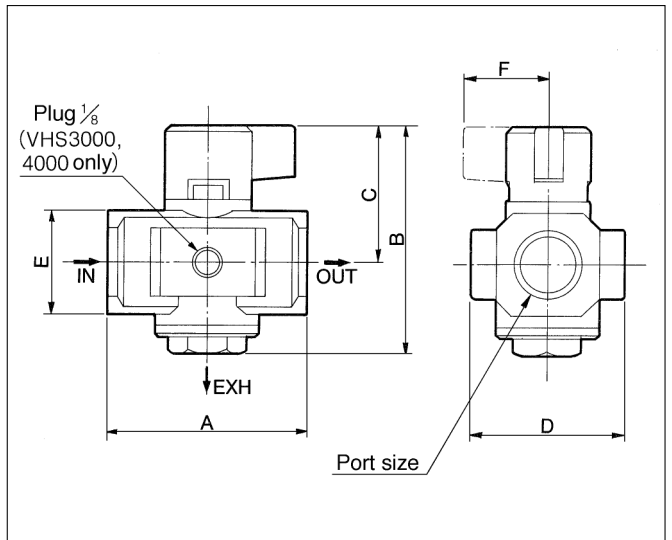
Note) Use air filter on the IN side to protect operation.

How to Order



Caution on Assembling

- When mounting directly onto the IN side of lubricator, use check valve series AKM between the interface and lubricator.
- Installation to AC will be available as a special product. Please consult SMC.



Model	IN/OUT Port size	EXH Port size	A	B	C	D	E	F
VHS2000	1/8, 1/4	1/8	40	56	36	28	22	25
VHS3000	1/4, 3/8	1/4	53	74	45	48	28	30
VHS4000 ⁽¹⁾	1/4, 3/8, 1/2	3/8	70	80	48	54	36	30

Note 1) NOT applicable to AC40□0-06.

Caution on Assembling

Pressure switch and T type interface can not be mounted to OUT side of residual pressure exhaust 3 port valve.



Residual pressure exhaust 3 port valve

Model	File
VHS2000	SAC2000, #11
VHS3000	SAC2503, #11
VHS4000	SAC4000, #11