

# Air Suction Filter In-line Type with One-touch Fittings Series ZFC

**An in-line type air suction filter that prevents trouble in vacuum equipment due to contaminants in the air.**

## IN/OUT straight piping

Saves space with space efficient straight piping

## Applicable tubing sizes

**Metric sizes** (Release bushing: light gray)

ø4, ø6, ø8

**Inch sizes** (Release bushing: orange)

ø5/32", ø1/4", ø5/16"

## One-touch fittings for easy installation and removal

Piping tube can be connected or disconnected with one touch.

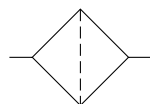
## Lightweight molded resin parts

## Cartridge type allows element replacement

The cover can be opened with one touch to allow quick replacement without tools while still connected to piping.



JIS Symbol



## Model

Model		Port size (Applicable tubing O.D.)		Recommended flow rate ( $\mu$ /min (ANR)) <small>(Note)</small>	Weight (g)
		IN side, OUT side			
Metric size	ZFC100-04	ø4		10	11.5
	ZFC100-06	ø6		20	
	ZFC200-06	ø6		30	21.5
	ZFC200-08	ø8		50	
Inch size	ZFC101-03	ø5/32"		10	11.5
	ZFC101-07	ø1/4"		20	
	ZFC201-07	ø1/4"		30	21.5
	ZFC201-09	ø5/16"		50	

Note) Flow rate when initial pressure drop is 3 kPa or less.

## Specifications

Fluid	Air, Nitrogen
Operating pressure	-100 to 0 kPa
Burst pressure	0.5 MPa
Operating and ambient temperature range	0 to 60°C (No freezing)
Filtration degree	10 $\mu$ m
Element differential pressure resistance	0.15 MPa
Applicable tubing material	Nylon, Soft nylon, Polyurethane, Soft polyurethane

Note) Do not use in a line where a pressurized condition is maintained since the body may be damaged.

## How to Order

**ZFC 100 — 04 B**

Air suction filter in-line type with One-touch fittings

Type (Recommended flow rate)

With bracket (Standard)

IN/OUT applicable tubing O.D.

Tubing size	Symbol	Flow rate ( $\mu$ /min (ANR))
Metric size	<b>100</b>	Max. 20
(Release bushing: Light gray)	<b>200</b>	Max. 50
Inch size	<b>101</b>	Max. 20
(Release bushing: Light gray)	<b>201</b>	Max. 50

Symbol	Tubing size	Applicable model
<b>04</b>	ø4	ZFC100
<b>06</b>	ø6	ZFC100
		ZFC200
<b>08</b>	ø8	ZFC200

Symbol	Tubing size	Applicable model
<b>03</b>	ø5/32"	ZFC101
<b>07</b>	ø1/4"	ZFC101
		ZFC201
<b>09</b>	ø5/16"	ZFC201

## Element Part No.

Part no.	Applicable filter model	Element size (mm)
I-62S-A	ZFC100	ø12 x ø8 x L20
	ZFC101	
I-63S-A	ZFC200	ø16 x ø12 x L25
	ZFC201	

Note) Spare elements and O-rings for the cover are sold in sets of 10 pieces each.

## Principal Parts Material

Description	Material
Case	Special clear nylon
Cover	PBT
Element	PVF
O-ring, Seal	NBR

ZX

ZR

ZM

ZH

ZU

ZL

ZY

ZQ

ZF

ZP

ZCU

AMJ

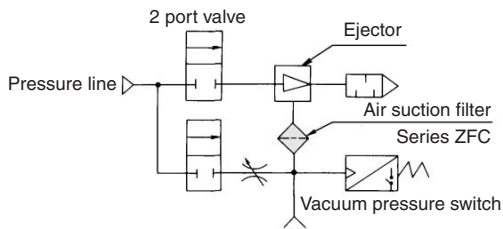
Misc.

# Series ZFC

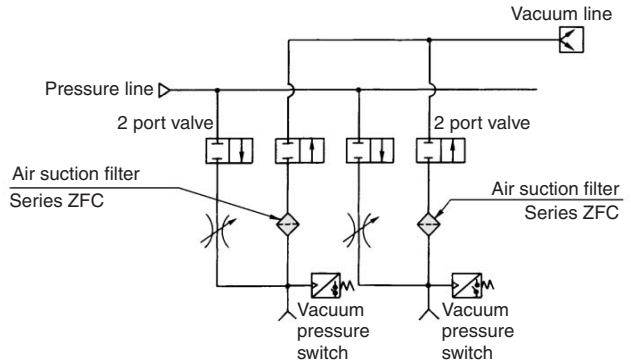
## Application Example

Fields: Semiconductor, electronics, automotive assembly, food processing and medical equipment, all types of manufacturing assembly equipment  
 Machinery: Robotic hand/material handling, automotive assembling machines, automatic transfer equipment, pick and place, printing machinery  
 Application: Vacuum adsorption transfer, vacuum adsorption retention, vacuum generated air flow

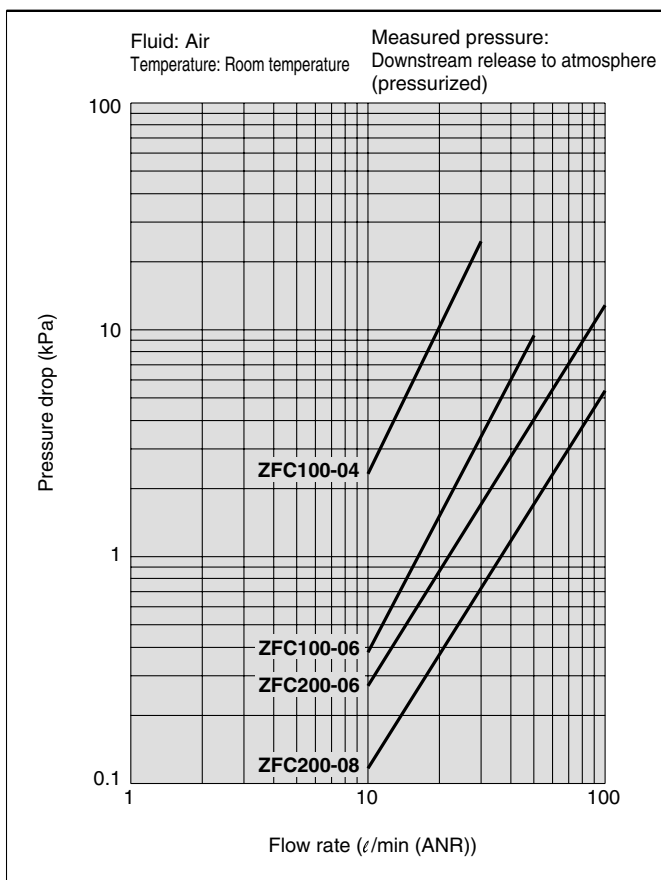
### Application ejector system



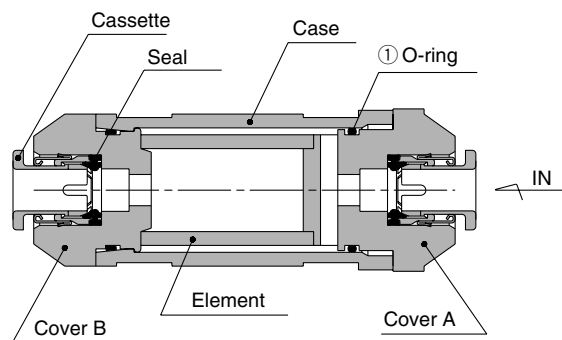
### Application vacuum pump system



## Flow Characteristics (Piping tube: Metric size, Inch size)



## Construction



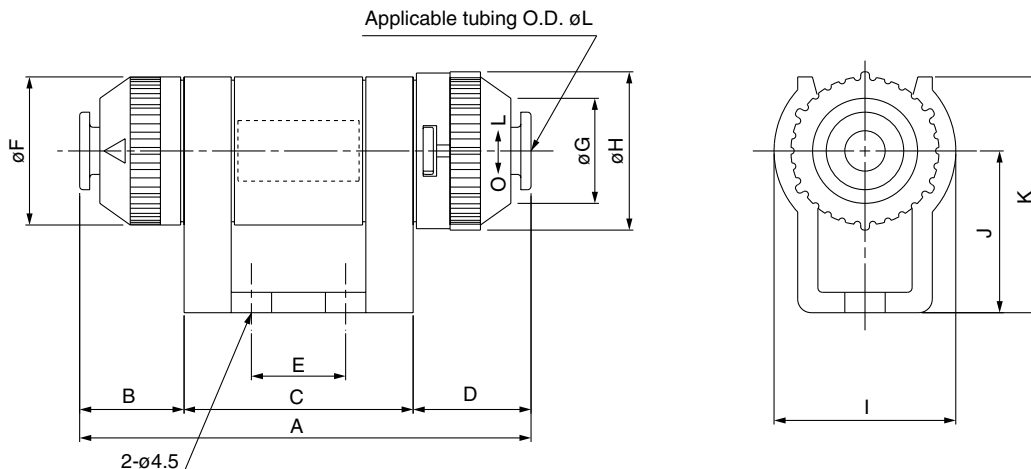
### Replacement Parts

No.	Description	Part no.	
		ZFC100, 101	ZFC200, 201
①	O-ring	S10	S14
Accessory	Bracket	BP-16S	BP-17S

\* O-ring is a set with spare element (I-\*\*S-A).  
 A bracket is included with the product.

# Air Suction Filter In-line Type with One-touch Fittings **Series ZFC**

## Dimensions



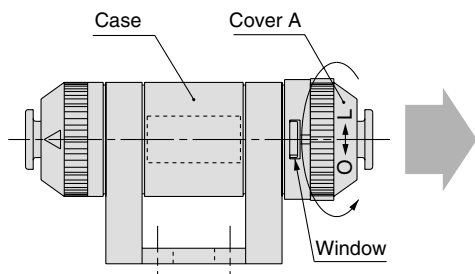
Model	A	B	C	D	E	F	G	H	I	J	K	L
ZFC100-04	53.2	9.1	30	14.1	10	18	11.6	19.5	23	20	29	4
ZFC100-06												6
ZFC101-03												5/32"
ZFC101-07												1/4"
ZFC200-06	67	15.5	34	17.5	14	22	15.6	23.1	27	24	35	6
ZFC200-08												8
ZFC201-07												1/4"
ZFC201-09												5/16"

- ZX
- ZR
- ZM
- ZH
- ZU
- ZL
- ZY
- ZQ
- ZF**
- ZP
- ZCU
- AMJ
- Misc.

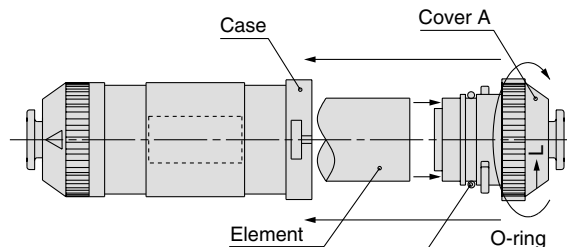
## Element Replacement

### Element replacement procedure

1. Stop operation and reduce the filter's internal pressure to atmosphere.
2. Turn cover A counterclockwise until it stops (approx. 45°).
4. Install a new element on cover A and insert it into the case.



3. Pull cover A out of the case to remove the element. Remove dust and other debris remaining inside the case by blowing it out with air, etc. (Also confirm that the O-ring is not damaged.)



5. After aligning the projections (2 places) on cover A with the grooves in the case, push cover A in and turn it clockwise until it stops (approx. 45°) (Confirm that the projections on cover A can be seen completely through the windows in the case.)
6. Restart operation.