

Multistage Ejector



Only for the models with a valve or pressure switch
The ZL 1 with an AC voltage valve is not compliant.

Max. suction flow rate **3 types available: 100, 300, and 600 l/min (ANR)**

New

- An N.O. specification has been added to the pressure switch for vacuum with energy saving function. Can hold vacuum*1 even when the power goes out or is turned off. Prevents the sudden dropping of workpieces*1

*1 Supposing the supply pressure is being maintained

Air consumption

Suction: **300 L**
ZL3 **91 %** reduction

(Under SMC's measurement conditions)

Suction: **600 L**
ZL6 **Reduced by the pressure switch for vacuum with energy saving function and efficient ejectors**

Suction: **100 L**
ZL1 **10 %** reduction

Reduction due to improved ejector efficiency (Comparison with the existing ZL112)

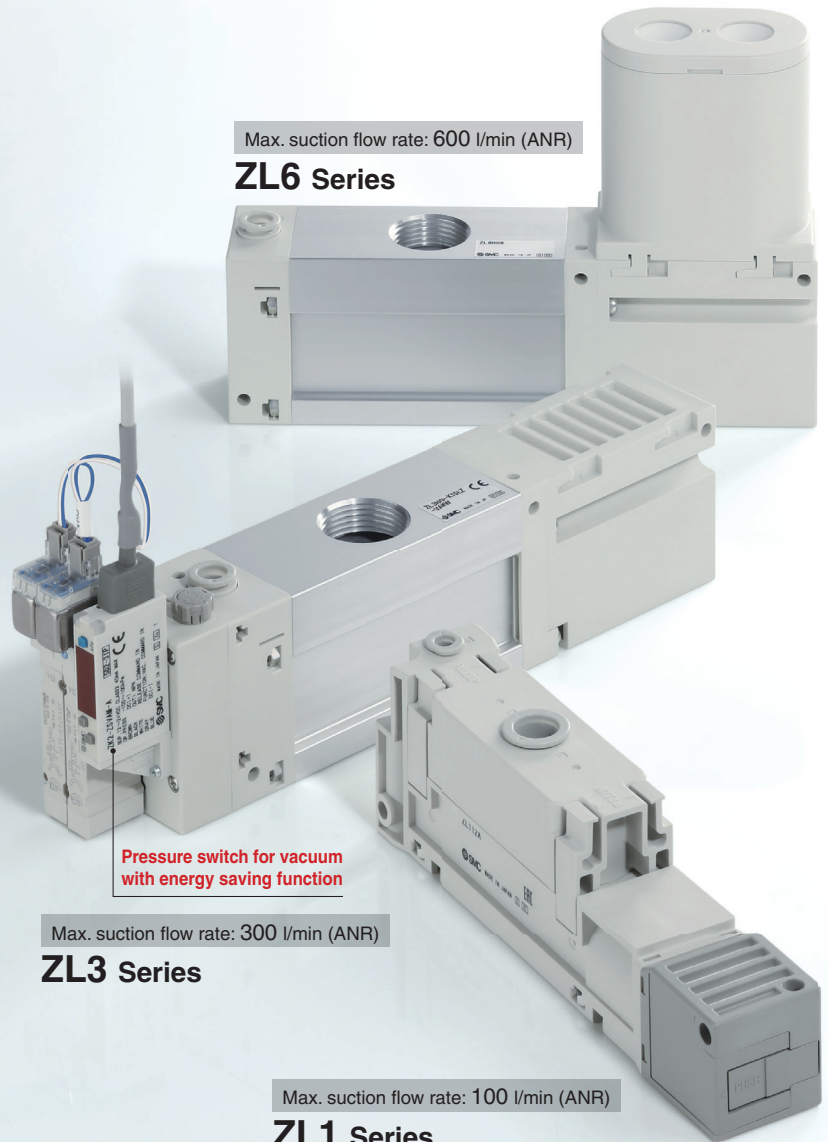
Weight

Suction: **300 L**
ZL3 Max. **44 %** reduction

Suction: **600 L**
ZL6 ZL212 (Existing model): 700 g → ZL3: **390 g**

Suction: **100 L**
ZL1 Max. **60 %** reduction

ZL112 (Existing model): 450 g → ZL1: **180 g**



Max. suction flow rate: 600 l/min (ANR)




ZL6 Series

Max. suction flow rate: 300 l/min (ANR)

ZL3 Series

Max. suction flow rate: 100 l/min (ANR)

ZL1 Series

Series	Vacuum pressure [kPa]	Max. suction flow rate [l/min (ANR)]	Air consumption [l/min (ANR)]	Weight*3 [g]	Page
ZL1 	-84	100	57	180	p. 7
ZL3 	-93*1	300*2	135*1	390	p. 19
ZL6 	-93*1	600*2	270*1	470	p. 19

*1 ZL3H, ZL6H (Standard supply pressure: 0.5 MPa)

*2 Branch + Port exhaust

*3 Without valve

ZL1/ZL3/ZL6 Series



CAT.EUS100-108B-UK

Energy saving

ZL3

ZL6

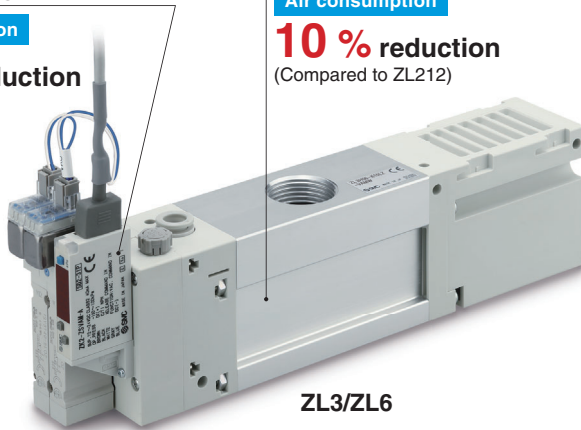
Air consumption

91 % reduction*1

*1 Under SMC's measurement conditions. When equipped with a pressure switch for vacuum with energy saving function

Digital pressure switch with energy saving function

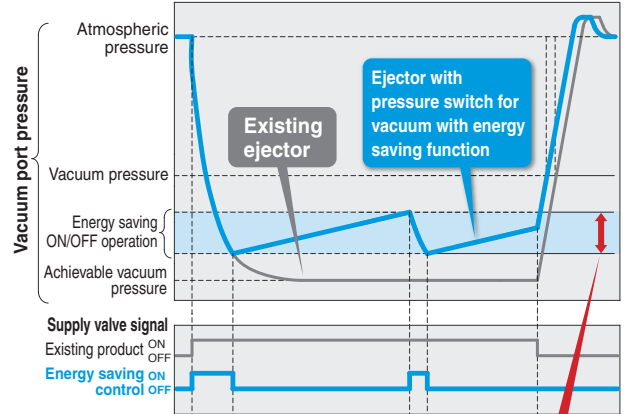
Air consumption
90 % reduction



More efficient ejector

Air consumption
10 % reduction
(Compared to ZL212)

When the suction signal is ON, the ON/OFF operation of the supply valve is performed automatically within the set value by the pressure switch for vacuum with energy saving function.



ON/OFF operation can be set with any set value.

Energy saving efficiency: 91 % reduction

Power consumption cost per year reduced by **15,356 JPY/year***1

	Power consumption cost per year	Annual air consumption	Exhaust time	Air consumption
ZL3/With energy saving function	1,519 JPY/year	1,013 m ³ /year	1.5 s	135 l/min (ANR)
Existing product (ZL212)	16,875 JPY/year	11,250 m ³ /year	15 s	150 l/min (ANR)

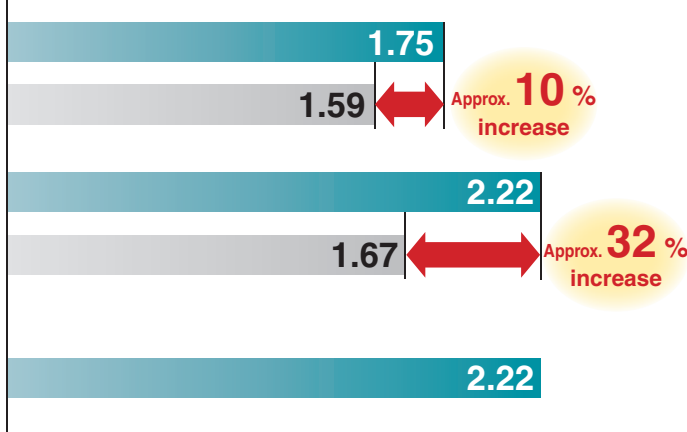
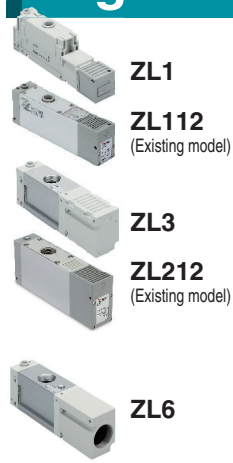
*1 **Cost conditions** · Air unit 1.5 JPY/m³ (ANR), Annual operating cycles: 300000 (Operating hours: 10 hours/day, Operating days: 250 days/year, 120 cycles/h, when 1 unit is used)

High efficiency (Suction flow rate/Air consumption)

ZL1

ZL3

ZL6

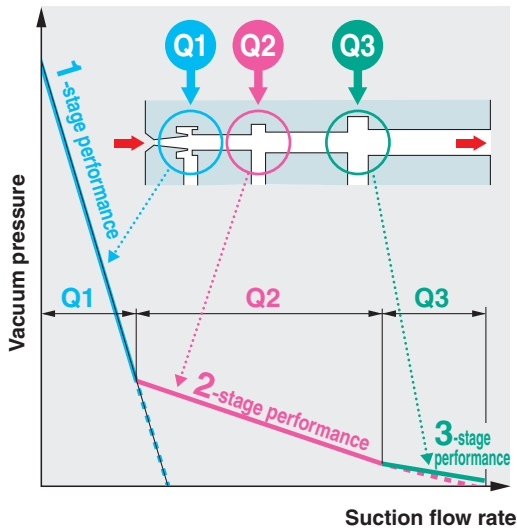


	Max. suction flow rate	Air consumption	Efficiency
ZL1	100	57	1.75
ZL112	100	63	1.59
ZL3	300	135	2.22
ZL212	250	150	1.67
ZL6	600	270	2.22

* ZL1 (Standard supply pressure: 0.33 MPa)
* ZL3H (Standard supply pressure: 0.5 MPa)

3-stage diffuser construction

ZL1 ZL3 ZL6

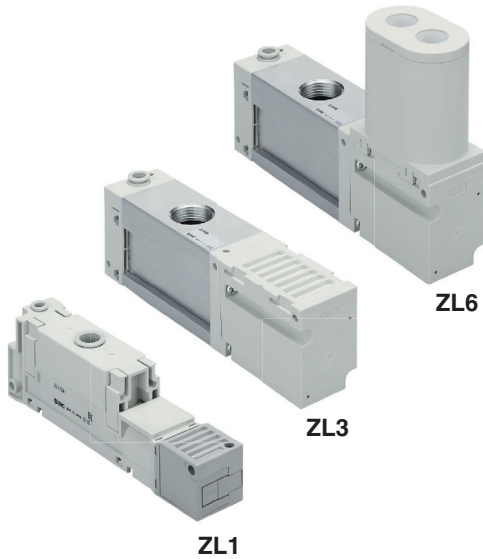
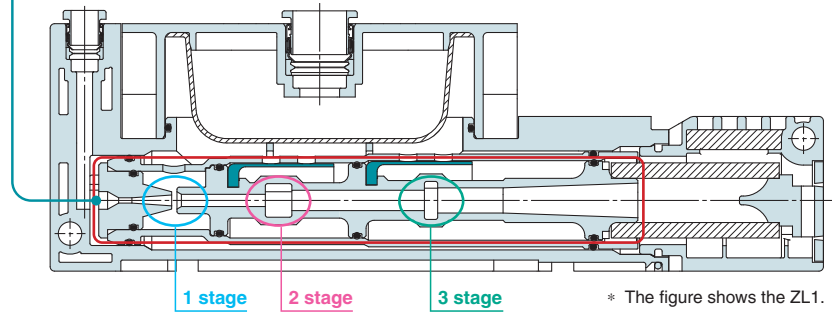


ZL1/ZL3

Max. suction flow rate **100/300 l/min (ANR)**

Suction flow rate increased by 250 %

(SMC comparison with the ZL1: 1-stage Ø 1.3 nozzle, suction flow rate of 40 l/min (ANR))

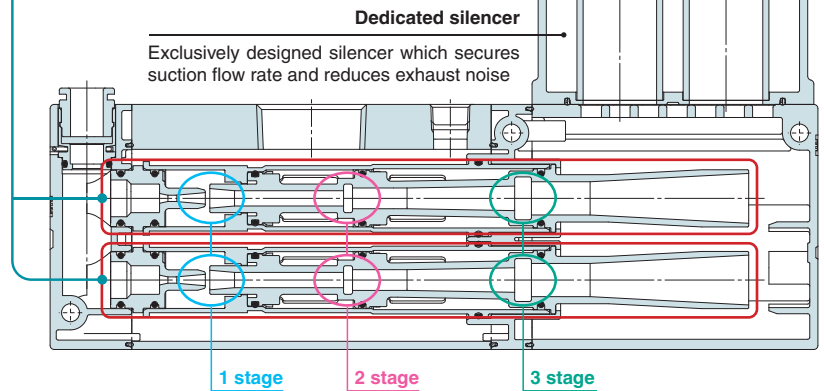


ZL6

Max. suction flow rate **600 l/min (ANR)*1**
570 l/min (ANR)*2

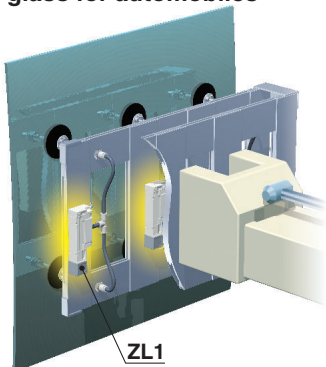
*1 Branch + Port exhaust
*2 With a silencer attached

Compact with a large flow rate and 2 built-in ejector assemblies

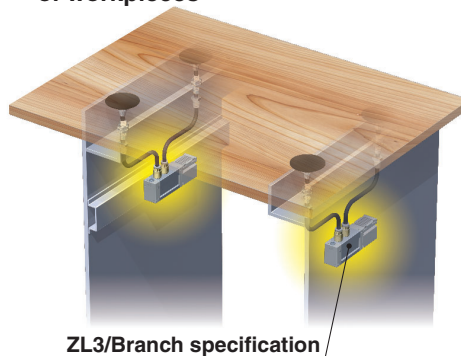


Applications

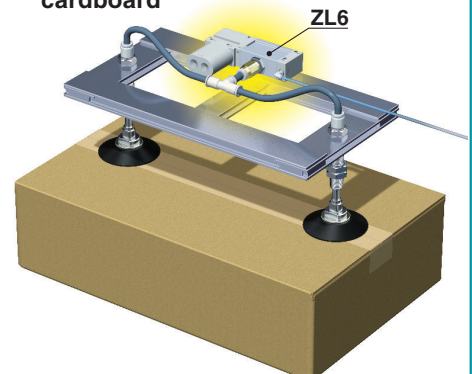
■ For the adsorption transfer of glass for automobiles



■ For the adsorption (clamping) of workpieces



■ For the adsorption transfer of cardboard



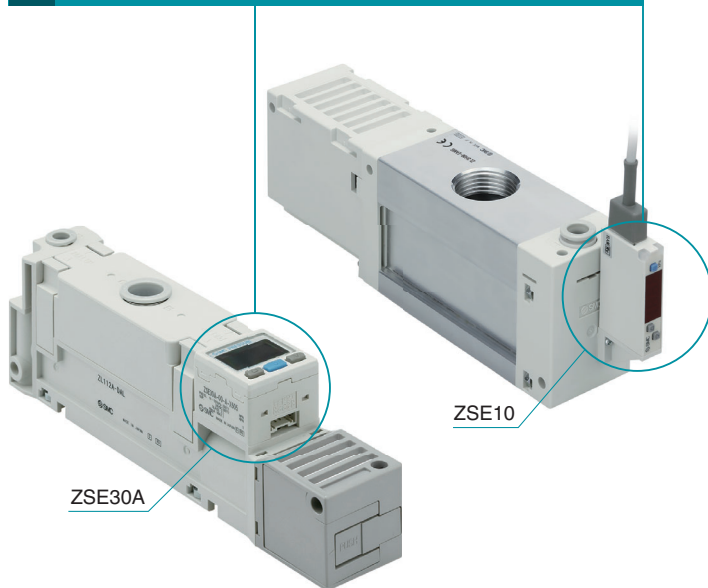
Various vacuum pressure sensors

ZL1

ZL3

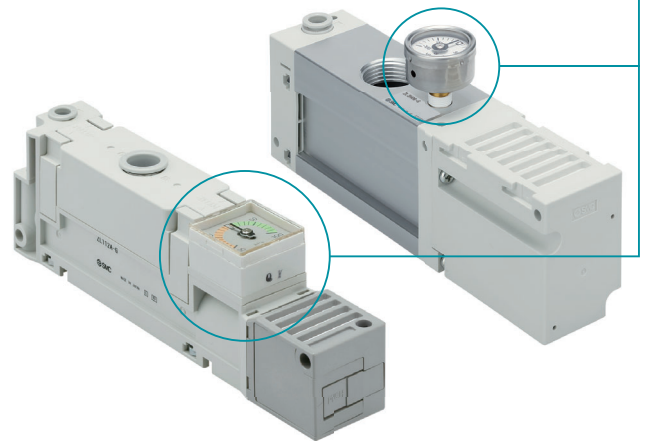
ZL6

1 With vacuum pressure switch

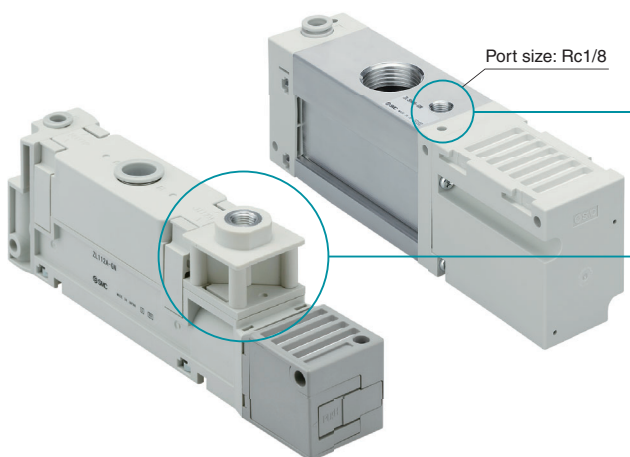


2 With pressure gauge

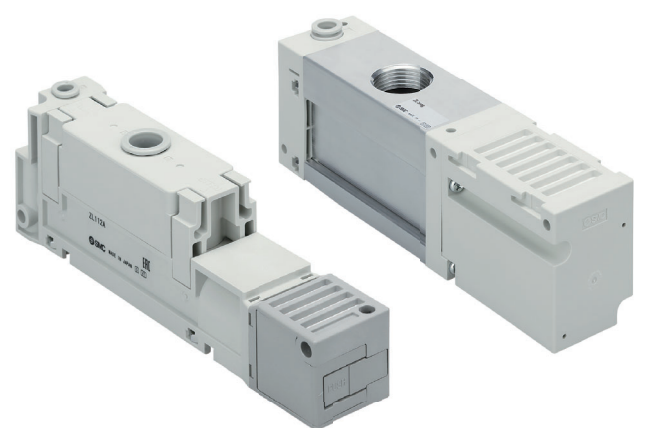
- Pressure range:
 - 100 to 100 kPa (When the port is metric spec.)
 - 30 inHg to 14 psi (When the port is inch spec.)



3 With vacuum pressure detection port



Without vacuum pressure sensor

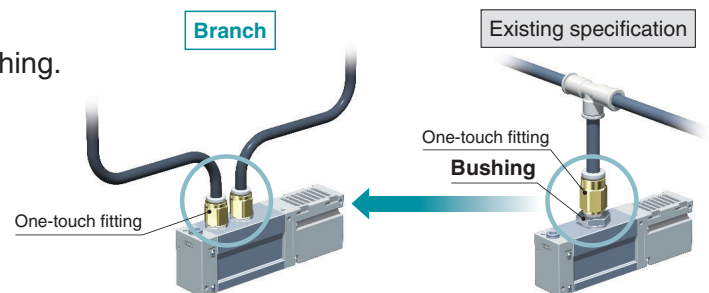
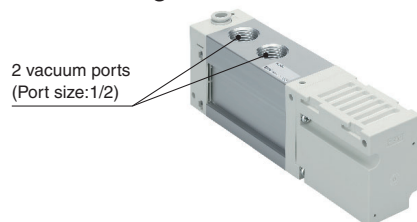


Vacuum port: A branch specification is selectable.

ZL3

ZL6

- Easy connection of branch piping
- One-touch fittings can be connected without a bushing.



Standard supply pressure: A 0.35 MPa specification has been added.

ZL3

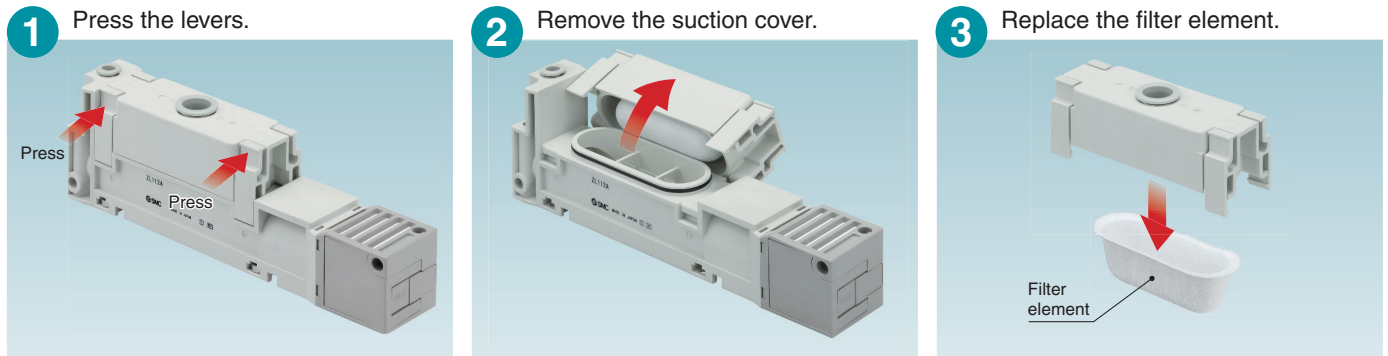
ZL6

- Supports the adoption of low supply pressure

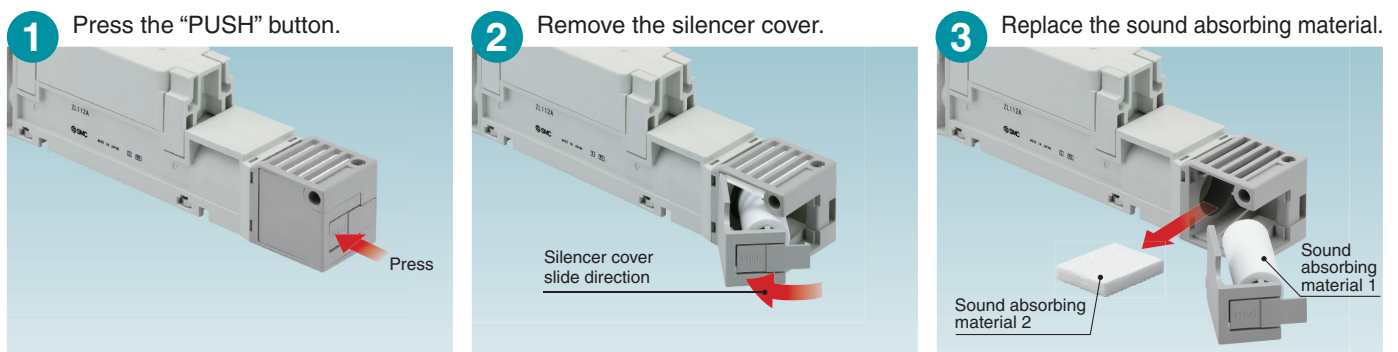
No tools are required! Reduced maintenance labor

ZL1

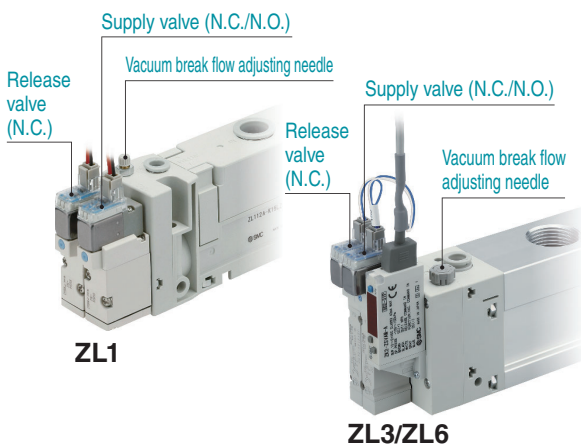
Filter element









Sound absorbing material



Supply valve/Release valve



2 types of Exhaust methods

Exhaust method	ZL1	ZL3	ZL6
Silencer exhaust (Noise level)*1	 (65 dB)	 (68 dB)	 (68 dB)
Port exhaust			

*1 Actual values under SMC's measurement conditions

ZL1

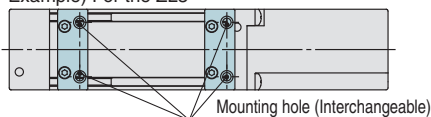
ZL3

Mounting option

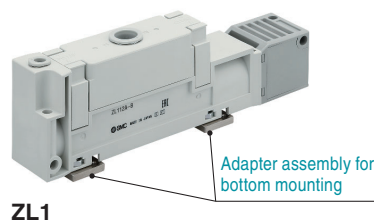
An adapter assembly is required for bottom mounting interchangeability with the existing model.

* The mounting holes on the top and on the side are interchangeable as standard.

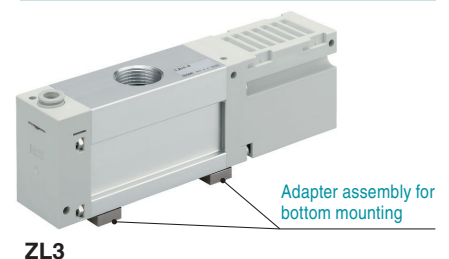
Example) For the ZL3



Bottom mounting for the ZL1 ↔ ZL112 (Existing model)



Bottom mounting for the ZL3 ↔ ZL212 (Existing model)

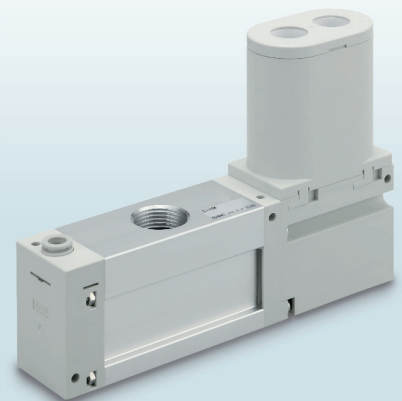
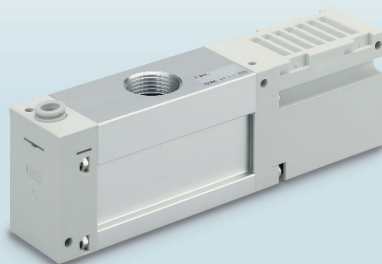
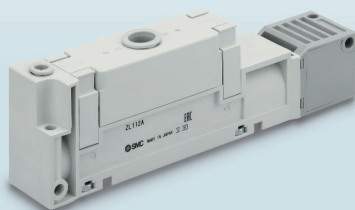


Variations

Series		ZL1	ZL3M	ZL3H	ZL6M	ZL6H
Nominal nozzle size [mm]		1.2	1.9	1.5	1.9 x 2	1.5 x 2
Standard supply pressure*1 [MPa]		0.33	0.35	0.50	0.35	0.50
Vacuum pressure [kPa]		-84	-91	-93	-91	-93
Max. suction flow rate [l/min (ANR)]		100	300*2		600*2	
Air consumption [l/min (ANR)]		57	150	135	300	270
Port size	Supply port	Ø 6 Ø 1/4"	Ø 8 Ø 5/16"			
	Vacuum port	Ø 12 Ø 1/2"	3/4 (Rc, NPT, G) 2 x 1/2 (Rc, NPT, G) (Branch specification)			
With or without valve	With supply valve and release valve	<input checked="" type="checkbox"/>	<input checked="" type="checkbox"/>	<input checked="" type="checkbox"/>	<input checked="" type="checkbox"/>	<input checked="" type="checkbox"/>
	Supply valve	<input checked="" type="checkbox"/>	<input checked="" type="checkbox"/>	<input checked="" type="checkbox"/>	<input checked="" type="checkbox"/>	<input checked="" type="checkbox"/>
	None	<input checked="" type="checkbox"/>	<input checked="" type="checkbox"/>	<input checked="" type="checkbox"/>	<input checked="" type="checkbox"/>	<input checked="" type="checkbox"/>
Exhaust type	Silencer exhaust	<input checked="" type="checkbox"/>	<input checked="" type="checkbox"/>	<input checked="" type="checkbox"/>	<input checked="" type="checkbox"/>	<input checked="" type="checkbox"/>
	Port exhaust	<input checked="" type="checkbox"/>	<input checked="" type="checkbox"/>	<input checked="" type="checkbox"/>	<input checked="" type="checkbox"/>	<input checked="" type="checkbox"/>
Pressure switch for vacuum with energy saving function	N.C. specification	<input checked="" type="checkbox"/>	<input checked="" type="checkbox"/>	<input checked="" type="checkbox"/>	<input checked="" type="checkbox"/>	<input checked="" type="checkbox"/>
	N.O. specification	<input checked="" type="checkbox"/>	<input checked="" type="checkbox"/>	<input checked="" type="checkbox"/>	<input checked="" type="checkbox"/>	<input checked="" type="checkbox"/>
Vacuum pressure sensor	With vacuum pressure switch	<input checked="" type="checkbox"/>	<input checked="" type="checkbox"/>	<input checked="" type="checkbox"/>	<input checked="" type="checkbox"/>	<input checked="" type="checkbox"/>
	With pressure gauge	<input checked="" type="checkbox"/>	<input checked="" type="checkbox"/>	<input checked="" type="checkbox"/>	<input checked="" type="checkbox"/>	<input checked="" type="checkbox"/>
	With detection port (With port: Rc1/8)	<input checked="" type="checkbox"/>	<input checked="" type="checkbox"/>	<input checked="" type="checkbox"/>	<input checked="" type="checkbox"/>	<input checked="" type="checkbox"/>
	None	<input checked="" type="checkbox"/>	<input checked="" type="checkbox"/>	<input checked="" type="checkbox"/>	<input checked="" type="checkbox"/>	<input checked="" type="checkbox"/>

*1 Without valve

*2 Branch specification + Port exhaust



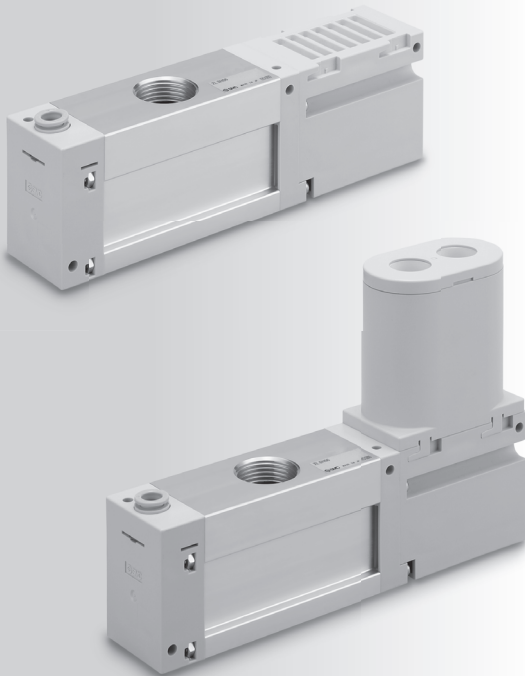
CONTENTS

Multistage Ejector *ZL1/ZL3/ZL6 Series*



Multistage Ejector *ZL1 Series*

How to Order	p. 7
Ejector Specifications	p. 8
Supply Valve/Release Valve Specifications	p. 8
Pressure Gauge Specifications	p. 8
Vacuum Pressure Switch Specifications	p. 9
Weight	p. 9
Vacuum Pressure Switch/Internal Circuits and Wiring Examples	p. 10
Exhaust Characteristics/Flow Rate Characteristics/Time to Reach Vacuum	p. 11
Vacuum Break Flow Rate Characteristics	p. 11
Construction	p. 12
How to Order Replacement Parts	p. 13
Dimensions	p. 15



Multistage Ejector *ZL3/ZL6 Series*

How to Order	p. 19
Ejector Specifications	p. 20
Supply Valve/Release Valve Specifications	p. 20
Pressure Gauge Specifications	p. 20
Vacuum Pressure Switch Specifications	p. 21
Weight	p. 21
Internal Circuits and Wiring Examples	p. 22
Exhaust Characteristics/Flow Rate Characteristics	p. 23
Time to Reach Vacuum/Break Flow Rate Characteristics/Vacuum Breaking Time	p. 24
Construction	p. 25
How to Order Replacement Parts	p. 26
Dimensions	p. 27

Specific Product Precautions	p. 31
------------------------------------	-------

Safety Instructions	Back cover
---------------------------	------------

Multistage Ejector

Max. suction flow rate:
100 l/min (ANR)

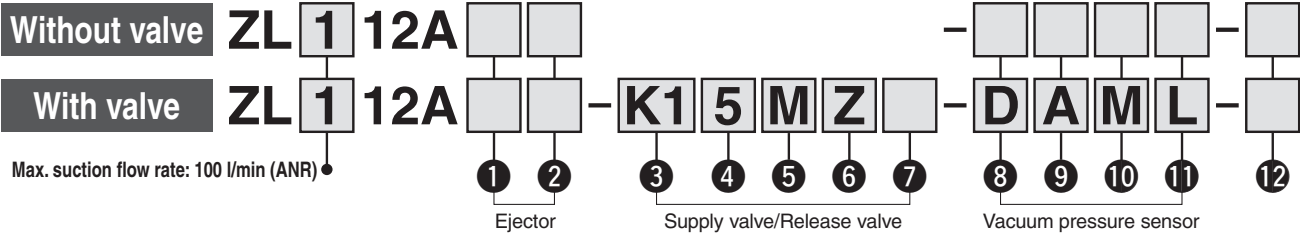
ZL1 Series



Only for the models with a valve or pressure switch
AC voltage valves are not compliant.



How to Order



1 Supply (P), Vacuum (V) port/ One-touch fitting connection size

Symbol	Supply (P) port	Vacuum (V) port	Pressure gauge unit*1
—	Ø 6 (Metric)	Ø 12 (Metric)	kPa
N	Ø 1/4" (Inch)	Ø 1/2" (Inch)	inHg·psi

*1 When the vacuum pressure gauge (Symbol: G) is selected for 8, these are the unit specification options.

2 Exhaust method

—	Silencer exhaust
P	Rc1/2 port exhaust
PF	G1/2 port exhaust*2
PN	1/2-14NPT port exhaust

*2 The thread ridge shape is in compliance with G thread standard ISO 228-1, but the other shapes are not in compliance with ISO 16030 or ISO 1179.

3 Supply valve/Release valve combination

K1	Supply valve (N.C.), Release valve (N.C.)
K2	Supply valve (N.C.)
B1	Supply valve (N.O.), Release valve (N.C.)
B2	Supply valve (N.O.)

4 Rated voltage

DC		CE/UKCA-compliant
5	24 VDC	●
6	12 VDC	●
V	6 VDC	●
S	5 VDC	●
R	3 VDC	●

AC (50/60 Hz)		CE/UKCA-compliant
1	100 VAC	—
2	200 VAC	—
3	110 VAC [115 VAC]	—
4	220 VAC [230 VAC]	—

* CE/UKCA-compliant: For DC only

5 Electrical entry

24, 12, 6, 5, 3 VDC/100, 110, 200, 220 VAC			
Grommet	L plug connector	M plug connector	
G: Lead wire length 300 mm	L: With lead wire (300 mm)	M: With lead wire (300 mm)	MN: Without lead wire
H: Lead wire length 600 mm	LN: Without lead wire	LO: Without connector	MO: Without connector

* LN and MN types: With 2 sockets per valve

* Refer to page 13 for the lead wire length of L and M plug connectors.

6 Light/Surge voltage suppressor

—	Without light/surge voltage suppressor
S	With surge voltage suppressor
Z	With light/surge voltage suppressor
U	With light/surge voltage suppressor (Non-polar type)

* For type "U," only DC voltage is available.
* There is no "S" option for AC voltage valves because the generation of surge voltage is prevented by a rectifier.

7 Manual override

—	Non-locking push type
D	Push-turn locking slotted type

8 Vacuum pressure sensor

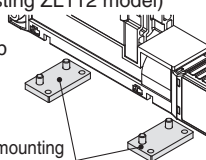
—	None
GN	With vacuum pressure detection port (Rc1/8)
G	Pressure gauge*3
D	Vacuum pressure switch

*3 For 1, the units for metric spec. fittings are in kPa.

12 Option (Included)

—	None
B	Adapter assembly for bottom mounting (ZL112A-AD1-A)

* Bottom mounting screw pitch = 28 mm (Interchangeable with the existing ZL112 model)
* 2 pcs./set, with 4 bolts
* The mounting holes on the top and on the side are interchangeable as standard.



Adapter assembly for bottom mounting

Applicable only when "D" is selected for 8 Vacuum pressure sensor

9 Output

N	NPN open collector 1 output
P	PNP open collector 1 output
A	NPN open collector 2 outputs
B	PNP open collector 2 outputs
C	NPN open collector 1 output + Analogue voltage output
D	NPN open collector 1 output + Analogue current output
E	PNP open collector 1 output + Analogue voltage output
F	PNP open collector 1 output + Analogue current output

10 Unit

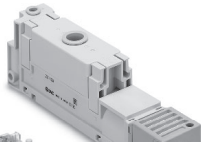
—	With unit switching function
M	SI unit only (kPa)
P	With unit switching function (Initial value psi)

11 Lead wire

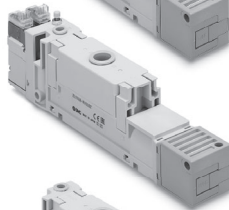
—	Without lead wire
L	Lead wire with connector (2 m)

* For output types "N" and "P," a 3-core lead wire is included. For other output types, a 4-core lead wire is included.

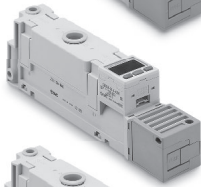
Without valve



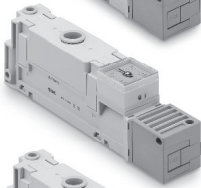
With valve



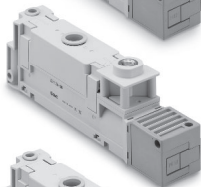
With vacuum pressure switch



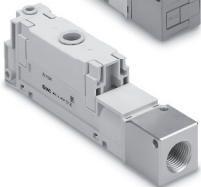
With pressure gauge



With vacuum pressure detection port



Port exhaust



Ejector Specifications

Model		ZL1
Nozzle size [mm]		1.2
Standard supply pressure [MPa]	Without valve	0.33
	With valve	0.35
Max. vacuum pressure [kPa]*1		-84
Max. suction flow rate [l/min (ANR)]*1		100
Air consumption [l/min (ANR)]*1		57
Supply pressure range [MPa]		0.2 to 0.5
Operating temperature range [°C]		5 to 50 (No condensation)
Fluid		Air
Vibration resistance [m/s ²]*2	Without pressure switch	30
	With pressure switch	20
Impact resistance [m/s ²]*3	Without pressure switch	150
	With pressure switch	100

- *1 Values are at the standard supply pressure and based on SMC's measurement standards. They depend on atmospheric pressure (weather, altitude, etc.) and the measurement method.
 *2 10 to 500 Hz for 2 hours in each direction of X, Y, and Z (De-energised, Initial value)
 *3 3 times in each direction of X, Y, and Z (De-energised, Initial value)

Supply Valve/Release Valve Specifications

Model	SYJ5□4
Response time (at 0.5 MPa)*1	25 ms or less
Max. operating frequency	5 Hz
Manual override	Non-locking push type, Push-turn locking slotted type

- *1 Based on JIS B 8419: 2010 dynamic performance test (Standard type: Coil temperature 20 °C, at rated voltage, without surge voltage suppressor)
 * Refer to the **Web Catalogue** for details on the SYJ500 series.

Pressure Gauge Specifications

Model	ZL112A-PG1-A	ZL112A-PG2-A
Fluid	Air	
Pressure range	-100 to 100 kPa	-30 inHg to 14 psi
Scale range (Angular)	230°	
Accuracy	±3 % F.S. (Full span)	
Operating temperature range	0 to 50 °C	
Material	Housing: Polycarbonate/ABS resin	

Noise Level (Reference values)

Model	ZL1
Noise level [dB(A)]	65

Actual values under SMC's measurement conditions (Not guaranteed values)

* The solenoid valve mounted on this product is the SMC 3-port solenoid valve SYJ500 series.

For details on solenoid valve functions, refer to the Operation Manual of the SYJ500 series on the SMC website (<https://www.smc.eu>).

3-port solenoid valve
SYJ500 series

SYJ5□4-□□□□□□□□□□

Multistage ejector
ZL1 series

ZL112A□□□□□□□□□□□□□□□□

CE/UKCA-compliant
Q DC

Manual override

Light/Surge voltage suppressor

Electrical entry

Rated voltage

Supply valve/Release valve

ZL112A□□□-K1
Select "1" for both supply and release valve.

ZL112A□□□-K2
Select "1" for supply valve.

ZL112A□□□-B1
Select "2" for supply valve.
Select "1" for release valve.

ZL112A□□□-B2
Select "2" for supply valve.

Refer to page 13.

* The vacuum pressure switch mounted on this product is equivalent to our SMC product, the ZSE30A series digital pressure switch.

For details on vacuum pressure switch functions, refer to the Operation Manual of the ZSE30A series on the SMC website (<https://www.smc.eu>).

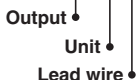
● Pressure switch correspondence table

Digital pressure switch
ZSE30A series

(ZL-) ZSE30A-00-□-□

Multistage ejector
ZL1 series

ZL112A-□□□□□-D



Refer to page 13.

Vacuum Pressure Switch Specifications

Model	ZL-ZSE30A		
Rated pressure range	0.0 to -101.0 kPa		
Set pressure range	10.0 to -105.0 kPa		
Withstand pressure	500 kPa		
Smallest settable increment	0.1 kPa		
Applicable fluid	Air, Non-corrosive gas, Non-flammable gas		
Power supply voltage	12 to 24 VDC $\pm 10\%$ (with power supply polarity protection)		
Current consumption	40 mA (at no load)		
Switch output	NPN or PNP open collector 1 output NPN or PNP open collector 2 outputs (selectable)		
Max. load current	80 mA		
Max. applied voltage	28 V (at NPN output)		
Residual voltage	1 V or less (with load current of 80 mA)		
Response time	2.5 ms or less (with anti-chattering function: 20, 100, 500, 1000, 2000 ms)		
Short-circuit protection	Yes		
Repeatability	$\pm 0.2\%$ F.S. ± 1 digit		
Hysteresis	Hysteresis mode	Variable (0 to variable)	
	Window comparator mode		
Analogue output	Voltage output *1	Output voltage (Rated pressure range)	1 to 5 V $\pm 2.5\%$ F.S.
		Linearity	$\pm 1\%$ F.S. or less
		Output impedance	Approx. 1 k Ω
	Current output *2	Output current (Rated pressure range)	4 to 20 mA $\pm 2.5\%$ F.S.
		Linearity	$\pm 1\%$ F.S. or less
		Load impedance	Maximum load impedance: Power supply voltage 12 V: 300 Ω , Power supply voltage 24 V: 600 Ω Minimum load impedance: 50 Ω
Display	4-digit, 7-segment, 2-colour LCD (Red/Green) Sampling cycle: 5 times/s		
Display accuracy	$\pm 2\%$ F.S. ± 1 digit (Ambient temperature of 25 °C)		
Indicator light	Lights up when switch output is turned ON. (OUT1: Green, OUT2: Red)		
Environmental resistance	Enclosure	IP40	
	Operating temperature range	Operating: 0 to 50 °C, (No freezing or condensation) Stored: -10 to 60 °C	
	Operating humidity range	Operating/Stored: 35 to 85 % RH (No condensation)	
	Withstand voltage	1000 VAC for 1 minute between terminals and housing	
	Insulation resistance	50 M Ω or more (500 VDC measured via megohmmeter) between terminals and housing	
Temperature characteristics	$\pm 2\%$ F.S. (25 °C standard)		
Lead wire	Oilproof heavy-duty vinyl cable, 3 cores \varnothing 3.5, 2 m 4 cores Conductor area: 0.15 mm ² (AWG26) Insulator O.D.: 1.0 mm		
Standards	CE/UKCA, RoHS compliant		

*1 When analogue voltage output is selected, analogue current output cannot be used together.

*2 When analogue current output is selected, analogue voltage output cannot be used together.

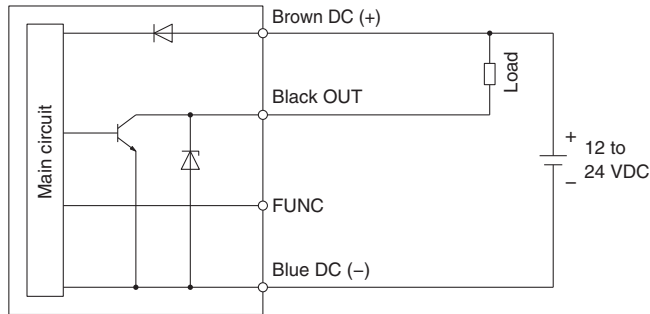
Weight

[g]

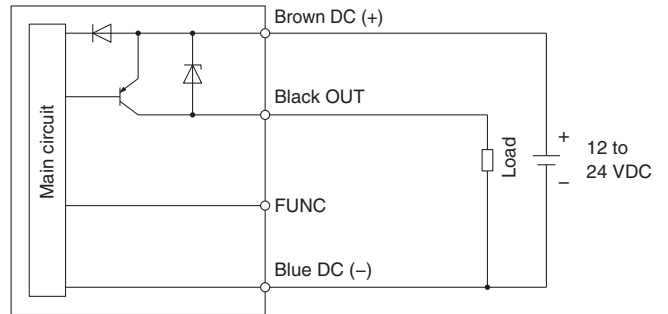
Model	ZL1
Basic type	180
Port exhaust	+70
Vacuum pressure switch (Excluding lead wire)	+25
Vacuum pressure switch (Including 3 cores lead wire)	+56
Vacuum pressure switch (Including 4 cores lead wire)	+60
With supply valve and release valve	+105
With supply valve and without release valve	+65

Vacuum Pressure Switch/Internal Circuits and Wiring Examples

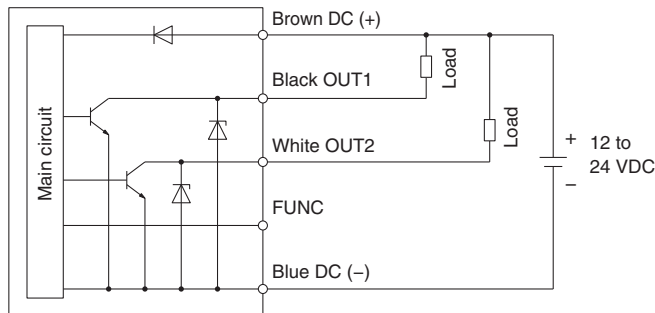
Output specification "N"
NPN (1 output)



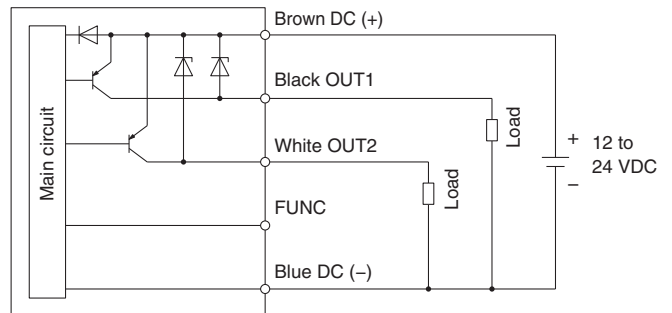
Output specification "P"
PNP (1 output)



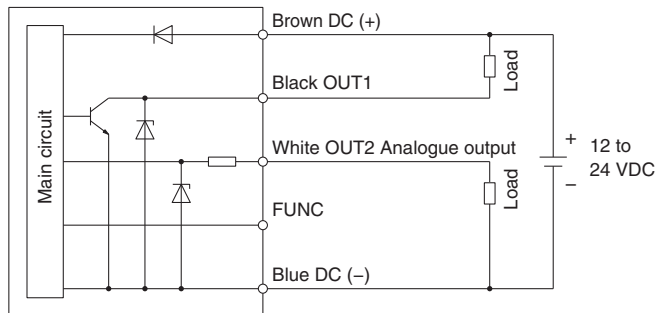
Output specification "A"
NPN (2 outputs)



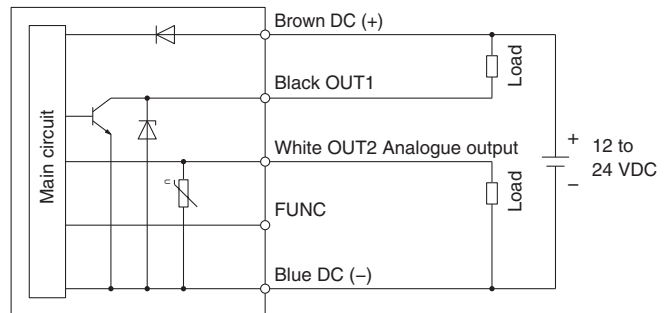
Output specification "B"
PNP (2 outputs)



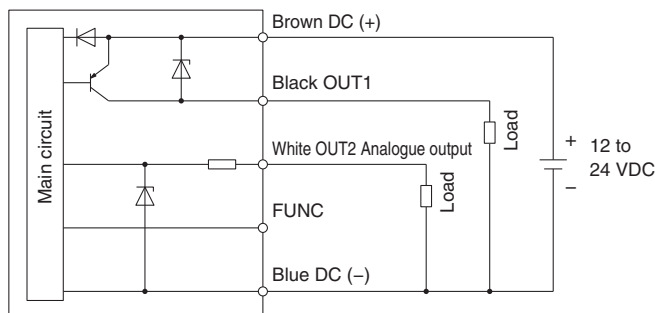
Output specification "C"
NPN (1 output) + Analogue voltage output



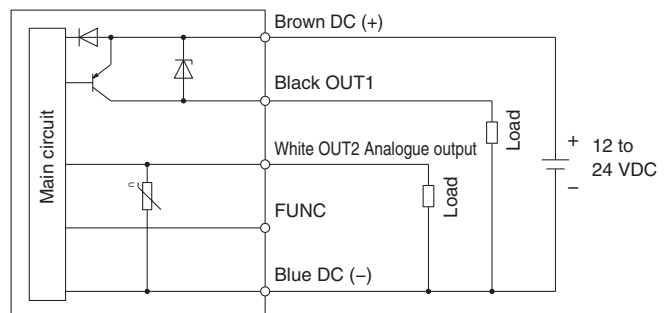
Output specification "D"
NPN (1 output) + Analogue current output



Output specification "E"
PNP (1 output) + Analogue voltage output



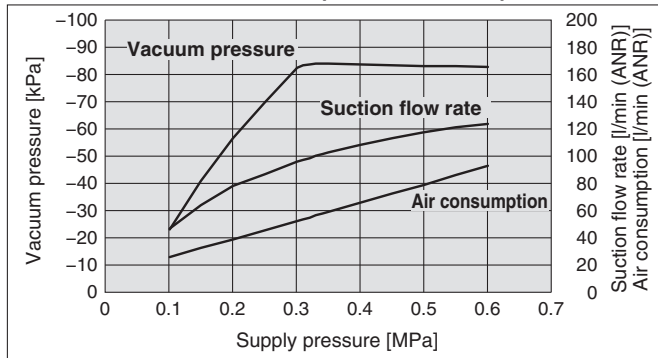
Output specification "F"
PNP (1 output) + Analogue current output



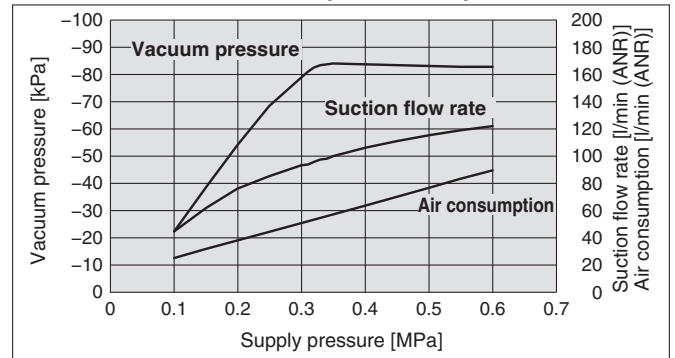
* Refer to the **Web Catalogue** for details on pressure switches.

Exhaust Characteristics/Flow Rate Characteristics/Time to Reach Vacuum (Representative value)

Exhaust Characteristics (Without valve)

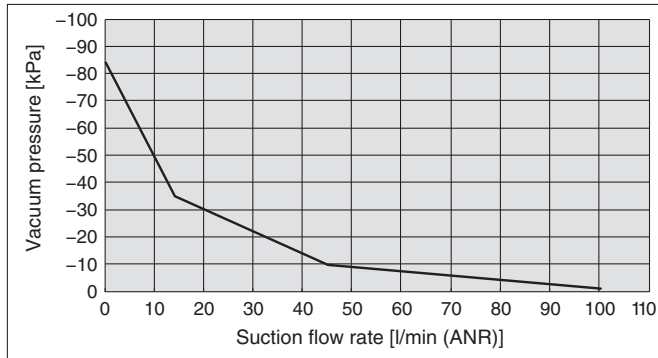


Exhaust Characteristics (With valve)



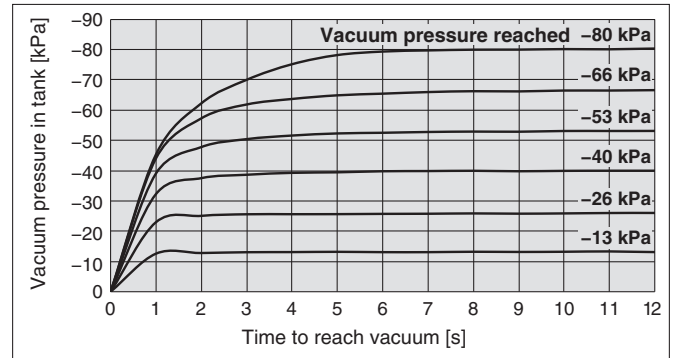
Flow Rate Characteristics

Standard supply pressure: 0.33 MPa (Without valve)
0.35 MPa (With valve)



Time to Reach Vacuum

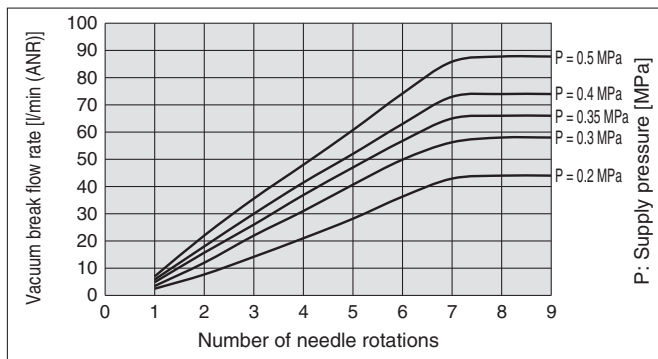
Tank capacity: 1 L



Vacuum Break Flow Rate Characteristics*1 (Representative value)

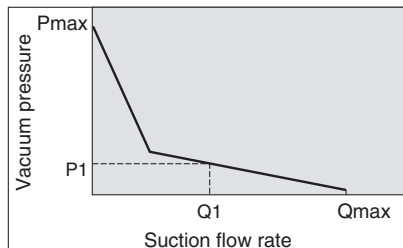
*1 Silencer exhaust specification

The graph shows the flow rate characteristics at different supply pressures when the vacuum break flow adjusting needle is open from the fully closed state.



* The flow rates shown in this graph are representative values for the ejector with silencer exhaust specification, and the suction flow may vary depending on the piping conditions at the vacuum (V) port and exhaust (EXH) port, etc.

How to Read the Flow Rate Characteristics



The flow rate characteristics indicate the relationship between the vacuum pressure and the suction flow rate of the ejector. They also show that when the suction flow rate changes, the vacuum pressure also changes. In general, this indicates the relationship at the ejector's standard operating pressure.

In the graph, Pmax indicates the max. vacuum pressure, and Qmax indicates the max. suction flow rate. These are the values that are published as specifications in catalogues, etc. Changes in vacuum pressure are explained below.

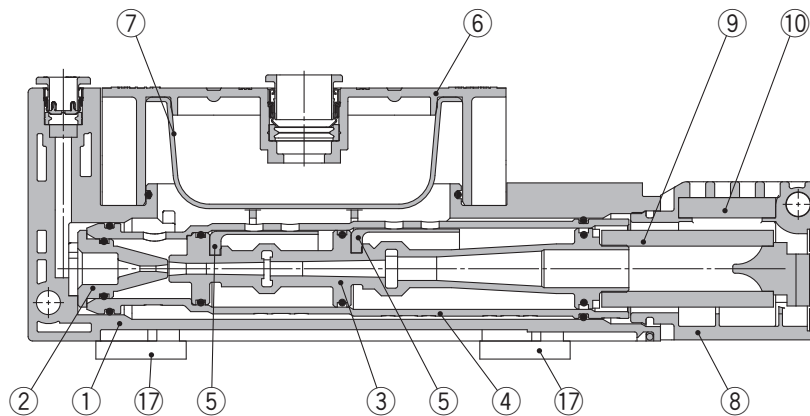
1. If the ejector's suction port is closed and sealed tight, the suction flow rate becomes "0," and the vacuum pressure increases to the max. (Pmax).
2. If the suction port is opened and air is allowed to flow (the air leaks), the suction flow rate increases, and the vacuum pressure decreases. (The condition of P1 and Q1)
3. If the suction port is opened completely, the suction flow rate increases to the max. (Qmax), while the vacuum pressure then drops almost to "0" (atmospheric pressure). When adsorbing workpieces which are permeable, subject to leakage, etc., caution is required as the vacuum pressure will not be very high.

How to Read the Time to Reach Vacuum

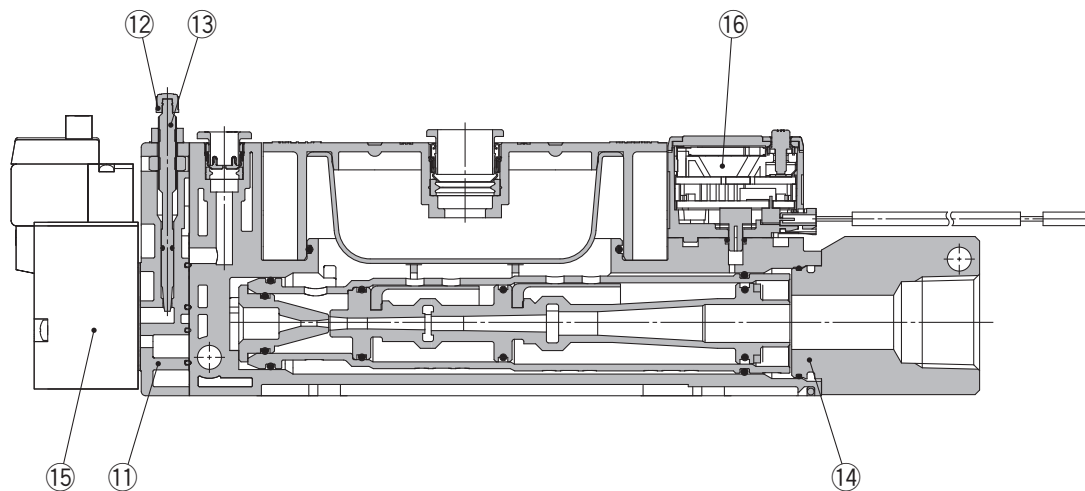
The graph indicates the time required to reach a vacuum pressure determined by adsorption conditions for workpieces, etc., starting from atmospheric pressure in a 1 L sealed tank. For the ZL1, approximately 7.0 seconds are necessary to attain a vacuum pressure of -80 kPa.

Construction

Without valve or vacuum pressure switch, Silencer exhaust



With valve and vacuum pressure switch, Port exhaust



Component Parts

No.	Description	Material	Note
1	Body	PBT	—
2	Nozzle	POM	Refer to 6 on page 14 for replacement parts.
3	Diffuser	PBT	
4	Attachment	POM	
5	Check valve	FKM	
6	Suction cover	PBT	Refer to 3 on page 13 for replacement parts.
7	Filter element	Non-woven fabric	Refer to 8 on page 14 for replacement parts.
8	Silencer case assembly	PBT/Stainless steel	Refer to 4 on page 14 for replacement parts.
9	Sound absorbing material 1	Resin	Refer to 9 on page 14 for replacement parts.
10	Sound absorbing material 2	Resin	
11	Valve plate	PBT	Refer to 7 on page 14 for replacement parts.
12	Knob	POM	
13	Needle	Brass (Electroless nickel plating)	
14	Port block assembly	Aluminium alloy/NBR/Stainless steel	Refer to 5 on page 14 for replacement parts.
15	Supply valve, Release valve	—	Refer to 1 on page 13 for replacement parts.
16	Vacuum pressure switch	—	Refer to 2 on page 13 for replacement parts.
17	Adapter assembly for bottom mounting	Brass (Electroless nickel plating)	Refer to 10 on page 14 for replacement parts.
—	Seal material (O-ring, etc.)	HNBR/NBR	—
—	Screws for assembly	Steel	—

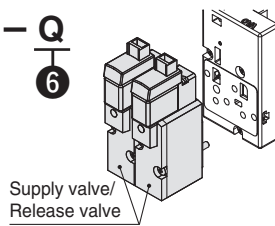
ZL1 Series

How to Order Replacement Parts

1 How to Order Supply Valve/Release Valve

SYJ5 **1** 4 - **5** **M** **Z** **□** - **Q**

① ② ③ ④ ⑤ ⑥



1 Type of actuation

1	Normally closed
2	Normally open (Supply valve only)

2 Rated voltage

DC	
5	24 VDC
6	12 VDC
V	6 VDC
S	5 VDC
R	3 VDC

3 Electrical entry

24, 12, 6, 5, 3 VDC/100, 110, 200, 220 VAC			
Grommet	L plug connector	M plug connector	
G: Lead wire length 300 mm	L: With lead wire (300 mm)	M: With lead wire (300 mm)	MN: Without lead wire
H: Lead wire length 600 mm	LN: Without lead wire	LO: Without connector	MO: Without connector

* LN and MN types: With 2 sockets

* For the lead wire length of the L and M plug connectors, refer to the lead wire with connector assembly for supply valves and release valves.

4 Light/Surge voltage suppressor

(Electrical entry: G, H, L, or M)

—	Without light/surge voltage suppressor
S	With surge voltage suppressor
Z	With light/surge voltage suppressor
U	With light/surge voltage suppressor (Non-polar type)

5 Manual override

—	Non-locking push type
D	Push-turn locking slotted type

6 CE/UKCA-compliant

Q	CE/UKCA-compliant
---	-------------------

How to Order Connector and Socket for Supply Valve/Release Valve

SY100-30-A

* With connector and 2 sockets only

How to Order Lead Wire with Connector Assembly for Supply Valve/Release Valve

SY100-30-4 A-6

① ②

1 Power supply voltage

4	DC
---	----

2 Lead wire length

—	300 mm
6	600 mm
10	1000 mm
15	1500 mm
20	2000 mm
25	2500 mm
30	3000 mm
50	5000 mm

2 How to Order Vacuum Pressure Switch

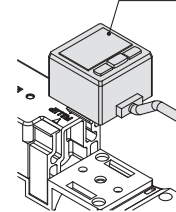
ZL-ZSE30A-00-B-M-L

① ② ③

Vacuum pressure switch

1 Output

N	NPN open collector 1 output
P	PNP open collector 1 output
A	NPN open collector 2 outputs
B	PNP open collector 2 outputs
C	NPN open collector 1 output + Analogue voltage output
D	NPN open collector 1 output + Analogue current output
E	PNP open collector 1 output + Analogue voltage output
F	PNP open collector 1 output + Analogue current output



2 Unit

—	With unit switching function
M	SI unit only*1
P	With unit switching function (Initial value psi)

*1 Fixed unit: kPa

3 Connector/Lead wire

—	Without lead wire
L	Lead wire with connector (Length: 2 m)

* For output types "N" and "P;" a 3-core lead wire is included. For other output types, a 4-core lead wire is included.

How to Order Lead Wire Assembly with Connector

ZS-38-3 L

①

1 Number of cores

3	3 cores, 1 output
4	4 cores, 2 outputs

3 How to Order Suction Cover Assembly

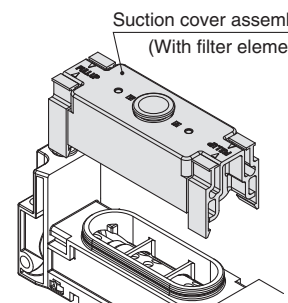
ZL112A-FC1-□-A

①

Suction cover assembly (With filter element)

1 Vacuum port size

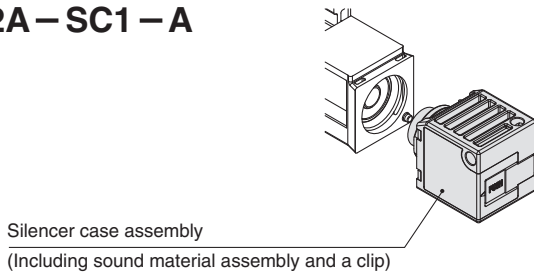
—	Applicable tubing O.D. \varnothing 12
N	Applicable tubing O.D. \varnothing 1/2"



How to Order Replacement Parts

4 How to Order Silencer Case Assembly

ZL112A – SC1 – A



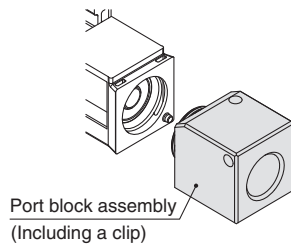
5 How to Order Port Block Assembly

ZL112A – EP1 **F** – A

①

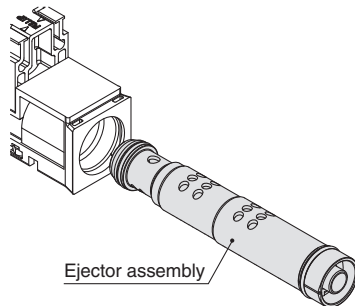
① Thread type

—	Rc thread
F	G thread
N	NPT thread



6 How to Order Ejector Assembly

ZL112A – EJ1 – A



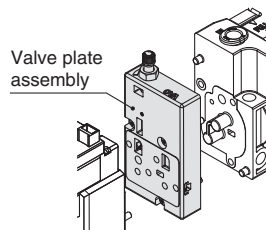
7 How to Order Valve Plate Assembly*1

ZL112A – VP **1** – A

①

① Supply valve/Release valve combination

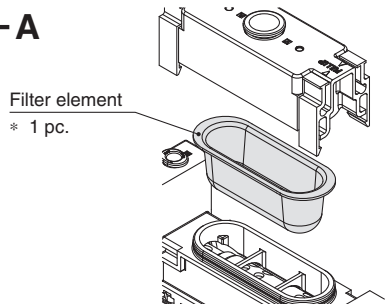
1	Supply valve + Release valve
2	Supply valve only



*1 It is not possible to switch between models with valves and models without valves.

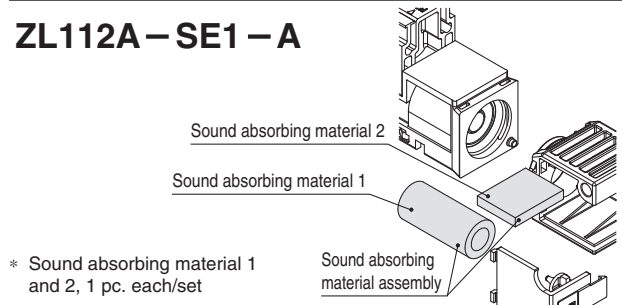
8 How to Order Filter Element

ZL112A – FE1 – A



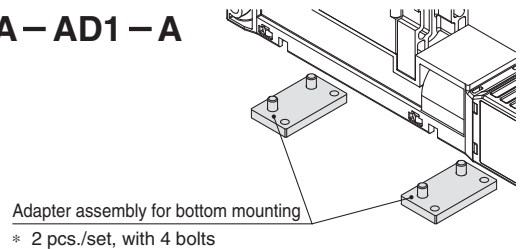
9 How to Order Sound Absorbing Material Assembly

ZL112A – SE1 – A



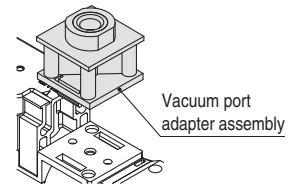
10 How to Order Adapter Assembly for Bottom Mounting

ZL112A – AD1 – A



How to Order Vacuum Port Adapter Assembly*2

ZL112A – AD2 – A



*2 A vacuum port adapter cannot be installed when “—” is selected for the pressure sensor.

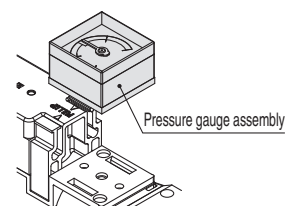
How to Order Pressure Gauge Assembly*3

ZL112A – PG **1** – A

①

① Units for pressure

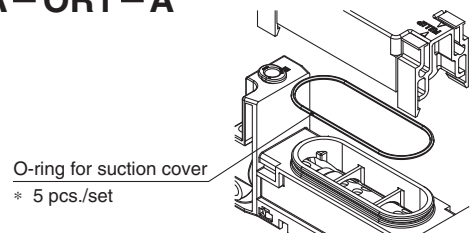
1	kPa
2	inHg-psi



*3 A pressure gauge cannot be installed when “—” is selected for the pressure sensor.

How to Order O-ring for Suction Cover

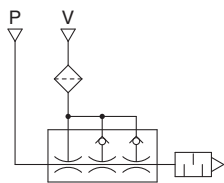
ZL112A – OR1 – A



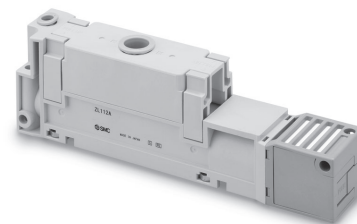
ZL1 Series

Dimensions

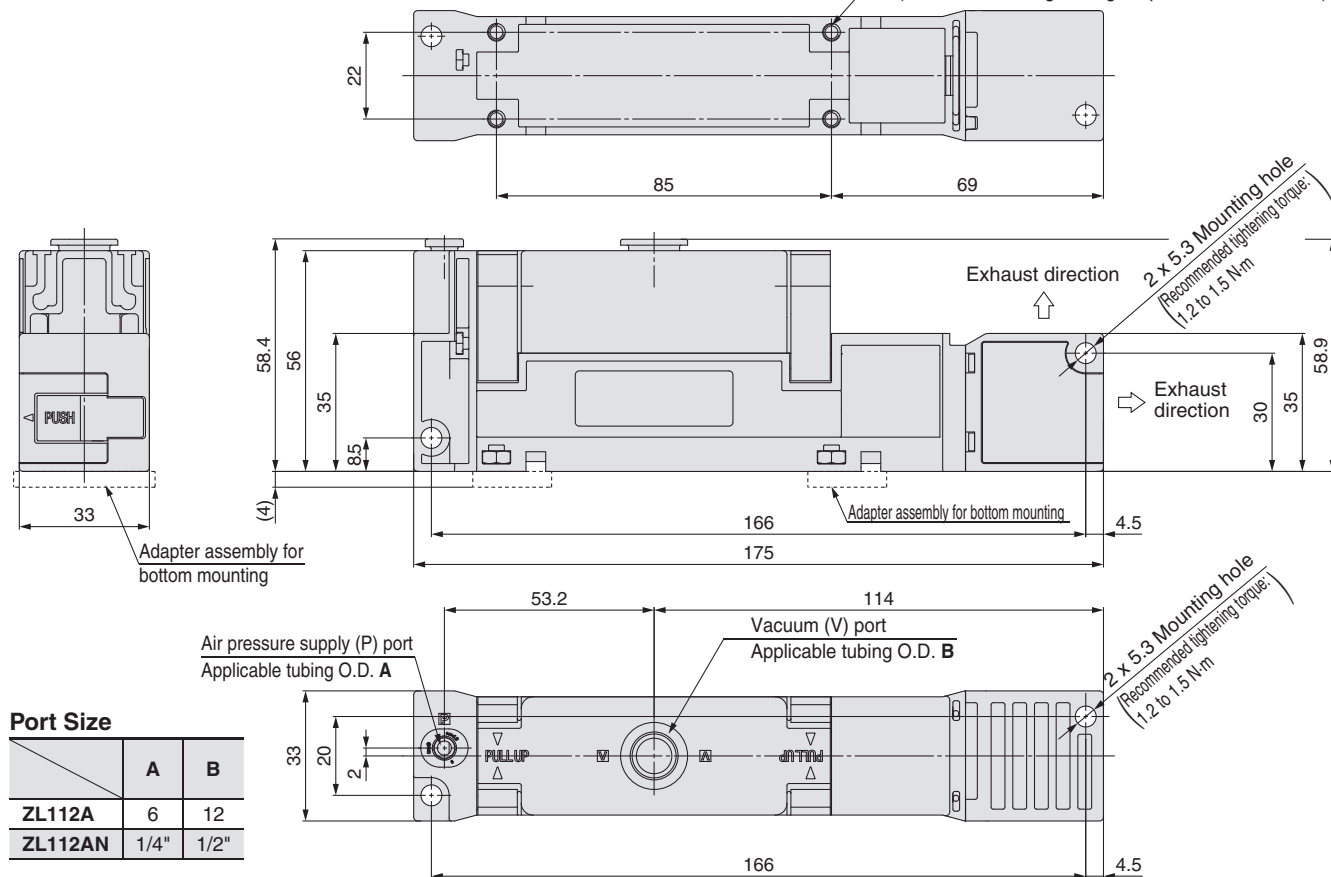
ZL112A(N) Without valve



Circuit diagram



4 x M4 x 0.7
Thread depth 6 (Mounting hole)
(Recommended tightening torque: 0.60 to 0.76 N-m)



Port Size

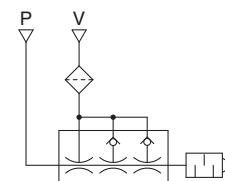
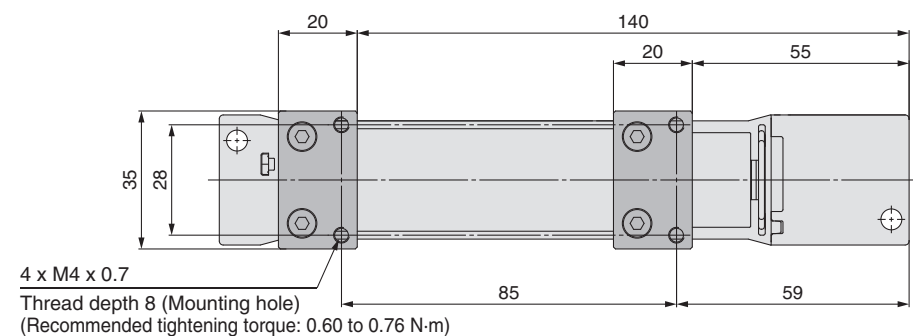
	A	B
ZL112A	6	12
ZL112AN	1/4"	1/2"

Release Button

	P port		V port	
	Colour	Type	Colour	Type
ZL112A	Light grey	Oval	Light grey	Round
ZL112AN	Orange	Round	Orange	Round

Option

ZL112A(N)-B With adapter assembly for bottom mounting

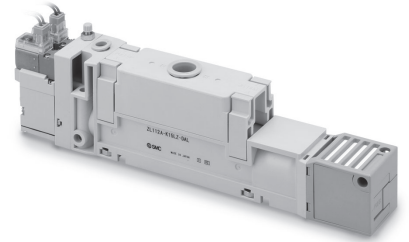


Circuit diagram

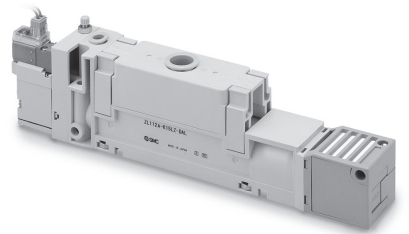
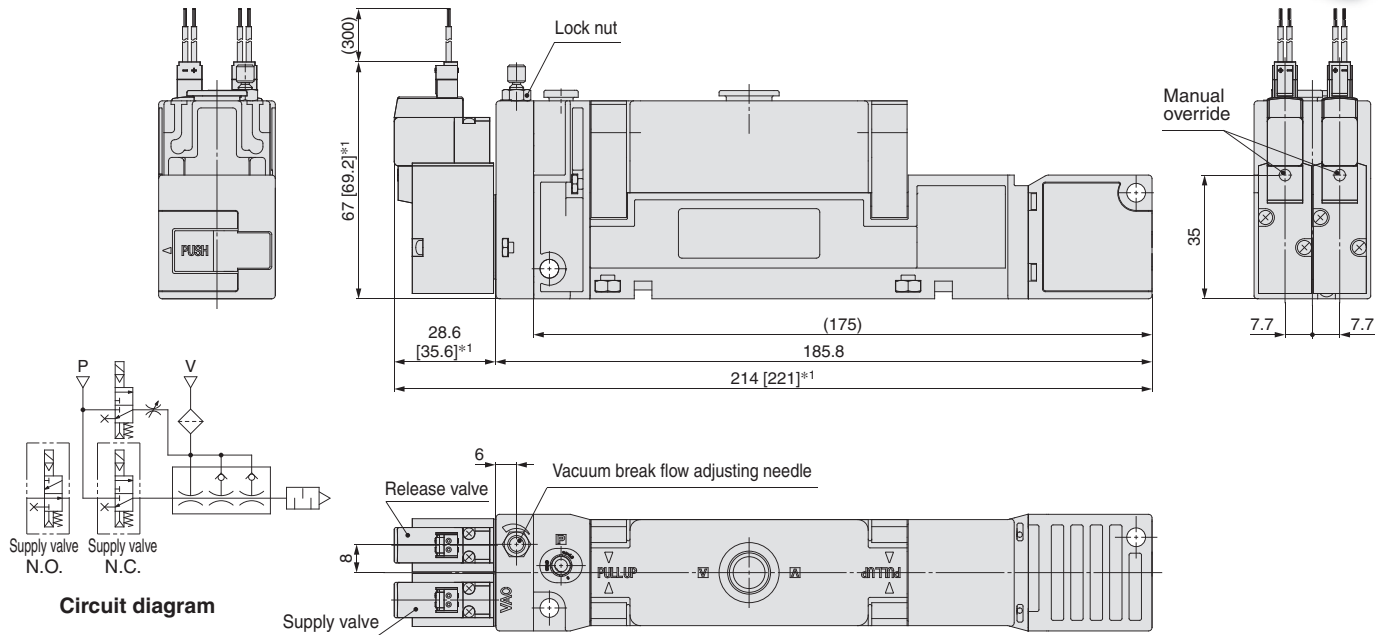
* Tighten to the recommended torque to mount the body.
Tightening with excessive force may damage the product.

Dimensions

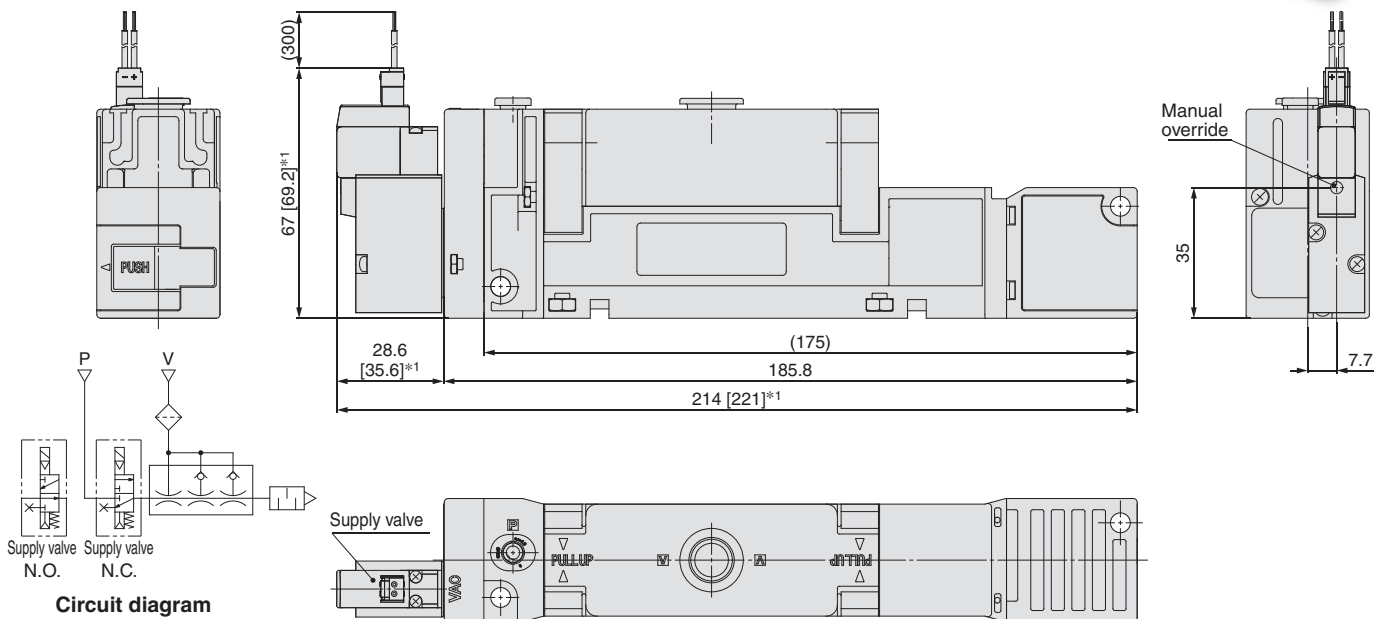
* Dimensions other than those shown below are the same as those of the type without a valve. Refer to the type without a valve on page 15 for details.



ZL112A-K1 □□□ With valve (Supply valve and release valve)



ZL112A-K2 □□□ With valve (Supply valve)



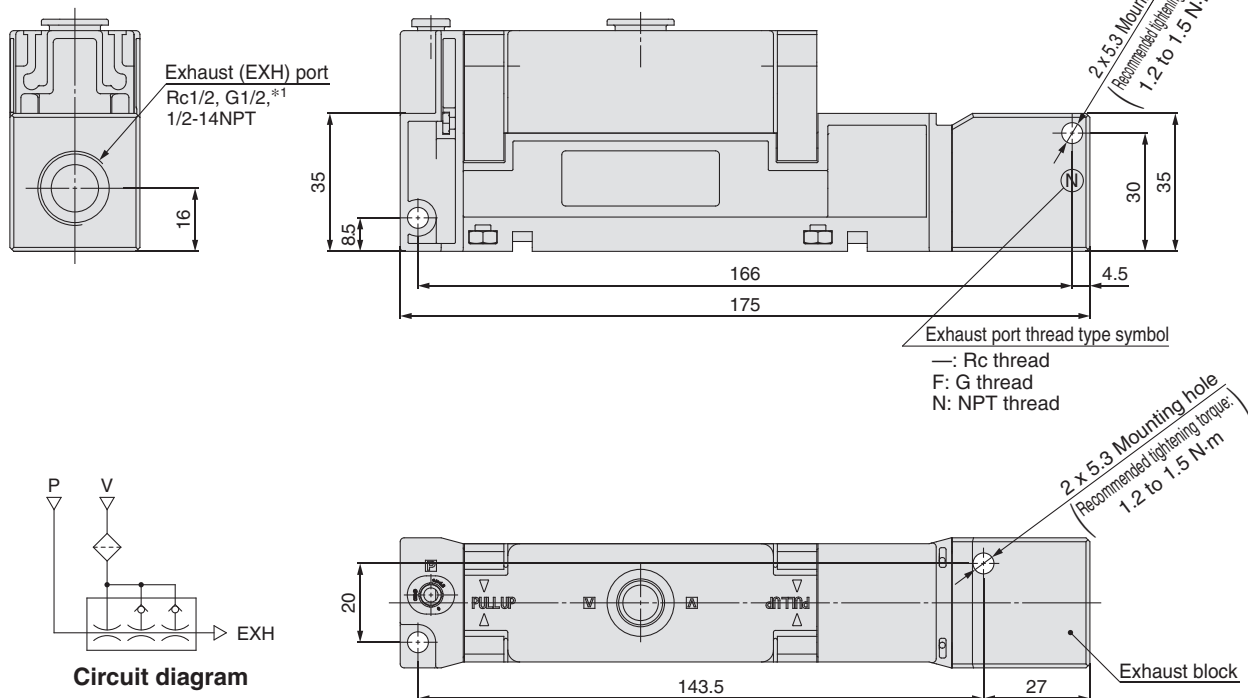
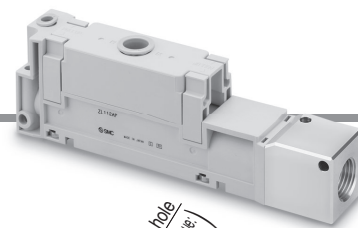
*1 [] for AC

* Tighten to the recommended torque on pages 15 and 17 to mount the body. Tightening with excessive force may damage the product.

ZL1 Series

Dimensions

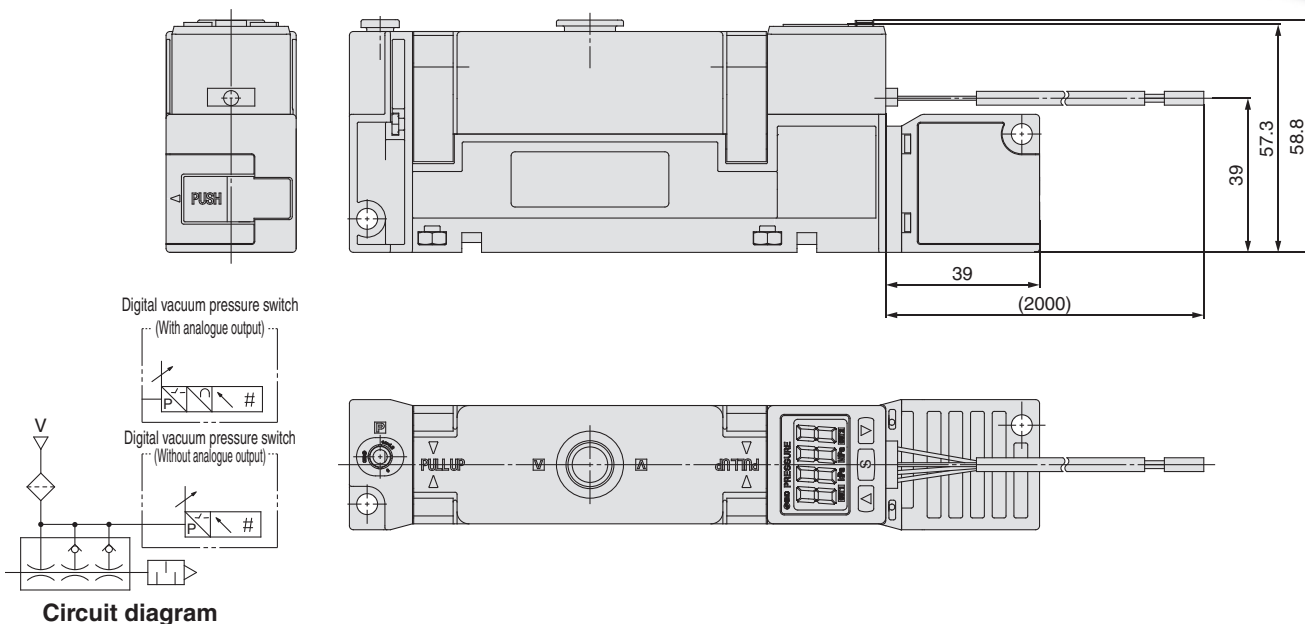
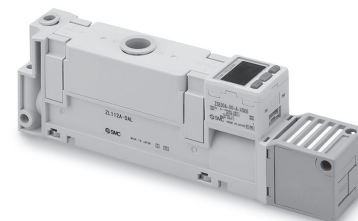
ZL112AP □ Port exhaust



*1 The thread ridge shape is in compliance with G thread standard ISO 228-1, but the other shapes are not in compliance with ISO 16030 or ISO 1179. Use a male thread with a length of 9 or less for connection.

* Hold the exhaust block when connecting piping to the exhaust port. (Recommended tightening torque: 20 to 25 N·m)

ZL112A-D □ □ □ With vacuum pressure switch

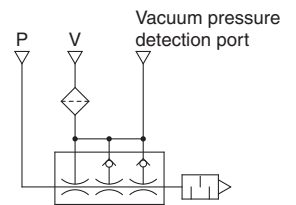
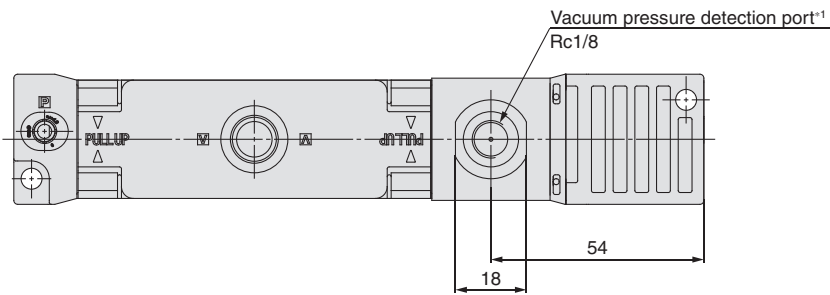
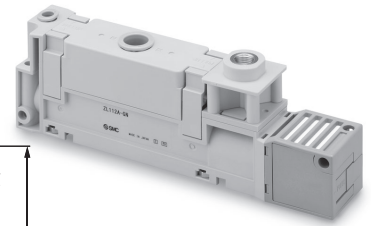
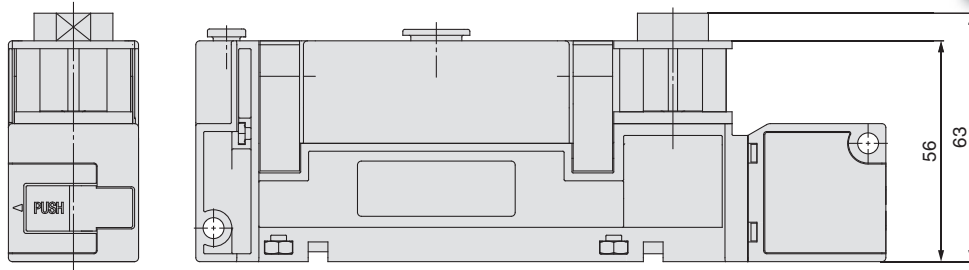


* Tighten to the recommended torque to mount the body. Tightening with excessive force may damage the product.

Dimensions

Options

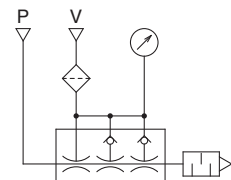
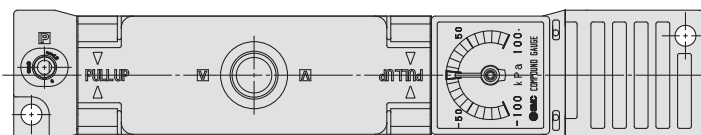
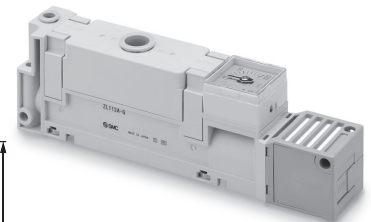
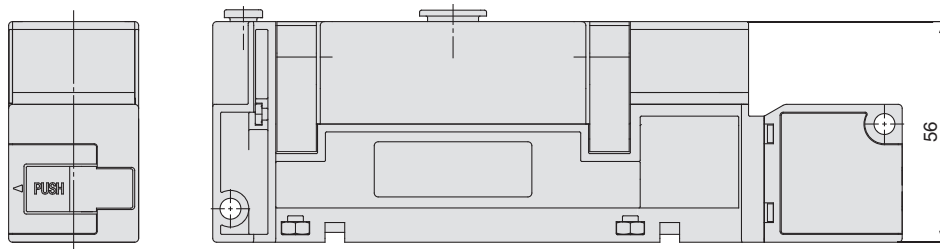
ZL112A-GN With vacuum pressure detection port



Circuit diagram

*1 Hold across the flats (18) when mounting a fitting to the vacuum pressure detection port. (Recommended tightening torque: 3 to 5 N·m)

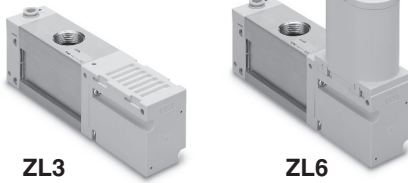
ZL112A-G With pressure gauge



Circuit diagram

* Tighten to the recommended torque on pages 15 and 17 to mount the body. Tightening with excessive force may damage the product.

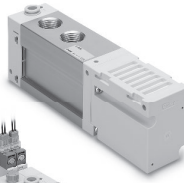
Without valve



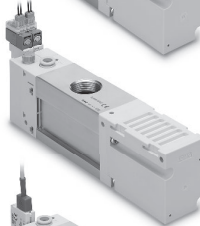
ZL3

ZL6

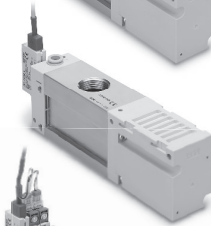
Branch



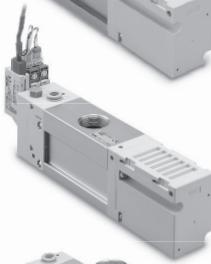
With valve



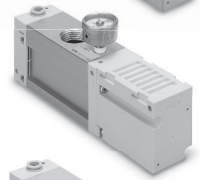
With pressure switch



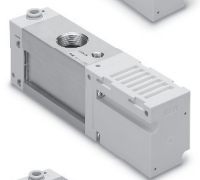
Pressure switch for vacuum with energy saving function



With pressure gauge



With vacuum pressure detection port



Port exhaust



Ejector Specifications

ZL3

Model		ZL3M□□	ZL3H□□
Nozzle size [mm]		1.9	1.5
Standard supply pressure [MPa]		0.35	0.50
Max. vacuum pressure [kPa]*1		-91	-93
Max. suction flow rate [l/min (ANR)]		280	
		Branch/Port exhaust	
		300	
Air consumption [l/min (ANR)]		150	135
Supply pressure range [MPa]		0.2 to 0.6	
Operating temperature range [°C]		-5 to 50 (No freezing or condensation)	
Fluid		Air	
Vibration resistance [m/s ²]*2		20	
Impact resistance [m/s ²]*3		100	

- *1 Values are at the standard supply pressure and based on SMC's measurement standards. They depend on atmospheric pressure (weather, altitude, etc.) and the measurement method.
- *2 10 to 500 Hz for 2 hours in each direction of X, Y, and Z (De-energised, Initial value)
- *3 3 times in each direction of X, Y, and Z (De-energised, Initial value)

ZL6

Model		ZL6M□□	ZL6H□□
Nozzle size [mm]		1.9 x 2	1.5 x 2
Standard supply pressure [MPa]	Without valve	0.35	0.50
	With valve	0.37	0.52
Max. vacuum pressure [kPa]*1		-91	-93
Max. suction flow rate [l/min(ANR)]		580	
		Branch/Port exhaust	
		600	
Air consumption [l/min(ANR)]		300	270
Supply pressure range [MPa]		0.2 to 0.6	
Operating temperature range [°C]		-5 to 50 (No freezing or condensation)	
Fluid		Air	
Vibration resistance [m/s ²]*2		20	
Impact resistance [m/s ²]*3		100	

- *1 Values are at the standard supply pressure and based on SMC's measurement standards. They depend on atmospheric pressure (weather, altitude, etc.) and the measurement method.
- *2 10 to 500 Hz for 2 hours in each direction of X, Y, and Z (De-energised, Initial value)
- *3 3 times in each direction of X, Y, and Z (De-energised, Initial value)

Supply Valve/Release Valve Specifications

Model	ZL3-JSY3140
Response time (at 0.5 MPa)	27 ms or less*1
Max. operating frequency	5 Hz
Manual override	Non-locking push type, Push-turn locking slotted type, Push-turn locking lever type
Rated coil voltage	24 VDC
Allowable voltage range	Rated voltage ±10 %
Power consumption	0.4 W

- *1 Based on JIS B 8419: 2010 dynamic performance test (Coil temperature 20 °C, at rated voltage)
- *2 Refer to the **Web Catalogue** for details on the JSY3000 series.

Pressure Gauge Specifications

Model	GZ33-K1K-01-X56	GZ33-P1C-N01-X55
Pressure unit	kPa	inHg/psi dual scale
Pressure range	-100 to 100 kPa	-30 inHg to 14 psi
Connection thread	R1/8	NPT1/8
Accuracy	Vacuum ±3 % F.S., Positive pressure ±5 % F.S.	
Weight	30 g	

Noise Level (Reference values)

Model	ZL3	ZL6
Noise level [dB(A)]	68	

Actual values under SMC's measurement conditions (Not guaranteed values)

* The solenoid valve mounted on this product is the SMC 5-port solenoid valve JSY3000 series.

For details on solenoid valve functions, refer to the Operation Manual of the JSY3000 series on the SMC website (<https://www.smc.eu>).

5-port solenoid valve JSY3000 series

(ZL3-) JSY3140 - 5 □ Z □

Multistage ejector ZL_{3/6} series

ZL_{3/6} □ □ □ □ - 5 □ Z □ - □ □ □ □ - □

Manual override

Electrical entry

Refer to page 26.

* The vacuum pressure switch mounted on this product is equivalent to our SMC product, the ZSE10 series compact digital pressure switch.

For details on compact digital pressure switch functions, refer to the Operation Manual of the ZSE10 series on the SMC website (<https://www.smc.eu>).

● Pressure switch correspondence table

Compact digital pressure switch
ZSE10 series

ZSE10 □-□-□-□-□-□

Multistage ejector
ZL3/ZL6 series

ZL □□□□□-□□□□□□□-□

Rated pressure range

Output

Unit

Lead wire

* Except pressure switch with energy saving function

Vacuum Pressure Switch Specifications

Model	ZSE10		
	Vacuum pressure switch	Compound pressure switch	Pressure switch for vacuum with energy saving function
Rated pressure range	0 to -101 kPa	-100 to 100 kPa	
Set pressure range/Display pressure range	10 to -101 kPa	-105 to 105 kPa	
Withstand pressure	500 kPa		
Smallest settable increment	0.1 kPa		
Applicable fluid	Air, Non-corrosive gas, Non-flammable gas		
Power supply voltage	12 to 24 VDC ±10 %, Ripple (p-p) 10 % or less (with power supply polarity protection)		
Current consumption	40 mA or less		
Switch output	NPN or PNP open collector 2 outputs (selectable)		NPN or PNP open collector OUT1: General purpose OUT2: Valve control
Max. load current	80mA		
Max. applied voltage	28 V (at NPN output)	26.4 V (at NPN output)	
Residual voltage	2 V or less (with load current of 80 mA)		
Response time	2.5 ms or less (with anti-chattering function: 20, 100, 500, 1000, 2000 ms)		
Short-circuit protection	Yes		
Repeatability	±0.2 % F.S. ±1 digit		
Hysteresis	Hysteresis mode Variable (0 or above)*1		
	Window comparator mode	Variable (0 or above)*1	—
Display	3 1/2 digit, 7-segment LED, 1-colour display (Red)		
Display accuracy	±2 % F.S. ±1 digit (Ambient temperature of 25 ±3 °C)		
Indicator light	Lights up when switch output is turned ON. OUT1: Green, OUT2: Red		
Environmental resistance	Enclosure	IP40	
	Operating temperature range	Operating: -5 to 50 °C (No freezing or condensation) Stored: -10 to 60 °C	
	Operating humidity range	Operating/Stored: 35 to 85 % RH (No condensation)	
	Withstand voltage	1000 VAC for 1 minute between terminals and housing	
	Insulation resistance	50 MΩ or more (500 VDC measured via megohmmeter) between terminals and housing	
	Temperature characteristics	±2 % F.S. ±1 digit (at 25 °C in an ambient temperature of -5 and 50 °C)	
Lead wire	Oilproof heavy-duty vinyl cable 5 cores Conductor area: 0.15 mm ² (AWG26) Insulator O.D.: 1.0 mm		
Standards	CE/UKCA, RoHS compliant		

*1 If the applied pressure fluctuates around the set value, the hysteresis must be set to a value more than the fluctuating width. Otherwise, chattering will occur.

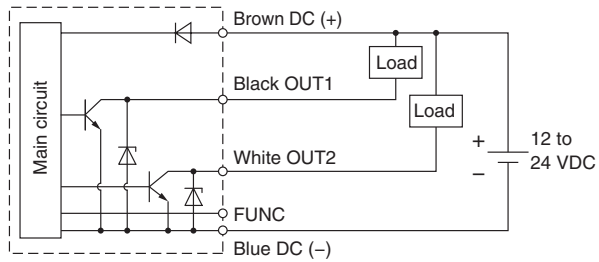
Weight

[g]

Model	ZL3	ZL6
Basic type	390	470
Port exhaust	+80	+25
Vacuum pressure switch (Excluding lead wire)	+20	+20
Vacuum pressure switch (Including lead wire)	+60	+60
With supply valve and release valve	+120	+120
With supply valve and without release valve	+80	+80
With pressure gauge	+30	+30
With adapter assembly for bottom mounting	+60	—

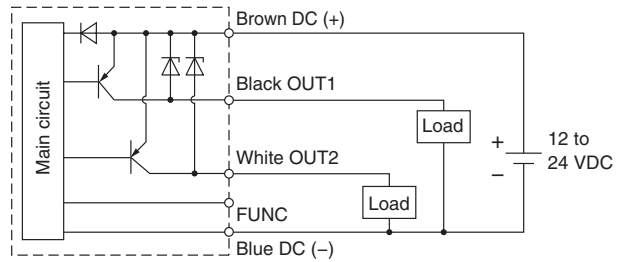
Internal Circuits and Wiring Examples

■ Vacuum pressure switch NPN (2 outputs)



Max. 28 V, 80 mA
Residual voltage 2 V or less

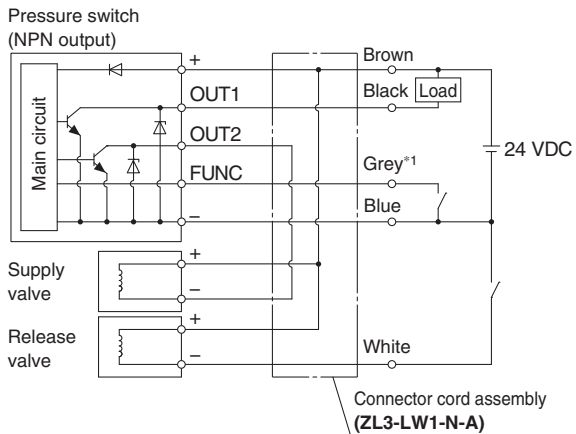
PNP (2 outputs)



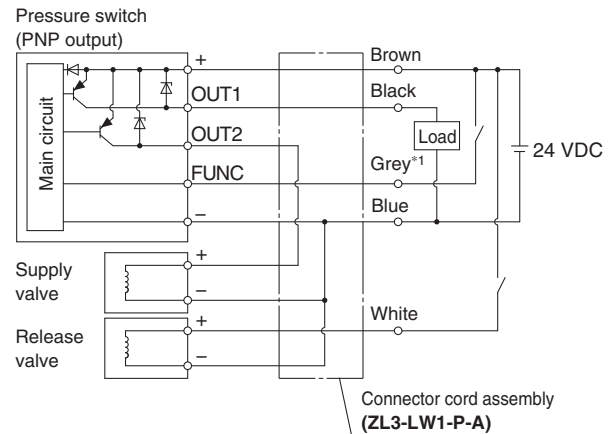
Max. 28 V, 80 mA
Residual voltage 2 V or less

* The FUNC terminal is connected when using the copy function.
(For details, refer to the Operation Manual for the ZSE10/ISE10 on the SMC website.)

■ Pressure switch for vacuum with energy saving function NPN (1 output)



PNP (1 output)

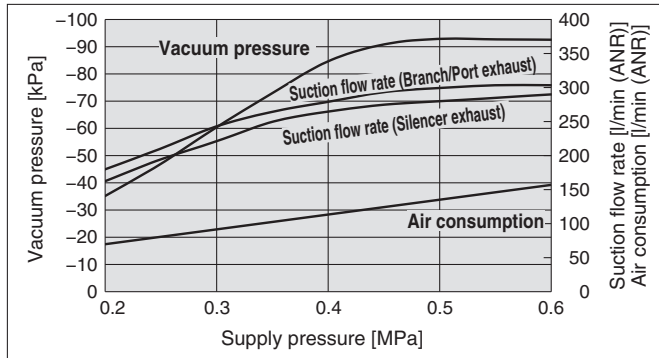


*1 The gray wire (FUNC) is connected when operating the supply valve by energy saving control (for workpiece adsorption).
(For details, refer to the Operation Manual for the ZSE10 (For ZL3, ZL6 series) on the SMC website.)

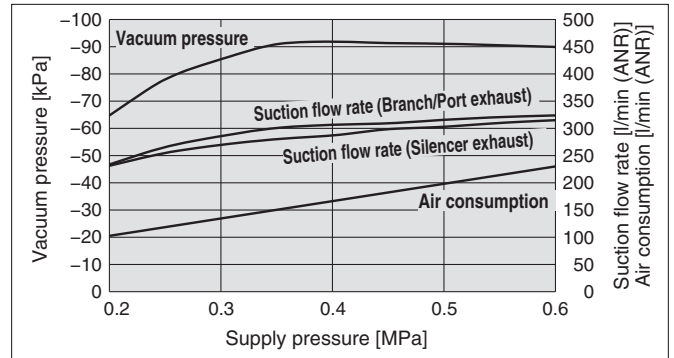
ZL3/ZL6 Series

Exhaust Characteristics (Representative value)

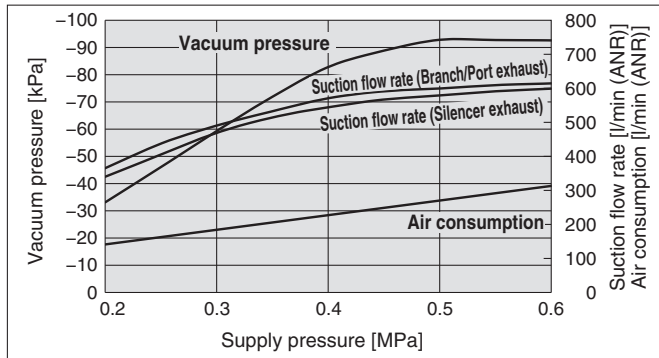
ZL3H



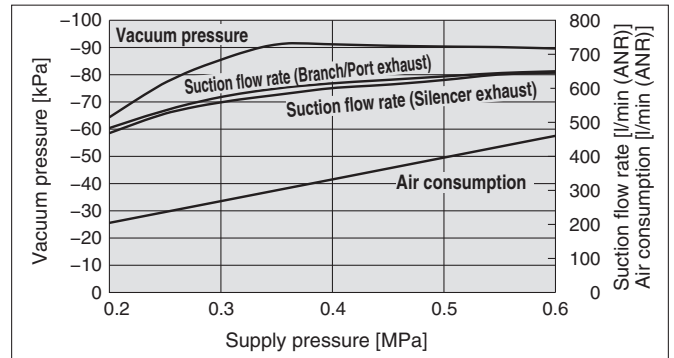
ZL3M



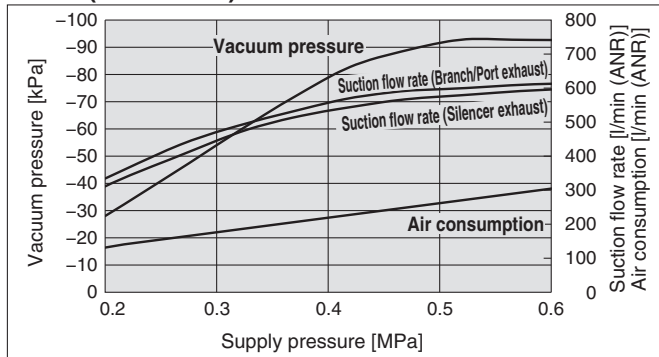
ZL6H



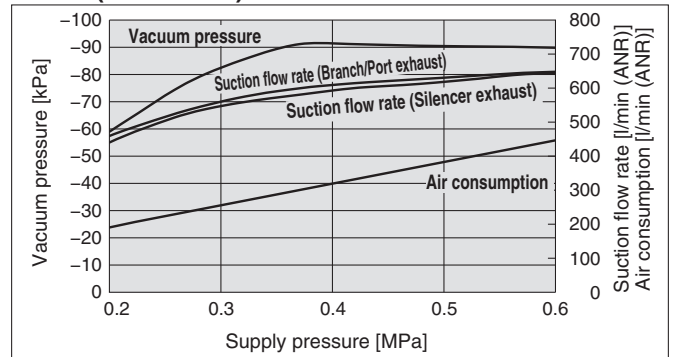
ZL6M



ZL6H (With valve)



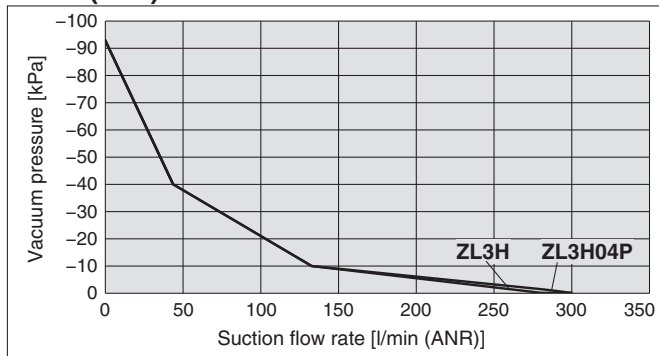
ZL6M (With valve)



Flow Rate Characteristics (Representative value)

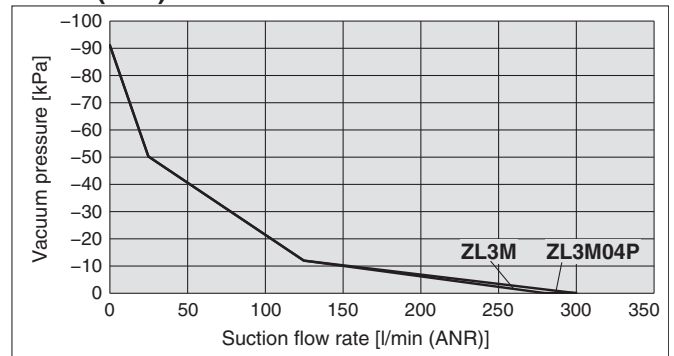
ZL3H (04P)

Supply pressure: 0.5 MPa



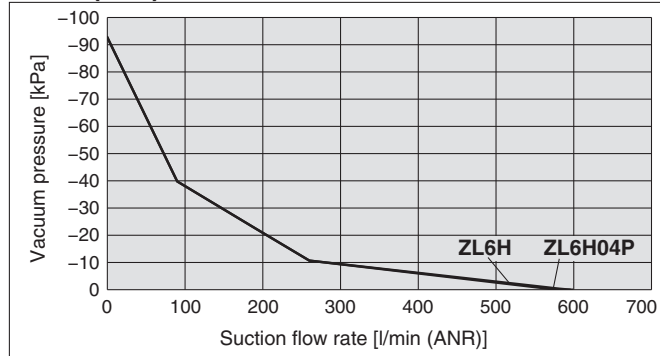
ZL3M (04P)

Supply pressure: 0.35 MPa

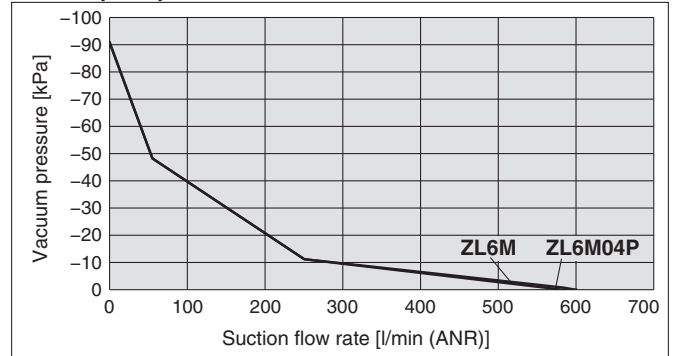


Flow Rate Characteristics (Representative value)

ZL6H (04P) Supply pressure: 0.5 MPa/0.52 MPa (With valve)

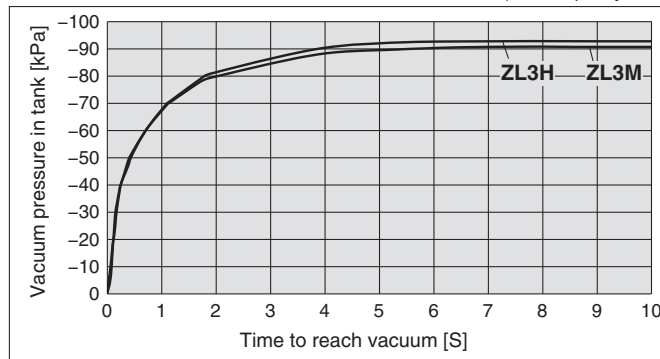


ZL6M (04P) Supply pressure: 0.35 MPa/0.37 MPa (With valve)

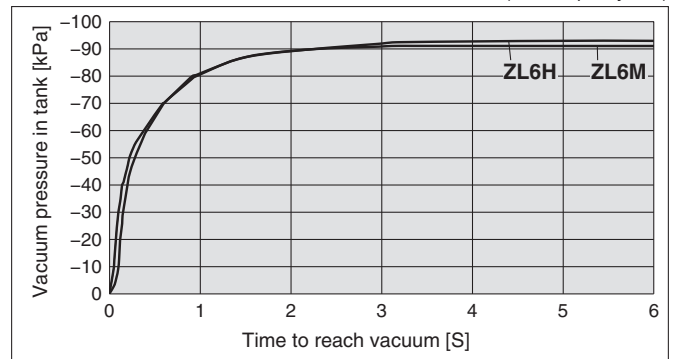


Time to Reach Vacuum (Representative value)

ZL3 (Tank capacity: 1 L)

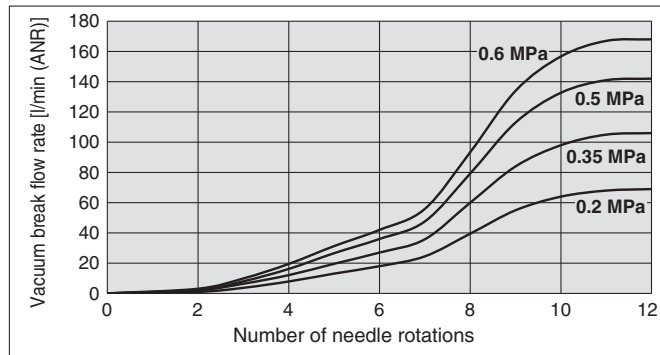


ZL6 (Tank capacity: 1 L)



Break Flow Rate Characteristics (Representative value)

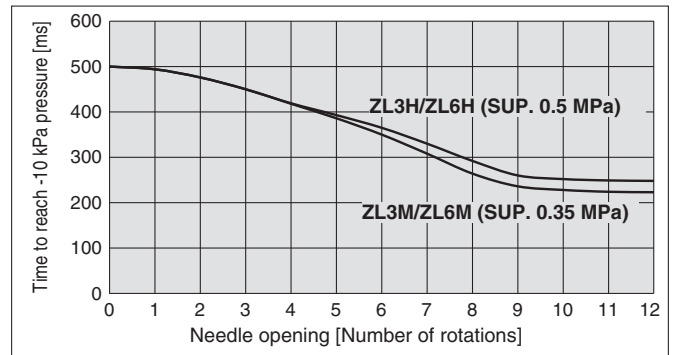
Break flow rate supplied to vacuum area at different needle openings and at each supply pressure



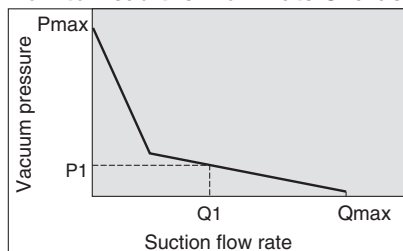
* The flow rate is not the flow rate output from the vacuum port. The break flow rate is also output on the exhaust side of the product, and the output flow rate from the vacuum port fluctuates depending on the piping conditions of the vacuum port.

Vacuum Breaking Time (Representative value)

Max. vacuum pressure → Time to reach -10 kPa (Tank capacity: 1 L)



How to Read the Flow Rate Characteristics



The flow rate characteristics indicate the relationship between the vacuum pressure and the suction flow rate of the ejector. They also show that when the suction flow rate changes, the vacuum pressure also changes. In general, this indicates the relationship at the ejector's standard operating pressure.

In the graph, Pmax indicates the max. vacuum pressure, and Qmax indicates the max. suction flow rate. These are the values that are published as specifications in catalogues, etc. Changes in vacuum pressure are explained below.

1. If the ejector's suction port is closed and sealed tight, the suction flow rate becomes "0," and the vacuum pressure increases to the max. (Pmax).
2. If the suction port is opened and air is allowed to flow (the air leaks), the suction flow rate increases, and the vacuum pressure decreases. (The condition of P1 and Q1)
3. If the suction port is opened completely, the suction flow rate increases to the max. (Qmax), while the vacuum pressure then drops almost to "0" (atmospheric pressure). When adsorbing workpieces which are permeable, subject to leakage, etc., caution is required as the vacuum pressure will not be very high.

How to Read the Time to Reach Vacuum

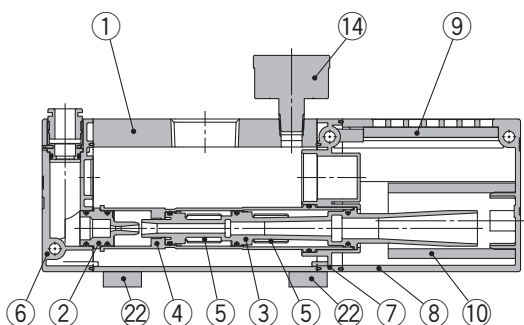
The graphs indicate the time required to reach a vacuum pressure determined by adsorption conditions for workpieces, etc., starting from atmospheric pressure in a 1 L sealed tank. For the ZL3H, approximately 4.0 seconds are necessary to attain a vacuum pressure of -90 kPa.

ZL3/ZL6 Series

Construction

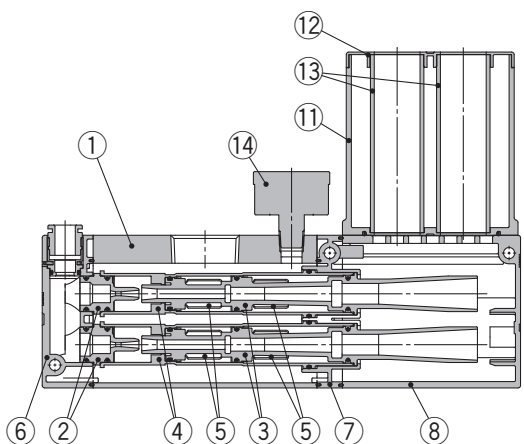
ZL3

Without valve or pressure switch, Silencer exhaust



ZL6

Without valve or pressure switch, Silencer exhaust

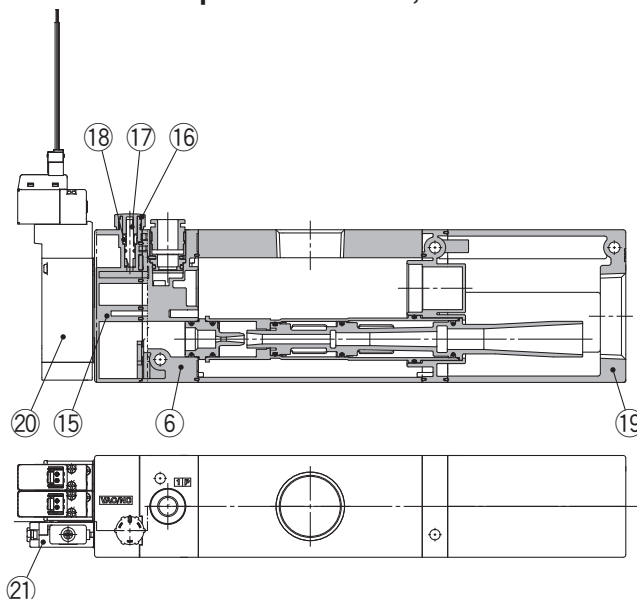


Component Parts

No.	Description	Material	Note
1	Body	Aluminum alloy (Anodized)	—
2	Nozzle	POM	Refer to 2 on page 26 for replacement parts.
3	Diffuser	PBT	
4	Attachment	POM	
5	Check valve	FKM	
6	Front adapter	PBT	—
7	End adapter	PBT	—
8	Silencer case 1	PBT	Refer to 1 on page 26 for replacement parts.
9	Sound absorbing material 1	Resin	Refer to 4 on page 26 for replacement parts.
10	Sound absorbing material 2	Non-woven fabric	
11	Silencer case 2	PBT	Refer to 5 on page 26 for replacement parts.
12	Silencer cap	POM	—
13	Sound absorbing material 3	Non-woven fabric	(Disassembly is not possible. The silencer assembly must be replaced.)

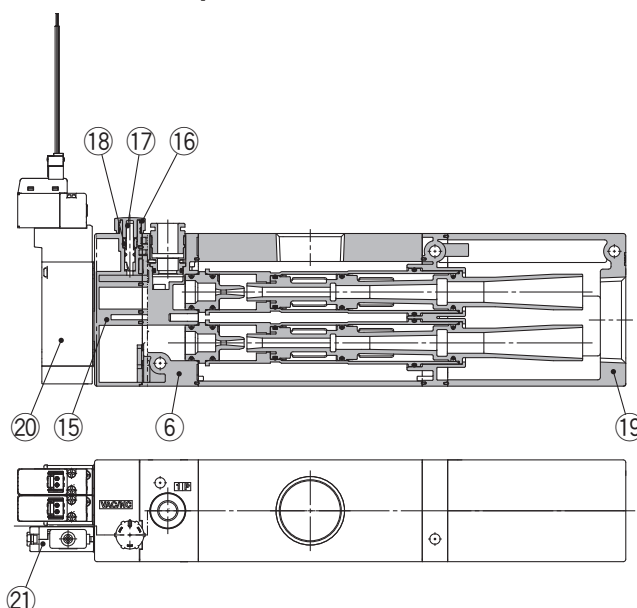
ZL3

With valve and pressure switch, Port exhaust



ZL6

With valve and pressure switch, Port exhaust



No.	Description	Material	Note
14	Pressure gauge	—	Refer to 1 on page 26 for replacement parts.
15	Valve plate	PBT	—
16	Knob	POM	—
17	Needle	PBT	—
18	Needle guide	Brass (Electroless nickel plating)	—
19	Exhaust block	Aluminum alloy (Chromated, Painted)	Refer to 6 on page 26 for replacement parts.
20	Supply valve, Release valve	—	Refer to 1 on page 26 for replacement parts.
21	Vacuum pressure switch	—	—
22	Adapter assembly for bottom mounting	Brass (Electroless nickel plating)	Refer to 8 on page 26 for replacement parts.
—	Seal material (O-ring, etc.)	HNBR/NBR	—
—	Screws for assembly	Steel (Trivalent chromated)	—

How to Order Replacement Parts

1 How to Order Supply Valve/Release Valve (For ZL3/ZL6)

ZL3 – JSY3140 – 5 L Z — —

Rated voltage 24 VDC

With light/surge voltage suppressor

Supply valve/Release valve
* (With 2 mounting screws)

1 Electrical entry

L plug connector		M plug connector	
L	LO	M	MO
L: With lead wire (300 mm)	LO: Without connector	M: With lead wire (300 mm)	MO: Without connector

2 Manual override

—: Non-locking push type 	D: Push-turn locking slotted type 	E: Push-turn locking lever type
------------------------------	---------------------------------------	-------------------------------------

3 Supply valve/Release valve

—	Supply valve
X12	Release valve

How to Order Lead Wire with Connector Assembly for Supply Valve/Release Valve (For ZL3/ZL6)

SY100 – 30 – 4 A – 6

Rated voltage 24 VDC

Lead wire assembly with connector for supply valve and release valve

1 Lead wire length

—	300 mm
6	600 mm
10	1000 mm
15	1500 mm
20	2000 mm
25	2500 mm
30	3000 mm
50	5000 mm

How to Order Connector and Socket for Supply Valve/Release Valve (For ZL3/ZL6)

SY100 – 30 – A

* With connector and 2 sockets only

How to Order Lead Wire with Connector for Vacuum Pressure Switch (For ZL3/ZL6)

(When an individual lead wire is necessary, order with the part number below.)

- Lead wire with connector for vacuum pressure switch

ZS – 39 – 5G

Lead wire with connector for vacuum pressure switch

- Lead wire with connector for switch with energy saving function

ZL3 – LW1 – N – A

Lead wire with connector for switch with energy saving function

1 Output

N	NPN open collector
P	PNP open collector

⚠ Note that the vacuum pressure switch cannot be replaced.

2 How to Order Ejector Assembly (For ZL3/ZL6)

ZL3 – EJ1 – H — —

Ejector assembly

1 Standard supply pressure

M	0.35 MPa
H	0.50 MPa

2 1-stage check valve

—	None
V	Yes

A 1-stage check valve is required for specifications with pressure switches with an energy saving function.

3 How to Order Silencer Assembly (With sound absorbing material) (For ZL3)

ZL3 – SC1 – A

Silencer assembly (With sound absorbing material)

4 How to Order Sound Absorbing Material Assembly (For ZL3)

ZL3 – SE1 – A

Sound absorbing material assembly

* Sound absorbing material 1 and 2, 1 pc. each/set

5 How to Order Silencer Assembly (With sound absorbing material) (For ZL6)

ZL6 – SC1 – A

Silencer assembly (With sound absorbing material)

6 How to Order Exhaust Block Assembly (For ZL3/ZL6)

ZL3 – EP1 – 1 — —

1 Thread type

—	Rc thread
F	G thread
N	NPT thread

Exhaust block assembly

7 How to Order Pressure Gauge (For ZL3/ZL6)

GZ33 – K1K – 01 – X56
(Displayed in kPa)

GZ33 – P1C – N01 – X55
(Displayed in inHg-psi)*1

Pressure gauge

*1 Under the New Measurement Act, products with inHg-psi unit specifications are not permitted for use in Japan.

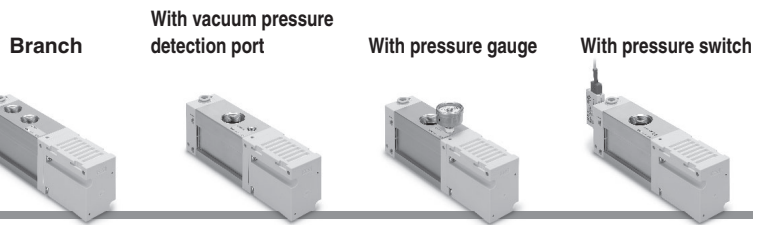
8 How to Order Adapter Assembly for Bottom Mounting (For ZL3)

ZL3 – AD3 – A

Adapter assembly for bottom mounting

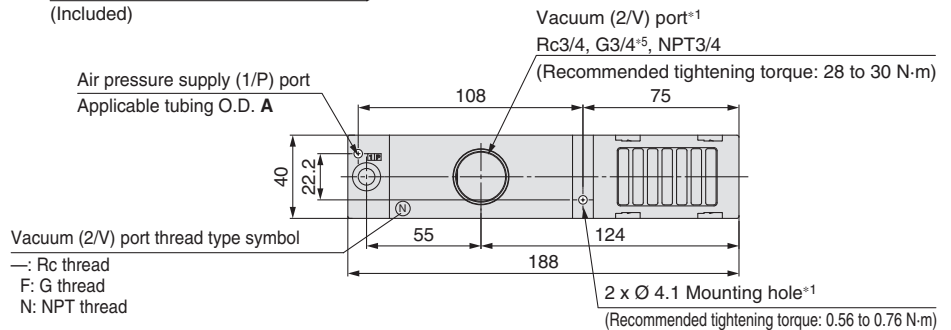
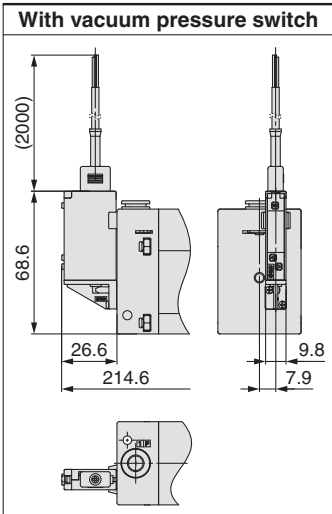
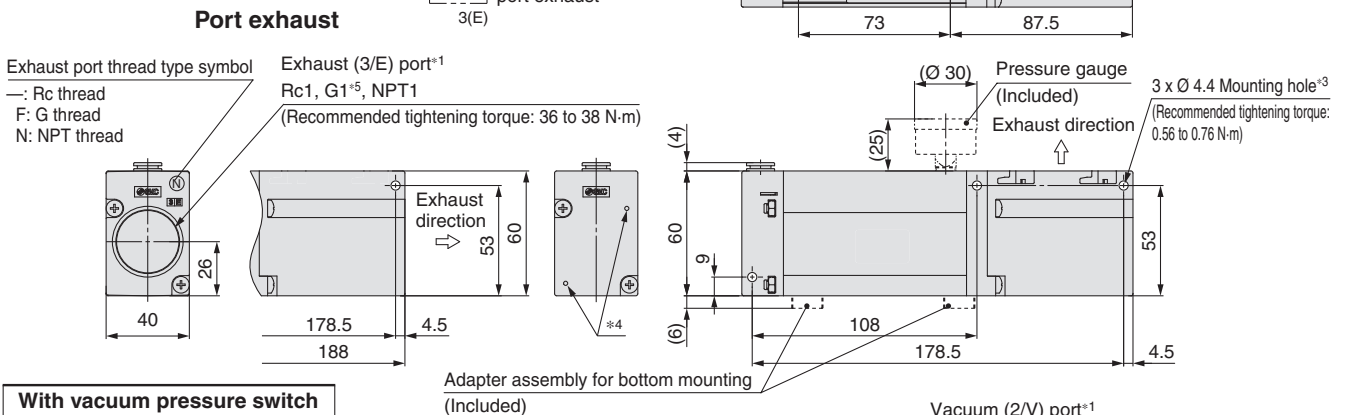
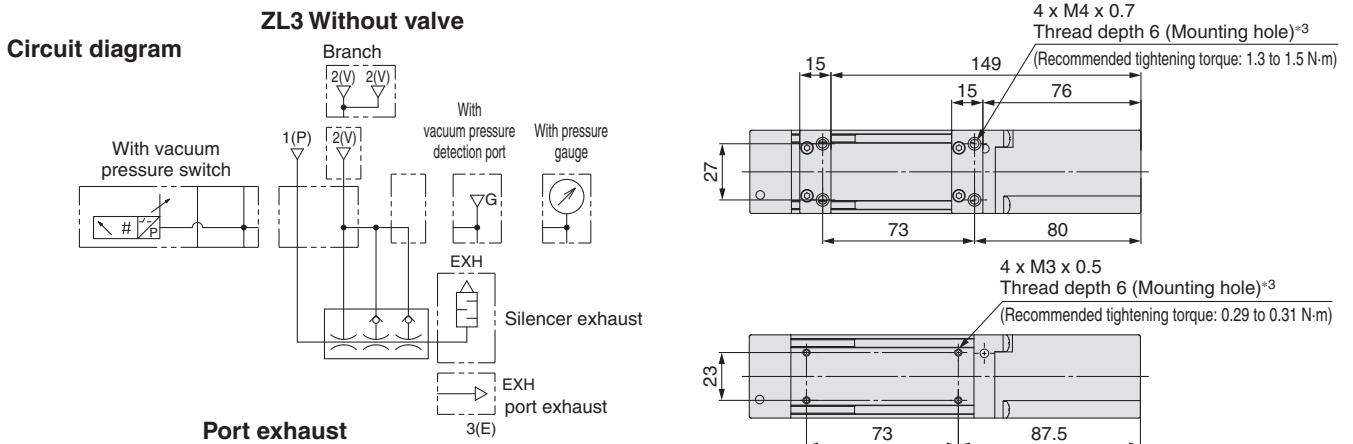
* 2 pcs./set, with 4 bolts

ZL3/ZL6 Series



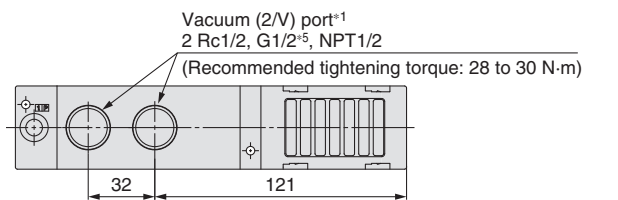
Dimensions

ZL3□□□-□□□□□□□ Without valve



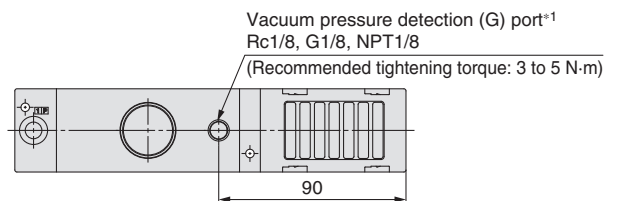
Options

Branch



With vacuum pressure detection port

* Refer to the vacuum port figure above for the branch specification.

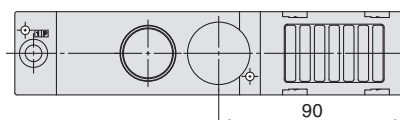


Air pressure supply (1/P) port applicable tubing O.D.

	A	Release button colour
ZL3□□	8	Light grey
ZL3□□N	5/16"	Orange

With pressure gauge

* Refer to the vacuum port figure above for the branch specification.

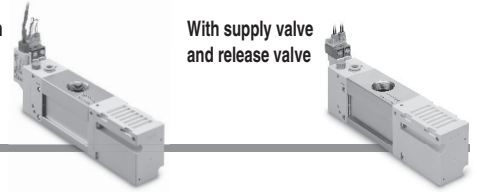


- *1 To connect piping to the vacuum port and vacuum pressure detection port, hold the aluminium alloy body, then connect the piping.
- *2 Hold the exhaust block when connecting piping to the exhaust port. It is recommended that piping with an inner diameter of 21.7 or more be used.
- *3 Tighten to the recommended torque to mount the body. Tightening with excessive force may damage the product.
- *4 These holes are required for the forming of the product. They are not exhaust ports.
- *5 The thread ridge shape is in compliance with G thread standard ISO 228-1, but the other shapes are not in compliance with ISO 16030 or ISO 1179. Use a male thread with a length of 10.5 or less for the vacuum port and 11.5 or less for the exhaust port for connection.

Multistage Ejector **ZL3/ZL6 Series**

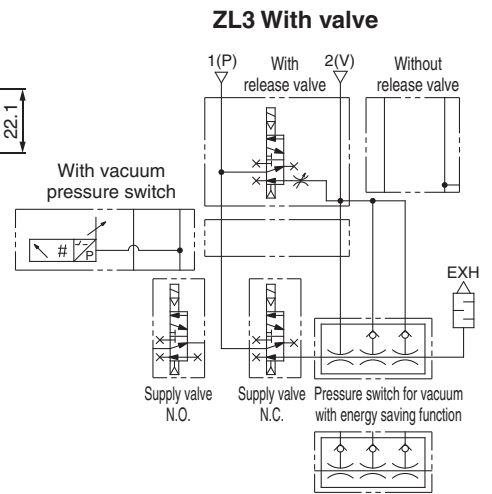
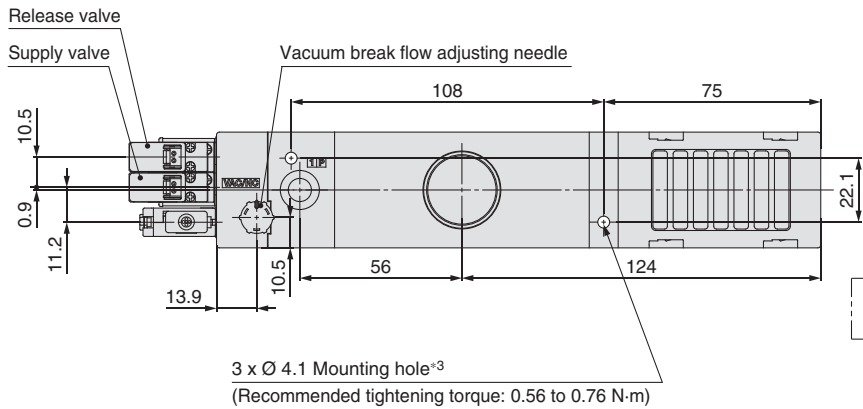
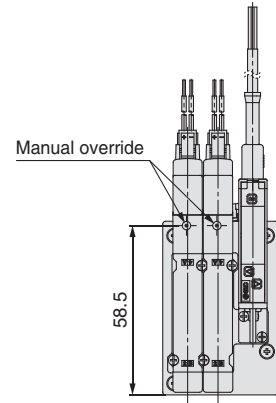
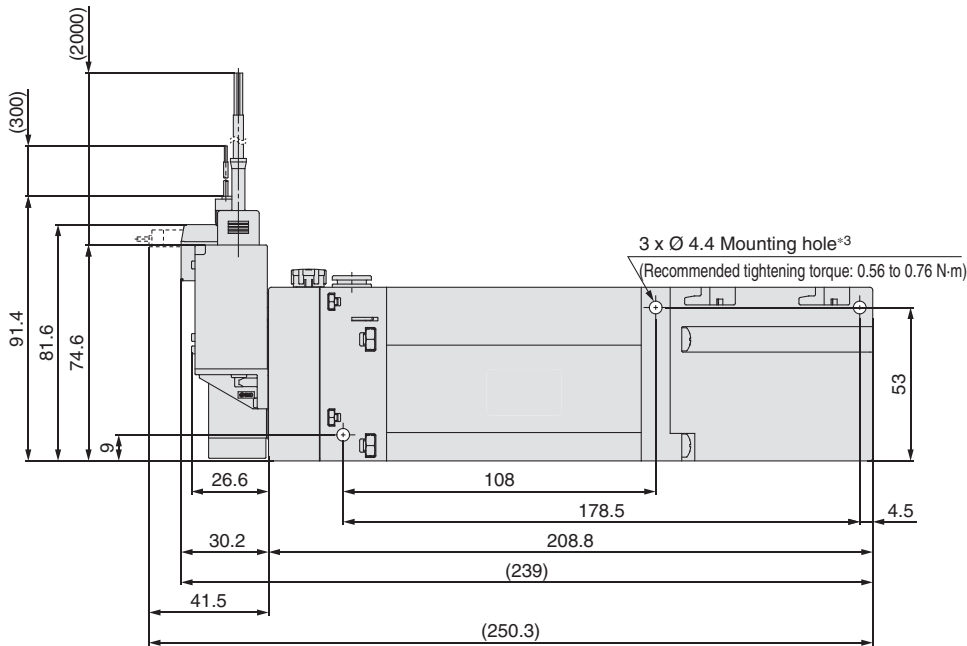
With pressure switch for vacuum with energy saving function

With supply valve and release valve



Dimensions

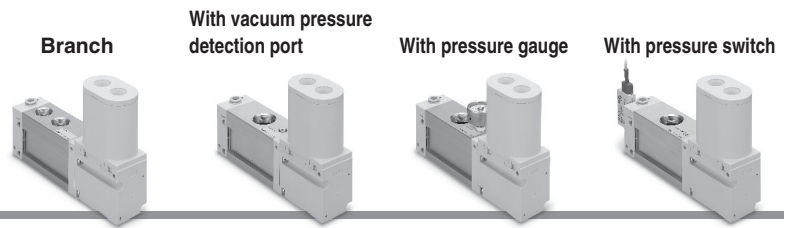
ZL3□□□-K1 B1 5□Z□-E F □□□ With valve (With supply valve, release valve and vacuum pressure switch)



Circuit diagram

ZL3□□□-K2 B2 5□Z□-E F □□□	ZL3□□□-K2 B2 5□Z□	ZL3□□□-K1 B1 5□Z□	ZL3□□□-K1 B1 5L0Z-V□□W
With supply valve and vacuum pressure switch	With supply valve	With supply valve and release valve	With pressure switch for vacuum with energy saving function

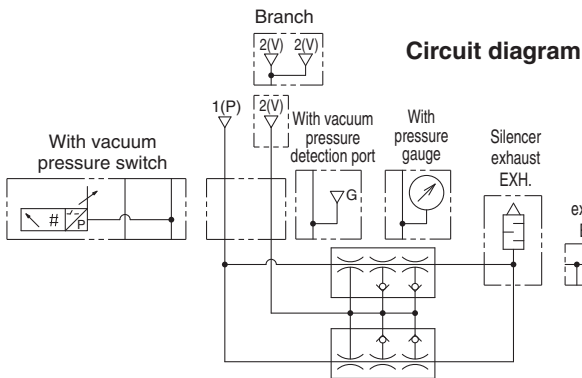
ZL3/ZL6 Series



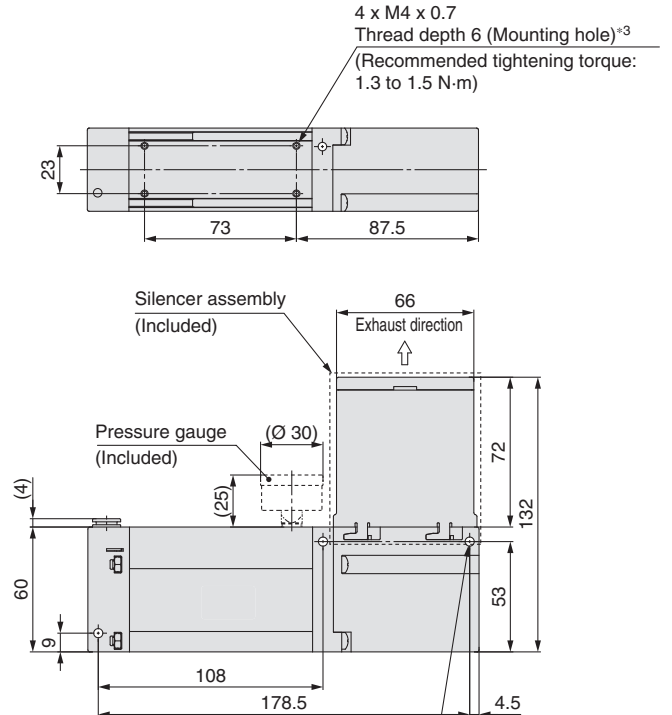
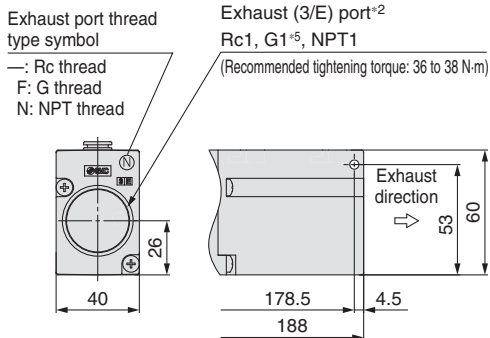
Dimensions

ZL6□□□□-□□□□ (Without supply valve or release valve)

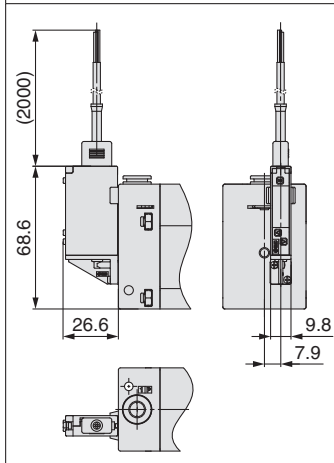
ZL6 Without valve



Port exhaust



With vacuum pressure switch



Vacuum (2/V) port^{*1}
Rc3/4, G3/4⁺⁵, NPT3/4
(Recommended tightening torque: 28 to 30 N-m)

Air pressure supply (1/P) port
Applicable tubing O.D. A

Vacuum (2/V) port thread type symbol
—: Rc thread
F: G thread
N: NPT thread

Branch

Vacuum (2/V) port^{*1}
2 Rc1/2, G1/2⁺⁵, NPT1/2
(Recommended tightening torque: 28 to 30 N-m)

Vacuum pressure detection (G) port^{*1}
Rc1/8, G1/8, NPT1/8
(Recommended tightening torque: 3 to 5 N-m)

With vacuum pressure detection port

* Refer to the vacuum port figure above for the branch specification.

With pressure gauge

* Refer to the vacuum port figure above for the branch specification.

Air pressure supply (1/P) port applicable tubing O.D.

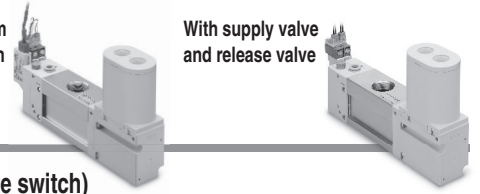
	A	Release button colour
ZL6□□□□	8	Light grey
ZL6□□N□□□	5/16"	Orange

- *1 To connect piping to the vacuum port and vacuum pressure detection port, hold the aluminium alloy body, then connect the piping.
- *2 Hold the exhaust block when connecting piping to the exhaust port. It is recommended that piping with an inner diameter of 21.7 or more be used.
- *3 Tighten to the recommended torque to mount the body. Tightening with excessive force may damage the product.
- *4 These holes are required for the forming of the product. They are not exhaust ports.
- *5 The thread ridge shape is in compliance with G thread standard ISO 228-1, but the other shapes are not in compliance with ISO 16030 or ISO 1179. Use a male thread with a length of 10.5 or less for the vacuum port and 11.5 or less for the exhaust port for connection.

Multistage Ejector **ZL3/ZL6 Series**

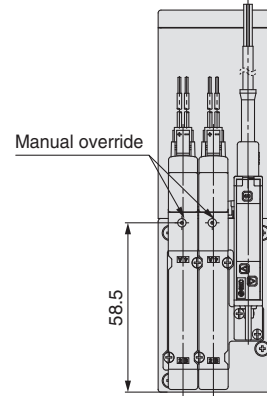
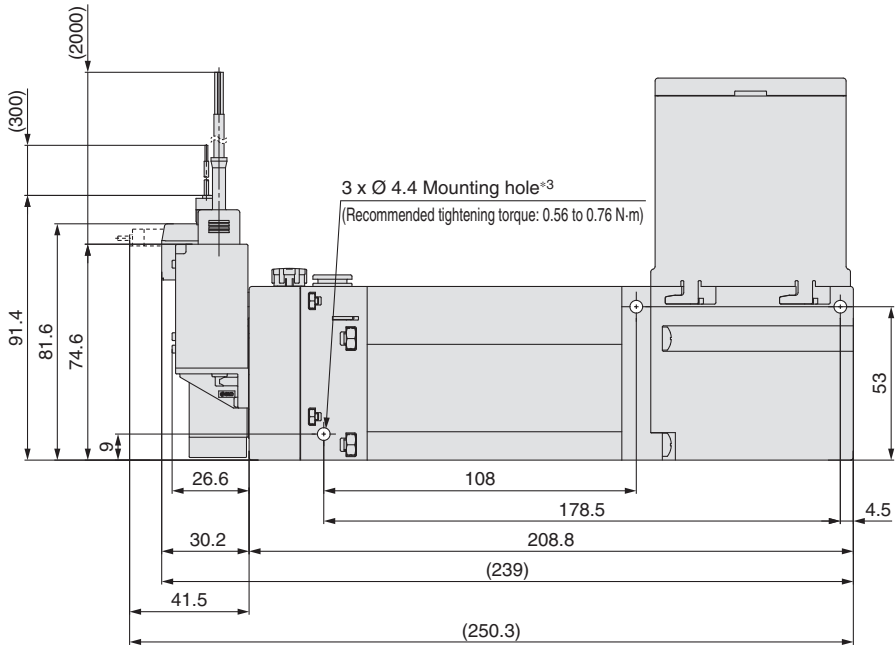
Pressure switch for vacuum
with energy saving function

With supply valve
and release valve

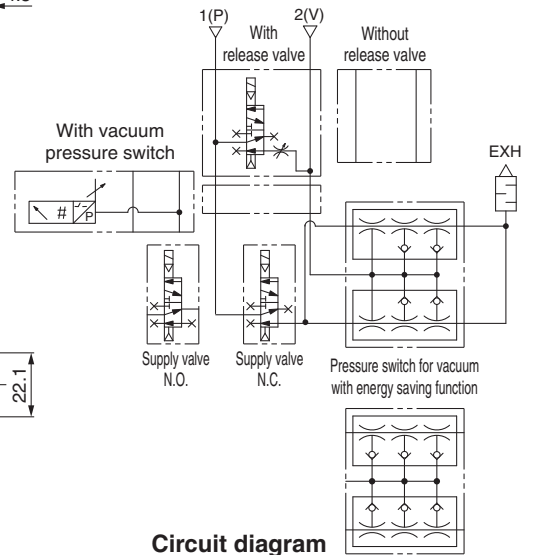


Dimensions

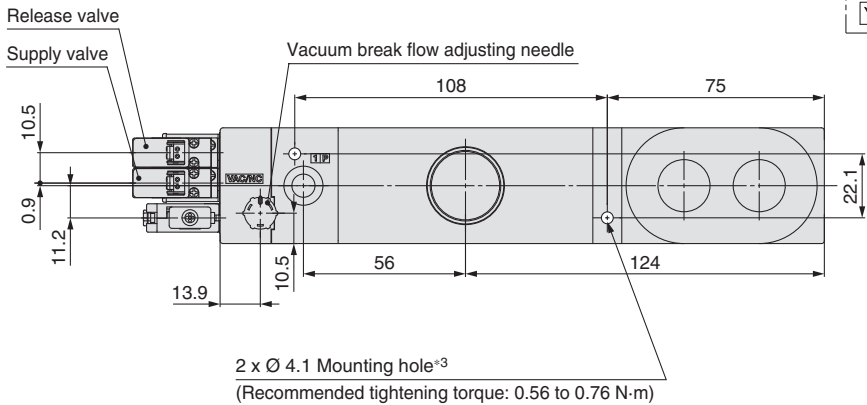
ZL6□□□-K1-B1 5□Z□-F□□□ (With supply valve, release valve and vacuum pressure switch)



ZL6 With valve



Circuit diagram



ZL6□□□-K2-B2 5□Z□-F□□□	ZL6□□□-K2-B2 5□Z□	ZL6□□□-K1-B1 5□Z□	ZL6□□□-K15L02-V□□W
With supply valve and vacuum pressure switch	With supply valve	With supply valve and release valve	With pressure switch for vacuum with energy saving function



ZL1/ZL3/ZL6 Series

Specific Product Precautions 1

Be sure to read this before handling the products. Refer to the back cover for safety instructions. For vacuum equipment precautions, refer to the “Handling Precautions for SMC Products” and the “Operation Manual” on the SMC website: <https://www.smc.eu>

■ Handling of Products

Handling / Mounting

⚠ Caution

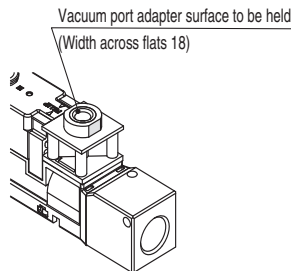
1. Do not drop, hit, or apply excessive impact to the product when handling it.
Even if the body looks undamaged, the internal components may be damaged, leading to a malfunction.
2. Use the product within the specified supply pressure range.
Operation at a pressure which exceeds the specified supply pressure range can cause damage to the product.
3. Load to the ejector body
The ejector body is made of resin; therefore, do not apply load to the port after mounting. Prevent any kind of operation which generates moment as this may cause reduced performance or damage to the body.
4. The exhaust resistance should be as small as possible to obtain max. ejector performance.
There should be no shield around the exhaust port for the silencer exhaust specification.
Note that exhaust resistance may occur depending on the piping diameter and length for the port exhaust specification. DO NOT block the exhaust port. Doing so will cause the product to crack or break.
5. If the sound absorbing material is clogged, it will cause reduced ejector performance.
In particular, if the product is used in a dusty environment, not only the filter element but also the sound absorbing material will become clogged. It is recommended that the sound absorbing material be replaced periodically.

■ Piping

Piping to the Vacuum Port Adapter (ZL1)

⚠ Caution

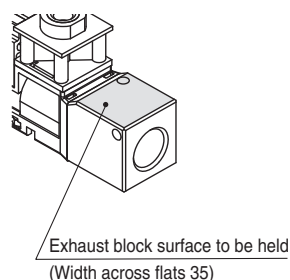
1. When mounting or removing the fitting, etc., to or from the vacuum port adapter, hold the vacuum port adapter.
Recommended tightening torque: 3 to 5 N·m
The product may break if it is held directly during mounting or removal.



Piping to the Exhaust Port (ZL1)

⚠ Caution

1. When mounting or removing the piping to or from the exhaust port, hold the exhaust block.
Recommended tightening torque: 20 to 25 N·m
The product may break if it is held directly during mounting or removal.



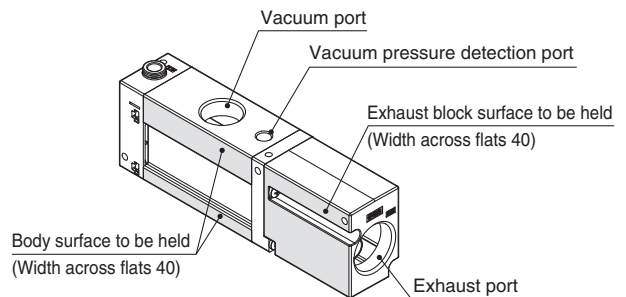
■ Piping

Piping of Each Port (ZL3/ZL6)

⚠ Caution

1. When mounting or removing the fitting to or from the vacuum port or vacuum pressure detection port, hold the aluminium alloy body.
2. When mounting or removing the piping to or from the exhaust port, hold the exhaust block.

Thread size	Recommended tightening torque [N·m]
1/8	3 to 5
1/2	28 to 30
3/4	28 to 30
1	36 to 38



Branch Port

⚠ Warning

1. When using the branch port specification to adsorb and transfer multiple workpieces using branch piping, if one workpiece detaches, the vacuum pressure will decrease and the other workpieces will also detach. When connecting branch piping, please take measures to prevent the dropping of workpieces.

Other Tubing Brands

⚠ Caution

1. When using tubing from a manufacturer other than SMC, be careful of the tolerance of the tubing O.D.
 - 1) Nylon tubing: Within ± 0.1 mm
 - 2) Soft nylon tubing: Within ± 0.1 mm
 - 3) Polyurethane tubing: Within $+0.15$ mm, within -0.2 mm
 Do not use tubing which does not satisfy the specified tubing O.D. accuracy. It may cause difficulty when connecting the tubing, air leakage after connection, or the disconnection of the tubing.



ZL1/ZL3/ZL6 Series Specific Product Precautions 2

Be sure to read this before handling the products. Refer to the back cover for safety instructions. For vacuum equipment precautions, refer to the “Handling Precautions for SMC Products” and the “Operation Manual” on the SMC website: <https://www.smc.eu>

■ Suction Cover

Replacement Procedure for Filter Element (ZL1)

⚠ Caution

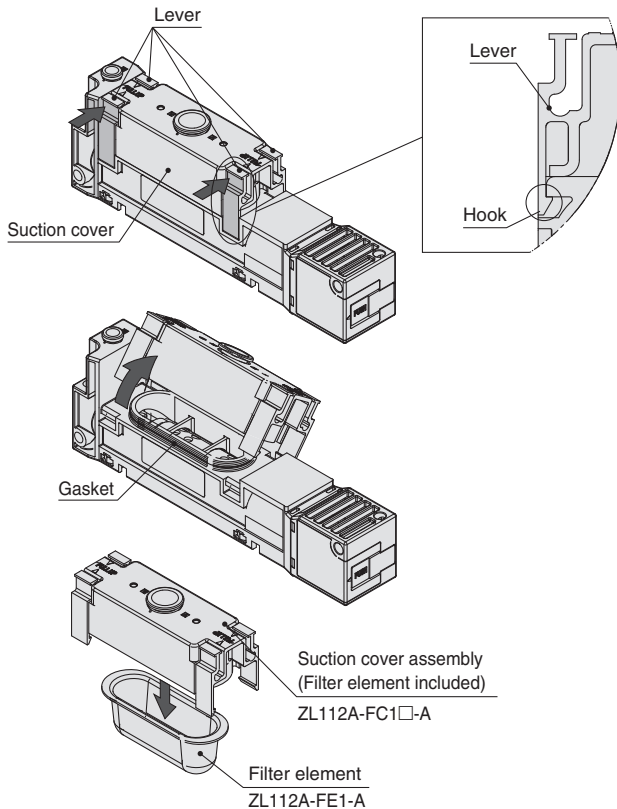
1. The suction cover can easily be attached or detached.

The suction cover can be removed by pushing the suction cover levers (2 pcs.) on the side. (It can be removed from the opposite side as well.)

Replace the filter element assembled in the filter case.

Check that the gasket is sitting correctly in the groove before mounting the suction cover.

Check that the lever hook is locked in the correct position when mounting the suction cover. If the hook or the lever is damaged or deformed, replace the suction cover assembly.



■ Solenoid Valve / Pressure Switch

Wiring and Connection of Solenoid Valves and Vacuum Pressure Switches

⚠ Caution

1. Incorrect wiring can damage the vacuum pressure switch and cause failure or malfunction. Connections should only be made when the power supply is turned OFF.
2. Do not attempt to insert or pull out the connector while the power is ON. Doing so may cause malfunction.

■ Solenoid Valve / Pressure Switch

Wiring and Connection of Solenoid Valves and Vacuum Pressure Switches

⚠ Caution

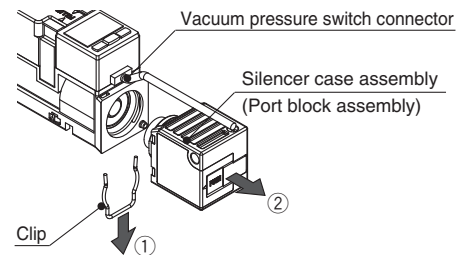
3. Malfunctions stemming from noise may occur if the wire is installed in the same route as that of the power cable or another high-voltage cable. Wire the switch independently.
4. Be sure to ground the frame ground (FG) terminal when using a commercially available switching power supply. (Pressure switch)
5. The tensile force of the solenoid valve and vacuum pressure switch lead wire is 30 N. Exceeding this value can cause breakage. Hold the body when handling the product.
6. Avoid repeatedly bending or stretching the lead wire of the solenoid valve or vacuum pressure switch. Lead wires will break if bending stress or tensile force is applied to them repeatedly. If the lead wire moves around, secure it near the body of the product. The recommended bending radius is 40 mm or more. Please contact SMC for further details.

Mounting or Removal of the Vacuum Pressure Switch Connector (ZL1)

⚠ Caution

1. Before the mounting or removal of the vacuum pressure switch connector, it is necessary to remove the silencer case assembly (port block assembly). Remove the silencer case assembly (port block assembly) following the procedure below before mounting or removing the pressure switch connector.

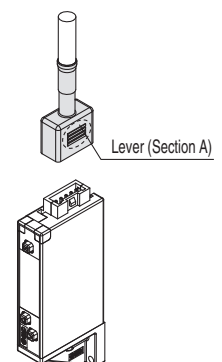
Remove the clip using a flat blade screwdriver from the bottom of the product. Remove the silencer case assembly (port block assembly) from the body. Mount or remove the pressure switch connector.



Mounting or Removal of the Vacuum Pressure Switch Connector (ZL3/ZL6)

⚠ Caution

- When mounting the connector to the switch housing, push the connector straight onto the pins until the lever locks into the housing slot.
- When removing the connector from the switch housing, push the lever (section A) down with your thumb to unlock it from the slot, and then lift the connector straight off of the pins.





ZL1/ZL3/ZL6 Series Specific Product Precautions 3

Be sure to read this before handling the products. Refer to the back cover for safety instructions. For vacuum equipment precautions, refer to the “Handling Precautions for SMC Products” and the “Operation Manual” on the SMC website: <https://www.smc.eu>

■ Solenoid Valve / Pressure Switch

Environment

⚠ Warning

1. The solenoid valve and vacuum pressure switch are not designed to be explosion proof, dustproof, or drip proof. Never use in atmospheres which contain flammable or explosive gases.

⚠ Caution

1. The vacuum pressure switch and solenoid valve (DC type) are CE/UKCA-compliant but not immune to lightning strikes.
Take measures against lightning strikes in your system.
2. Do not use the product in places where static electricity is a problem. Doing so may result in system failure or malfunction.

Design

⚠ Caution

1. Avoid energising the solenoid valve for long periods of time.

If a solenoid valve is continuously energised for an extended period of time, the heat generated by the coil assembly may reduce the performance and life of the valve or have adverse effects on peripheral equipment.

Therefore, if the solenoid valve is to be continuously energised for an extended period of time or if the energised period per day will be longer than the de-energised period, use a N.O. (normally open) type product.

When the valve is mounted onto a control panel, take measures to radiate heat in order to keep the product temperature within the specified range.

2. Note that the vacuum pressure switch for the ZL3/ZL6 cannot be replaced.
3. For specific product precautions on solenoid valves, refer to the solenoid valve catalogue.
ZL1: SYJ500 Series
ZL3/ZL6: JSY3000 Series
4. For specific product precautions on vacuum pressure switches, refer to the pressure switch catalogue.
ZL1: ZSE30A Series
ZL3/ZL6: ZSE10 Series

■ Ejector Exhaust

Exhaust Air and How to Replace Sound Absorbing Material (ZL1)

⚠ Caution

1. Air is exhausted from the connecting part between the silencer case and the silencer cover. This does not affect the performance of the product.
2. The sound absorbing material can be easily replaced.
Push the area where the word “PUSH” is printed on the silencer cover in the direction shown in Fig. 1. The silencer cover will come out. (Refer to Fig. 2.) Remove sound absorbing material 1 and 2, and replace them. (Refer to Fig. 3.) After replacing the sound absorbing material, align the end surface of sound absorbing material 1 with the end surface of the diffuser while engaging the hooks with the hook holes, and push the silencer cover back into place. (Refer to Fig. 4.)

Fig. 1

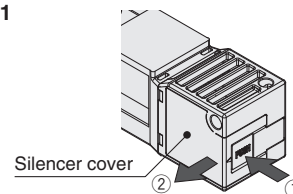


Fig. 2

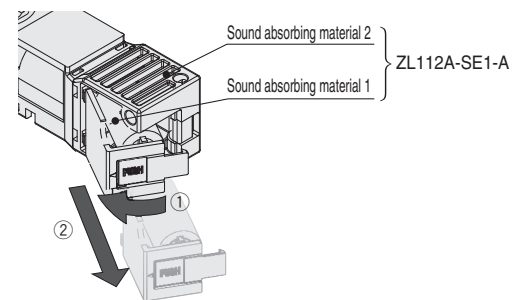


Fig. 3

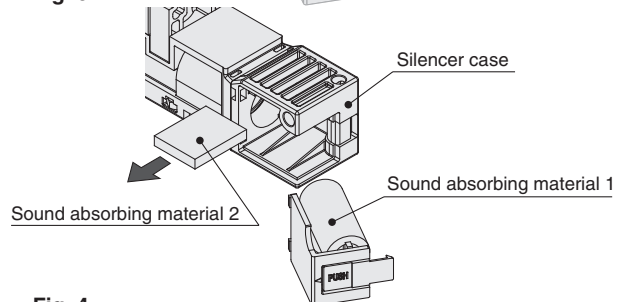
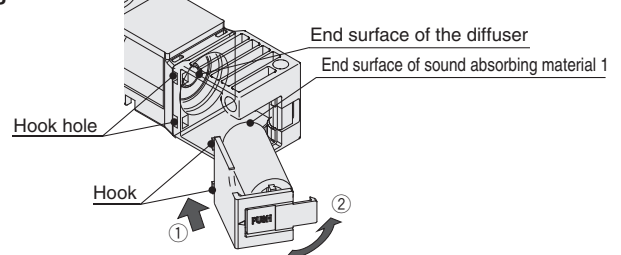


Fig. 4



* If the product is mounted with the silencer cover side facing a wall, the maintenance method shown in the figures above will not be possible.
Move the product away from the wall before conducting maintenance.



ZL1/ZL3/ZL6 Series Specific Product Precautions 4

Be sure to read this before handling the products. Refer to the back cover for safety instructions. For vacuum equipment precautions, refer to the “Handling Precautions for SMC Products” and the “Operation Manual” on the SMC website: <https://www.smc.eu>

■ Ejector Exhaust

How to Replace Sound Absorbing Material (ZL3)

Loosen the assembly screws as shown in Fig. 1 to remove the silencer assembly.

Replace the sound absorbing material in the silencer assembly in the direction shown in Fig. 2. Assemble the silencer assembly using the assembly screws.

Recommended tightening torque: 0.76 to 0.84 N·m

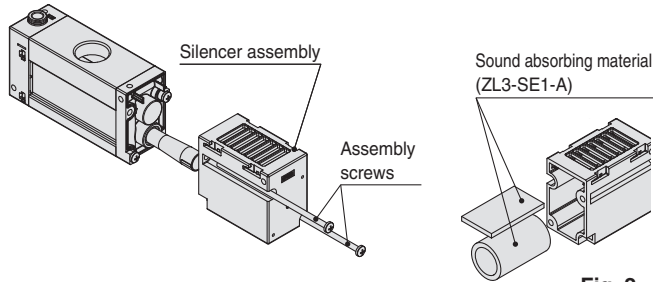


Fig. 2

How to Assemble and Replace Silencer Assembly (ZL6)

The silencer assembly of the ZL6 series is not attached at the time of delivery. Please attach it before use.

As shown in Fig. 1, align the hooks of the silencer assembly with the grooves on the body, and push in the direction of the arrow until it clicks.

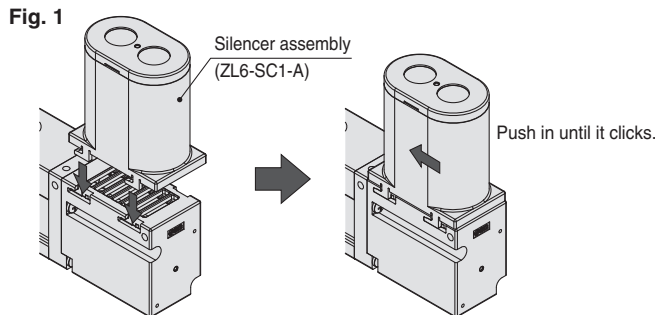
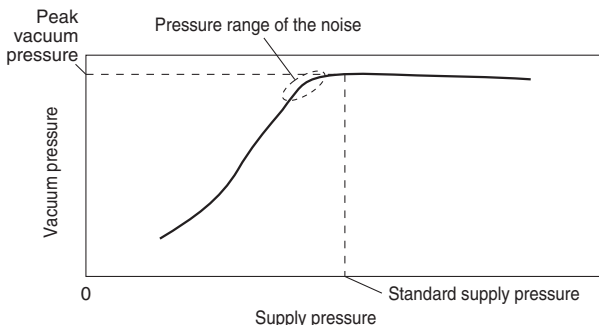


Fig. 1

Exhaust Noise

⚠ Caution

- When the vacuum ejector generates vacuum, noise can be heard from the exhaust port when the standard supply pressure is close to the pressure that generates peak vacuum pressure, making the vacuum pressure unstable. If the vacuum pressure range is adequate for adsorption, there should be no problem. If the noise causes a problem or affects the setting of the pressure switch, change the supply pressure slightly to avoid the pressure range of the noise.



■ Vacuum Break Flow Adjusting Needle

Vacuum Break Air

⚠ Caution

- The flow rate characteristics show the representative values of the product itself. They may change depending on piping, circuit and pressure conditions, etc. The flow rate characteristics and the number of needle rotations will vary due to the range of the specifications of the product.
- When fully closed, leakage cannot be prevented completely. There is an allowance for a certain amount of leakage in the product's specifications. Tightening the needle to reduce leakage to zero may result in equipment damage.

Operation of Vacuum Break Flow Adjusting Needle (ZL1)

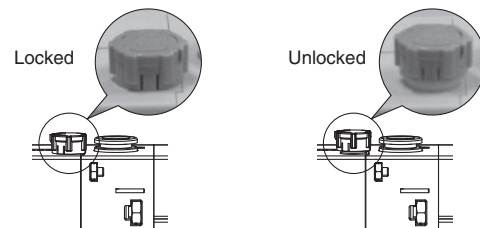
⚠ Caution

- The needle has a retaining mechanism, so it will not continue to rotate after it reaches the rotation stop position. Turning the needle too far may cause damage.
- Do not use tools, such as pliers, to rotate the knob. This can cause the idle rotation of the knob or damage.
- Do not overtighten the lock nut. It is possible to tighten the lock nut (hexagon) manually. When tightening further with tools, tighten by approximately 15° to 30°. Overtightening may cause breakage.

Operation of Vacuum Break Flow Adjusting Needle (ZL3/ZL6)

⚠ Warning




- After pushing the knob down to lock, confirm that it is locked. It should not be possible to rotate the knob to the right or to the left. If the knob is pulled with force, it may break. Do not pull the knob with excessive force.



- Check the number of rotations of the needle valve. The needle valve has a retaining mechanism, so it will not continue to rotate any further. Turning the needle too far may cause damage.
- Do not use tools, such as pliers, to rotate the knob. This can cause the idle rotation of the knob or damage.

Safety Instructions

These safety instructions are intended to prevent hazardous situations and/or equipment damage. These instructions indicate the level of potential hazard with the labels of “Caution,” “Warning” or “Danger.” They are all important notes for safety and must be followed in addition to International Standards (ISO/IEC)¹⁾, and other safety regulations.

-  **Caution:** **Caution** indicates a hazard with a low level of risk which, if not avoided, could result in minor or moderate injury.
-  **Warning:** **Warning** indicates a hazard with a medium level of risk which, if not avoided, could result in death or serious injury.
-  **Danger:** **Danger** indicates a hazard with a high level of risk which, if not avoided, will result in death or serious injury.

- 1) ISO 4414: Pneumatic fluid power – General rules relating to systems.
ISO 4413: Hydraulic fluid power – General rules relating to systems.
IEC 60204-1: Safety of machinery – Electrical equipment of machines.
(Part 1: General requirements)
- ISO 10218-1: Manipulating industrial robots - Safety.
etc.

Warning

1. The compatibility of the product is the responsibility of the person who designs the equipment or decides its specifications.

Since the product specified here is used under various operating conditions, its compatibility with specific equipment must be decided by the person who designs the equipment or decides its specifications based on necessary analysis and test results. The expected performance and safety assurance of the equipment will be the responsibility of the person who has determined its compatibility with the product. This person should also continuously review all specifications of the product referring to its latest catalogue information, with a view to giving due consideration to any possibility of equipment failure when configuring the equipment.

2. Only personnel with appropriate training should operate machinery and equipment.

The product specified here may become unsafe if handled incorrectly. The assembly, operation and maintenance of machines or equipment including our products must be performed by an operator who is appropriately trained and experienced.

3. Do not service or attempt to remove product and machinery/equipment until safety is confirmed.

1. The inspection and maintenance of machinery/equipment should only be performed after measures to prevent falling or runaway of the driven objects have been confirmed.
2. When the product is to be removed, confirm that the safety measures as mentioned above are implemented and the power from any appropriate source is cut, and read and understand the specific product precautions of all relevant products carefully.
3. Before machinery/equipment is restarted, take measures to prevent unexpected operation and malfunction.

4. Contact SMC beforehand and take special consideration of safety measures if the product is to be used in any of the following conditions.

1. Conditions and environments outside of the given specifications, or use outdoors or in a place exposed to direct sunlight.
2. Installation on equipment in conjunction with atomic energy, railways, air navigation, space, shipping, vehicles, military, medical treatment, combustion and recreation, or equipment in contact with food and beverages, emergency stop circuits, clutch and brake circuits in press applications, safety equipment or other applications unsuitable for the standard specifications described in the product catalogue.
3. An application which could have negative effects on people, property, or animals requiring special safety analysis.
4. Use in an interlock circuit, which requires the provision of double interlock for possible failure by using a mechanical protective function, and periodical checks to confirm proper operation.

Caution

1. The product is provided for use in manufacturing industries.

The product herein described is basically provided for peaceful use in manufacturing industries. If considering using the product in other industries, consult SMC beforehand and exchange specifications or a contract if necessary. If anything is unclear, contact your nearest sales branch.

Limited warranty and Disclaimer/Compliance Requirements

The product used is subject to the following “Limited warranty and Disclaimer” and “Compliance Requirements”. Read and accept them before using the product.

Limited warranty and Disclaimer

1. The warranty period of the product is 1 year in service or 1.5 years after the product is delivered, whichever is first.²⁾ Also, the product may have specified durability, running distance or replacement parts. Please consult your nearest sales branch.
 2. For any failure or damage reported within the warranty period which is clearly our responsibility, a replacement product or necessary parts will be provided. This limited warranty applies only to our product independently, and not to any other damage incurred due to the failure of the product.
 3. Prior to using SMC products, please read and understand the warranty terms and disclaimers noted in the specified catalogue for the particular products.
- 2) Vacuum pads are excluded from this 1 year warranty.
A vacuum pad is a consumable part, so it is warranted for a year after it is delivered. Also, even within the warranty period, the wear of a product due to the use of the vacuum pad or failure due to the deterioration of rubber material are not covered by the limited warranty.

Compliance Requirements

1. The use of SMC products with production equipment for the manufacture of weapons of mass destruction (WMD) or any other weapon is strictly prohibited.
2. The exports of SMC products or technology from one country to another are governed by the relevant security laws and regulations of the countries involved in the transaction. Prior to the shipment of a SMC product to another country, assure that all local rules governing that export are known and followed.

Caution

SMC products are not intended for use as instruments for legal metrology.

Measurement instruments that SMC manufactures or sells have not been qualified by type approval tests relevant to the metrology (measurement) laws of each country. Therefore, SMC products cannot be used for business or certification ordained by the metrology (measurement) laws of each country.

Safety Instructions

Be sure to read “Handling Precautions for SMC Products” (M-E03-3) before using.

Revision History

Edition B	- The ZL3 and ZL6 have been added. - Errors in text have been corrected. - Number of pages has been increased from 20 to 37.	YP
------------------	--	----

SMC Corporation (Europe)

Austria	+43 (0)2262622800	www.smc.at	office@smc.at
Belgium	+32 (0)33551464	www.smc.be	info@smc.be
Bulgaria	+359 (0)2807670	www.smc.bg	office@smc.bg
Croatia	+385 (0)13707288	www.smc.hr	office@smc.hr
Czech Republic	+420 541424611	www.smc.cz	office@smc.cz
Denmark	+45 70252900	www.smc.dk.com	smc@smcdk.com
Estonia	+372 6510370	www.smc.pneumatics.ee	info@smcee.ee
Finland	+358 207513513	www.smc.fi	smc.fi@smc.fi
France	+33 (0)164761000	www.smc-france.fr	info@smc-france.fr
Germany	+49 (0)61034020	www.smc.de	info@smc.de
Greece	+30 210 2717265	www.smchellas.gr	sales@smchellas.gr
Hungary	+36 23513000	www.smc.hu	office@smc.hu
Ireland	+353 (0)14039000	www.smcautomation.ie	sales@smcautomation.ie
Italy	+39 03990691	www.smcitalia.it	mailbox@smcitalia.it
Latvia	+371 67817700	www.smc.lv	info@smc.lv

Lithuania	+370 5 2308118	www.smclt.lt	info@smclt.lt
Netherlands	+31 (0)205318888	www.smc.nl	info@smc.nl
Norway	+47 67129020	www.smc-norge.no	post@smc-norge.no
Poland	+48 222119600	www.smc.pl	office@smc.pl
Portugal	+351 214724500	www.smc.eu	apoioclientept@smc.smces.es
Romania	+40 213205111	www.smcromania.ro	smcromania@smcromania.ro
Russia	+7 8123036600	www.smc.eu	sales@smcru.com
Slovakia	+421 (0)413213212	www.smc.sk	office@smc.sk
Slovenia	+386 (0)73885412	www.smc.si	office@smc.si
Spain	+34 945184100	www.smc.eu	post@smc.smces.es
Sweden	+46 (0)86031200	www.smc.nu	smc@smc.nu
Switzerland	+41 (0)523963131	www.smc.ch	helpcenter@smc.ch
Turkey	+90 212 489 0 440	www.smc.pnomatik.com.tr	info@smc.pnomatik.com.tr
UK	+44 (0)845 121 5122	www.smc.uk	sales@smc.uk