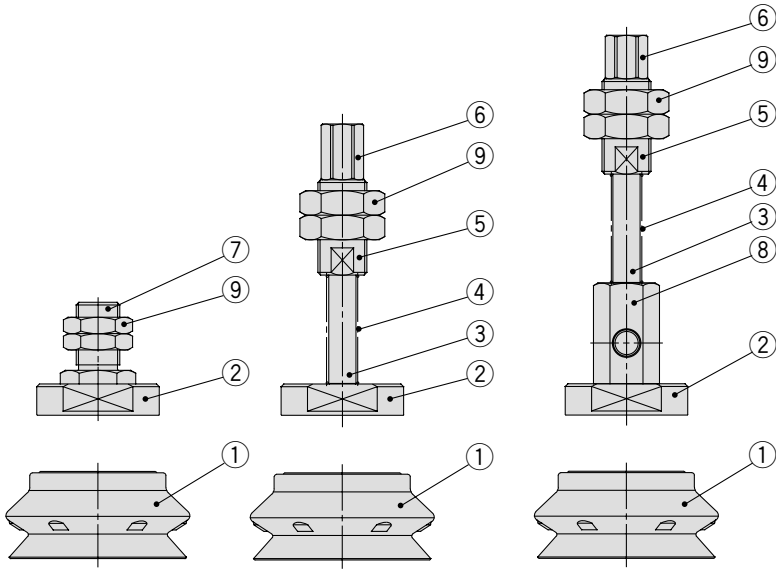


# Vacuum Pad: Large Size Bellows Type Vertical Vacuum Entry with Buffer **Series ZPT/ZPX**

## Construction

**Series ZPT**

**Series ZPX**



### Component Parts

No.	Description	Material	Surface treatment
①	Pad	NBR, Silicone rubber, Urethane rubber, Fluoro rubber, EPR	—
②	Adapter plate	Aluminum	—
③	Piston rod	Carbon steel	Hard chrome plated
④	Spring	Stainless steel	—
⑤	Buffer body	Aluminum	—
⑥	Buffer adaptor	Brass	Electroless nickel plated
⑦	Adaptor A	Brass	Electroless nickel plated
⑧	X type adaptor	Brass	Electroless nickel plated
⑨	Mounting nut	Rolled steel	Black zinc chromated

- ZX
- ZR
- ZM
- ZH
- ZU
- ZL
- ZY
- ZQ
- ZF
- ZP
- ZCU
- AMJ
- Misc.

## Replacement Parts/Pad Unit

### How to Order

ZP 40 HB N

**Pad diameter (mm)**

40	ø40
50	ø50
63	ø63
80	ø80
100	ø100
125	ø125

**Material**

N	NBR
S	Silicon rubber
U	Urethane rubber
F	Fluoro rubber
E	EPR

**Pad type**

**HB** Large bellows pad

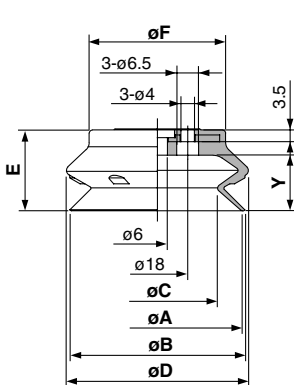
### Weight

(g)

NBR		Add NBR weight to below table for other materials.				
Model	Weight	Pad dia.	Silicon rubber	Urethane rubber	Fluoro rubber	EPR
ZP 40HBN	17	ø40	-1	+1	+10	0
ZP 50HBN	33	ø50	-2	+1	+19	0
ZP 63HBN	63	ø63	-3	+2	+37	0
ZP 80HBN	103	ø80	-6	+2	+61	0
ZP100HBN	206	ø100	-12	+4	+121	-1
ZP125HBN	390	ø125	-22	+7	+228	-3

## Dimensions

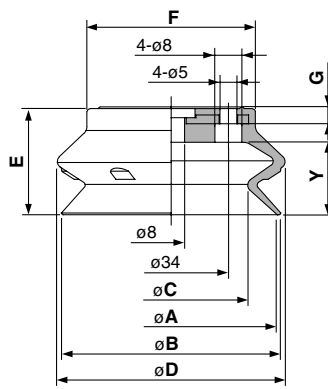
**ZP<sub>50</sub><sup>40</sup>HB□**



**Dimensions (mm)**

Model	A	B	C	D	E	F	Y
ZP40HB□	40	41.4	28.4	43.2	20.5	30	13
ZP50HB□	50	51.9	35.7	54	24	40.5	16.5

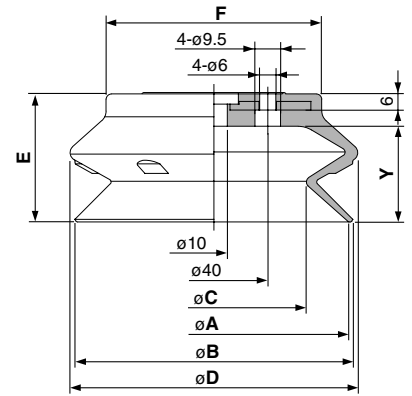
**ZP<sub>80</sub><sup>63</sup>HB□**



**Dimensions (mm)**

Model	A	B	C	D	E	F	G	Y
ZP63HB□	63	65.1	45.5	67.6	31.5	50	4.5	21.5
ZP80HB□	80	83	58.4	85.1	37	64	5	27.5

**ZP<sub>125</sub><sup>100</sup>HB□**



**Dimensions (mm)**

Model	A	B	C	D	E	F	Y
ZP100HB□	100	103.1	68.6	106.7	47.5	80	35.5
ZP125HB□	125	128.5	88.6	135	56	105	44