

Vacuum Pad: Ball Joint Type Lateral Vacuum Entry Without Buffer/Female Thread Series **ZPR**



How to Order

ZPR **10** **F** **GS** **06** **B5**

Pad diameter (mm)

10	ø10
13	ø13
16	ø16
20	ø20
25	ø25
32	ø32
40	ø40
50	ø50

Pad type

F	Ball joint type
---	-----------------

Material

N	NBR
S	Silicon rubber
U	Urethane rubber
F	Fluoro rubber
GN*	Conductive NBR
GS*	Conductive silicon rubber

* ø20 and larger are manufactured upon a receipt of order.

- **Mounting thread diameter/ Female thread**
(Refer to "Table (1)" for applications.)
- **Vacuum entry port**
(Refer to "Table (1)" for applications.)

Table (1) Vacuum Entry/Mounting Thread Diameter

Pad dia. (mm)		Mounting thread diameter			
		ø10 to ø16		ø20 to ø50	
Connection	Thread dia./ Port size	Symbol	B5	B5	B8
	Vacuum entry	One-touch fitting	ø4 tube	04	●
ø6 tube			06	●	●
ø8 tube			08	—	●

Note) Pads are exclusively ball joint type and are not interchangeable with other pads.

ZX
ZR
ZM
ZH
ZU
ZL
ZY
ZQ
ZF
ZP
ZCU
AMJ
Misc.

Specifications

Vacuum entry direction		Lateral	
Connection		Mounting	Vacuum entry port
		Female thread	One-touch fitting
Pad dia. (mm)	ø10 to ø16	M5 x 0.8	ø4 tube
			ø6 tube
	ø20 to ø50	M5 x 0.8	ø6 tube
			ø8 tube
		M8 x 1.25	ø6 tube
			ø8 tube
Ball joint rotation		±15°	

Weight

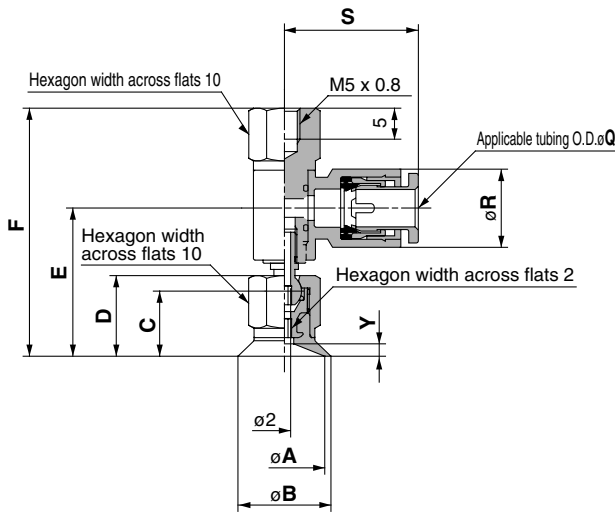
Pad dia. (mm)	Mounting female thread	Vacuum entry (One-touch fitting)		
		ø4 tube	ø6 tube	ø8 tube
ø10 to ø16	M5 x 0.8	18	19	—
	M8 x 1.25	—	21	22
ø20 to ø32	M5 x 0.8	—	22	23
	M8 x 1.25	—	21	22
ø40, ø50	M5 x 0.8	—	58	60
	M8 x 1.25	—	57	59

Pad Type

Pad form	Ball joint type					
Pad diameter (mm)	ø10, ø13, ø16, ø20, ø25, ø32, ø40, ø50					
Material	NBR	Silicon rubber	Urethane rubber	Fluoro rubber	Conductive NBR	Conductive silicon rubber
Color	Black	White	Brown	Black with green mark	Black with 1 white mark	Black with 2 white mark
Durometer	50°	40°	60°	60°	50°	50°

Series ZPR

ZPR¹⁰₁₆F□□-0□-B5 (Without buffer/Female thread)



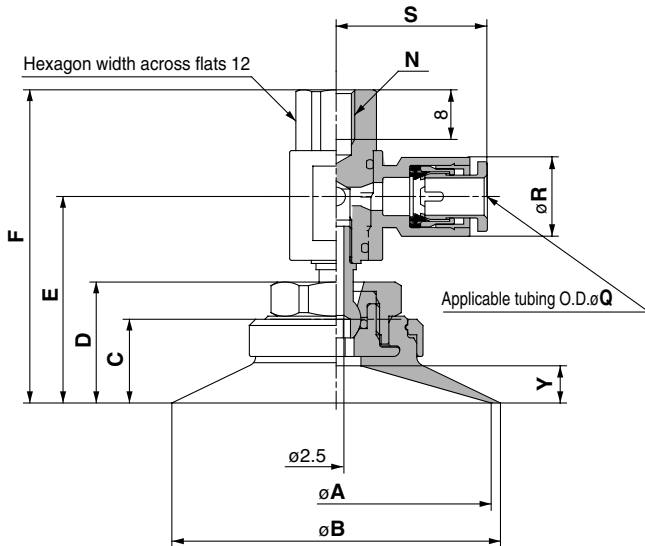
Dimensions (mm)

Model	A	B	C	D	E	F	Y
ZPR10F□□-0□-B5	10	12	10	12.5	23.4	39.5	1.5
ZPR13F□□-0□-B5	13	15	10.5	13	23.9	40	2
ZPR16F□□-0□-B5	16	18					

Dimensions by Tubing Diameter (mm)

Pad diameter (mm)	Q: 4		Q: 6	
	R	S	R	S
ø10 to ø16	10.4	20.6	12.8	21.6

ZPR⁴⁰₅₀F□□-0□-B8 (Without buffer/Female thread)



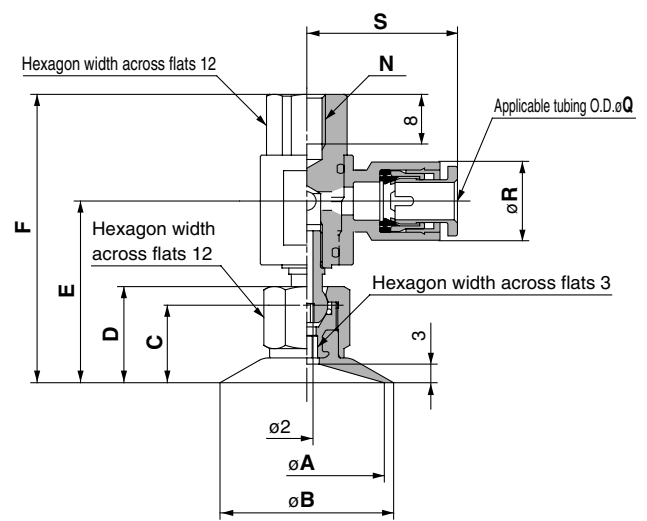
Dimensions (mm)

Model	A	B	C	D	E	F	N	Y
ZPR40F□□-0□-B8	40	43	12.5	18.5	32.3	49.5	M8 x 1.25	5
ZPR50F□□-0□-B8	50	53	13.5	19.5	33.3	50.5		6

Dimensions by Tubing Diameter (mm)

Pad diameter (mm)	Q: 6		Q: 8	
	R	S	R	S
ø40, ø50	12.8	24.3	15.2	26.2

ZPR²⁰₂₅⁵₃₂F□□-0□-B₈ (Without buffer/Female thread)



Dimensions (mm)

Model	A	B	C	D	E	F	N
ZPR20F□□-0□-B5	20	22	12.5	15.5	29.3	46.5	M5 x 0.8
M8 x 1.25							
ZPR25F□□-0□-B5	25	28	12.5	15.5	29.3	46.5	M5 x 0.8
M8 x 1.25							
ZPR32F□□-0□-B5	32	35	13	16	29.8	47	M5 x 0.8
M8 x 1.25							

Dimensions by Tubing Diameter (mm)

Pad diameter (mm)	Q: 6		Q: 8	
	R	S	R	S
ø20 to ø32	12.8	24.3	15.2	26.2