



# Vacuum Pad: Vertical Vacuum Entry With Buffer

## Series ZPT



### Specifications

Vacuum entry direction		Vertical				
Vacuum entry	Applicable tube dia.	Connection		Female thread	Barb fitting	One-touch fitting
		ø2 to ø8 2 x 4, 3.5 x 7, 4 x 10 Thin section series (ø10 to ø16)		M3 x 0.5 M5 x 0.8	ø4 Nylon tube ø4 Urethane tube	ø4 tube ø6 tube
		ø10 to ø32		M5 x 0.8	ø6 Nylon tube ø6 Urethane tube	ø4 tube ø6 tube
ø40, ø50		M5 x 0.8 Rc 1/8	ø6 Nylon tube ø6 Urethane tube	ø6 tube ø8 tube		
Connection	Thread dia.	ø2 to ø8				
		ø10 to ø32				
		ø40, ø50				
Buffer type		Rotating (J)/Non-rotating (K)				
Buffer stroke		For ø2 to ø8 — 6, 10, 15, 25 mm				
		For ø10 to ø32 — 10, 20, 30, 40, 50 mm				
		For ø40, ø50 — 10, 20, 30, 50 mm				

### Spring Reactive Force (N)

Pad dia. (mm)	0 stroke	Stroke end
ø2 to ø8 *	0.8 N	1.2 N
ø10 to ø32	1.0 N	3.0 N
ø40, ø50	2.0 N	5.0 N

\* Refer to ø2 to ø8 for Thin flat, Thin flat with ribs and Elipse type.

### Pad Type

Pad form	Flat	Flat with ribs	Deep	Bellows
Pad diameter (mm)	2, 4, 6, 8, 10, 13, 16, 20, 25, 32, 40, 50	10, 13, 16, 20, 25, 32, 40, 50	10, 16, 25, 40	6, 8, 10, 13, 16, 20, 25, 32, 40, 50
Material (Color)	NBR (Black), Silicon rubber (White), Urethane rubber (Brown), Fluoro rubber (Black with green mark) Conductive NBR (Black with one white mark), Conductive silicon rubber (Black with two white marks)			
Durometer	NBR (50°), Silicon rubber (40°), Urethane rubber/Fluoro rubber (60°) Conductive NBR (50°), Conductive silicon rubber (50°)			

### Weight

Stroke (mm)	Pad form Vacuum entry port Model	Flat/Flat with ribs						Deep						Bellows							
		Female thread			One-touch fitting			Barb fitting			Female thread			One-touch fitting			Barb fitting				
		B3	B5	B01	04	06	08	N□U□	B5	B01	04	06	08	N□U□	B3	B5	B01	04	06	08	N□U□
6	ZPT2004 3507 4010 ZPT02 to 08 thin section series 10 to 16	22	24	—	26	27	—	22	—	—	—	—	—	22	24	—	26	27	—	22	
	ZPT10 to 16	—	26	—	29	30	—	25	27	—	29	30	—	25	—	27	—	30	31	—	26
10	ZPT20 25	—	29	—	31	33	—	27	30	—	32	33	—	28	—	31	—	34	35	—	30
	ZPT32	—	57	—	33	34	—	30	—	—	—	—	—	—	36	—	38	39	—	34	
10	ZPT40	—	129	132	—	133	141	129	131	134	—	134	143	129	—	141	144	—	145	153	140
	ZPT50	—	135	138	—	139	147	133	—	—	—	—	—	—	148	151	—	152	160	147	

### Weight by Stroke (g)

Model	Stroke (mm)						
	10	15	20	25	30	40	50
ZPT2004 3507 4010 ZPT02 to 08 thin section series 10 to 16	+6	+7	—	+8	—	—	—
ZPT10 to 25	—	—	+11	—	+13	+23	+24
ZPT40 to 50	—	—	+38	—	+40	—	+67



P. 13-11-65 to 13-11-68

### How to Order

**Series ZPT**  
With buffer

**ZPT 16 U GS K 20 06 A10**

Pad diameter (mm)

2004	2 x 4
3507	3.5 x 7
4010	4 x 10
02	ø2
04	ø4
06	ø6
08	ø8
10	ø10
13	ø13
16	ø16
20	ø20
25	ø25
32	ø32
40	ø40
50	ø50

Pad type  
("Table (1)" for applications.)

U	Flat
C	Flat with ribs
D	Deep
B	Bellows
UT	Thin flat
CT	Thin flat with ribs

Buffer type

J	Rotating
K	Non-rotating

Material

N	NBR
S	Silicon rubber
U	Urethane rubber
F	Fluoro rubber
GN*	Conductive NBR (ø2 to ø16)
GS*	Conductive silicon rubber (ø2 to ø16)

\* ø20 or large are manufactured upon receipt of order.

Mounting thread diameter/  
Male thread

(Refer to "Table (3)" for applications.)

Vacuum entry port

(Refer to "Table (3)" for applications.)

Buffer stroke

(Refer to "Table (2)" for applications.)

ZX

ZR

ZM

ZH

ZU

ZL

ZY

ZQ

ZF

ZP

ZCU

AMJ

Misc.

**Table (1) Pad Diameter/Pad Type**

Type	Diameter (mm)														
	2 x 4	3.5 x 7	4 x 10	2	4	6	8	10	13	16	20	25	32	40	50
Flat	●	●	●	●	●	●	●	●	●	●	●	●	●	●	●
Flat with ribs	—	—	—	—	—	—	—	●	●	●	●	●	●	●	●
Deep	—	—	—	—	—	—	—	●	●	●	—	●	—	●	—
Bellows	—	—	—	—	—	●	●	●	●	●	●	●	●	●	●
Thin flat	—	—	—	—	—	—	—	●	●	●	—	—	—	—	—
Thin flat with ribs	—	—	—	—	—	—	—	●	●	●	—	—	—	—	—

**Table (2) Pad Diameter/Stroke**

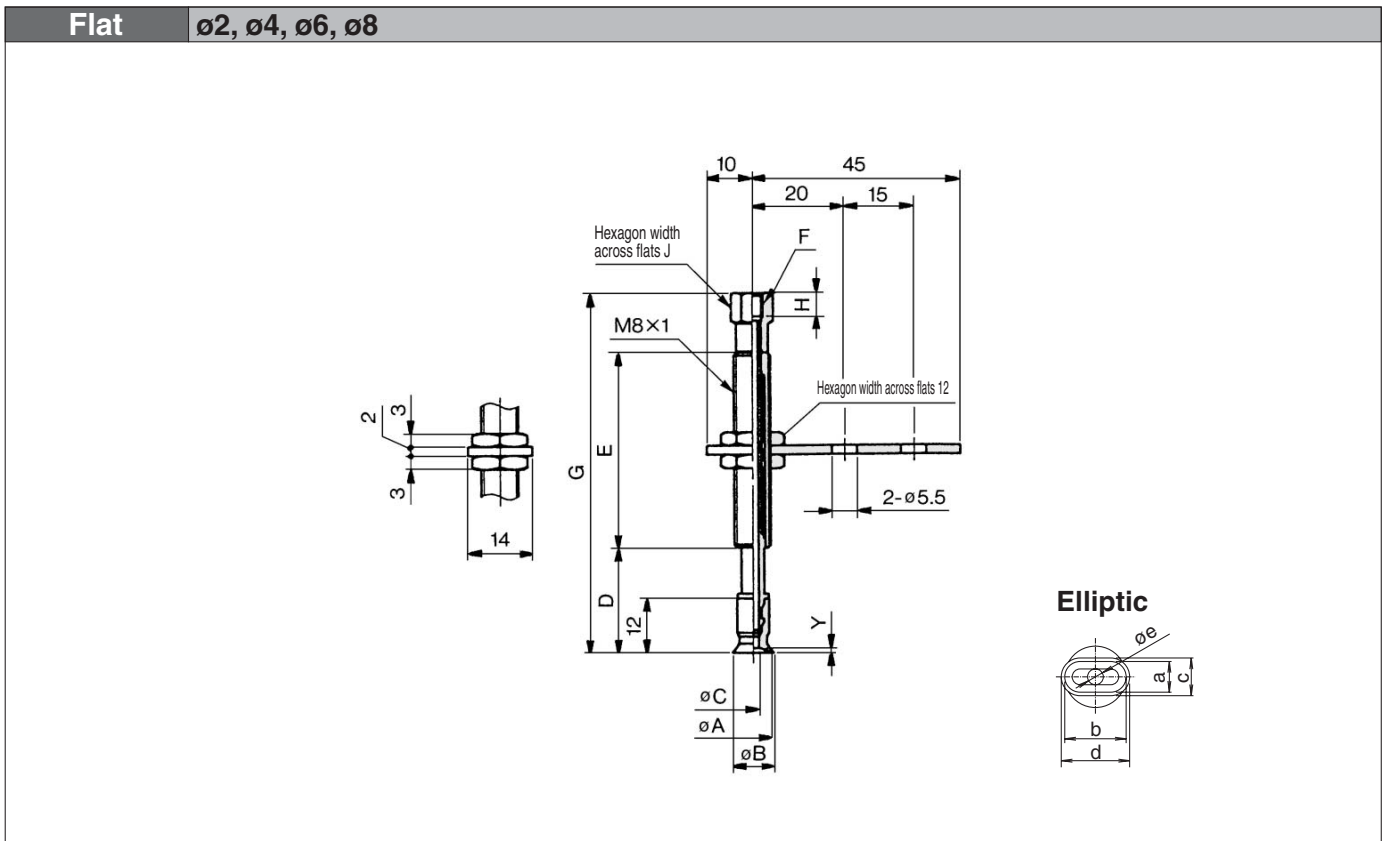
Stroke(mm)	Diameter (mm)																	
	2 x 4	3.5 x 7	4 x 10	2	4	6	8	Thin flat/Thin flat with ribs			10	13	16	20	25	32	40	50
								10	13	16								
6	●	●	●	●	●	●	●	●	●	●	—	—	—	—	—	—	—	—
10	●	●	●	●	●	●	●	●	●	●	●	●	●	●	●	●	●	●
15	●	●	●	●	●	●	●	●	●	●	—	—	—	—	—	—	—	—
20	—	—	—	—	—	—	—	—	—	—	●	●	●	●	●	●	●	●
25	●	●	●	●	●	●	●	●	●	●	—	—	—	—	—	—	—	—
30	—	—	—	—	—	—	—	—	—	—	●	●	●	●	●	●	●	●
40	—	—	—	—	—	—	—	—	—	—	●	●	●	●	●	●	—	—
50	—	—	—	—	—	—	—	—	—	—	●	●	●	●	●	●	●	●

**Table (3) Vacuum Entry/Mounting Thread Diameter**

		Symbol	Thread dia./Port size	ø2 to ø8	ø10 to ø32	ø40, ø50
				2 x 4, 3.5 x 7, 4 x 10 Thin section series ø10 to ø16		
Vacuum entry	Female thread	B3	M3 x 0.5	●	—	—
		B5	M5 x 0.8	●	●	●
		B01	Rc 1/8	—	—	●
	Barb fitting	N4	ø4 Nylon tube	●	—	—
		N6	ø6 Nylon tube	—	●	●
		U4	ø4 Urethane tube	●	—	—
		U6	ø6 Urethane tube	—	●	●
	One-touch fitting	04	ø4 tube	●	●	—
		06	ø6 tube	●	●	●
08		ø8 tube	—	—	●	
Mounting	Male thread	A8	M8 x 1	●	—	—
		A10	M10 x 1	—	●	—
		A14	M14 x 1	—	—	●

# Series ZPT

<b>Connection</b>	<b>Female thread (Buffer)</b>	<b>Pad Form</b>	<b>Flat/Thin flat/Thin flat with ribs/Elliptic</b>
<b>Vacuum Entry Port</b>	<b>Vertical</b>	<b>Mounting</b>	<b>Buffer body</b>



## Flat

Model	A	B	C	Y
ZPT02U□□□□□-B□-A8	2	2.6	1.2	0.8
ZPT04U□□□□□-B□-A8	4	4.8	1.6	
ZPT06U□□□□□-B□-A8	6	7	2.5	
ZPT08U□□□□□-B□-A8	8	9	1	

## Elliptic

Model	a	b	c	d	øe	Y
ZPT2004U	2	4	2.6	4.6	1.2	0.3
ZPT3507U	3.5	7	4.3	7.8	1.8	0.5
ZPT4010U	4	10	5	11	2	0.8

## Thin Flat/Thin Flat with Ribs

Model	A	B	C	Y
ZPT10UT	10	11	2.5	1
ZPT13UT	13	14		1.5
ZPT16UT	16	17		0.8
ZPT10CT	10	11		1
ZPT13CT	13	14		
	16	17		

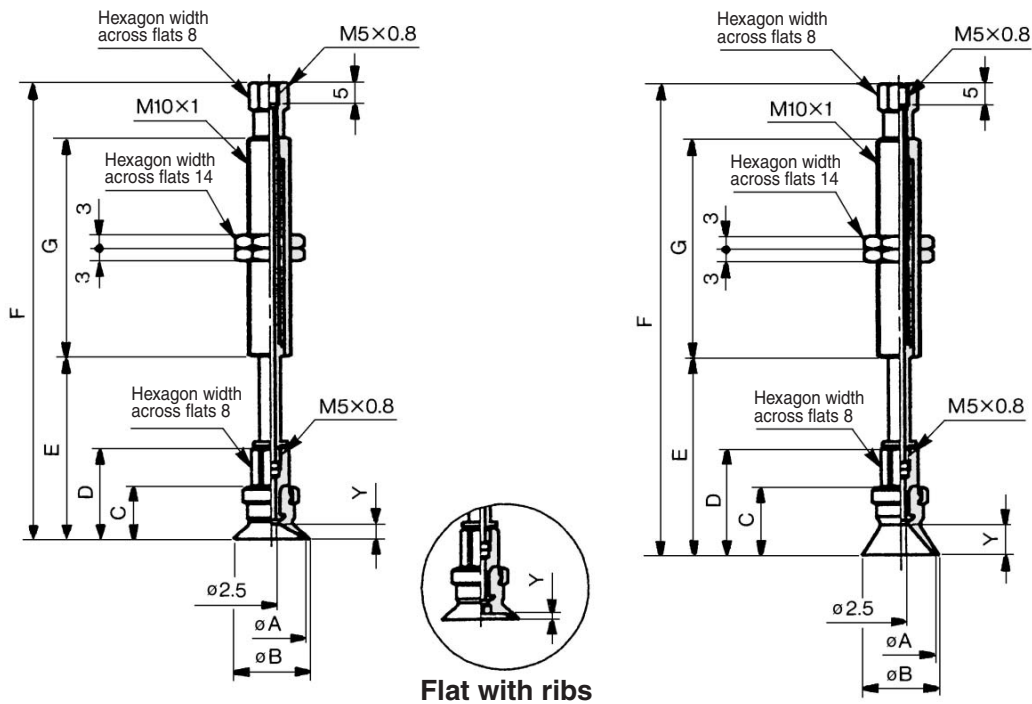
## Dimensions by Stroke

Model	D	E	F: M3 x 0.5			F: M5 x 0.8		
			G	H	J	G	H	J
ZPT□□□□□□ 6-B□-A8	18	15	44	3	6	46	5	8
ZPT□□□□□□ 10-B□-A8	23		77			79		
ZPT□□□□□□ 15-B□-A8	28	43	82			84		
ZPT□□□□□□ 25-B□-A8	38		92			94		

# Vacuum Pad: Vertical Vacuum Entry with Buffer **Series ZPT**

<b>Connection</b>	Female thread (Buffer)	<b>Pad Form</b>	Flat/Flat with ribs/Deep
<b>Vacuum Entry Port</b>	Vertical	<b>Mounting</b>	Buffer body

Flat/Flat with ribs $\phi 10, \phi 13, \phi 16$	Deep $\phi 10, \phi 16$
---	-------------------------



### Flat/Flat with Ribs

Model	A	B	C	D	Y	
					Flat	Flat with ribs
ZPT10 <sup>U</sup> <sub>C</sub> □□□□□-B5-A10	10	12	12	21	3	1.7
ZPT13 <sup>U</sup> <sub>C</sub> □□□□□-B5-A10	13	15			1.8	
ZPT16 <sup>U</sup> <sub>C</sub> □□□□□-B5-A10	16	18	12.5	21.5	3.5	1.2

### Dimensions by Stroke

Model	$\phi 10, \phi 13$		$\phi 16$		G
	E	F	E	F	
ZPT□□ <sup>U</sup> <sub>C</sub> □□□□10-B5-A10	32.5	68.5	33	69	23
ZPT□□ <sup>U</sup> <sub>C</sub> □□□□20-B5-A10	42.5	106.5	43	107	
ZPT□□ <sup>U</sup> <sub>C</sub> □□□□30-B5-A10	52.5	116.5	53	117	51
ZPT□□ <sup>U</sup> <sub>C</sub> □□□□40-B5-A10	62.5	152.5	63	153	
ZPT□□ <sup>U</sup> <sub>C</sub> □□□□50-B5-A10	72.5	162.5	73	163	77

### Deep

Model	A	B	C	D	Y
ZPT10D□□□□□-B5-A10	10	12	15	24	6
ZPT16D□□□□□-B5-A10	16	18	16	25	7

### Dimensions by Stroke

Model	$\phi 10$		$\phi 16$		G
	E	F	E	F	
ZPT□□D□□□□10-B5-A10	35.5	71.5	36.5	72.5	23
ZPT□□D□□□□20-B5-A10	45.5	109.5	46.5	110.5	
ZPT□□D□□□□30-B5-A10	55.5	119.5	56.5	120.5	51
ZPT□□D□□□□40-B5-A10	65.5	155.5	66.5	156.5	
ZPT□□D□□□□50-B5-A10	75.5	165.5	76.5	166.5	77

ZX

ZR

ZM

ZH

ZU

ZL

ZY

ZQ

ZF

ZP

ZCU

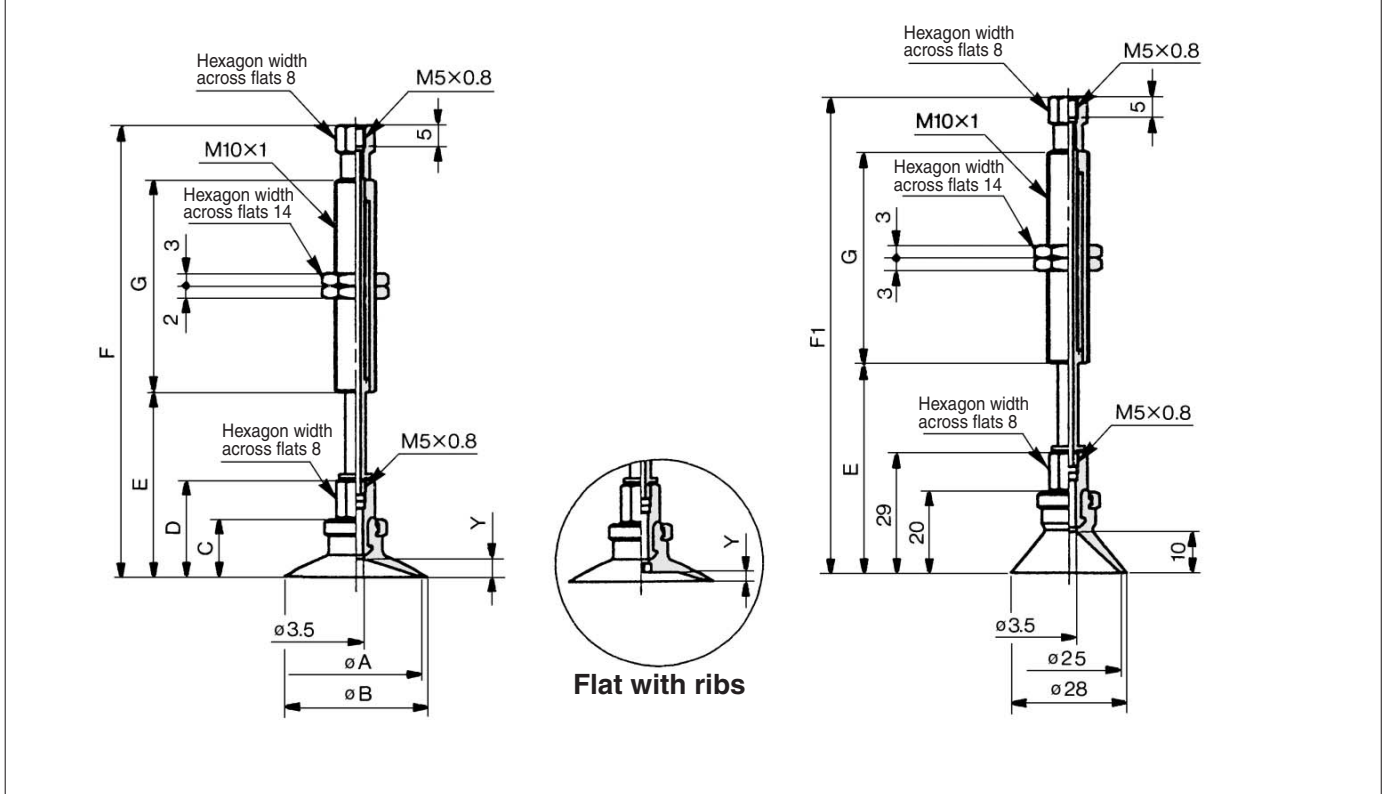
AMJ

Misc.

# Series ZPT

<b>Connection</b>	<b>Female thread (Buffer)</b>	<b>Pad Form</b>	<b>Flat/Flat with ribs/Deep</b>
<b>Vacuum Entry Port</b>	<b>Vertical</b>	<b>Mounting</b>	<b>Buffer body</b>

<b>Flat/Flat with ribs</b>	<b>ø20, ø25, ø32</b>	<b>Deep</b>	<b>ø25</b>
----------------------------	----------------------	-------------	------------



## Flat/Flat with Ribs

Model	A	B	C	D	Y	
					Flat	Flat with ribs
ZPT20 <sub>C</sub> □□□□-B5-A10	20	23	14	23	4	1.7
ZPT25 <sub>C</sub> □□□□-B5-A10	25	28				1.8
ZPT32 <sub>C</sub> □□□□-B5-A10	32	35	14.5	23.5	4.5	2.3

## Deep

Model	E	F	G
ZPT25D□□□10-B5-A10	40.5	76.5	23
ZPT25D□□□20-B5-A10	50.5	114.5	51
ZPT25D□□□30-B5-A10	60.5	124.5	
ZPT25D□□□40-B5-A10	70.5	160.5	77
ZPT25D□□□50-B5-A10	80.5	170.5	

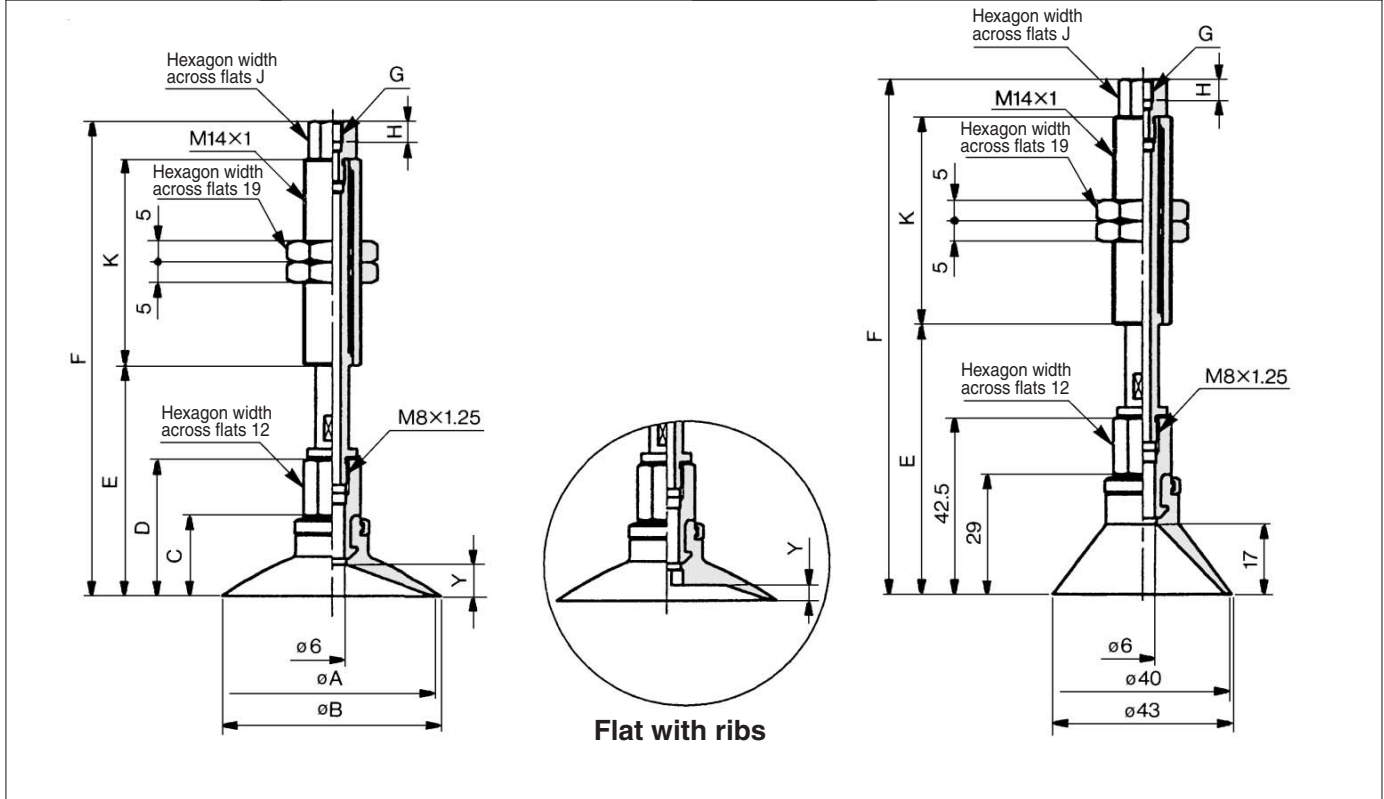
## Dimensions by Stroke

Model	ø20, ø25		ø32		G
	E	F	E	F	
ZPT□□ <sub>C</sub> □□□10-B5-A10	34.5	70.5	35	71	23
ZPT□□ <sub>C</sub> □□□20-B5-A10	44.5	108.5	45	109	51
ZPT□□ <sub>C</sub> □□□30-B5-A10	54.5	118.5	55	119	
ZPT□□ <sub>C</sub> □□□40-B5-A10	64.5	154.5	65	155	77
ZPT□□ <sub>C</sub> □□□50-B5-A10	74.5	164.5	75	165	

# Vacuum Pad: Vertical Vacuum Entry with Buffer **Series ZPT**

<b>Connection</b>	Female thread (Buffer)	<b>Pad Form</b>	Flat/Flat with ribs/Deep
<b>Vacuum Entry Port</b>	Vertical	<b>Mounting</b>	Buffer body

<b>Flat/Flat with ribs</b> $\phi 40, \phi 50$	<b>Deep</b> $\phi 40$
---	-----------------------



- ZX
- ZR
- ZM
- ZH
- ZU
- ZL
- ZY
- ZQ
- ZF
- ZP
- ZCU
- AMJ
- Misc.

### Flat/Flat with Ribs

Model	A	B	C	D	Y	
					Flat	Flat with ribs
ZPT40 <sup>U</sup> <sub>C</sub> □□□□□-B□□-A14	40	43	18.5	32	6.5	3.3
ZPT50 <sup>U</sup> <sub>C</sub> □□□□□-B□□-A14	50	53	19.5	33	7.5	3.8

### Dimensions by Stroke

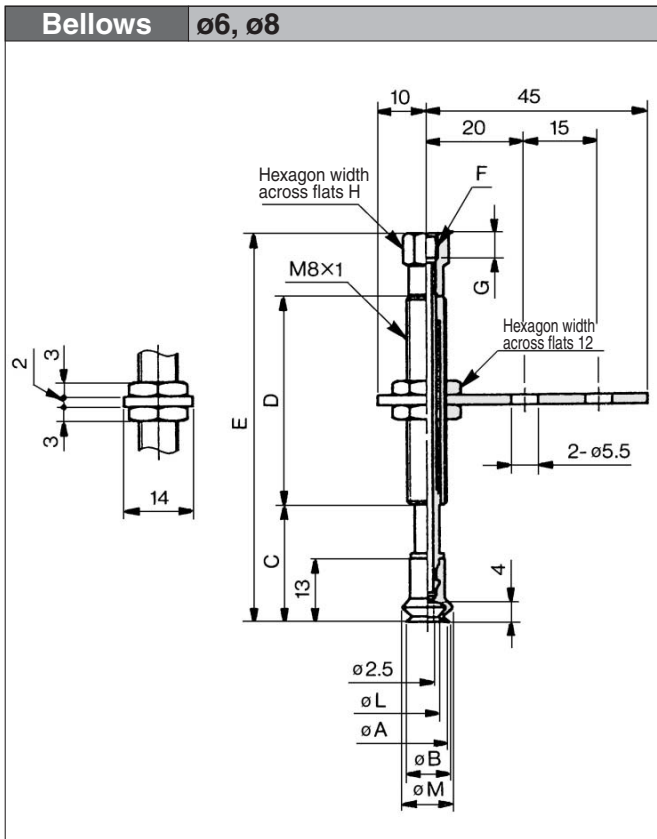
Model	E		G: M5 x 0.8			G: Rc 1/8			K		
	$\phi 40$	$\phi 50$	F		H	J	F				
			$\phi 40$	$\phi 50$			$\phi 40$	$\phi 50$			
ZPT□□ <sup>U</sup> <sub>C</sub> □□□□10-B□□-A14	44.5	45.5	109.5	110.5	5	10	111	112	6.2	13	50
ZPT□□ <sup>U</sup> <sub>C</sub> □□□□20-B□□-A14	54.5	55.5	113.5	114.5			116.5	117.5			
ZPT□□ <sup>U</sup> <sub>C</sub> □□□□30-B□□-A14	64.5	65.5	123.5	124.5			126.5	127.5			
ZPT□□ <sup>U</sup> <sub>C</sub> □□□□50-B□□-A14	84.5	85.5	168.5	169.5	171.5	172.5	75				

### Deep

Model	E	G: M5 x 0.8			G: Rc 1/8			K
		F	H	J	F	H	J	
ZPT40D□□□□10-B□□-A14	55	120	5	10	121.5	6.2	13	50
ZPT40D□□□□20-B□□-A14	65	124			127			
ZPT40D□□□□30-B□□-A14	75	134			137			
ZPT40D□□□□50-B□□-A14	95	179			182			

# Series ZPT

Connection	Female thread (Buffer)	Pad Form	Bellows
Vacuum Entry Port	Vertical	Mounting	Buffer body

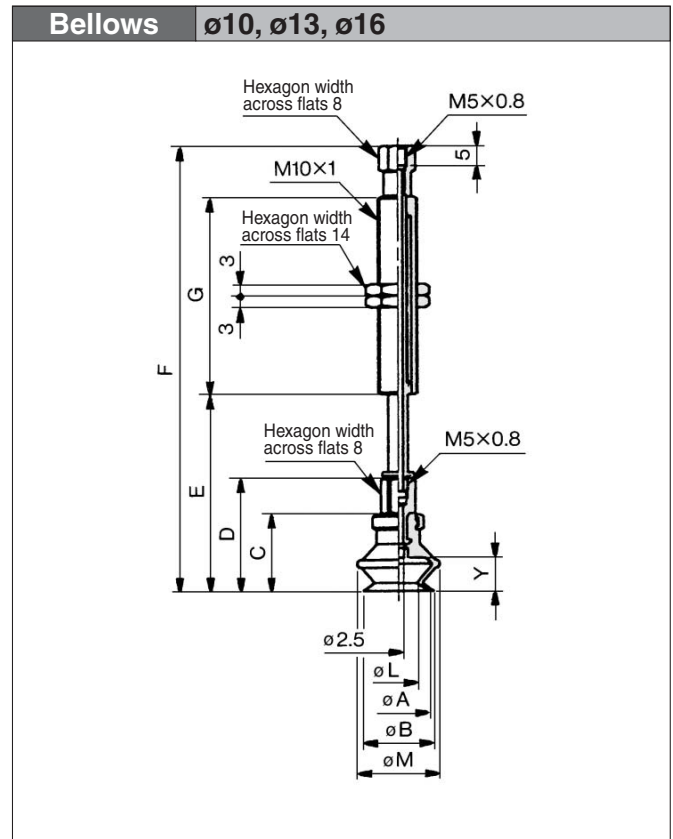


## Bellows

Model	A	B	L	M
ZPT06B□□□□-B□-A8	6	7	3.3	9.1
ZPT08B□□□□-B□-A8	8	9	4.7	10.1

## Dimensions by Stroke

Model	C	D	F: M3 x 0.5			F: M5 x 0.8		
			E	G	H	E	G	H
ZPT□□B□□□ 6-B□-A8	19	15	45			47		
ZPT□□B□□□10-B□-A8	24		78			80	5	8
ZPT□□B□□□15-B□-A8	29	43	83	3	6	85		
ZPT□□B□□□25-B□-A8	39		93			95		



## Bellows

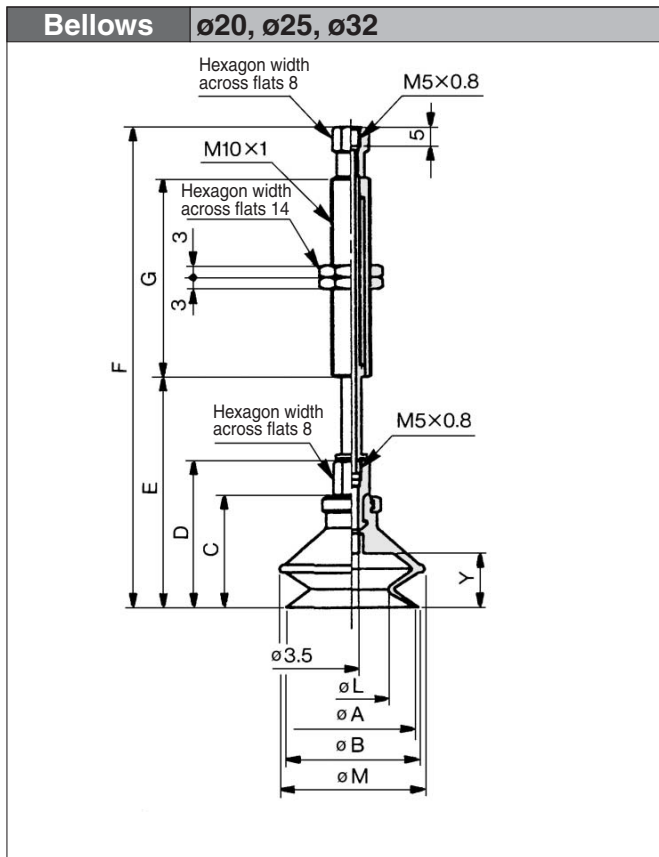
Model	A	B	C	D	L	M	Y
ZPT10B□□□□-B5-A10	10	12	16	25	5.5	13.8	5.5
ZPT13B□□□□-B5-A10	13	15	18.5	27.5	8.7	19	7.5
ZPT16B□□□□-B5-A10	16	18	20	29	9.9	21	8.5

## Dimensions by Stroke

Model	$\phi 10$		$\phi 13$		$\phi 16$		G
	E	F	E	F	E	F	
ZPT□□B□□□10-B5-A10	36.5	72.5	39	75	40.5	76.5	23
ZPT□□B□□□20-B5-A10	46.5	110.5	49	113	50.5	114.5	51
ZPT□□B□□□30-B5-A10	56.5	120.5	59	123	60.5	124.5	
ZPT□□B□□□40-B5-A10	66.5	156.5	69	159	70.5	160.5	77
ZPT□□B□□□50-B5-A10	76.5	166.5	79	169	80.5	170.5	

# Vacuum Pad: Vertical Vacuum Entry with Buffer **Series ZPT**

<b>Connection</b>	Female thread (Buffer)	<b>Pad Form</b>	Bellows
<b>Vacuum Entry Port</b>	Vertical	<b>Mounting</b>	Buffer body

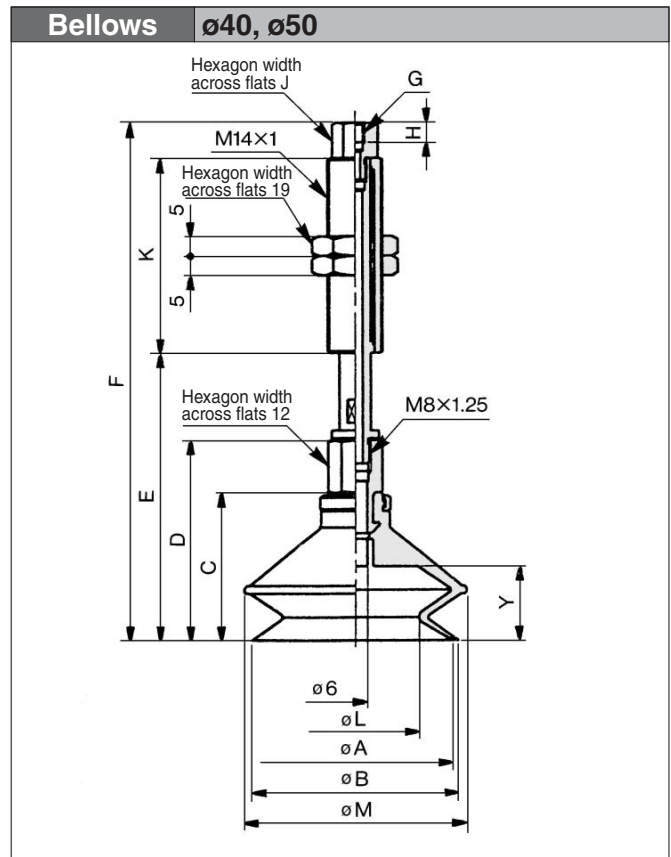


### Bellows

Model	A	B	C	D	L	M	Y
ZPT20B□□□□□-B5-A10	20	22	23.5	32.5	12.4	25	10.5
ZPT25B□□□□□-B5-A10	25	27	24	33	15.6	28	
ZPT32B□□□□□-B5-A10	32	34	29	38	18.9	37	

### Dimensions by Stroke

Model	$\phi 20$		$\phi 25$		$\phi 32$		G
	E	F	E	F	E	F	
ZPT□□B□□□□10-B5-A10	44	80	44.5	80.5	49.5	85.5	23
ZPT□□B□□□□20-B5-A10	54	118	54.5	118.5	59.5	123.5	51
ZPT□□B□□□□30-B5-A10	64	128	64.5	128.5	69.5	133.5	
ZPT□□B□□□□40-B5-A10	74	164	74.5	164.5	79.5	169.5	77
ZPT□□B□□□□50-B5-A10	84	174	84.5	174.5	89.5	179.5	



### Bellows

Model	A	B	C	D	L	M	Y
ZPT40B□□□□□-B□□-A14	40	43	34	47.5	24.4	48	16
ZPT50B□□□□□-B□□-A14	50	53	38	51.5	32.4	57	19

### Dimensions by Stroke

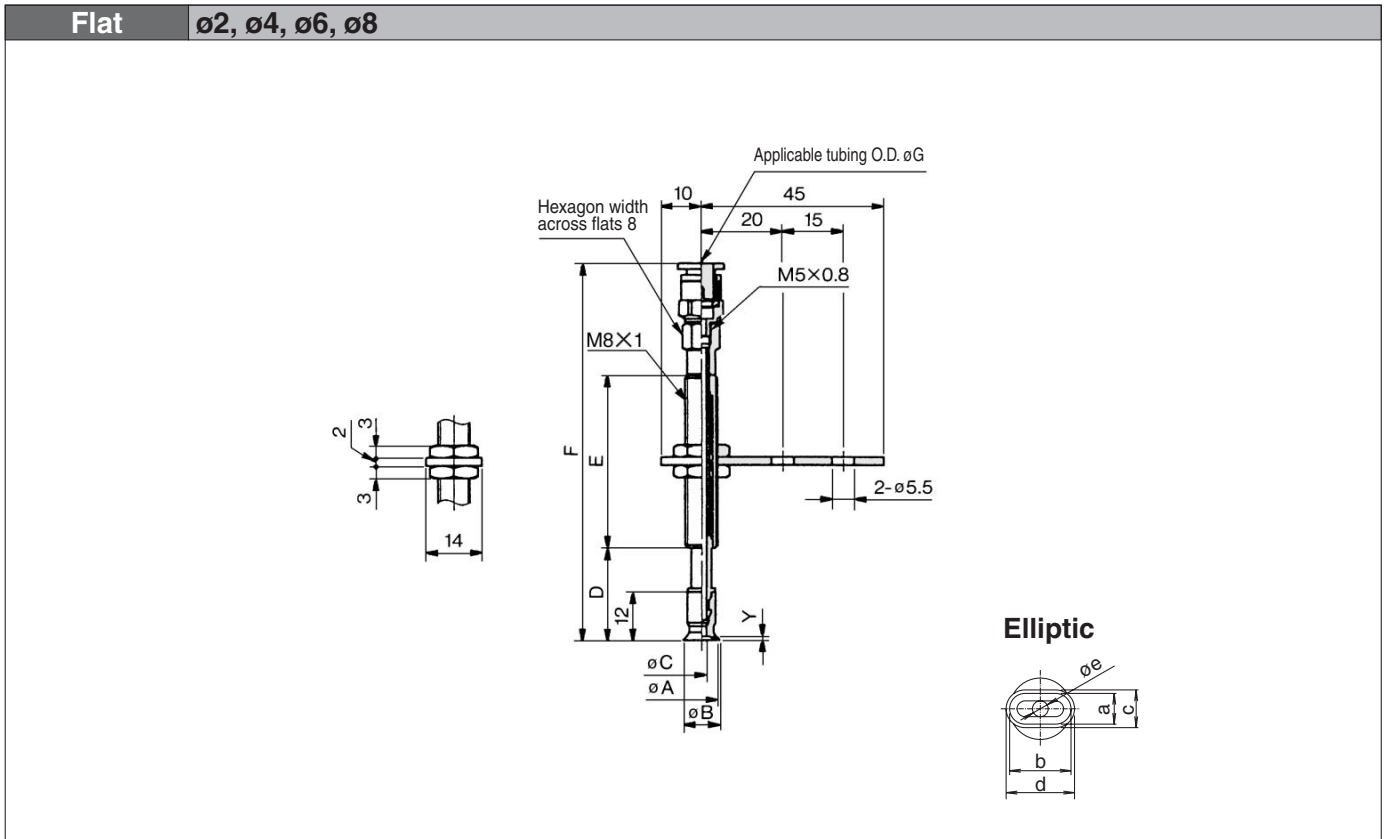
Model	E		G: M5 x 0.8				G: Rc 1/8				K
	$\phi 40$	$\phi 50$	F		H	J	F		H	J	
			$\phi 40$	$\phi 50$			$\phi 40$	$\phi 50$			
ZPT□□B□□□□10-B□□-A14	60	64	125	129	5	10	126.5	130.5	6.2	13	50
ZPT□□B□□□□20-B□□-A14	70	74	129	133			132	136			
ZPT□□B□□□□30-B□□-A14	80	84	139	143			142	146			
ZPT□□B□□□□50-B□□-A14	100	104	184	188			187	191			

- ZX
- ZR
- ZM
- ZH
- ZU
- ZL
- ZY
- ZQ
- ZF
- ZP**
- ZCU
- AMJ
- Misc.



# Series ZPT

<b>Connection</b>	<b>One-touch fitting (Buffer)</b>	<b>Pad Form</b>	<b>Flat/Flat with ribs/Deep/Thin flat Thin flat with ribs/Elliptic</b>
<b>Vacuum Entry Port</b>	<b>Vertical</b>	<b>Mounting</b>	<b>Buffer body</b>



## Flat

Model	A	B	C	Y
ZPT02U□□□□□-0□-A8	2	2.6	1.2	0.8
ZPT04U□□□□□-0□-A8	4	4.8	1.6	
ZPT06U□□□□□-0□-A8	6	7	2.5	
ZPT08U□□□□□-0□-A8	8	9	1	

## Elliptic

Model	a	b	c	d	øe	Y
ZPT2004U	2	4	2.6	4.6	1.2	0.3
ZPT3507U	3.5	7	4.3	7.8	1.8	0.5
ZPT4010U	4	10	5	11	2	0.8

## Thin Flat/Thin Flat with Ribs

Model	A	B	C	Y
ZPT10UT	10	11	2.5	1
ZPT13UT	13	14		1.5
ZPT16UT	16	17		0.8
ZPT10CT	10	11		1
ZPT13CT	13	14		
ZPT16CT	16	17		

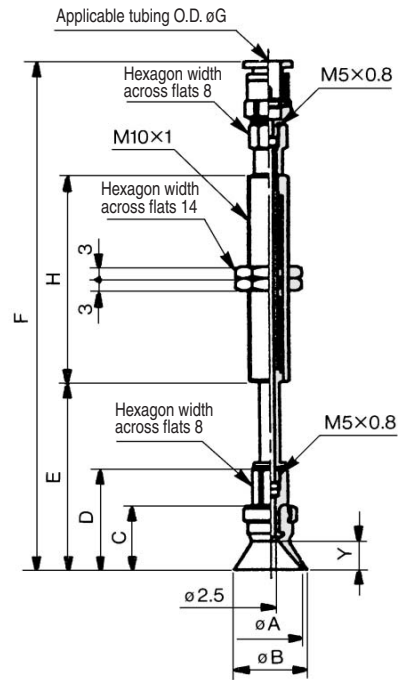
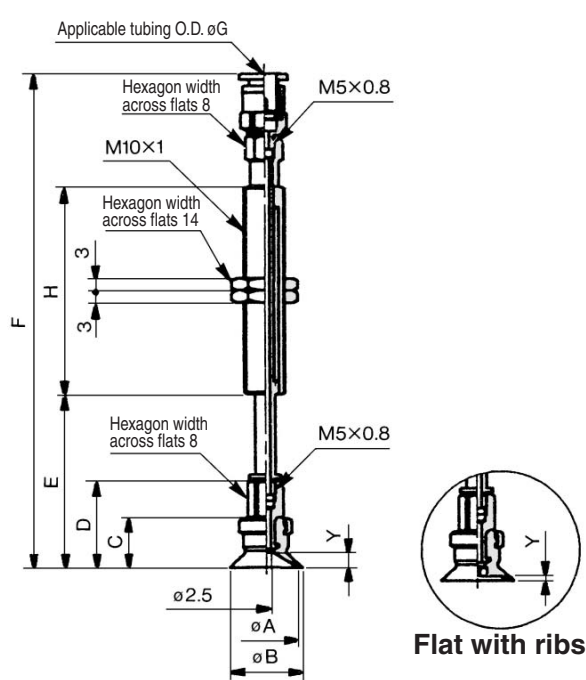
## Dimensions by Stroke

Model	D	E	F	
			G: ø4	G: ø6
ZPT□□□□□□ 6-0□-A8	18	15	60	61
ZPT□□□□□□10-0□-A8	23	43	93	94
ZPT□□□□□□15-0□-A8	28		98	99
ZPT□□□□□□25-0□-A8	38		108	109

# Vacuum Pad: Vertical Vacuum Entry with Buffer **Series ZPT**

<b>Connection</b>	One-touch fitting (Buffer)	<b>Pad Form</b>	Flat/Flat with ribs/Deep
<b>Vacuum Entry Port</b>	Vertical	<b>Mounting</b>	Buffer body

<b>Flat/Flat with ribs</b> $\phi 10, \phi 13, \phi 16$	<b>Deep</b> $\phi 10, \phi 16$
--	--------------------------------



- ZX
- ZR
- ZM
- ZH
- ZU
- ZL
- ZY
- ZQ
- ZF
- ZP**
- ZCU
- AMJ
- Misc.

### Flat/Flat with Ribs

Model	A	B	C	D	Y	
					Flat	Flat with ribs
ZPT10 <sup>U</sup> <sub>C</sub> □□□□□-0□-A10	10	12	12	21	3	1.7
ZPT13 <sup>U</sup> <sub>C</sub> □□□□□-0□-A10	13	15			1.8	
ZPT16 <sup>U</sup> <sub>C</sub> □□□□□-0□-A10	16	18	12.5	21.5	3.5	1.2

### Dimensions by Stroke

Model	$\phi 10, \phi 13$			$\phi 16$			H
	E	F		E	F		
		G: $\phi 4$	G: $\phi 6$		G: $\phi 4$	G: $\phi 6$	
ZPT□□ <sup>U</sup> <sub>C</sub> □□□□10-0□-A10	32.5	82.5	83.5	33	83	84	23
ZPT□□ <sup>U</sup> <sub>C</sub> □□□□20-0□-A10	42.5	120.5	121.5	43	121	122	51
ZPT□□ <sup>U</sup> <sub>C</sub> □□□□30-0□-A10	52.5	130.5	131.5	53	131	132	
ZPT□□ <sup>U</sup> <sub>C</sub> □□□□40-0□-A10	62.5	166.5	167.5	63	167	168	77
ZPT□□ <sup>U</sup> <sub>C</sub> □□□□50-0□-A10	72.5	176.5	177.5	73	177	178	

### Deep

Model	A	B	C	D	Y
ZPT10D□□□□□-0□-A10	10	12	15	24	6
ZPT16D□□□□□-0□-A10	16	18	16	25	7

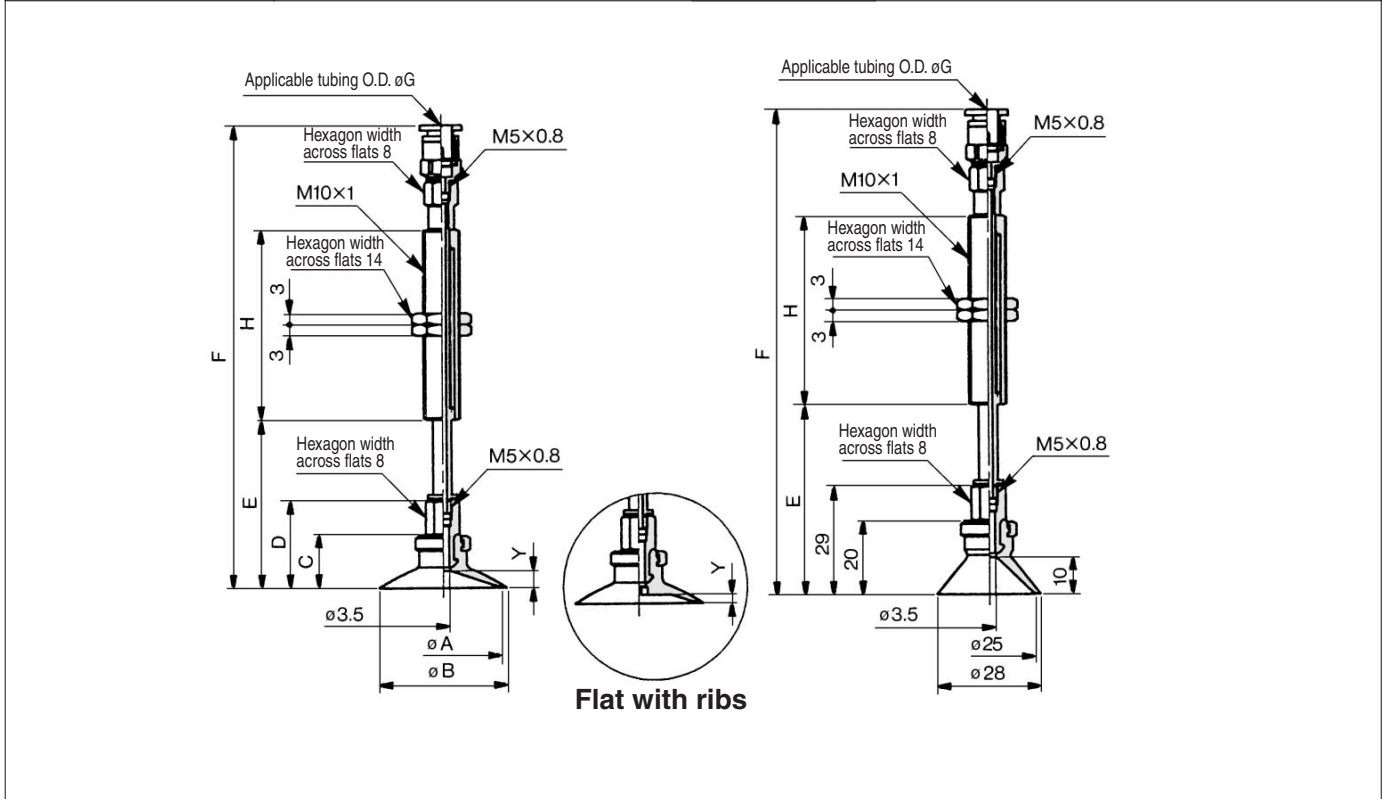
### Dimensions by Stroke

Model	$\phi 10$			$\phi 16$			H
	E	F		E	F		
		G: $\phi 4$	G: $\phi 6$		G: $\phi 4$	G: $\phi 6$	
ZPT□□D□□□□10-0□-A10	35.5	85.5	86.5	36.5	86.5	87.5	23
ZPT□□D□□□□20-0□-A10	45.5	123.5	124.5	46.5	124.5	125.5	51
ZPT□□D□□□□30-0□-A10	55.5	133.5	134.5	56.5	134.5	135.5	
ZPT□□D□□□□40-0□-A10	65.5	169.5	170.5	66.5	170.5	171.5	77
ZPT□□D□□□□50-0□-A10	75.5	179.5	180.5	76.5	180.5	181.5	

# Series ZPT

<b>Connection</b>	<b>One-touch fitting (Buffer)</b>	<b>Pad Form</b>	<b>Flat/Flat with ribs/Deep</b>
<b>Vacuum Entry Port</b>	<b>Vertical</b>	<b>Mounting</b>	<b>Buffer body</b>

<b>Flat/Flat with ribs</b>	<b>ø20, ø25, ø32</b>	<b>Deep</b>	<b>ø25</b>
----------------------------	----------------------	-------------	------------



## Flat Type/Flat with Ribs

Model	A	B	C	D	Y	
					Flat	Flat with ribs
ZPT20 <sub>C</sub> □□□□□-0□-A10	20	23	14	23	4	1.7
ZPT25 <sub>C</sub> □□□□□-0□-A10	25	28				1.8
ZPT32 <sub>C</sub> □□□□□-0□-A10	32	35	14.5	23.5	4.5	2.3

## Dimensions by Stroke

Model	ø20, ø25			ø32			H
	E	F		E	F		
		G: ø4	G: ø6		G: ø4	G: ø6	
ZPT□□ <sub>C</sub> □□□□10-0□-A10	34.5	84.5	85.5	35	85	86	23
ZPT□□ <sub>C</sub> □□□□20-0□-A10	44.5	122.5	123.5	45	123	124	51
ZPT□□ <sub>C</sub> □□□□30-0□-A10	54.5	132.5	133.5	55	133	134	77
ZPT□□ <sub>C</sub> □□□□40-0□-A10	64.5	168.5	169.5	65	169	170	
ZPT□□ <sub>C</sub> □□□□50-0□-A10	74.5	178.5	179.5	75	179	180	

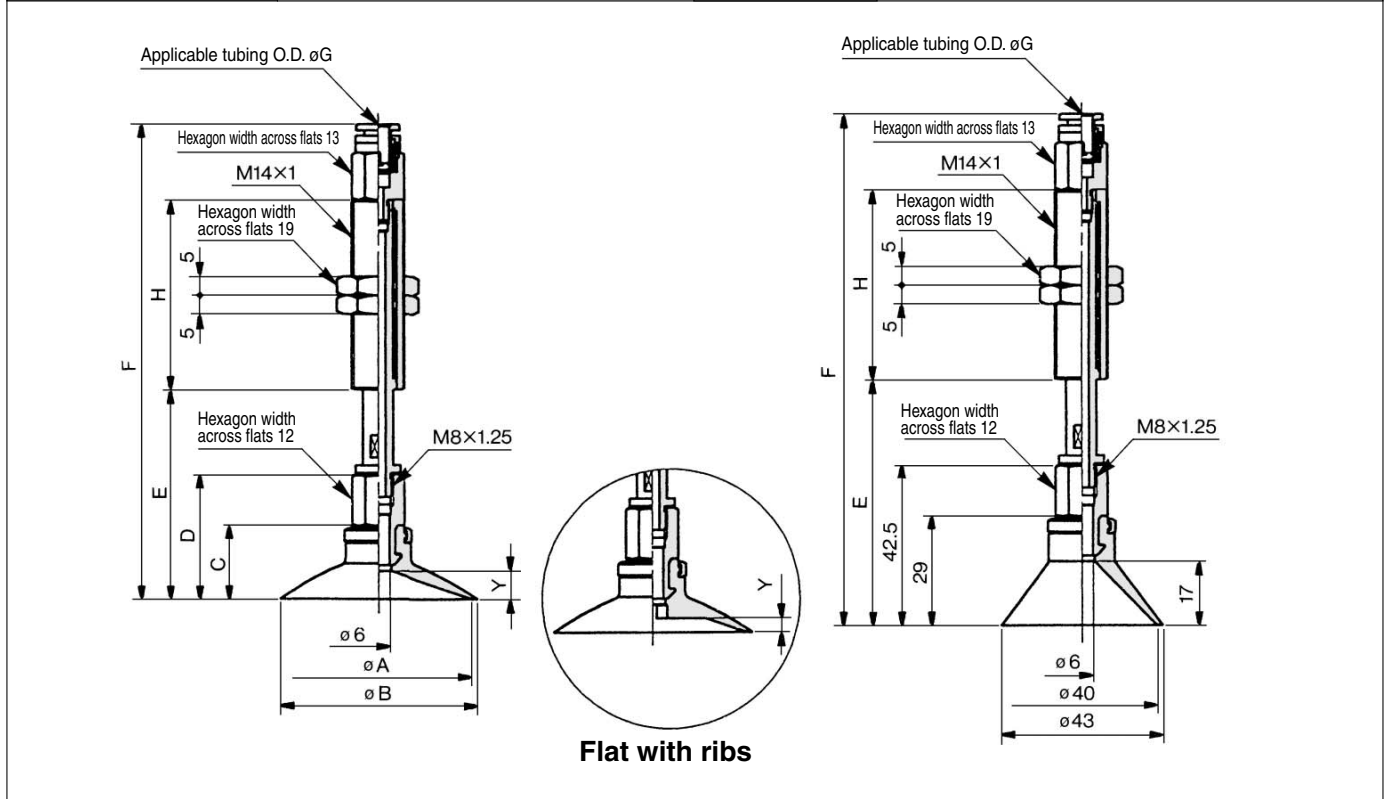
## Deep

Model	E	F		H
		G: ø4	G: ø6	
ZPT25D□□□10-0□-A10	40.5	90.5	91.5	23
ZPT25D□□□20-0□-A10	50.5	128.5	129.5	51
ZPT25D□□□30-0□-A10	60.5	138.5	139.5	
ZPT25D□□□40-0□-A10	70.5	174.5	175.5	77
ZPT25D□□□50-0□-A10	80.5	184.5	185.5	

# Vacuum Pad: Vertical Vacuum Entry with Buffer **Series ZPT**

<b>Connection</b>	One-touch fitting (Buffer)	<b>Pad Form</b>	Flat/Flat with ribs/Deep
<b>Vacuum Entry Port</b>	Vertical	<b>Mounting</b>	Buffer body

<b>Flat/Flat with ribs</b> $\phi 40, \phi 50$	<b>Deep</b> $\phi 40$
---	-----------------------



ZX

ZR

ZM

ZH

ZU

ZL

ZY

ZQ

ZF

**ZP**

ZCU

AMJ

Misc.

### Flat/Flat with Ribs

Model	A	B	C	D	Y	
					Flat	Flat with ribs
ZPT40 $\frac{U}{C}$ □□□□□-0□-A14	40	43	18.5	32	6.5	3.3
ZPT50 $\frac{U}{C}$ □□□□□-0□-A14	50	53	19.5	33	7.5	3.8

### Dimensions by Stroke

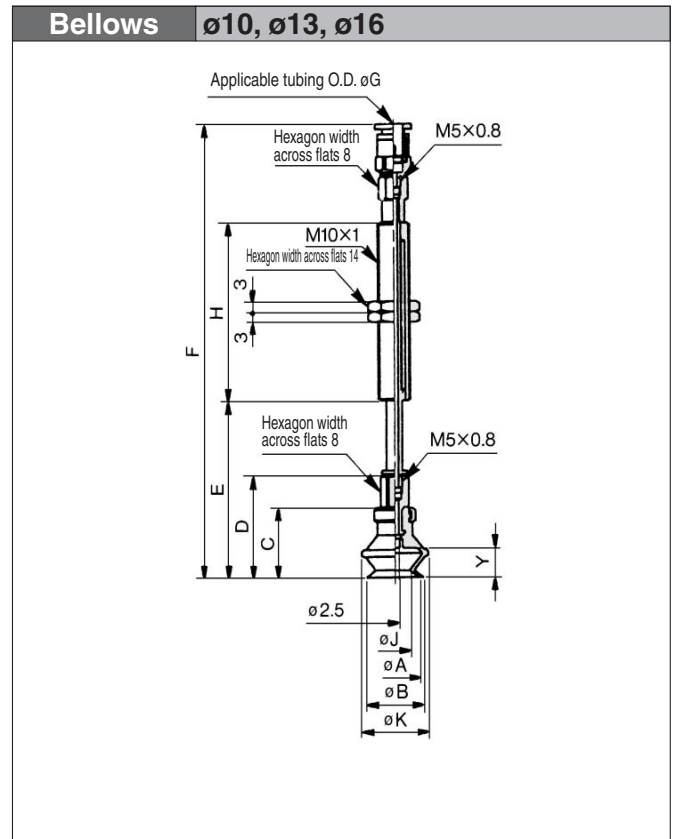
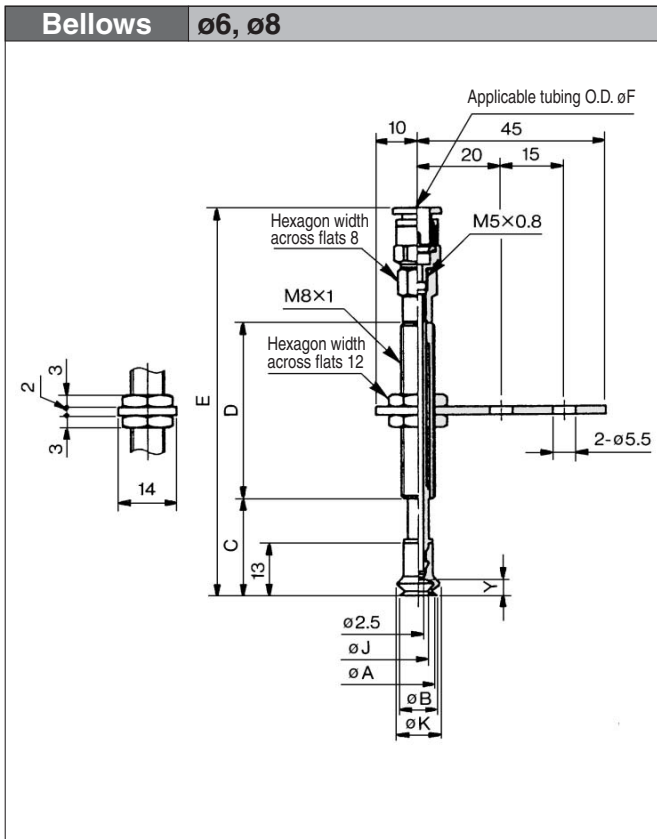
Model	$\phi 40$			$\phi 50$			H
	E	F		E	F		
		G: $\phi 6$	G: $\phi 8$		G: $\phi 6$	G: $\phi 8$	
ZPT□□ $\frac{U}{C}$ □□□□□10-0□-A14	44.5	129.5	135	45.5	130.5	136	50
ZPT□□ $\frac{U}{C}$ □□□□□20-0□-A14	54.5	124.4	129.4	55.5	125.4	130.4	
ZPT□□ $\frac{U}{C}$ □□□□□30-0□-A14	64.5	134.4	139.4	65.5	135.4	140.4	
ZPT□□ $\frac{U}{C}$ □□□□□50-0□-A14	84.5	179.4	184.4	85.5	180.4	185.4	

### Deep

Model	E	F		H
		G: $\phi 6$	G: $\phi 8$	
ZPT40D□□□□10-0□-A14	55	140	145.5	50
ZPT40D□□□□20-0□-A14	65	134.9	139.9	
ZPT40D□□□□30-0□-A14	75	144.9	149.9	
ZPT40D□□□□50-0□-A14	95	189.9	194.9	

# Series ZPT

<b>Connection</b>	<b>One-touch fitting (Buffer)</b>	<b>Pad Form</b>	<b>Bellows</b>
<b>Vacuum Entry Port</b>	<b>Vertical</b>	<b>Mounting</b>	<b>Buffer body</b>



## Bellows

Model	A	B	J	K
ZPT06B□□□□-0□-A8	6	7	3.3	9.1
ZPT08B□□□□-0□-A8	8	9	4.7	10.1

## Dimensions by Stroke

Model	C	D	E	
			F: $\phi 4$	F: $\phi 6$
ZPT□□B□□□ 6-0□-A8	19	15	61	62
ZPT□□B□□□10-0□-A8	24		94	95
ZPT□□B□□□15-0□-A8	29	43	99	100
ZPT□□B□□□25-0□-A8	39		109	110

## Bellows

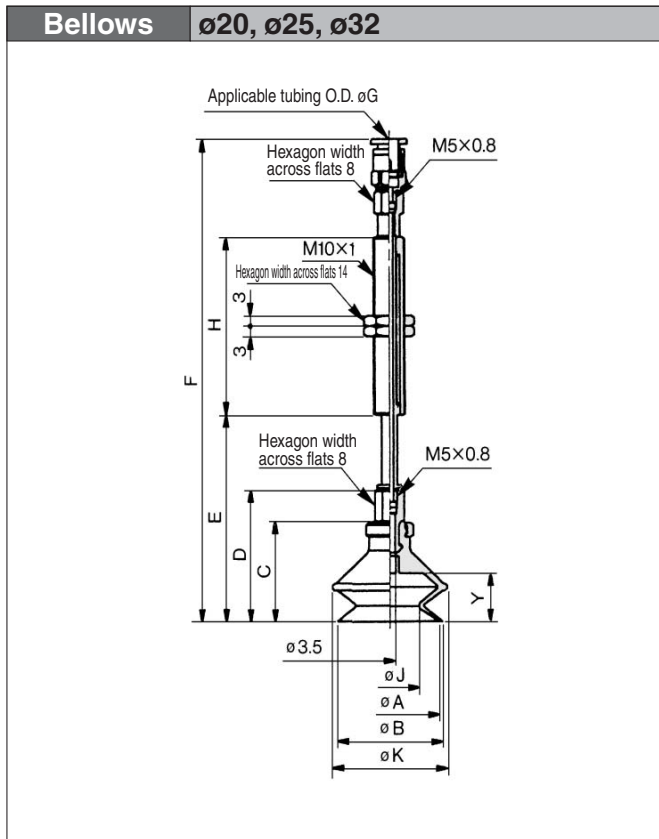
Model	A	B	C	D	J	K	Y
ZPT10B□□□□-0□-A10	10	12	16	25	5.5	13.8	5.5
ZPT13B□□□□-0□-A10	13	15	18.5	27.5	8.7	19	7.5
ZPT16B□□□□-0□-A10	16	18	20	29	9.9	21	8.5

## Dimensions by Stroke

Model	$\phi 10$		$\phi 13$		$\phi 16$		H			
	E	F	E	F	E	F				
		G: $\phi 4$		G: $\phi 6$		G: $\phi 4$		G: $\phi 6$	G: $\phi 4$	G: $\phi 6$
ZPT□□B□□□10-0□-A10	36.5	86.5	87.5	39	89	90	40.5	90.5	91.5	23
ZPT□□B□□□20-0□-A10	46.5	124.5	125.5	49	127	128	50.5	128.5	129.5	51
ZPT□□B□□□30-0□-A10	56.5	134.5	135.5	59	137	138	60.5	138.5	139.5	51
ZPT□□B□□□40-0□-A10	66.5	170.5	171.5	69	173	174	70.5	174.5	185.5	77
ZPT□□B□□□50-0□-A10	76.5	180.5	181.5	79	183	184	80.5	184.5	185.5	77

# Vacuum Pad: Vertical Vacuum Entry with Buffer **Series ZPT**

<b>Connection</b>	One-touch fitting (Buffer)	<b>Pad Form</b>	Bellows
<b>Vacuum Entry Port</b>	Vertical	<b>Mounting</b>	Buffer body

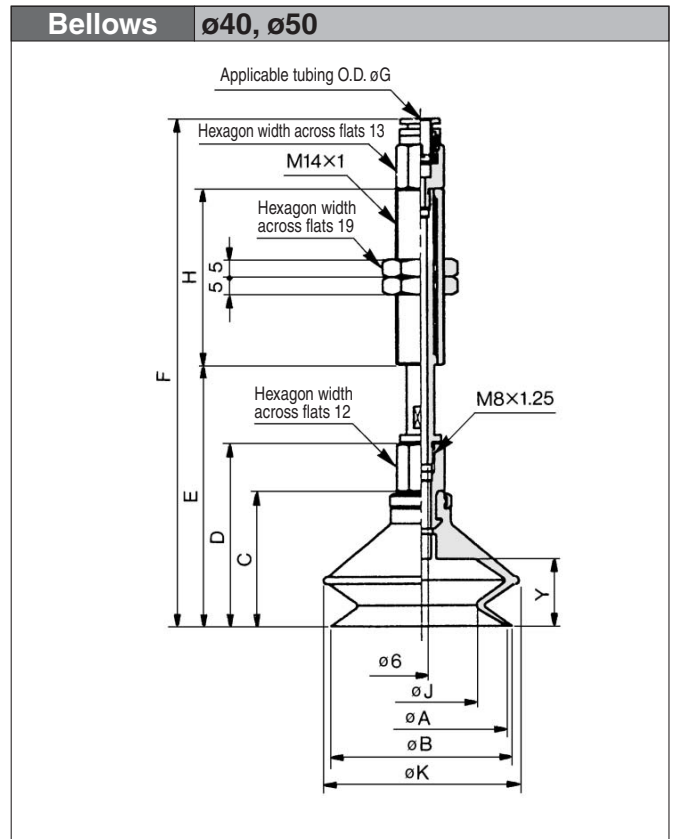


### Bellows

Model	A	B	C	D	J	K	Y
ZPT20B□□□□-0□-A10	20	22	23.5	32.5	12.4	25	10.5
ZPT25B□□□□-0□-A10	25	27	24	33	15.6	28	
ZPT32B□□□□0□-A10	32	34	29	38	18.9	37	

### Dimensions by Stroke

Model	ø20		ø25		ø32		H
	E	F	E	F	E	F	
		G: ø4		G: ø6		G: ø4	
ZPT□□B□□□10-0□-A10	44	94 95	44.5 94.5	95.5	49.5	99.5 100.5	23
ZPT□□B□□□20-0□-A10	54	132 133	54.5 132.5	133.5	59.5	137.5 138.5	
ZPT□□B□□□30-0□-A10	64	142 143	64.5 142.5	143.5	69.5	147.5 148.5	51
ZPT□□B□□□40-0□-A10	74	178 179	74.5 178.5	179.5	79.5	183.5 184.5	77
ZPT□□B□□□50-0□-A10	84	188 189	84.5 188.5	189.5	89.5	193.5 194.5	



### Bellows

Model	A	B	C	D	J	K	Y
ZPT40B□□□□-0□-A14	40	43	34	47.5	24.4	48	16
ZPT50B□□□□-0□-A14	50	53	38	51.5	32.4	57	19

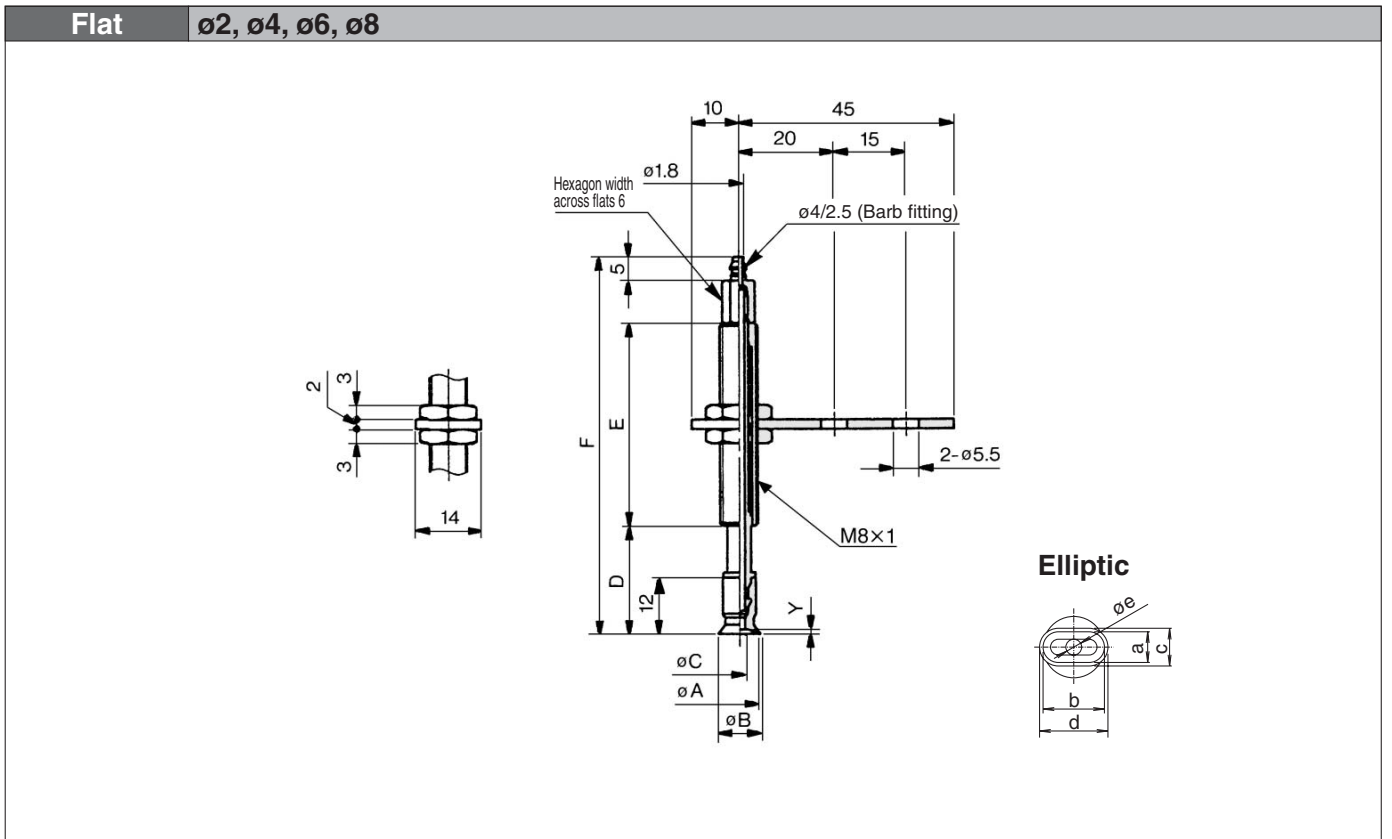
### Dimensions by Stroke

Model	ø40		ø50		H
	E	F	E	F	
		G: ø6		G: ø8	
ZPT□□B□□□10-0□-A14	60	145 150.5	64	149 154.5	50
ZPT□□B□□□20-0□-A14	70	139.9 144.9	74	143.9 148.9	
ZPT□□B□□□30-0□-A14	80	149.9 154.9	84	153.9 158.9	
ZPT□□B□□□50-0□-A14	100	194.9 199.9	104	198.9 203.9	

- ZX
- ZR
- ZM
- ZH
- ZU
- ZL
- ZY
- ZQ
- ZF
- ZP
- ZCU
- AMJ
- Misc.

# Series ZPT

<b>Connection</b>	Barb fitting (Buffer)	<b>Pad Form</b>	Flat/Thin flat/Thin flat with ribs/Elliptic
<b>Vacuum Entry Port</b>	Vertical	<b>Mounting</b>	Buffer body



## Flat

Model	A	B	C	Y
ZPT02U□□□□□-□4-A8	2	2.6	1.2	0.8
ZPT04U□□□□□-□4-A8	4	4.8	1.6	
ZPT06U□□□□□-□4-A8	6	7	2.5	1
ZPT08U□□□□□-□4-A8	8	9		

## Elliptic

Model	a	b	c	d	øe	Y
ZPT2004U	2	4	2.6	4.6	1.2	0.3
ZPT3507U	3.5	7	4.3	7.8	1.8	0.5
ZPT4010U	4	10	5	11	2	0.8

## Thin Flat/Thin Flat with Ribs

Model	A	B	C	Y
ZPT10UT□□	10	11	2.5	1
ZPT13UT□□	13	14		1.5
ZPT16UT□□	16	17		0.8
ZPT10CT□□	10	11	2.5	1
ZPT13CT□□	13	14		
ZPT16CT□□	16	17		

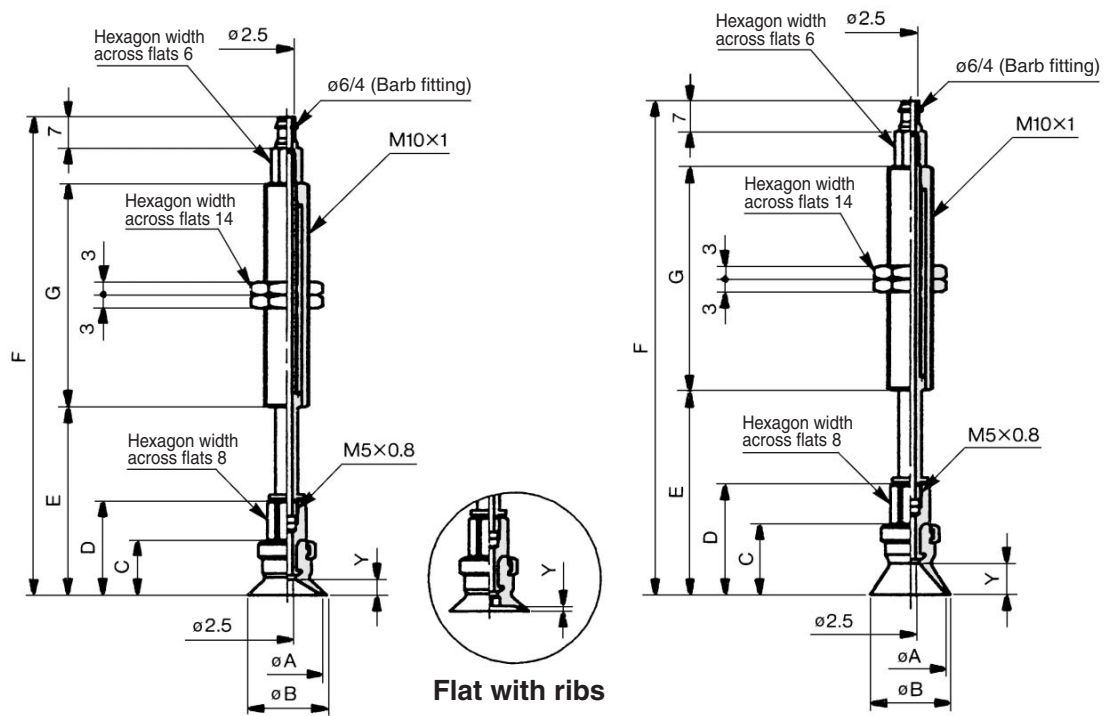
## Dimensions by Stroke

Model	D	E	F
ZPT□□□□□ 6-□4-A8	18	15	47
ZPT□□□□□10-□4-A8	23	43	80
ZPT□□□□□15-□4-A8	28		85
ZPT□□□□□25-□4-A8	38		95

# Vacuum Pad: Vertical Vacuum Entry with Buffer **Series ZPT**

<b>Connection</b>	Barb fitting (Buffer)	<b>Pad Form</b>	Flat/Flat with ribs/Deep
<b>Vacuum Entry Port</b>	Vertical	<b>Mounting</b>	Buffer body

<b>Flat/Flat with ribs</b>	ø10, ø13, ø16	<b>Deep</b>	ø10, ø16
----------------------------	---------------	-------------	----------



ZX

ZR

ZM

ZH

ZU

ZL

ZY

ZQ

ZF

ZP

ZCU

AMJ

Misc.

### Flat/Flat with Ribs

Model	A	B	C	D	Y	
					Flat	Flat with ribs
ZPT10 <sup>U</sup> <sub>C</sub> □□□□□□-□6-A10	10	12	12	21	3	1.7
ZPT13 <sup>U</sup> <sub>C</sub> □□□□□□-□6-A10	13	15				1.8
ZPT16 <sup>U</sup> <sub>C</sub> □□□□□□-□6-A10	16	18	12.5	21.5	3.5	1.2

### Dimensions by Stroke

Model	ø10, ø13		ø16		G
	E	F	E	F	
ZPT□□ <sup>U</sup> <sub>C</sub> □□□□□10-□6-A10	32.5	70.5	33	71	23
ZPT□□ <sup>U</sup> <sub>C</sub> □□□□□20-□6-A10	42.5	108.5	43	109	51
ZPT□□ <sup>U</sup> <sub>C</sub> □□□□□30-□6-A10	52.5	118.5	53	119	
ZPT□□ <sup>U</sup> <sub>C</sub> □□□□□40-□6-A10	62.5	154.5	63	155	77
ZPT□□ <sup>U</sup> <sub>C</sub> □□□□□50-□6-A10	72.5	164.5	73	165	

### Deep

Model	A	B	C	D	Y
ZPT10D□□□□□□-□6-A10	10	12	15	24	6
ZPT16D□□□□□□-□6-A10	16	18	16	25	7

### Dimensions by Stroke

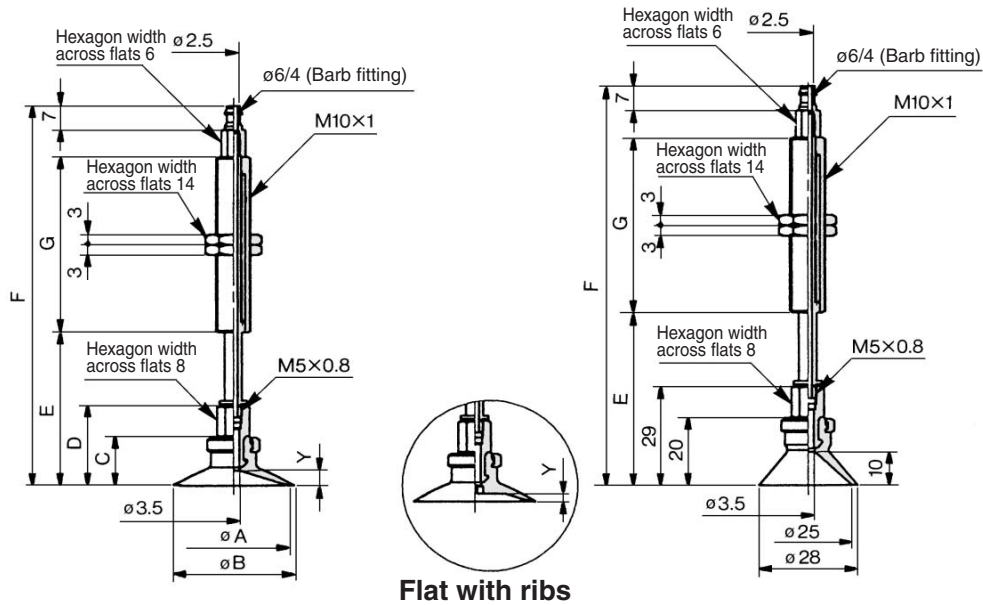
Model	ø10		ø16		G
	E	F	E	F	
ZPT□□D□□□□10-□6-A10	35.5	73.5	36.5	74.5	23
ZPT□□D□□□□20-□6-A10	45.5	111.5	46.5	112.5	51
ZPT□□D□□□□30-□6-A10	55.5	121.5	56.5	122.5	
ZPT□□D□□□□40-□6-A10	65.5	157.7	66.5	158.5	77
ZPT□□D□□□□50-□6-A10	75.5	167.5	76.5	168.5	



# Series ZPT

Connection	Barb fitting (Buffer)	Pad Form	Flat/Flat with Ribs/Deep
Vacuum Entry Port	Vertical	Mounting	Buffer body

Flat/Flat with ribs	ø20, ø25, ø32	Deep	ø25
---------------------	---------------	------	-----



## Flat/Flat with Ribs

Model	A	B	C	D	Y	
					Flat	Flat with ribs
ZPT20 <sub>C</sub> □□□□□□-□6-A10	20	23	14	23	4	1.7
ZPT25 <sub>C</sub> □□□□□□-□6-A10	25	28	14	23	4	1.8
ZPT32 <sub>C</sub> □□□□□□-□6-A10	32	35	14.5	23.5	4.5	2.3

## Deep

Model	E	F	G
ZPT25D□□□□10-□6-A10	40.5	78.5	23
ZPT25D□□□□20-□6-A10	50.5	116.5	51
ZPT25D□□□□30-□6-A10	60.5	126.5	
ZPT25D□□□□40-□6-A10	70.5	162.5	77
ZPT25D□□□□50-□6-A10	80.5	172.5	

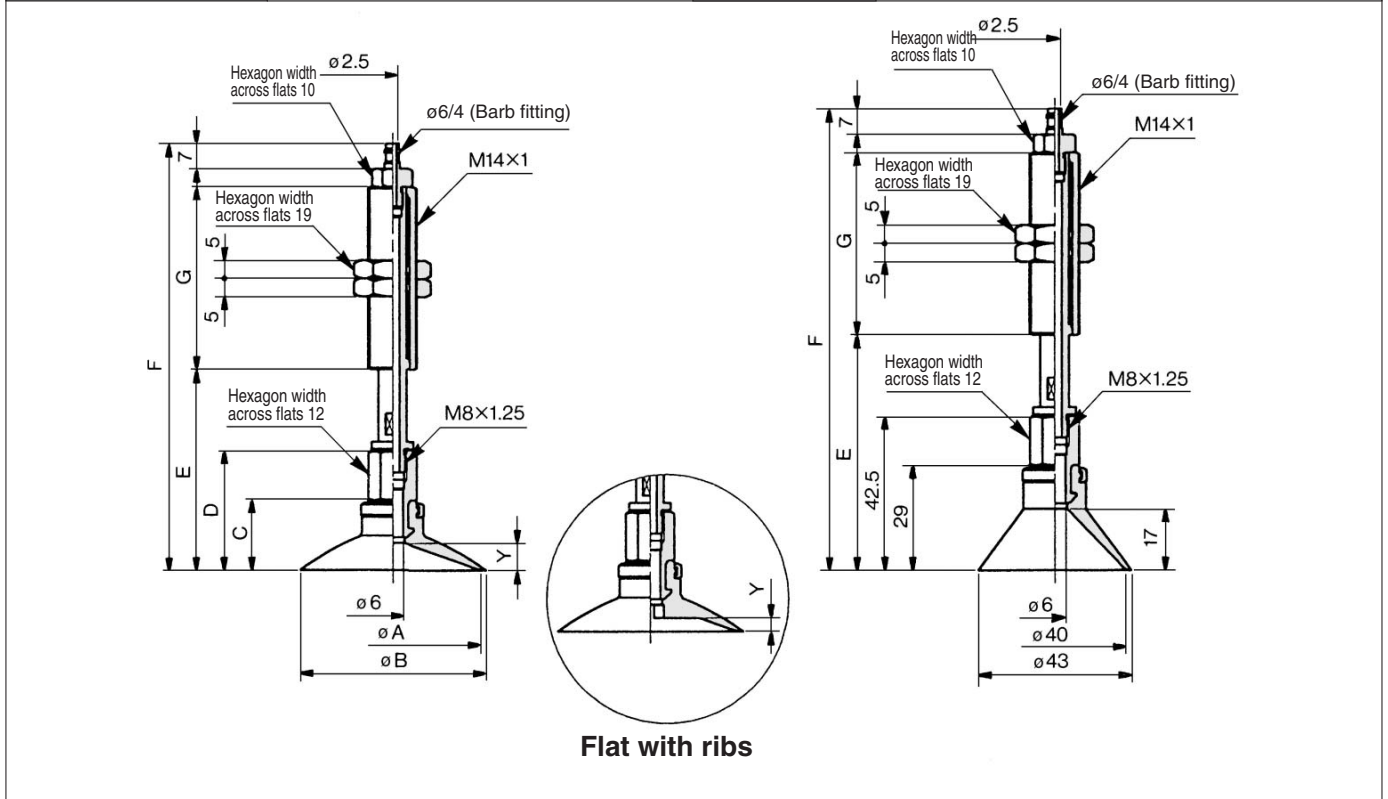
## Dimensions by Stroke

Model	ø20, ø25		ø32		G
	E	F	E	F	
ZPT□□ <sub>C</sub> □□□□□□10-□6-A10	34.5	72.5	35	73	23
ZPT□□ <sub>C</sub> □□□□□□20-□6-A10	44.5	110.5	45	111	51
ZPT□□ <sub>C</sub> □□□□□□30-□6-A10	54.5	120.5	55	121	
ZPT□□ <sub>C</sub> □□□□□□40-□6-A10	64.5	156.5	65	157	77
ZPT□□ <sub>C</sub> □□□□□□50-□6-A10	74.5	166.5	75	167	

# Vacuum Pad: Vertical Vacuum Entry with Buffer **Series ZPT**

<b>Connection</b>	Barb fitting (Buffer)	<b>Pad Form</b>	Flat/Flat with ribs/Deep
<b>Vacuum Entry Port</b>	Vertical	<b>Mounting</b>	Buffer body

<b>Flat/Flat with ribs</b> $\phi 40, \phi 50$	<b>Deep</b> $\phi 40$
---	-----------------------



- ZX
- ZR
- ZM
- ZH
- ZU
- ZL
- ZY
- ZQ
- ZF
- ZP**
- ZCU
- AMJ
- Misc.

### Flat/Flat with Ribs

Model	A	B	C	D	Y	
					Flat	Flat with ribs
ZPT40 $\frac{U}{C}$ □□□□□□-□6-A14	40	43	18.5	32	6.5	3.3
ZPT50 $\frac{U}{C}$ □□□□□□-□6-A14	50	53	19.5	33	7.5	3.8

### Dimensions by Stroke

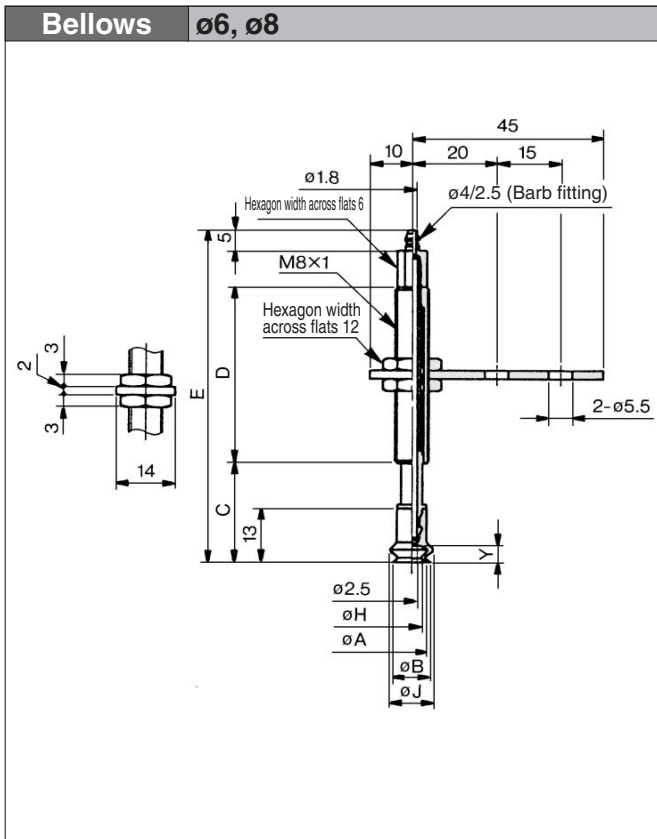
Model	$\phi 40$		$\phi 50$		G
	E	F	E	F	
ZPT□□ $\frac{U}{C}$ □□□□□□10-□6-A14	44.5	113.5	45.5	114.5	50
ZPT□□ $\frac{U}{C}$ □□□□□□20-□6-A14	54.5	116.5	55.5	117.5	
ZPT□□ $\frac{U}{C}$ □□□□□□30-□6-A14	64.5	126.5	65.5	127.5	
ZPT□□ $\frac{U}{C}$ □□□□□□50-□6-A14	84.5	171.5	85.5	172.5	

### Deep

Model	E	F	G
ZPT40D□□□□10-□6-A14	55	124	50
ZPT40D□□□□20-□6-A14	65	127	
ZPT40D□□□□30-□6-A14	75	137	
ZPT40D□□□□50-□6-A14	95	182	

# Series ZPT

Connection	Barb fitting (Buffer)	Pad Form	Bellows
Vacuum Entry Port	Vertical	Mounting	Buffer body

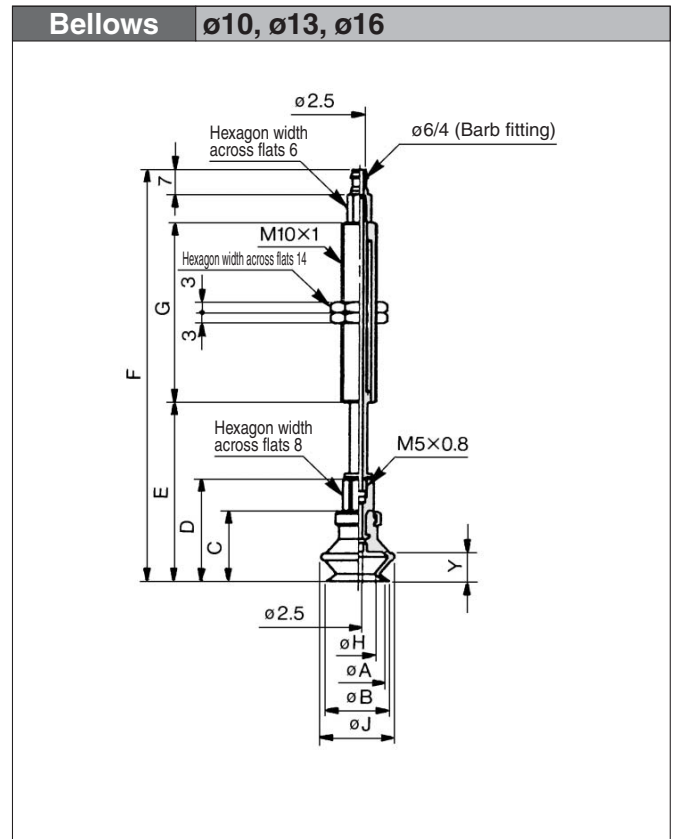


## Bellows

Model	A	B	H	J
ZPT06B□□□□□-□4-A8	6	7	3.3	9.1
ZPT08B□□□□□-□4-A8	8	9	4.7	10.1

## Dimensions by Stroke

Model	C	D	E
ZPT□□B□□□□ 6-□4-A8	19	15	48
ZPT□□B□□□□10-□4-A8	24		81
ZPT□□B□□□□15-□4-A8	29	43	86
ZPT□□B□□□□25-□4-A8	39		96



## Bellows

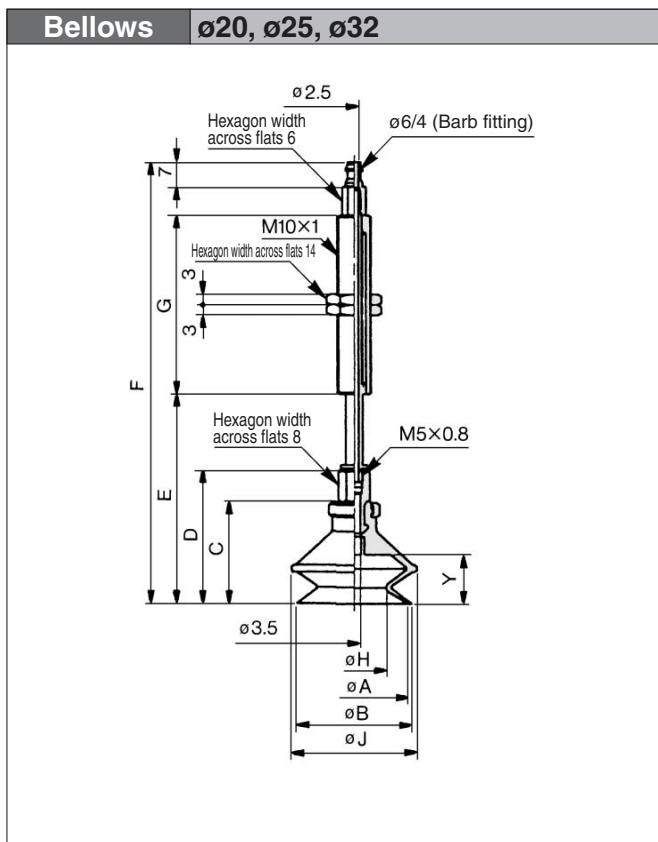
Model	A	B	C	D	H	J	Y
ZPT10B□□□□□-□6-A10	10	12	16	25	5.5	13.8	5.5
ZPT13B□□□□□-□6-A10	13	15	18.5	27.5	8.7	19	7.5
ZPT16B□□□□□-□6-A10	16	18	20	29	9.9	21	8.5

## Dimensions by Stroke

Model	$\phi 10$		$\phi 13$		$\phi 16$		G
	E	F	E	F	E	F	
ZPT□□B□□□□10-□6-A10	36.5	74.5	39	77	40.5	78.5	23
ZPT□□B□□□□20-□6-A10	46.5	112.5	49	115	50.5	116.5	51
ZPT□□B□□□□30-□6-A10	56.5	122.5	59	125	60.5	126.5	
ZPT□□B□□□□40-□6-A10	66.5	158.5	69	161	70.5	162.5	77
ZPT□□B□□□□50-□6-A10	76.5	168.5	79	171	80.5	172.5	

# Vacuum Pad: Vertical Vacuum Entry with Buffer **Series ZPT**

<b>Connection</b>	<b>Barb fitting (Buffer)</b>	<b>Pad Form</b>	<b>Bellows</b>
<b>Vacuum Entry Port</b>	<b>Vertical</b>	<b>Mounting</b>	<b>Buffer body</b>

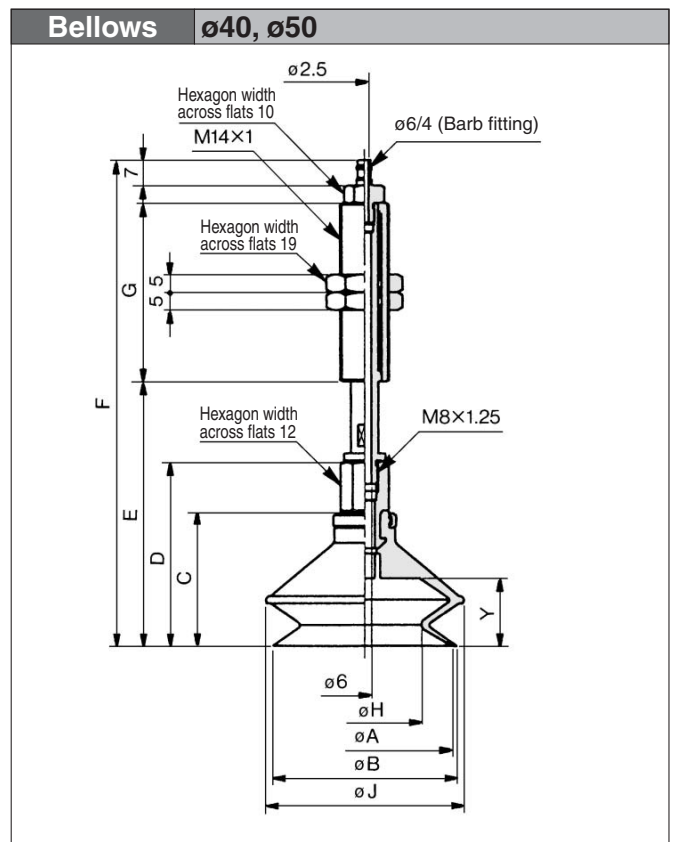


### Bellows

Model	A	B	C	D	H	J	Y
ZPT20B□□□□□□-□6-A10	20	22	23.5	32.5	12.4	25	10.5
ZPT25B□□□□□□-□6-A10	25	27	24	33	15.6	28	
ZPT32B□□□□□□-□6-A10	32	34	29	38	18.9	37	

### Dimensions by Stroke

Model	$\phi 20$		$\phi 25$		$\phi 32$		G
	E	F	E	F	E	F	
ZPT□□B□□□□10-□6-A10	44	82	44.5	82.5	49.5	87.5	23
ZPT□□B□□□□20-□6-A10	54	120	54.5	120.5	59.5	125.5	51
ZPT□□B□□□□30-□6-A10	64	130	64.5	130.5	69.5	135.5	
ZPT□□B□□□□40-□6-A10	74	166	74.5	166.5	79.5	171.5	77
ZPT□□B□□□□50-□6-A10	84	176	84.5	176.5	89.5	181.5	



### Bellows

Model	A	B	C	D	H	J	Y
ZPT40B□□□□□□-□6-A14	40	43	34	47.5	24.4	48	16
ZPT50B□□□□□□-□6-A14	50	53	38	51.5	32.4	57	19

### Dimensions by Stroke

Model	$\phi 40$		$\phi 50$		G
	E	F	E	F	
ZPT□□B□□□□10-□6-A14	60	129	64	133	50
ZPT□□B□□□□20-□6-A14	70	132	74	136	
ZPT□□B□□□□30-□6-A14	80	142	84	146	
ZPT□□B□□□□50-□6-A14	100	187	104	191	75

ZX

ZR

ZM

ZH

ZU

ZL

ZY

ZQ

ZF

ZP

ZCU

AMJ

Misc.