

Vacuum Pad: Large/Heavy Duty Type Vertical Vacuum Entry Without Buffer

Series ZPT



Specifications

Mounting	Vacuum entry direction	Vertical		
	Connection	Male thread	Female thread	
	Thread dia.	ø40, ø50	M14 x 1	M8 x 1.25, M10 x 1.5
		ø63, ø80	M16 x 1.5	M8 x 1.25, M10 x 1.5, M12 x 1.75, M16 x 1.5
	ø100, ø125	M16 x 1.5	M12 x 1.75, M16 x 1.5	
	Vacuum entry port	Rc 1/8	Use the mounting port	

Pad Type

Pad diameter (mm)	ø40, ø50, ø63, ø80, ø100, ø125
Material (color)	NBR (Black), Silicon rubber (White), Urethane rubber (Brown), Fluoro rubber (Black with mark F), EPR (Black with mark E)
Durometer	NBR/Silicone rubber/EPR (50°), Urethane/Fluoro rubber (60°)

Weight

(g)

Pad dia.	Silicon rubber	Urethane rubber	Fluoro rubber	EPR
ø40	-1	0	5	-1
ø50	-1	0	8	0
ø63	-2	0	16	0
ø80	-3	1	27	-1
ø100	-5	1	53	-1
ø125	-8	3	84	0

Weight (NBR)

Model	Weight (g)	Model	Weight (g)
ZPT40HN-A14	71	ZPT80HN-A16	178
ZPT40HN-B8	38	ZPT80HN-B8	144
ZPT40HN-B10	37	ZPT80HN-B10	143
ZPT50HN-A14	83	ZPT80HN-B12	141
ZPT50HN-B8	50	ZPT80HN-B16	139
ZPT50HN-B10	49	ZPT100HN-A16	350
ZPT63HN-A16	149	ZPT100HN-B12	301
ZPT63HN-B8	115	ZPT100HN-B16	299
ZPT63HN-B10	114	ZPT125HN-A16	414
ZPT63HN-B12	112	ZPT125HN-B12	365
ZPT63HN-B16	110	ZPT125HN-B16	363

Add or deduct the weight shown in the table on the left for other materials.

How to Order

ZPT 40 H N A14

Pad diameter (mm)

40	ø40
50	ø50
63	ø63
80	ø80
100	ø100
125	ø125

Vacuum entry/Mounting thread diameter

(Vacuum entry port)		ø40, ø50	ø63, ø80	ø100, ø125
A14	M14 x 1	●	—	—
A16	M16 x 1.5	—	●	●
B8	M8 x 1.25	●	●	—
B10	M10 x 1.5	●	●	—
B12	M12 x 1.75	—	●	●
B16	M16 x 1.5	—	●	●

Pad type

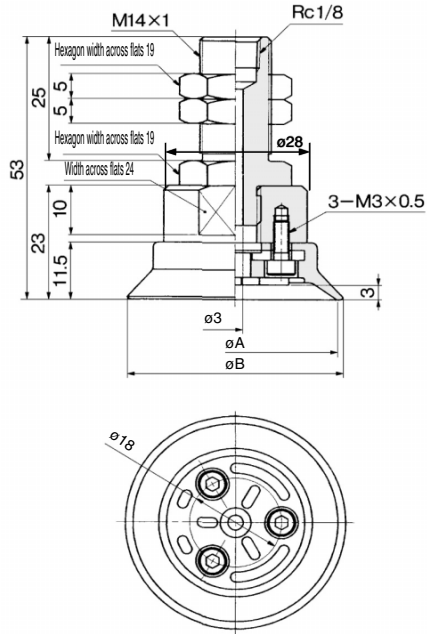
H	Heavy duty
---	------------

Material

N	NBR
S	Silicon rubber
U	Urethane rubber
F	Fluoro rubber
E	EPR

Vacuum Pad: Large/Heavy Duty Type Vertical Vacuum Entry without Buffer **Series ZPT**

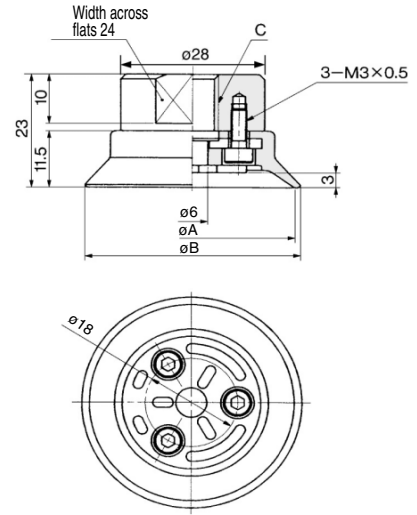
ZPT₅₀⁴⁰ H□-A14 (Male thread)



(mm)

Model	øA	øB
ZPT40H□-A14	40	42
ZPT50H□-A14	50	52

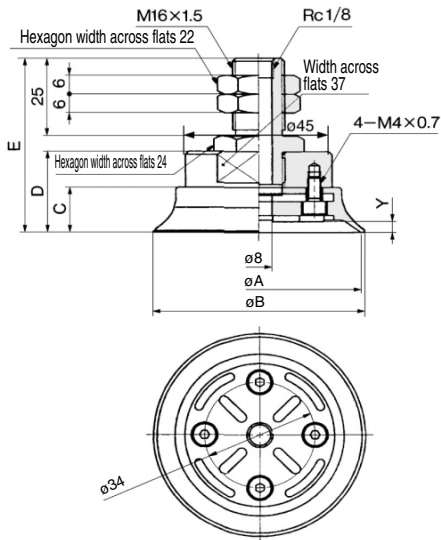
ZPT₅₀⁴⁰ H□-B□ (Female thread)



(mm)

Model	øA	øB	C
ZPT40H□-B8	40	42	M8 x 1.25
ZPT40H□-B10	40	42	M10 x 1.5
ZPT50H□-B8	50	52	M8 x 1.25
ZPT50H□-B10	50	52	M10 x 1.5

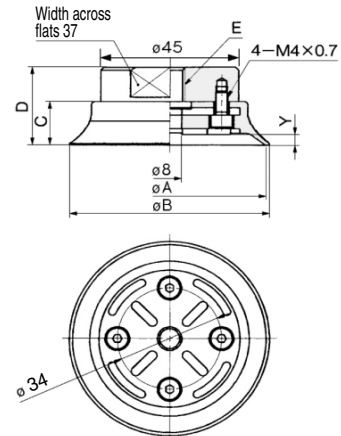
ZPT₈₀⁶³ 6380H□-A16 (Male thread)



(mm)

Model	øA	øB	C	D	E	Y
ZPT63H□-A16	63	65	14.5	26	56	3.5
ZPT80H□-A16	80	82	16.5	28	58	4.5

ZPT₈₀⁶³ H□-B□ (Female thread)



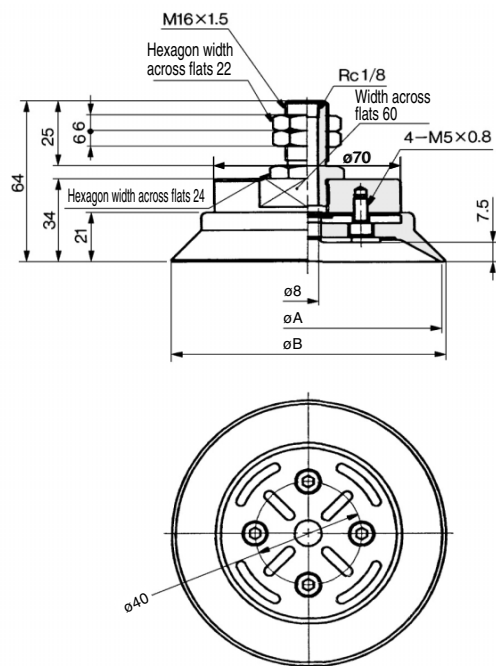
(mm)

Model	øA	øB	C	D	E	Y
ZPT63H□-B8	63	65	14.5	26	M8 x 1.25	3.5
ZPT63H□-B10	63	65	14.5	26	M10 x 1.5	3.5
ZPT63H□-B12	63	65	14.5	26	M12 x 1.75	3.5
ZPT63H□-B16	63	65	14.5	26	M16 x 1.5	3.5
ZPT80H□-B8	80	82	16.5	28	M8 x 1.25	4.5
ZPT80H□-B10	80	82	16.5	28	M10 x 1.5	4.5
ZPT80H□-B12	80	82	16.5	28	M12 x 1.75	4.5
ZPT80H□-B16	80	82	16.5	28	M16 x 1.5	4.5

- ZX
- ZR
- ZM
- ZH
- ZU
- ZL
- ZY
- ZQ
- ZF
- ZP
- ZCU
- AMJ
- Misc.

Series ZPT

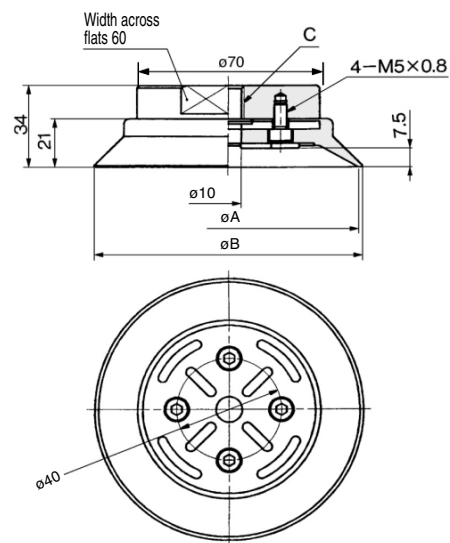
ZPT₁₀₀¹⁰⁰/₁₂₅ H□-A16 (Male thread)



(mm)

Model	øA	øB
ZPT100H□-A16	100	103
ZPT125H□-A16	125	128

ZPT₁₀₀¹⁰⁰/₁₂₅ H□-B□ (Female thread)



(mm)

Model	øA	øB	C
ZPT100H□-B12	100	103	M12 x 1.75
ZPT100H□-B16	100	103	M16 x 1.5
ZPT125H□-B12	125	128	M12 x 1.75
ZPT125H□-B16	125	128	M16 x 1.5