

# Vacuum Pad: Large Size Bellows Type Vertical Vacuum Entry Without Buffer

## Series ZPT



### Specifications

|                   |                        |   |               |         |                       |          |           |  |            |           |
|-------------------|------------------------|---|---------------|---------|-----------------------|----------|-----------|--|------------|-----------|
| Mounting          | Vacuum entry direction | Vertical  |               |         |                       |          |           |  |            |           |
|                   | Connection             | Male thread   | Female thread |         |                       |          |           |  |            |           |
|                   | Thread dia.            | <table border="1"> <tr> <td>ø40, ø50</td> <td>M14 x 1</td> <td>M 8 x 1.25, M10 x 1.5</td> </tr> <tr> <td>ø63, ø80</td> <td>M16 x 1.5</td> <td>M 8 x 1.25, M10 x 1.5, M12 x 1.75, M16 x 1.5</td> </tr> <tr> <td>ø100, ø125</td> <td>M16 x 1.5</td> <td>M12 x 1.75, M16 x 1.5</td> </tr> </table> | ø40, ø50      | M14 x 1 | M 8 x 1.25, M10 x 1.5 | ø63, ø80 | M16 x 1.5 | M 8 x 1.25, M10 x 1.5, M12 x 1.75, M16 x 1.5 | ø100, ø125 | M16 x 1.5 |
| ø40, ø50          | M14 x 1                | M 8 x 1.25, M10 x 1.5   |               |         |                       |          |           |  |            |           |
| ø63, ø80          | M16 x 1.5              | M 8 x 1.25, M10 x 1.5, M12 x 1.75, M16 x 1.5  |               |         |                       |          |           |  |            |           |
| ø100, ø125        | M16 x 1.5              | M12 x 1.75, M16 x 1.5   |               |         |                       |          |           |  |            |           |
| Vacuum entry port | Rc 1/8                 | Use the mounting port   |               |         |                       |          |           |  |            |           |

### Pad Type

|                   |   |
|-------------------|---|
| Pad diameter (mm) | ø40, ø50, ø63, ø80, ø100, ø125  |
| Material (Color)  | NBR (Black), Silicone rubber (White), Urethane rubber (Brown), Fluoro rubber (Black with mark $\text{\textcircled{F}}$ ), EPR (Black with mark $\text{\textcircled{E}}$ ) |
| Durometer         | NBR/Silicone rubber/EPR (50°), Urethane/Fluoro rubber (60°)   |

### Weight

(g)

#### NBR

| Model        | Weight | Model         | Weight |
|--------------|--------|---------------|--------|
| ZPT40HBN-A14 | 73     | ZPT 80HBN-A16 | 195    |
| -B8          | 40     | -B8           | 161    |
| -B10         | 39     | -B10          | 160    |
| ZPT50HBN-A14 | 89     | -B12          | 158    |
| -B8          | 56     | -B16          | 156    |
| -B10         | 55     | ZPT100HBN-A16 | 396    |
| ZPT63HBN-A16 | 155    | -B12          | 347    |
| -B8          | 121    | -B16          | 345    |
| -B10         | 120    | ZPT125HBN-A16 | 580    |
| -B12         | 118    | -B12          | 531    |
| -B16         | 116    | -B16          | 529    |

Add NBR weight to below table for other materials.

| Pad dia. | Silicon rubber | Urethane rubber | Fluoro rubber | EPR |
|----------|----------------|-----------------|---------------|-----|
| ø40      | -1             | +1              | +10           | 0   |
| ø50      | -2             | +1              | +19           | 0   |
| ø63      | -3             | +2              | +37           | 0   |
| ø80      | -6             | +2              | +61           | 0   |
| ø100     | -12            | +4              | +121          | -1  |
| ø125     | -22            | +7              | +228          | -3  |

### How to Order

ZPX 40 HB N A14

Pad diameter (mm)

|     |      |
|-----|------|
| 40  | ø40  |
| 50  | ø50  |
| 63  | ø63  |
| 80  | ø80  |
| 100 | ø100 |
| 125 | ø125 |

Pad type

|    |                   |
|----|-------------------|
| HB | Large bellows pad |
|----|-------------------|

Vacuum entry/Mounting thread diameter

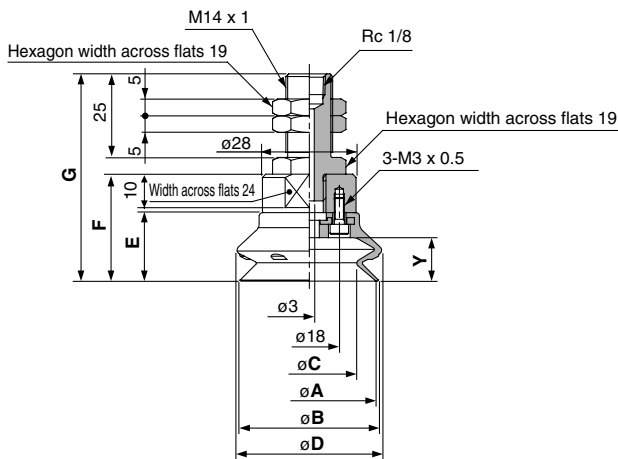
|     |            | ø40, ø50 | ø63, ø80 | ø100, ø125 |
|-----|------------|----------|----------|------------|
| A14 | M14 x 1    | ●        | —        | —          |
| A16 | M16 x 1.5  | —        | ●        | ●          |
| B8  | M 8 x 1.25 | ●        | ●        | —          |
| B10 | M10 x 1.5  | ●        | ●        | —          |
| B12 | M12 x 1.75 | —        | ●        | ●          |
| B16 | M16 x 1.5  | —        | ●        | ●          |

Material

|   |                 |
|---|-----------------|
| N | NBR             |
| S | Silicon rubber  |
| U | Urethane rubber |
| F | Fluoro rubber   |
| E | EPR             |

# Vacuum Pad: Large Size Bellows Type Vertical Vacuum Entry without Buffer **Series ZPT**

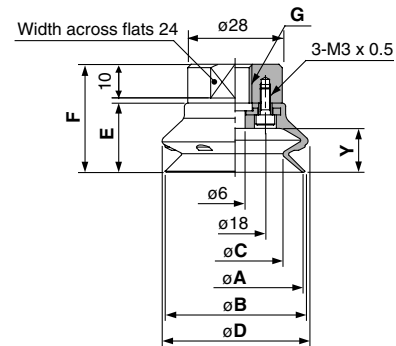
## ZPT<sup>63</sup><sub>80</sub> HB□-A14 (Male thread)



### Dimensions (mm)

| Model        | A  | B    | C    | D    | E    | F    | G    | Y    |
|--------------|----|------|------|------|------|------|------|------|
| ZPT40HB□-A14 | 40 | 41.4 | 28.4 | 43.2 | 20.5 | 32   | 62   | 13   |
| ZPT50HB□-A14 | 50 | 51.9 | 35.7 | 54   | 24   | 35.5 | 65.5 | 16.5 |

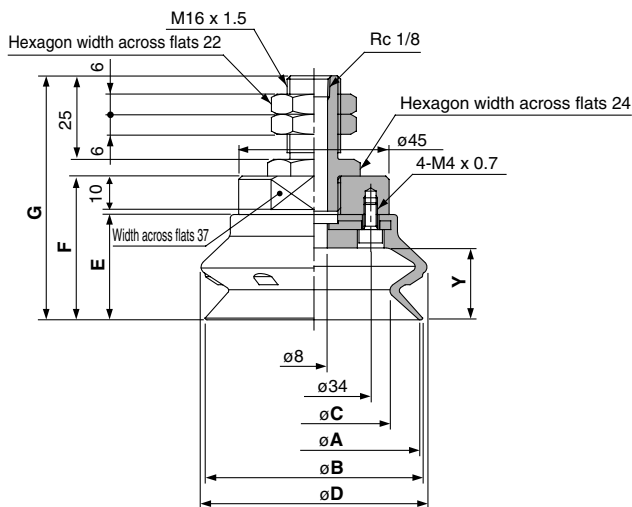
## ZPT<sup>63</sup><sub>80</sub> HB□-B□ (Female thread)



### Dimensions (mm)

| Model       | A         | B    | C    | D    | E    | F  | G         | Y  |
|-------------|-----------|------|------|------|------|----|-----------|----|
| ZPT40HB□-B8 | 40        | 41.4 | 28.4 | 43.2 | 20.5 | 32 | M8 x 1.25 | 13 |
| -B10        |           |      |      |      |      |    | M10 x 1.5 |    |
| ZPT50HB□-B8 |           |      |      |      |      |    | 50        |    |
| -B10        | M10 x 1.5 |      |      |      |      |    |           |    |

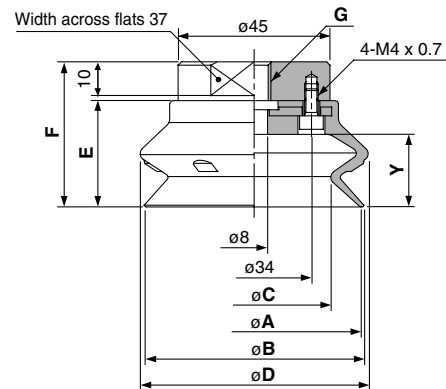
## ZPT<sup>63</sup><sub>80</sub> HB□-A16 (Male thread)



### Dimensions (mm)

| Model        | A  | B    | C    | D    | E    | F    | G    | Y    |
|--------------|----|------|------|------|------|------|------|------|
| ZPT63HB□-A16 | 63 | 65.1 | 45.5 | 67.6 | 31.5 | 43   | 73   | 21.5 |
| ZPT80HB□-A16 | 80 | 83   | 58.4 | 85.1 | 37   | 48.5 | 78.5 | 27.5 |

## ZPT<sup>63</sup><sub>80</sub> HB□-B□ (Female thread)



### Dimensions (mm)

| Model       | A  | B    | C    | D    | E    | F    | G          | Y    |
|-------------|----|------|------|------|------|------|------------|------|
| ZPT63HB□-B8 | 63 | 65.1 | 45.5 | 67.6 | 31.5 | 43   | M8 x 1.25  | 21.5 |
| -B10        |    |      |      |      |      |      | M10 x 1.5  |      |
| -B12        |    |      |      |      |      |      | M12 x 1.75 |      |
| -B16        |    |      |      |      |      |      | M16 x 1.5  |      |
| ZPT80HB□-B8 | 80 | 83   | 58.4 | 85.1 | 37   | 48.5 | M8 x 1.25  | 27.5 |
| -B10        |    |      |      |      |      |      | M10 x 1.5  |      |
| -B12        |    |      |      |      |      |      | M12 x 1.75 |      |
| -B16        |    |      |      |      |      |      | M16 x 1.5  |      |

ZX

ZR

ZM

ZH

ZU

ZL

ZY

ZQ

ZF

ZP

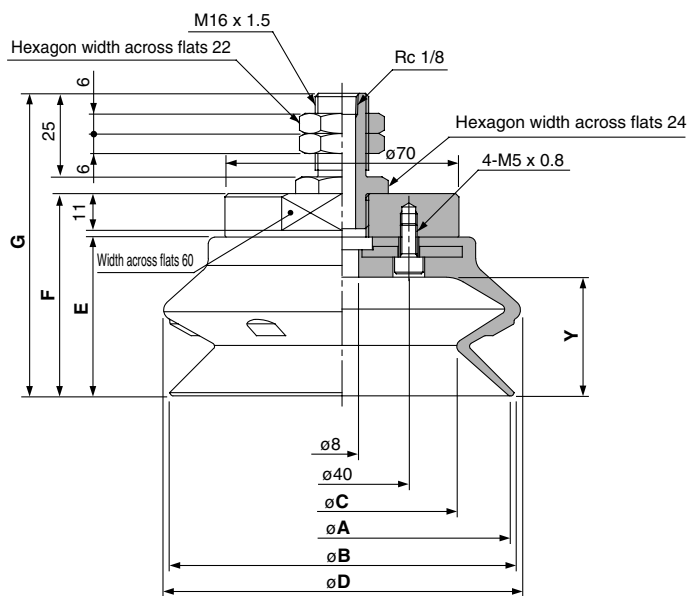
ZCU

AMJ

Misc.

# Series ZPT

## ZPT<sup>100</sup><sub>125</sub> HB□-A16 (Male thread)

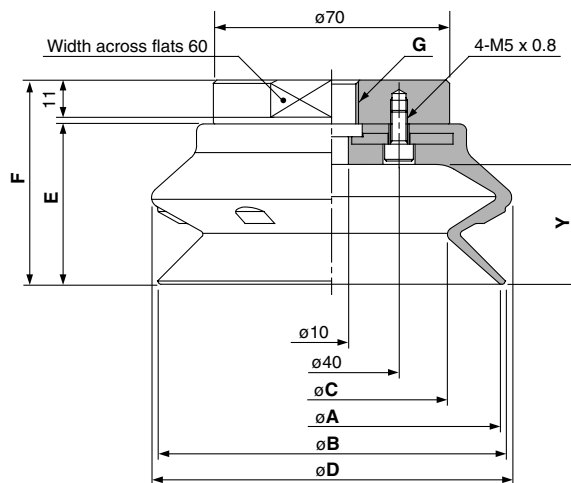


### Dimensions

(mm)

| Model         | A   | B     | C    | D   | E    | F    | G    | Y    |
|---------------|-----|-------|------|-----|------|------|------|------|
| ZPT100HB□-A16 | 100 | 103   | 68.5 | 107 | 47.5 | 60.5 | 90.5 | 35.5 |
| ZPT125HB□-A16 | 125 | 128.5 | 88.5 | 135 | 56   | 69   | 99   | 44   |

## ZPT<sup>100</sup><sub>125</sub> HB□-B□ (Female thread)



### Dimensions

(mm)

| Model         | A   | B     | C    | D     | E    | F    | G          | Y    |
|---------------|-----|-------|------|-------|------|------|------------|------|
| ZPT100HB□-B12 | 100 | 103.1 | 68.6 | 106.7 | 47.5 | 60.5 | M12 x 1.75 | 35.5 |
| M16 x 1.5     |     |       |      |       |      |      |            |      |
| ZPT125HB□-B12 | 125 | 128.5 | 88.6 | 135   | 56   | 69   | M12 x 1.75 | 44   |
| M16 x 1.5     |     |       |      |       |      |      |            |      |