

Vacuum Pad: Large/Heavy Duty Type Vertical Vacuum Entry With Buffer

Series ZPT



Specifications

Mounting	Vacuum entry direction	Vertical	
	Connection	Male thread	
	Thread dia.	ø40, ø50	M18 x 1.5
		ø63, ø80	M18 x 1.5
ø100, ø125		M22 x 1.5	
Vacuum entry port		Rc 1/8	

Buffer type		Rotating (J)
Buffer stroke	ø40 to ø80	25 mm, 50 mm, 75 mm
	ø100, ø125	25 mm, 50 mm, 75 mm, 100 mm

Pad Type

Pad diameter (mm)	ø40, ø50, ø63, ø80, ø100, ø125
Material (Color)	NBR (Black), Silicon rubber (White), Urethane rubber (Brown), Fluoro rubber (Black with mark F), EPR (Black with mark E)
Durometer	NBR/Silicone rubber/EPR (50°), Urethane/Fluoro rubber (60°)

Weight

Pad dia.	Silicon rubber	Urethane rubber	Fluoro rubber	EPR
ø40	-1	0	5	-1
ø50	-1	0	8	0
ø63	-2	0	16	0
ø80	-3	1	27	-1
ø100	-5	1	53	-1
ø125	-8	3	84	0

Weight (NBR)

Model	Weight (g)	Model	Weight (g)
ZPT40HNJ25-B01-A18	125	ZPT80HNJ50-B01-A18	251
ZPT40HNJ50-B01-A18	145	ZPT80HNJ75-B01-A18	272
ZPT40HNJ75-B01-A18	166	ZPT100HNJ25-B01-A22	489
ZPT50HNJ25-B01-A18	137	ZPT100HNJ50-B01-A22	529
ZPT50HNJ50-B01-A18	157	ZPT100HNJ75-B01-A22	574
ZPT50HNJ75-B01-A18	195	ZPT100HNJ100-B01-A22	613
ZPT63HNJ25-B01-A18	202	ZPT125HNJ25-B01-A22	553
ZPT63HNJ50-B01-A18	222	ZPT125HNJ50-B01-A22	593
ZPT63HNJ75-B01-A18	243	ZPT125HNJ75-B01-A22	638
ZPT80HNJ25-B01-A18	214	ZPT125HNJ100-B01-A22	677

Add or deduct the weight shown in the table on the left for order materials.

How to Order

ZPT 40 H N J 25 — B01 — A18

Pad diameter (mm)

40	ø40
50	ø50
63	ø63
80	ø80
100	ø100
125	ø125

Mounting thread

A18	M18 x 1.5 (ø40 to ø80)
A22	M22 x 1.5 (ø100, ø125)

Vacuum entry

B01	Rc 1/8
-----	--------

Pad type

H	Heavy duty
---	------------

Material

N	NBR
S	Silicon rubber
U	Urethane rubber
F	Fluoro rubber
E	EPR

Buffer stroke (Rotating)

Stroke	ø40	ø50	ø63	ø80	ø100	ø125
25	●	●	●	●	●	●
50	●	●	●	●	●	●
75	●	●	●	●	●	●
100	—	—	—	—	●	●

Spring Force

Pad diameter	ø40 to ø80	ø100, ø125
First mounting load	6.9 N	10 N
Second mounting load	11.8 N	15 N

ZX

ZR

ZM

ZH

ZU

ZL

ZY

ZQ

ZF

ZP

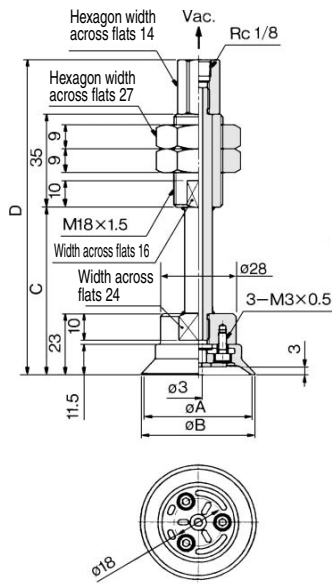
ZCU

AMJ

Misc.

Series ZPT

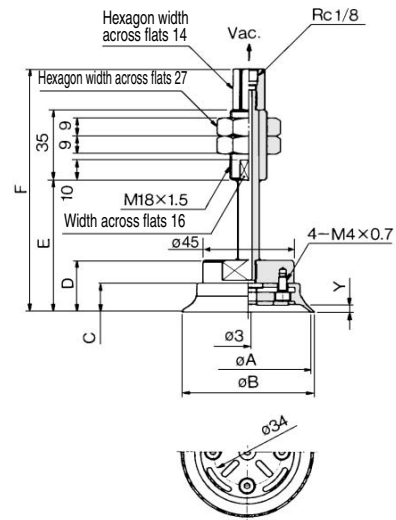
ZPT ⁴⁰/₅₀ H□J□-B01-A18 (With buffer)



(mm)

Model	øA	øB	C	D
ZPT40H□J25-B01-A18	40	42	63	118.5
ZPT40H□J50-B01-A18	40	42	98	153.5
ZPT40H□J75-B01-A18	40	42	134	189.5
ZPT50H□J25-B01-A18	50	52	63	118.5
ZPT50H□J50-B01-A18	50	52	98	153.5
ZPT50H□J75-B01-A18	50	52	134	189.5

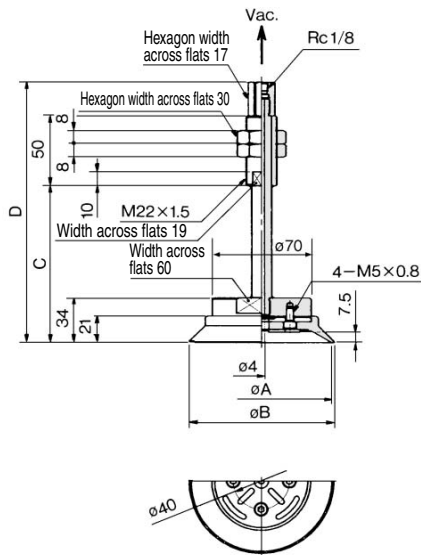
ZPT ⁶³/₈₀ H□J□-B01-A18 (With buffer)



(mm)

Model	øA	øB	C	D	E	F	Y
ZPT63H□J25-B01-A18	63	65	14.5	26	66	121.5	3.5
ZPT63H□J50-B01-A18	63	65	14.5	26	101	156.5	3.5
ZPT63H□J75-B01-A18	63	65	14.5	26	137	192.5	3.5
ZPT80H□J25-B01-A18	80	83	16.5	28	68	123.5	4.5
ZPT80H□J50-B01-A18	80	83	16.5	28	103	158.5	4.5
ZPT80H□J75-B01-A18	80	83	16.5	28	139	194.5	4.5

ZPT ¹⁰⁰/₁₂₅ H□J□-B01-A22 (With buffer)



(mm)

Model	øA	øB	C	D
ZPT100H□J25-B01-A22	100	103	78	152
ZPT100H□J50-B01-A22	100	103	114	188
ZPT100H□J75-B01-A22	100	103	154	228
ZPT100H□J100-B01-A22	100	103	189	263
ZPT125H□J25-B01-A22	125	128	78	152
ZPT125H□J50-B01-A22	125	128	114	188
ZPT125H□J75-B01-A22	125	128	154	228
ZPT125H□J100-B01-A22	125	128	189	263