

# Vacuum Pad: Large Size Bellows Type Vertical Vacuum Entry With Buffer

## Series ZPT



### Specifications

Mounting	Vacuum entry direction	Vertical	Buffer type		Rotating (J)
	Connection	Male thread	Buffer stroke	ø40 to ø80	25, 50, 75 mm
	Thread dia.	ø40, ø50		M18 x 1.5	ø100, ø125
		ø63, ø80	M18 x 1.5		
	ø100, ø125	M22 x 1.5	Vacuum entry port Rc 1/8		

### Pad Type

Pad diameter (mm)	ø40, ø50, ø63, ø80, ø100, ø125
Material (Color)	NBR (Black), Silicone rubber (White), Urethane rubber (Brown), Fluoro rubber (Black with mark®), EPR (Black with mark®)
Durometer	NBR/Silicone rubber/EPR (50°), Urethane/Fluoro rubber (60°)

### Weight

(g)

#### NBR

Model	Weight	Model	Weight
ZPT40HBNJ25-B01-A18	127	ZPT 80HBNJ50-B01-A18	268
50-B01-A18	147	75-B01-A18	289
75-B01-A18	168	ZPT100HBNJ25-B01-A22	535
ZPT50HBNJ25-B01-A18	143	50-B01-A22	575
50-B01-A18	163	75-B01-A22	620
75-B01-A18	201	100-B01-A22	659
ZPT63HBNJ25-B01-A18	208	ZPT125HBNJ25-B01-A22	719
50-B01-A18	228	50-B01-A22	759
75-B01-A18	249	75-B01-A22	804
ZPT80HBNJ25-B01-A18	231	100-B01-A22	843

Add NBR weight to below table for other materials.

Pad dia.	Silicon rubber	Urethane rubber	Fluoro rubber	EPR
ø40	-1	+1	+10	0
ø50	-2	+1	+19	0
ø63	-3	+2	+37	0
ø80	-6	+2	+61	0
ø100	-12	+4	+121	
ø125	-22	+7	+228	

### How to Order

ZPT 40 HB N J 25 - B01 - A18

#### Pad diameter (mm)

40	ø40
50	ø50
63	ø63
80	ø80
100	ø100
125	ø125

#### Mounting thread

A18	M18 x 1.5 (ø40 to ø80)
A22	M22 x 1.5 (ø100, ø125)

#### Vacuum entry

B01	Rc 1/8
-----	--------

#### Pad type

HB	Large bellows pad
----	-------------------

#### Material

N	NBR
S	Silicon rubber
U	Urethane rubber
F	Fluoro rubber
E	EPR

#### Applicable buffer stroke (Rotating)

Stroke	ø40	ø50	ø63	ø80	ø100	ø125
25	●	●	●	●	●	●
50	●	●	●	●	●	●
75	●	●	●	●	●	●
100	—	—	—	—	●	●

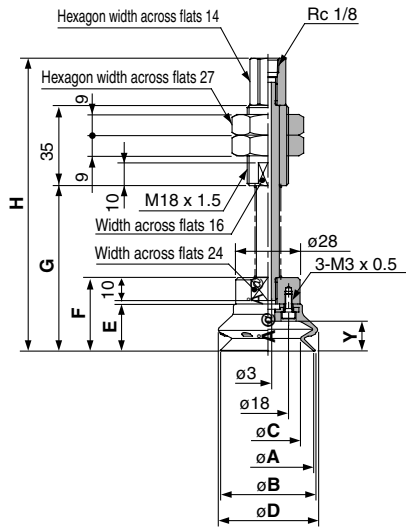
#### Spring Force

Pad dia.	First mounting load	Second mounting load
ø40 to ø80	First mounting load	6.9 N
	Second mounting load	11.8 N
ø100, ø150	First mounting load	10 N
	Second mounting load	15 N

ZX  
ZR  
ZM  
ZH  
ZU  
ZL  
ZY  
ZQ  
ZF  
ZP  
ZCU  
AMJ  
Misc.

# Series ZPT

## ZPT<sub>40</sub><sup>50</sup>HB□J□-B01-A18 (Male thread)

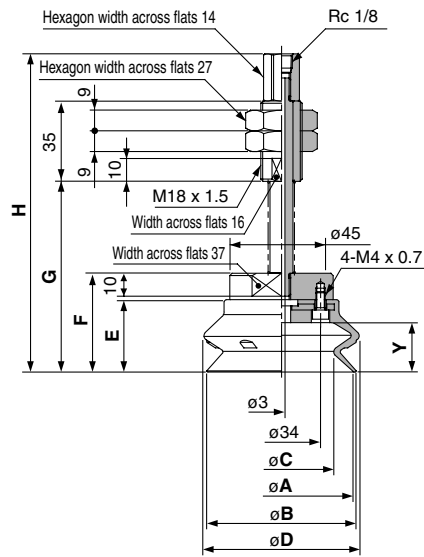


### Dimensions

(mm)

Model	A	B	C	D	E	F	G	H	Y
ZPT40HB□J25-B01-A18							72	127.5	
50-B01-A18	40	41.4	28.4	43.2	20.5	32	107	162.5	13
75-B01-A18							143	198.5	
ZPT50HB□J25-B01-A18							75.5	131	
50-B01-A18	50	51.9	35.7	54	24	35.5	110.5	166	16.5
75-B01-A18							146.5	202	

## ZPT<sub>63</sub><sup>80</sup>HB□J□-B01-A18 (Male thread)

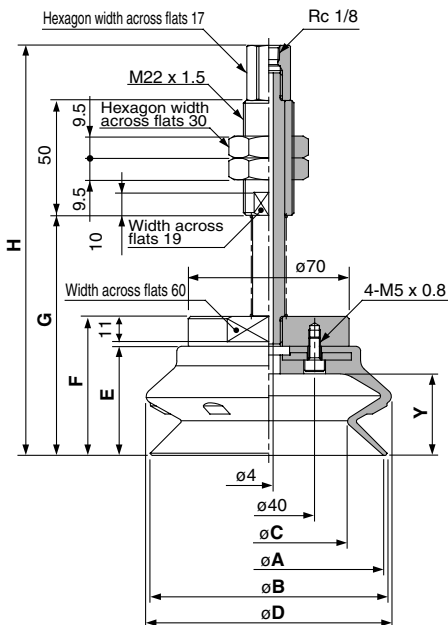


### Dimensions

(mm)

Model	A	B	C	D	E	F	G	H	Y
ZPT63HB□J25-B01-A18							83	138.5	
50-B01-A18	63	65.1	45.5	67.6	31.5	43	118	173.5	21.5
75-B01-A18							154	209	
ZPT80HB□J25-B01-A18							88.5	144	
50-B01-A18	80	83	58.5	85.1	37	48.5	123.5	179	27.5
75-B01-A18							159.5	215	

## ZPT<sub>100</sub><sup>125</sup>HB□J□-B01-A22 (Male thread)



### Dimensions

(mm)

Model	A	B	C	D	E	F	G	H	Y
ZPT100HB□J25-B01-A22							104.5	178.5	
50-B01-A22	100	103.1	68.6	106.7	47.5	60.5	140.5	214.5	35.5
75-B01-A22							180.5	254.5	
100-B01-A22							215.5	289.5	
ZPT125HB□J25-B01-A22							113	187	
50-B01-A22	125	128.5	88.6	135	56	69	149	223	44
75-B01-A22							189	263	
100-B01-A22							224	298	