

Vacuum Pad: Ball Joint Type Vertical Vacuum Entry Without Buffer/Female Thread Series ZPT



How to Order

ZPT 20 F GS B01

Pad diameter (mm)

10	ø10
13	ø13
16	ø16
20	ø20
25	ø25
32	ø32
40	ø40
50	ø50

Pad type

F	Ball joint type
---	-----------------

Vacuum entry/
Mounting thread diameter

Connection	Symbol	Thread dia.	Pad dia. (mm)		
			ø10 to ø16	ø20 to ø32	ø40, ø50
Female thread	B5	M5 x 0.8	●	●	—
	B8	M8 x 1.25	—	●	●
	B01	Rc 1/8	—	●	●

Material

N	NBR
S	Silicon rubber
U	Urethane rubber
F	Fluoro rubber
GN*	Conductive NBR
GS*	Conductive silicon rubber

*ø20 and larger are manufactured upon a receipt of order.

Note) Pads are exclusively ball joint type and are not interchangeable with other pads.

Specifications

Vacuum entry direction	Vertical	
Connection	Connection/Vacuum entry	
	Female thread	
Pad dia. (mm)	ø10 to ø16	M5 x 0.8
		M5 x 0.8
	ø20 to ø32	M8 x 1.25
		Rc 1/8
	ø40, ø50	M8 x 1.25
		Rc 1/8
Ball joint rotation	±15°	

Weight

(g)

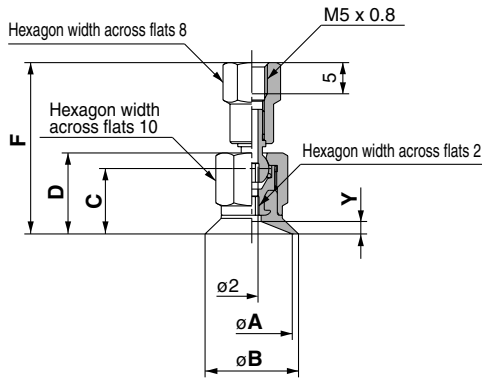
Pad dia. (mm)	Vacuum entry (Female thread)		
	M5 x 0.8	M8 x 1.25	Rc 1/8
ø10 to ø16	10	—	—
ø20 to ø32	14	17	19
ø40, ø50	—	47	46

Pad Type

Pad form	Ball joint type					
Pad diameter (mm)	ø10, ø13, ø16, ø20, ø25, ø32, ø40, ø50					
Material	NBR	Silicon rubber	Urethane rubber	Fluoro rubber	Conductive NBR	Conductive silicon rubber
Color	Black	White	Brown	Black with green mark	Black with 1 white mark	Black with 2 white mark
Durometer	50°	40°	60°	60°	50°	50°

Vacuum Pad: Ball Joint Type Vertical Vacuum Entry without Buffer/Female Thread **Series ZPT**

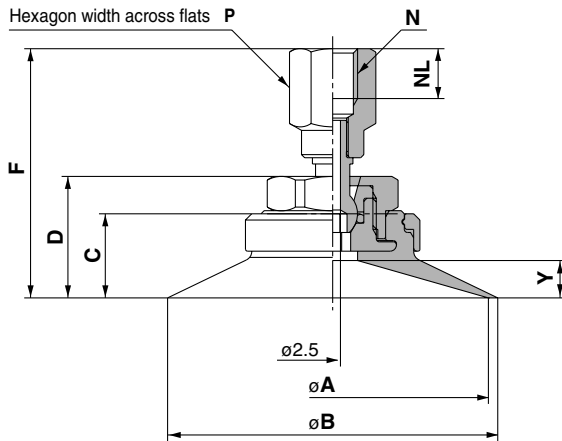
ZPT¹⁰₁₃¹⁶F□□-B5 (Without buffer/Female thread)



Dimensions (mm)

Model	A	B	C	D	F	Y
ZPT10F□□-B5	10	12	10	12.5	27	1.5
ZPT13F□□-B5	13	15	10.5	13	27.5	
ZPT16F□□-B5	16	18				

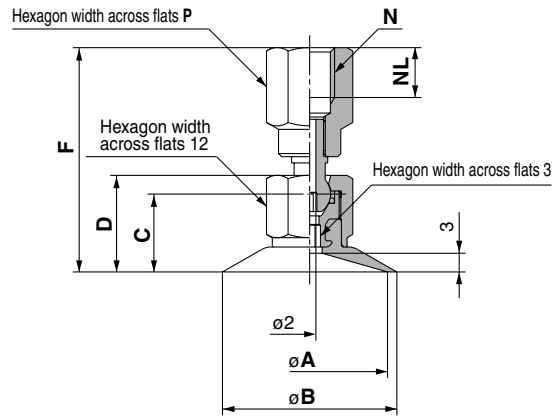
ZPT⁴⁰_{50F□□-B⁸₀₁ (Without buffer/Female thread)}



Dimensions (mm)

Model	A	B	C	D	F	N	NL	P	Y
ZPT40F□□-B8	40	43	12.5	18.5	39	M8 x 1.25	8	12	5
ZPT40F□□-B01						Rc 1/8	6.2	14	
ZPT50F□□-B8	50	53	13.5	19.5	40	M8 x 1.25	8	12	6
ZPT50F□□-B01						Rc 1/8	6.2	14	

ZPT²⁰₂₅³²F□□-B⁵₈⁰¹ (Without buffer/Female thread)



Dimensions (mm)

Model	A	B	C	D	F	N	NL	P
ZPT20F□□-B5	20	22	12.5	15.5	32	M5 x 0.8	5	9
ZPT20F□□-B8					36	M8 x 1.25	8	12
ZPT20F□□-B01					36	Rc 1/8	6.2	14
ZPT25F□□-B5	25	28	12.5	15.5	32	M5 x 0.8	5	9
ZPT25F□□-B8					36	M8 x 1.25	8	12
ZPT25F□□-B01					36	Rc 1/8	6.2	14
ZPT32F□□-B5	32	35	13	16	32.5	M5 x 0.8	5	9
ZPT32F□□-B8					36.5	M8 x 1.25	8	12
ZPT32F□□-B01					36.5	Rc 1/8	6.2	14

- ZX
- ZR
- ZM
- ZH
- ZU
- ZL
- ZY
- ZQ
- ZF
- ZP
- ZCU
- AMJ
- Misc.