

Vacuum Pad: Ball Joint Type Vertical Vacuum Entry Without Buffer/Male Thread Series ZPT



How to Order

ZPT **25** F **GN** — **B5** — **A8**

Pad diameter (mm)

10	ø10
13	ø13
16	ø16
20	ø20
25	ø25
32	ø32
40	ø40
50	ø50

Pad type

F	Ball joint type
---	-----------------

Mounting thread diameter/
Male thread

Symbol	Thread	Pad dia. (mm)
A8	M8 x 1	ø10 to ø16
A10	M10 x 1	ø20 to ø32
A14	M14 x 1	ø40, ø50

Vacuum entry port

B5	M5 x 0.8
----	----------

Material

N	NBR
S	Silicon rubber
U	Urethane rubber
F	Fluoro rubber
GN*	Conductive NBR
GS*	Conductive silicon rubber

* ø20 and larger are manufactured upon a receipt of order.

Note) Pads are exclusively ball joint type and are not interchangeable with other pads.

Specifications

Vacuum entry direction	Vertical		
Connection	Mounting	Vacuum entry port	
	Male thread	Female thread	
Pad diameter (mm)	ø10 to ø16	M8 x 1	M5 x 0.8
	ø20 to ø32	M10 x 1	
	ø40, ø50	M14 x 1	
Ball joint rotation	±15°		

Weight

(g)

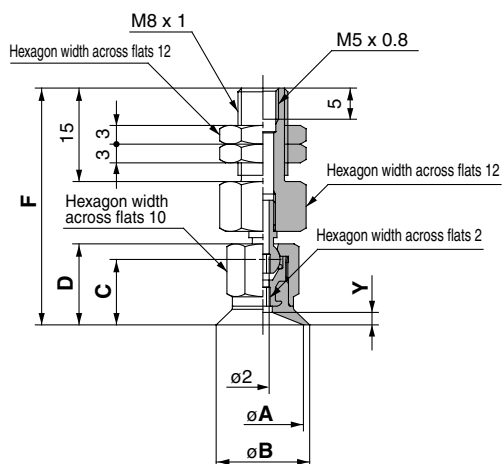
Pad dia. (mm)	Mounting (Male thread)	Vacuum entry (Female thread)
		M5 x 0.8
ø10 to ø16	M8 x 1	20
ø20 to ø32	M10 x 1	24
ø40, ø50	M14 x 1	55

Pad Type

Pad form	Ball joint type					
Pad diameter (mm)	ø10, ø13, ø16, ø20, ø25, ø32, ø40, ø50					
Material	NBR	Silicon rubber	Urethane rubber	Fluoro rubber	Conductive NBR	Conductive silicon rubber
Color	Black	White	Brown	Black with green mark	Black with 1 white mark	Black with 2 white mark
Durometer	50°	40°	60°	60°	50°	50°

Vacuum Pad: Ball Joint Type Vertical Vacuum Entry without Buffer/Male Thread **Series ZPT**

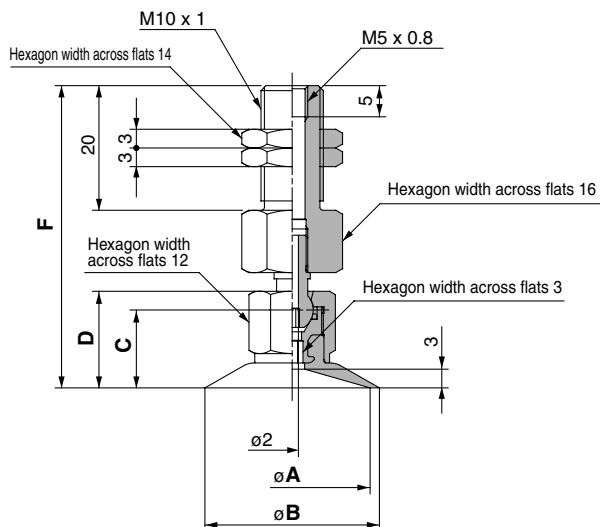
ZPT₁₀¹³₁₆F□□-B5-A8 (Without buffer/Male thread)



Dimensions (mm)

Model	A	B	C	D	F	Y
ZPT10F□□-B5-A8	10	12	10	12.5	37.5	1.5
ZPT13F□□-B5-A8	13	15	10.5	13	38	
ZPT16F□□-B5-A8	16	18		13	38	

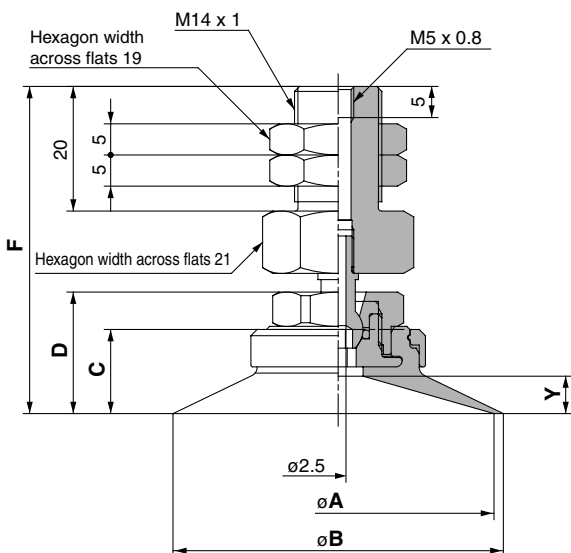
ZPT₂₀²⁵₃₂F□□-B5-A10 (Without buffer/Male thread)



Dimensions (mm)

Model	A	B	C	D	F
ZPT20F□□-B5-A10	20	22	12.5	15.5	48.5
ZPT25F□□-B5-A10	25	28			
ZPT32F□□-B5-A10	32	35			

ZPT₄₀^{50F□□-B5-A14 (Without buffer/Male thread)}



Dimensions (mm)

Model	A	B	C	D	F	Y
ZPT40F□□-B5-A14	40	43	12.5	18.5	51.5	5
ZPT50F□□-B5-A14	50	53	13.5	19.5	52.5	6

ZX

ZR

ZM

ZH

ZU

ZL

ZY

ZQ

ZF

ZP

ZCU

AMJ

Misc.