

# Vacuum Pad: Large Size Bellows Type Lateral Vacuum Entry Without Buffer

## Series ZPX



### Specifications

Mounting	Vacuum entry direction	Lateral	
	Connection	Female thread	
	Thread dia.	ø40, ø50	M8 x 1.25 M10 x 1.5
		ø63, ø80	M10 x 1.5 M12 x 1.75
ø100, ø125		M10 x 1.5 M12 x 1.75	
Vacuum entry port		Rc 1/8	

### Pad Type

Pad diameter (mm)	ø40, ø50, ø63, ø80, ø100, ø125
Material (Color)	NBR (Black), Silicone rubber (White), Urethane rubber (Brown), Fluoro rubber (Black with mark $\text{\textcircled{F}}$ ), EPR (Black with mark $\text{\textcircled{E}}$ )
Durometer	NBR/Silicone rubber/EPR (50°), Urethane/Fluoro rubber (60°)

### Weight

(g)

#### NBR

Model	Weight	Model	Weight
ZPX40HBN-B01-B8	150	ZPX 80HBN-B01-B10	275
-B10	152	-B12	271
ZPX50HBN-B01-B8	166	ZPX100HBN-B01-B10	464
-B10	164	-B12	460
ZPX63HBN-B01-B10	235	ZPX125HBN-B01-B10	648
-B12	225	-B12	644

Add NBR weight to below table for other materials.

Pad dia.	Silicon rubber	Urethane rubber	Fluoro rubber	EPR
ø40	-1	+1	+10	0
ø50	-2	+1	+19	0
ø63	-3	+2	+37	0
ø80	-6	+2	+61	0
ø100	-12	+4	+121	+1
ø125	-22	+7	+228	+3

### How to Order

**ZPX 40 HB N - B01 - B10**

Pad diameter (mm)

40	ø40
50	ø50
63	ø63
80	ø80
100	ø100
125	ø125

Pad type

HB Large bellows pad

Mounting thread

		ø40, ø50	ø63, ø80	ø100, ø125
B 8	M8 x 1.25	●	—	—
B10	M10 x 1.5	●	●	●
B12	M12 x 1.75	—	●	●

Vacuum entry

B01 Rc 1/8

Material

N	NBR
S	Silicon rubber
U	Urethane rubber
F	Fluoro rubber
E	EPR

ZX

ZR

ZM

ZH

ZU

ZL

ZY

ZQ

ZF

ZP

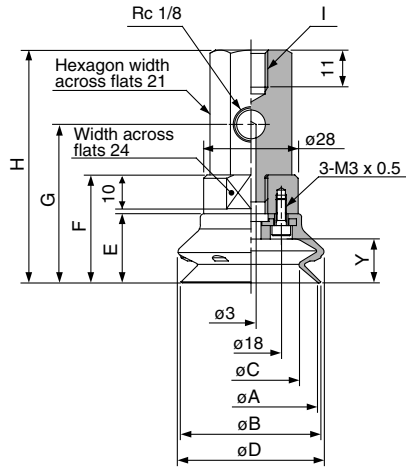
ZCU

AMJ

Misc.

# Series ZPX

## ZPX<sub>50</sub><sup>40</sup>HB□-B01-B□ (Female thread)

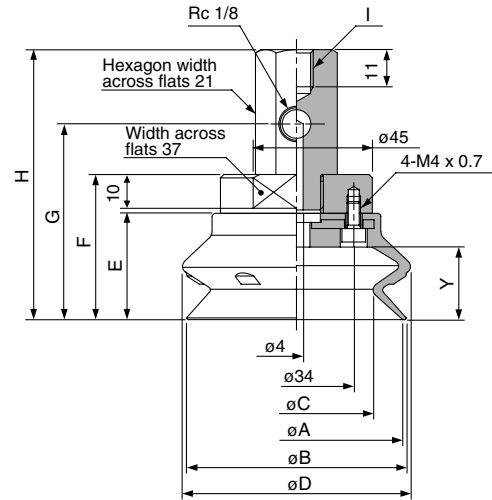


### Dimensions

(mm)

Model	A	B	C	D	E	F	G	H	I	Y
ZPX40HB□-B01-B8	40	41.4	28.4	43.2	20.5	32	47	69	M8 x 1.25	13
-B10									M10 x 1.5	
ZPX50HB□-B01-B8	50	51.9	35.7	54	24	35.5	50.5	72.5	M8 x 1.25	16.5
-B10									M10 x 1.5	

## ZPX<sub>80</sub><sup>65</sup>HB□-B01-B□ (Female thread)

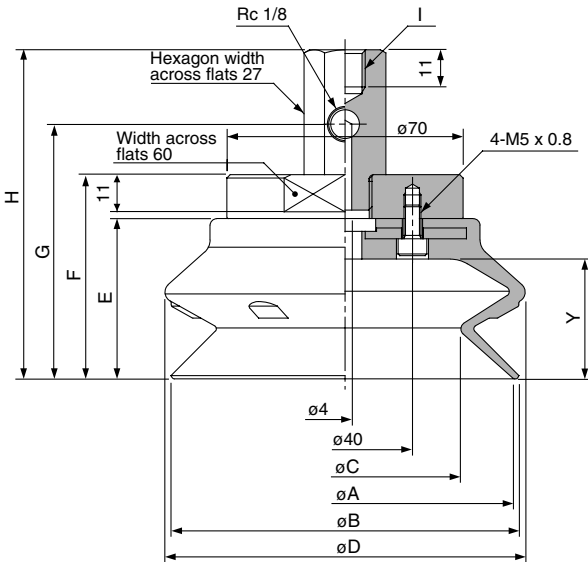


### Dimensions

(mm)

Model	A	B	C	D	E	F	G	H	I	Y
ZPX63HB□-B01-B10	63	65.1	45.5	67.6	31.5	43	58	80	M10 x 1.5	21.5
-B12									M12 x 1.75	
ZPX80HB□-B01-B10	80	83	58.4	85.1	37	48.5	63.5	85.5	M10 x 1.5	27.5
-B12									M12 x 1.75	

## ZPX<sub>125</sub><sup>100</sup>HB□-B01-B□ (Female thread)



### Dimensions

(mm)

Model	A	B	C	D	E	F	G	H	I	Y
ZPX100HB□-B01-B10	100	103.1	68.6	106.7	47.5	60.5	75.5	97.5	M10 x 1.5	35.5
-B12									M12 x 1.75	
ZPX125HB□-B01-B10	125	128.5	88.6	135	56	69	84	106	M10 x 1.5	44
-B12									M12 x 1.75	