

Vacuum Pad: Large Size Bellows Type Lateral Vacuum Entry With Buffer

Series ZPX



Specifications

Mounting	Vacuum entry direction	Lateral	Buffer type		Rotating (J)
	Connection	Male thread	Buffer stroke	ø40 to ø80	25, 50, 75 mm
	Thread dia.	ø40, ø50		M18 x 1.5	ø100, ø125
		ø63, ø80	M18 x 1.5		
	ø100, ø125	M22 x 1.5	Vacuum entry port		
		Rc 1/8			

Pad Type

Pad diameter (mm)	ø40, ø50, ø63, ø80, ø100, ø125
Material (Color)	NBR (Black), Silicone rubber (White), Urethane rubber (Brown), Fluoro rubber (Black with mark (E)), EPR (Black with mark (E))
Durometer	NBR/Silicone rubber/EPR (50°), Urethane/Fluoro rubber (60°)

Weight

(g)

NBR

Model	Weight	Model	Weight
ZPX40HBNJ25-B01-A18	268	ZPX 80HBNJ50-B01-A18	418
50-B01-A18	289	75-B01-A18	441
75-B01-A18	312	ZPX100HBNJ25-B01-A22	684
ZPX50HBNJ25-B01-A18	284	50-B01-A22	723
50-B01-A18	305	75-B01-A22	767
75-B01-A18	328	100-B01-A22	806
ZPX63HBNJ25-B01-A18	357	ZPX125HBNJ25-B01-A22	868
50-B01-A18	378	50-B01-A22	907
75-B01-A18	401	75-B01-A22	951
ZPX80HBNJ25-B01-A18	397	100-B01-A22	990

Add NBR weight to below table for other materials.

Pad dia.	Silicon rubber	Urethane rubber	Fluoro rubber	EPR
ø40	-1	+1	+10	0
ø50	-2	+1	+19	0
ø63	-3	+2	+37	0
ø80	-6	+2	+61	0
ø100	-12	+4	+121	-1
ø125	-22	+7	+228	-3

How to Order

ZPX 40 HB N J 25 - B01 - A18

Pad diameter (mm)

40	ø40
50	ø50
63	ø63
80	ø80
100	ø100
125	ø125

Mounting thread

A18	M18 x 1.5 (ø40 to ø80)
A22	M22 x 1.5 (ø100, ø125)

Vacuum entry

B01	Rc 1/8
-----	--------

Pad type

HB	Large bellows pad
----	-------------------

Material

N	NBR
S	Silicon rubber
U	Urethane rubber
F	Fluoro rubber
E	EPR

Applicable buffer stroke (Rotating)

Stroke	ø40	ø50	ø63	ø80	ø100	ø125
25	●	●	●	●	●	●
50	●	●	●	●	●	●
75	●	●	●	●	●	●
100	—	—	—	—	●	●

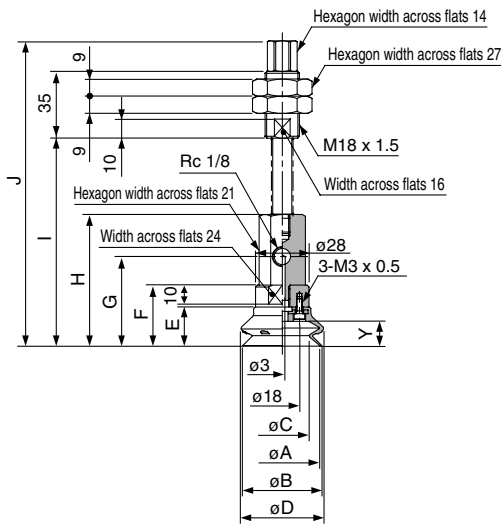
Spring Force

Pad diameter	First mounting load	Second mounting load
ø40 to ø80	6.9 N	11.8 N
ø100, ø150	10 N	15 N

ZX
ZR
ZM
ZH
ZU
ZL
ZY
ZQ
ZF
ZP
ZCU
AMJ
Misc.

Series ZPX

ZPX₅₀⁴⁰HB□J□-B01-A18 (Male thread)

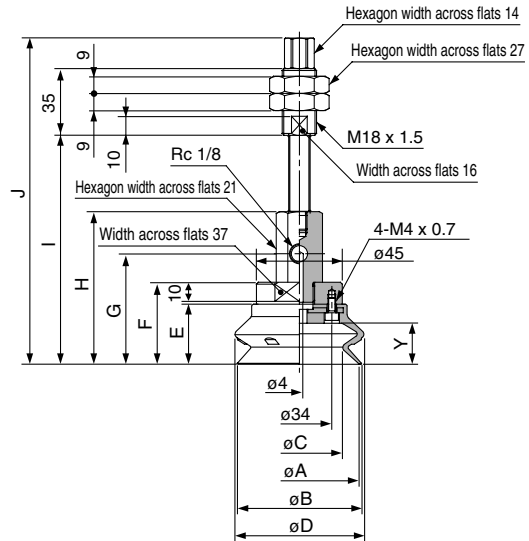


Dimensions

(mm)

Model	A	B	C	D	E	F	G	H	I	J	Y
ZPX40HB□J25-B01-A18									109	160	
50-B01-A18	40	41.4	28.4	43.2	20.5	32	47	69	144	195	13
75-B01-A18									180	231	
ZPX50HB□J25-B01-A18									112.5	163.5	
50-B01-A18	50	51.9	35.7	54	24	35.5	50.5	72.5	147.5	198.5	16.5
75-B01-A18									183.5	234.5	

ZPX₈₀⁶³HB□J□-B01-A18 (Male thread)

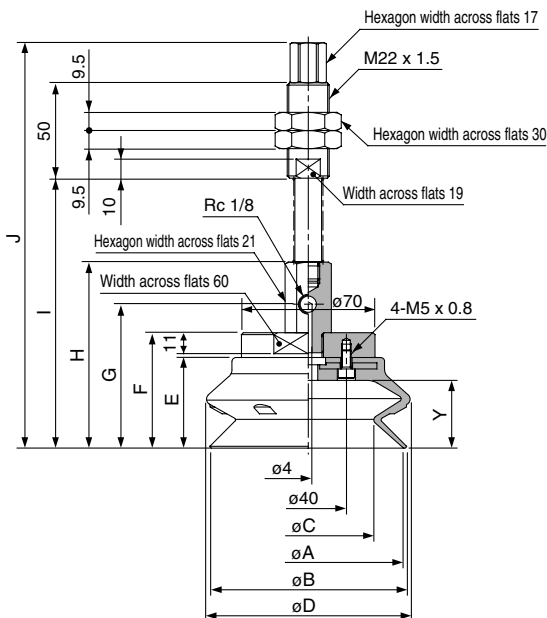


Dimensions

(mm)

Model	A	B	C	D	E	F	G	H	I	J	Y
ZPX63HB□J25-B01-A18									120	171	
50-B01-A18	63	65.1	45.5	67.6	31.5	43	58	80	155	206	21.5
75-B01-A18									191	242	
ZPX80HB□J25-B01-A18									125.5	176.5	
50-B01-A18	80	83	58.4	85.1	37	48.5	63.5	85.5	160.5	211.5	27.5
75-B01-A18									196.5	247.5	

ZPX₁₂₅¹⁰⁰HB□J□-B01-A22 (Male thread)



Dimensions

(mm)

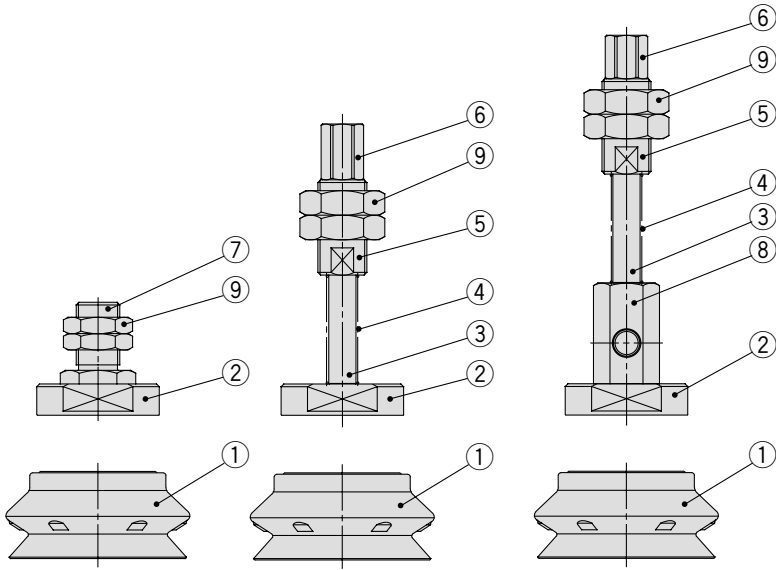
Model	A	B	C	D	E	F	G	H	I	J	Y
ZPX100HB□J25-B01-A22									141.5	212.5	
50-B01-A22	100	103.1	68.6	106.7	47.5	60.5	75.5	97.5	177.5	248.5	35.5
75-B01-A22									217.5	288.5	
100-B01-A22									252.5	323.5	
ZPX125HB□J25-B01-A22									150	221	
50-B01-A22	125	128.5	88.6	135	56	69	84	106	186	257	44
75-B01-A22									226	297	
100-B01-A22									261	332	

Vacuum Pad: Large Size Bellows Type Vertical Vacuum Entry with Buffer Series ZPT/ZPX

Construction

Series ZPT

Series ZPX



Component Parts

No.	Description	Material	Surface treatment
①	Pad	NBR, Silicone rubber, Urethane rubber, Fluoro rubber, EPR	—
②	Adapter plate	Aluminum	—
③	Piston rod	Carbon steel	Hard chrome plated
④	Spring	Stainless steel	—
⑤	Buffer body	Aluminum	—
⑥	Buffer adaptor	Brass	Electroless nickel plated
⑦	Adaptor A	Brass	Electroless nickel plated
⑧	X type adaptor	Brass	Electroless nickel plated
⑨	Mounting nut	Rolled steel	Black zinc chromated

ZX
ZR
ZM
ZH
ZU
ZL
ZY
ZQ
ZF
ZP
ZCU
AMJ
Misc.

Replacement Parts/Pad Unit

How to Order

ZP 40 HB N

Pad diameter (mm)

40	ø40
50	ø50
63	ø63
80	ø80
100	ø100
125	ø125

Material

N	NBR
S	Silicon rubber
U	Urethane rubber
F	Fluoro rubber
E	EPR

Pad type
HB Large bellows pad

Weight

NBR

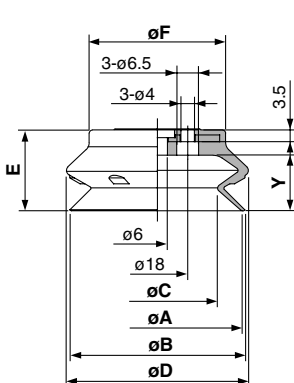
Model	Weight
ZP 40HBN	17
ZP 50HBN	33
ZP 63HBN	63
ZP 80HBN	103
ZP100HBN	206
ZP125HBN	390

Add NBR weight to below table for other materials.

Pad dia.	Silicon rubber	Urethane rubber	Fluoro rubber	EPR
ø40	-1	+1	+10	0
ø50	-2	+1	+19	0
ø63	-3	+2	+37	0
ø80	-6	+2	+61	0
ø100	-12	+4	+121	-1
ø125	-22	+7	+228	-3

Dimensions

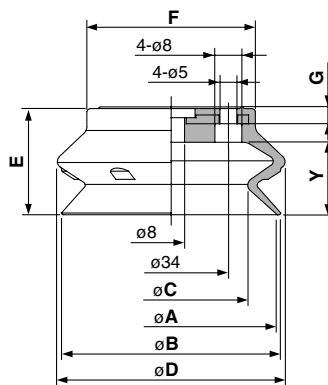
ZP₅₀⁴⁰HB□



Dimensions (mm)

Model	A	B	C	D	E	F	Y
ZP40HB□	40	41.4	28.4	43.2	20.5	30	13
ZP50HB□	50	51.9	35.7	54	24	40.5	16.5

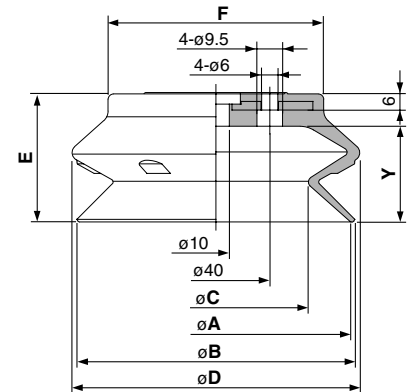
ZP₈₀⁶³HB□



Dimensions (mm)

Model	A	B	C	D	E	F	G	Y
ZP63HB□	63	65.1	45.5	67.6	31.5	50	4.5	21.5
ZP80HB□	80	83	58.4	85.1	37	64	5	27.5

ZP₁₂₅¹⁰⁰HB□



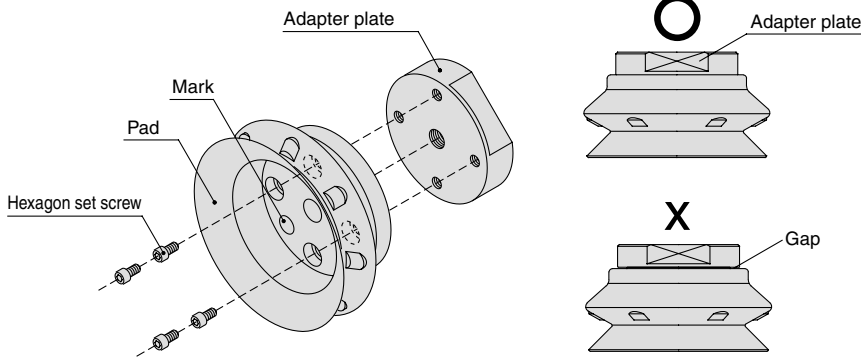
Dimensions (mm)

Model	A	B	C	D	E	F	Y
ZP100HB□	100	103.1	68.6	106.7	47.5	80	35.5
ZP125HB□	125	128.5	88.6	135	56	105	44

Series ZPT/ZPX

How to Assemble/Disassemble

Remove bolts with a hex. key wrench from the pad underside. Tighten new pad with the bolts ensuring there is no gap between the adapter plate and the pad.



How to Distinguish Different Pad Materials

Check for the indicator mark on the pad's interior surface as shown in the figure at left.

Material	Color	Mark
NBR	Black	—
Silicon rubber	White	—
Urethane rubber	Brown	—
Fluoro rubber	Black	⊕
EPR	Black	⊕

Replacement Parts/Mounting Nut

How to Order

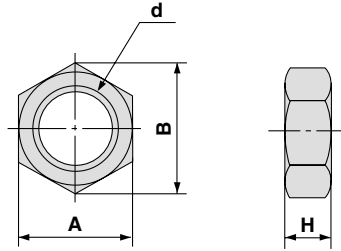
ZPNA — M16

Mounting thread

M16	M16 x 1.5
M18	M18 x 1.5
M22	M22 x 1.5

Mounting nut part number for "M14x1" is "SN-015A".

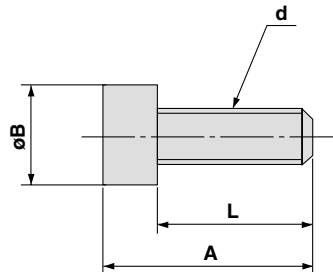
Dimensions



Model	A	B	d	H
SN-015A	19	21.9	M14 x 1	5
ZPNA-M16	22	25.4	M16 x 1.5	6
ZPNA-M18	27	31.2	M18 x 1.5	9
ZPNA-M22	30	34.6	M22 x 1.5	8

Bolts (Hexagonal Socket Head Cap Screw)

Dimensions



A	B	d	L
11	5.5	M3 x 0.5	8
12	7	M4 x 0.7	8
15	8.5	M5 x 0.8	10