

Vacuum Pad: Lateral Vacuum Entry with Barb Fitting Without Buffer

Series ZPY



Specifications

Vacuum entry	Direction		Lateral	
	Connection		Barb fitting	
Applicable tube dia.	2 x 4, 3.5 x 7, 4 x 10 Thin section series (ø10 to ø16) ø2 to ø8		ø4, ø6 Nylon tube, ø4, ø6 Urethane tube	
	ø10 to ø16		ø4, ø6 Nylon tube, ø4, ø6 Urethane tube	
	ø20 to ø32		ø4, ø6 Nylon tube, ø4, ø6 Urethane tube	
	ø40, ø50		ø6 Nylon tube, ø6 Urethane tube	
Mounting	Connection		Male thread	Female thread
	2 x 4, 3.5 x 7, 4 x 10 Thin section series (ø10 to ø16) ø2 to ø8		M5 x 0.8, M6 x 1	M4 x 0.7, M5 x 0.8
	ø10 to ø16		M5 x 0.8, M6 x 1	M5 x 0.8, M6 x 1
	ø20 to ø32		M6 x 1, M8 x 1	M5 x 0.8, M6 x 1, M8 x 1.25
ø40 to ø50		M6 x 1, M8 x 1	M6 x 1, M8 x 1.25	

Pad Type

Pad form	Flat	Flat with ribs	Deep	Bellows	Thin flat/Thin flat with ribs
Pad dia. (mm)	2, 4, 6, 8, 2 x 4, 3.5 x 7, 4 x 10, 10, 13, 16, 20, 25, 32, 40, 50	10, 13, 16, 20, 25, 32, 40, 50	10, 16, 25, 40	6, 8, 10, 13, 16, 20, 25, 32, 40, 50	10, 13, 16
Material (Color)	NBR (Black), Silicon rubber (White), Urethane rubber (Brown), Fluoro rubber (Black with green mark) Conductive NBR (Black with one white mark), Conductive silicon rubber (Black with two white marks)				
Durometer	NBR (50°), Silicon rubber (40°), Urethane rubber/Fluoro rubber (60°) Conductive NBR (50°), Conductive silicon rubber (50°)				

Weight/Male Thread (Female thread)

(g)

Model	Flat			Flat with ribs			Deep			Bellows		
	M5	M6	M8	M5	M6	M8	M5	M6	M8	M5	M6	M8
ZPY02 to 08 2004 3507 4010 10 to 16 (Thin section series)	15 (11)	15	—	—	—	—	—	—	—	15 (11) except ø2, ø4	15 (11) except ø2, ø4	—
ZPY10	—	—	—	—	—	—	31 (27)	33 (26)	—	—	—	—
ZPY13	32 (25)	33 (25)	—	32 (25)	33 (25)	—	—	—	—	—	33 (25)	33 (—)
ZPY16	—	—	—	—	—	—	32 (27)	38 (27)	—	—	—	—
ZPY20	—	—	—	—	—	—	—	—	—	—	—	—
ZPY25	— (30)	38 (30)	38 (29)	— (30)	38 (30)	38 (29)	— (30)	38 (30)	38 (28)	— (30)	38 (30)	38 (29)
ZPY32	—	—	—	—	—	—	—	—	—	—	—	—
ZPY40	—	43 (36)	47 (34)	—	42 (35)	46 (33)	—	44 (37)	48 (35)	—	43 (36)	47 (34)
ZPY50	—	44 (38)	49 (35)	—	46 (38)	50 (37)	—	—	—	—	44 (38)	49 (35)

* (): Figures for female thread connections.



P. 13-11-65 to 13-11-68

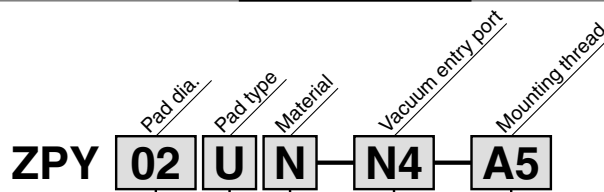
Vacuum Pad: Lateral Vacuum Entry with Barb Fitting without Buffer **Series ZPY**

Model

Model	Pad dia. (ømm)	Pad form						Vacuum entry port (Barb fitting)	Mounting	
		Flat (U)	Flat with ribs (C)	Deep (D)	Bellows (B)	Thin flat (UT)	Thin flat with ribs (CT)		Male thread	Female thread
ZPY2004	2 x 4	●	—	—	—	—	—	● ø4, ø6 tube	● M5 x 0.8 M6 x 1	● M4 x 0.7 M5 x 0.8
ZPY3507	3.5 x 7									
ZPY4010	4 x 10									
ZPY02	2									
ZPY04	4	●	—	—	—	—	—			● M5 x 0.8 M6 x 1
ZPY06	6	●	—	—	●	—	—			
ZPY08	8	●	—	—	●	—	—			● M5 x 0.8 M6 x 1
ZPY10	10	●	●	●	●	●	●			
ZPY13	13	●	●	—	●	●	●			
ZPY16	16	●	●	●	●	●	●			
ZPY20	20	●	●	—	●	—	—	● ø4, ø6 tube	● M6 x 1 M8 x 1	● M5 x 0.8 M6 x 1 M8 x 1.25
ZPY25	25	●	●	●	●	—	—			
ZPY32	32	●	●	—	●	—	—			
ZPY40	40	●	●	●	●	—	—			
ZPY50	50	●	●	—	●	—	—			
								● ø6 tube	● M6 x 1 M8 x 1	● M6 x 1 M8 x 1.25

How to Order

**Series ZPY
Without buffer**



Pad diameter (mm)

02	ø2
04	ø4
06	ø6
08	ø8
10	ø10
13	ø13
16	ø16
20	ø20
25	ø25
32	ø32
40	ø40
50	ø50



(Refer to "Table (1)" for applications.)

Pad type

U	Flat
C	Flat with ribs
D	Deep
B	Bellows

Mounting thread

(Refer to "Table (2)" for applications.)



Vacuum entry port

(Refer to "Table (2)" for applications.)



Table (2) Vacuum Entry/Mounting Thread Diameter

Connection		Symbol	Thread dia./Port size	ø2 to ø8	ø10 to ø16	ø20 to ø32	ø40, ø50
Vacuum entry	Barb fitting	N4	ø4 Nylon tube	●	●	●	—
		N6	ø6 Nylon tube	●	●	●	●
		U4	ø4 Urethane tube	●	●	●	—
		U6	ø6 Urethane tube	●	●	●	●
Mounting	Male thread	A5	M5 x 0.8	●	●	—	—
		A6	M6 x 1	●	●	●	●
		A8	M8 x 1	—	—	●	●
	Female thread	B4	M4 x 0.7	●	—	—	—
		B5	M5 x 0.8	●	●	●	—
		B6	M6 x 1	—	●	●	●
		B8	M8 x 1.25	—	—	●	●

Material

N	NBR
S	Silicon rubber
U	Urethane rubber
F	Fluoro rubber
GN*	Conductive NBR (ø2 to ø16)
GS*	Conductive silicon rubber (ø2 to ø16)

* ø20 or larger are manufactured upon a receipt of order.

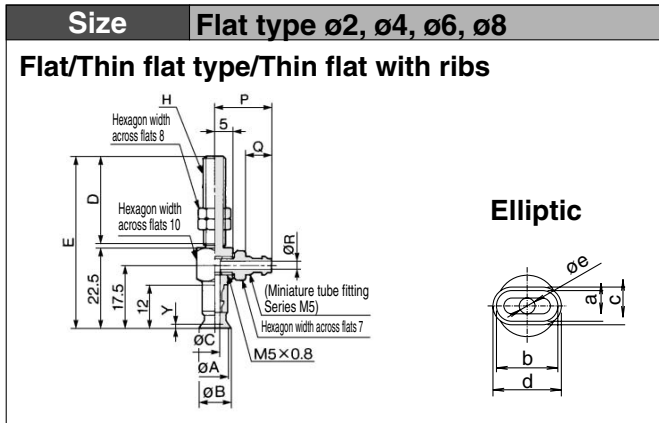
Table (1) Pad Diameter/Pad Type

Type	Dia. (mm)														
	2 x 4	3.5 x 7	4 x 10	2	4	6	8	10	13	16	20	25	32	40	50
Flat	●	●	●	●	●	●	●	●	●	●	●	●	●	●	●
Flat with ribs	—	—	—	—	—	—	—	●	●	●	●	●	●	●	●
Deep	—	—	—	—	—	—	—	●	—	●	—	●	—	●	—
Bellows	—	—	—	—	—	●	●	●	●	●	●	●	●	●	●
Thin flat	—	—	—	—	—	—	—	●	●	—	—	—	—	—	—
Thin flat with ribs	—	—	—	—	—	—	—	●	●	●	—	—	—	—	—

- ZX
- ZR
- ZM
- ZH
- ZU
- ZL
- ZY
- ZQ
- ZF
- ZP
- ZCU
- AMJ
- Misc.

Series ZPY

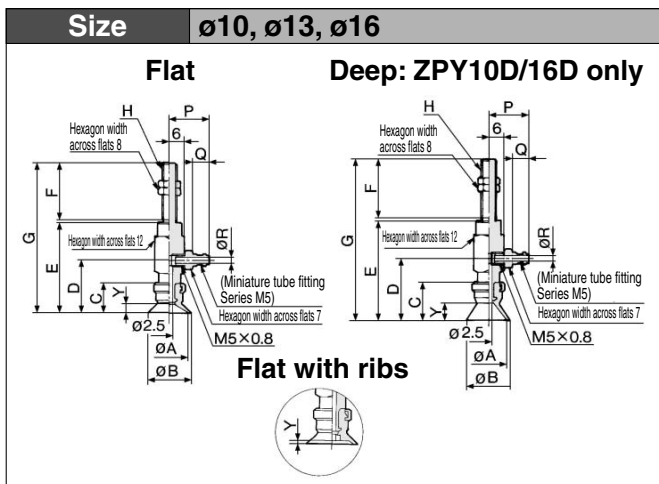
Connection	Barb Fitting	Pad Form	Flat/Flat with ribs/Deep/ Thin flat/Thin flat with ribs/Elliptic
Vacuum Entry Port	Lateral	Mounting	Male thread



Flat

Model	ϕA	ϕB	ϕC	H: M5 x 0.8		H: M6 x 1		Y	Applicable tube O.D.	P	Q	ϕR
				D	E	D	E					
ZPY02U	2	2.6	1.2	20	44	25	49.5	0.8	N4 (Nylon tube $\phi 4/2.5$)	13.5	5	1.8
ZPY04U	4	4.8	1.6									
ZPY06U	6	7	2.5									
ZPY08U	8	9	2.5									
Model	a	b	c	d	ϕe	Y						
ZPY2004U	2	4	2.6	4.6	1.2	0.3	U4 (Soft tube $\phi 4/2.5$)	13.5	5	1.8		
ZPY3507U	3.5	7	4.3	7.8	1.8	0.5	U6 (Soft tube $\phi 6/4$)	15.5	7	2.5		
ZPY4010U	4	10	5	11	2	0.8						
Model	A	B	C	Y								
ZPY10UT	10	11	2.5	1								
ZPY13UT	13	14		1.5								
ZPY16UT	16	17		0.8								
ZPY10CT	10	11		1								
ZPY13CT	13	14										
ZPY16CT	16	17										

* Dimensions of D, E are the same.



Flat/Flat with Ribs

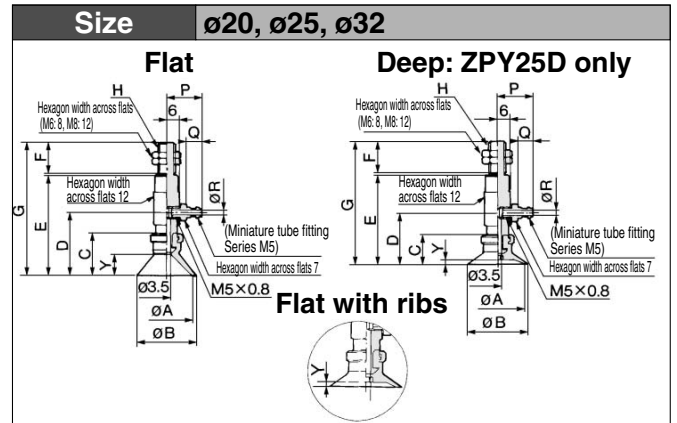
Model	ϕA	ϕB	C	D	E	H: M5 x 0.8		H: M6 x 1		Y	Applicable tube O.D.	P	Q	ϕR
						F	G	F	G					
ZPY10 _C	10	12	12	22	38	20	59	25	64	3	N4 (Nylon tube $\phi 4/2.5$)	14.5	5	1.8
ZPY13 _C	13	15												
ZPY16 _C	16	18												
ZPY16 ₆	16	18												
ZPY16 ₆	16	18	12.5	22.5	38.5	59.5	64.5	3.5	1.2					
Model	ϕA	ϕB	C	D	E	H: M5 x 0.8		H: M6 x 1		Y				
ZPY10D	10	12	15	25	41	20	62	25	67	6	U4 (Soft tube $\phi 4/2.5$)	14.5	5	1.8
ZPY16D	16	18	16	26	42	63	68	7						

Deep

Model	ϕA	ϕB	C	D	E	H: M5 x 0.8		H: M6 x 1		Y
						F	G	F	G	
ZPY10D	10	12	15	25	41	20	62	25	67	6
ZPY16D	16	18	16	26	42	63	68	7		

Applicable Tubing

Applicable tube O.D.	P	Q	ϕR
N4 (Nylon tube $\phi 4/2.5$)	14.5	5	1.8
N6 (Nylon tube $\phi 6/4$)	16.5	7	2.5
U4 (Soft tube $\phi 4/2.5$)	14.5	5	1.8
U6 (Soft tube $\phi 6/4$)	16.5	7	2.5



Flat/Flat with Ribs

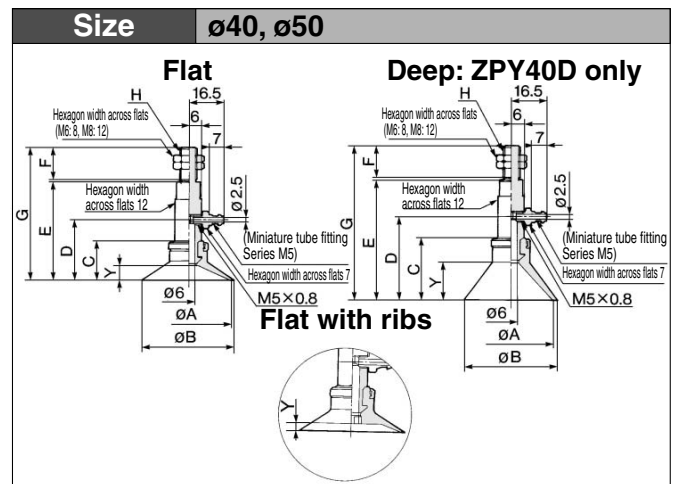
Model	ϕA	ϕB	C	D	E	H: M6 x 1		H: M8 x 1		Y	Applicable tube O.D.	P	Q	ϕR
						F	G	F	G					
ZPY20 _C	20	23	14	24	42	25	68	15	58	4	N4 (Nylon tube $\phi 4/2.5$)	14.5	5	1.8
ZPY25 _C	25	28												
ZPY32 _C	32	35												
ZPY32 _U	32	35												
ZPY25 _C	25	28	14.5	24.5	42.5	68.5	58.5	4.5	2.3					
Model	ϕA	ϕB	C	D	E	H: M6 x 1		H: M8 x 1		Y				
ZPY25D	25	28	20	30	48	25	74	15	64	10	U4 (Soft tube $\phi 4/2.5$)	14.5	5	1.8
ZPY25D	25	28	20	30	48	25	74	15	64	10	U6 (Soft tube $\phi 6/4$)	16.5	7	2.5

Deep

Model	ϕA	ϕB	C	D	E	H: M6 x 1		H: M8 x 1		Y
						F	G	F	G	
ZPY25D	25	28	20	30	48	25	74	15	64	10

Applicable Tubing

Applicable tube O.D.	P	Q	ϕR
N4 (Nylon tube $\phi 4/2.5$)	14.5	5	1.8
N6 (Nylon tube $\phi 6/4$)	16.5	7	2.5
U4 (Soft tube $\phi 4/2.5$)	14.5	5	1.8
U6 (Soft tube $\phi 6/4$)	16.5	7	2.5



Flat/Flat with Ribs

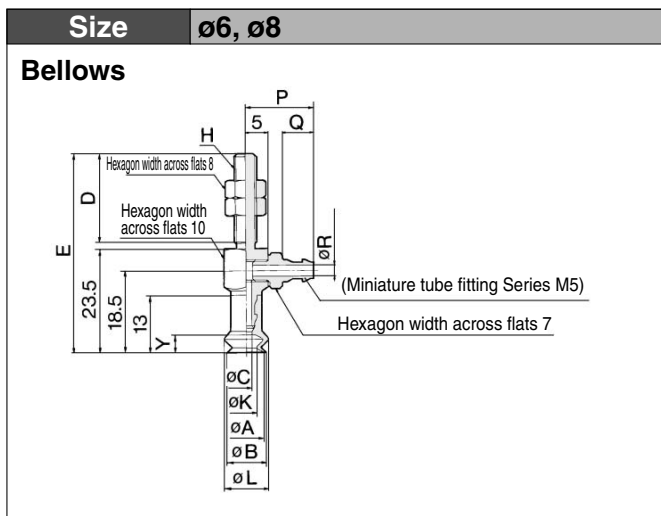
Model	ϕA	ϕB	C	D	E	H: M6 x 1		H: M8 x 1		Y	
						F	G	F	G		
ZPY40 _C	40	43	18.5	28.5	46.5	25	72.5	15	62.5	6.5	3.3
ZPY50 _C	50	53									
ZPY50 _C	50	53									
ZPY50 _C	50	53									
ZPY40 _C	40	43	18.5	28.5	46.5	72.5	62.5	6.5	3.3		
ZPY50 _C	50	53	19.5	29.5	47.5	73.5	63.5	7.5	3.8		

Deep

Model	ϕA	ϕB	C	D	E	H: M6 x 1		H: M8 x 1		Y
						F	G	F	G	
ZPY40D	40	43	29	39	57	25	83	15	73	17

Vacuum Pad: Lateral Vacuum Entry with Barb Fitting without Buffer **Series ZPY**

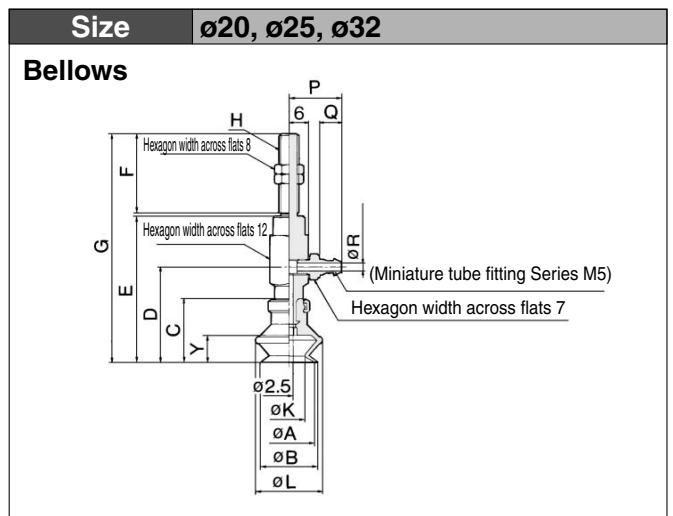
Connection	Barb Fitting	Pad Form	Bellows
Vacuum Entry Port	Lateral	Mounting	Male thread



Model	ϕA	ϕB	ϕC	H: M5 x 0.8		H: M6 x 1		ϕK	ϕL	Y
				D	E	D	E			
ZPY06B	6	7	2.5	20	45	25	50.5	3.3	9.1	4
ZPY08B	8	9						4.7	10.1	

Applicable Tubing

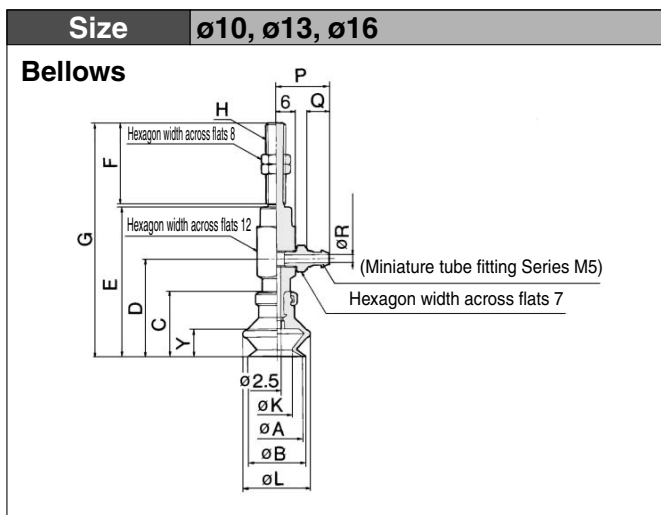
Applicable tubing	P	Q	ϕR
N4 (Nylon tube, $\phi 4/2.5$)	13.5	5	1.8
N6 (Nylon tube, $\phi 6/4$)	15.5	7	2.5
U4 (Urethane tube, $\phi 4/2.5$)	13.5	5	1.8
U6 (Urethane tube, $\phi 6/4$)	15.5	7	2.5



Model	ϕA	ϕB	C	D	E	H: M6 x 1		H: M8 x 1		ϕK	ϕL	Y
						F	G	F	G			
ZPY20B	20	22	23.5	33.5	51.5		79.5		69.5	12.4	25	10.5
ZPY25B	25	27	24	34	52	25	80	15	70	15.6	28	
ZPY32B	32	34	29	39	57		85		75	18.9	37	14

Applicable Tubing

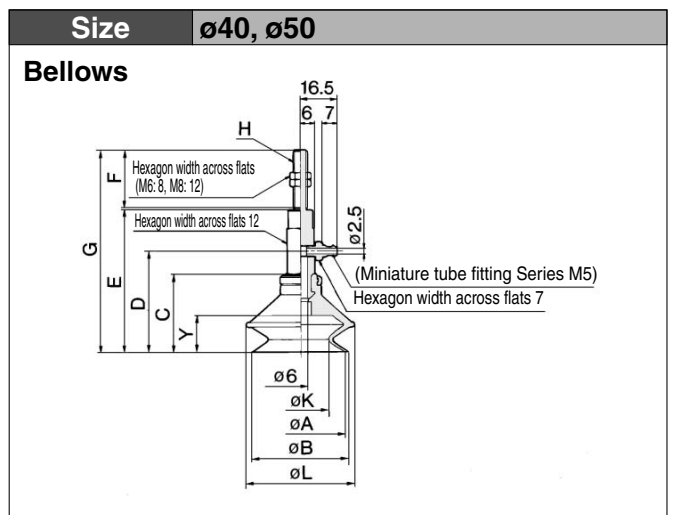
Applicable tubing	P	Q	ϕR
N4 (Nylon tube, $\phi 4/2.5$)	14.5	5	1.8
N6 (Nylon tube, $\phi 6/4$)	16.5	7	2.5
U4 (Urethane tube, $\phi 4/2.5$)	14.5	5	1.8
U6 (Urethane tube, $\phi 6/4$)	16.5	7	2.5



Model	ϕA	ϕB	C	D	E	H: M5 x 0.8		H: M6 x 1		ϕK	ϕL	Y
						F	G	F	G			
ZPY10B	10	12	16	26	42		63		68	5.5	13.8	5.5
ZPY13B	13	15	18.5	28.5	44.5	20	65.5	25	70.5	8.7	19	7.5
ZPY16B	16	18	20	30	46		67		72	9.9	21	8.5

Applicable Tubing

Applicable tubing	P	Q	ϕR
N4 (Nylon tube, $\phi 4/2.5$)	14.5	5	1.8
N6 (Nylon tube, $\phi 6/4$)	16.5	7	2.5
U4 (Urethane tube, $\phi 4/2.5$)	14.5	5	1.8
U6 (Urethane tube, $\phi 6/4$)	16.5	7	2.5

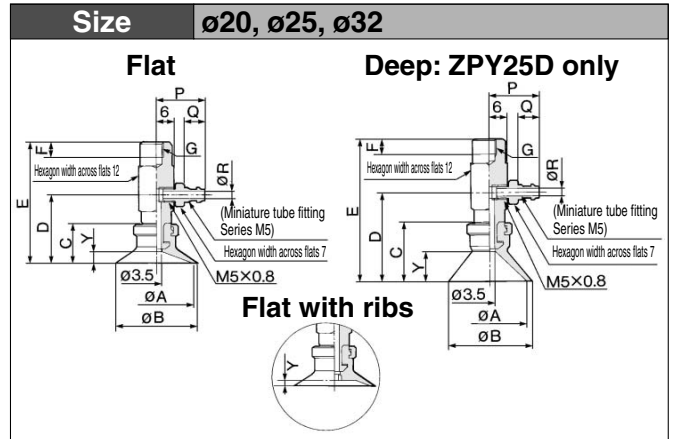
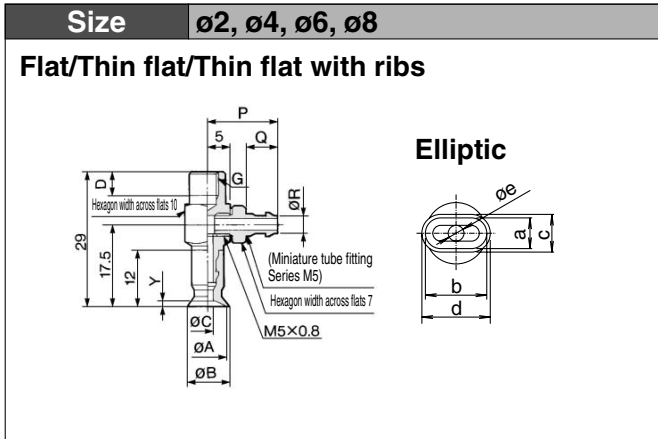


Model	ϕA	ϕB	C	D	E	H: M6 x 1		H: M8 x 1		ϕK	ϕL	Y
						F	G	F	G			
ZPY40B	40	43	34	44	62	25	88	15	78	24.4	48	16
ZPY50B	50	53	38	48	66		92		82	32.4	57	19

- ZX
- ZR
- ZM
- ZH
- ZU
- ZL
- ZY
- ZQ
- ZF
- ZP
- ZCU
- AMJ
- Misc.

Series ZPY

Connection	Barb fitting	Pad Form	Flat/Flat with ribs/Deep/Thin flat/Thin flat with ribs/Elliptic
Vacuum Entry Port	Lateral	Mounting	Female thread



Flat/Flat with Ribs

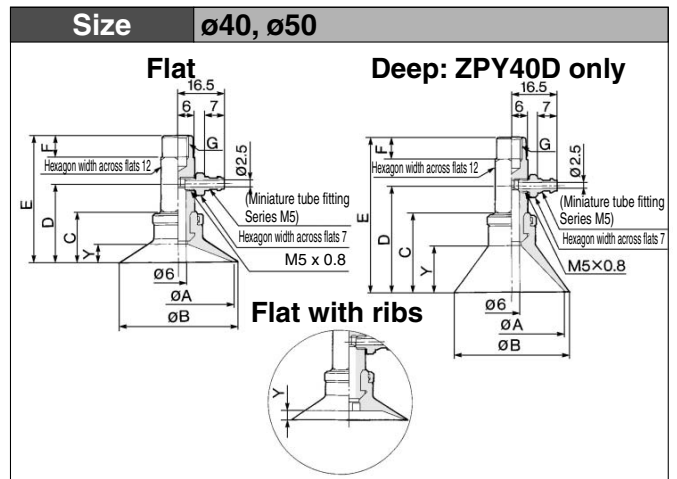
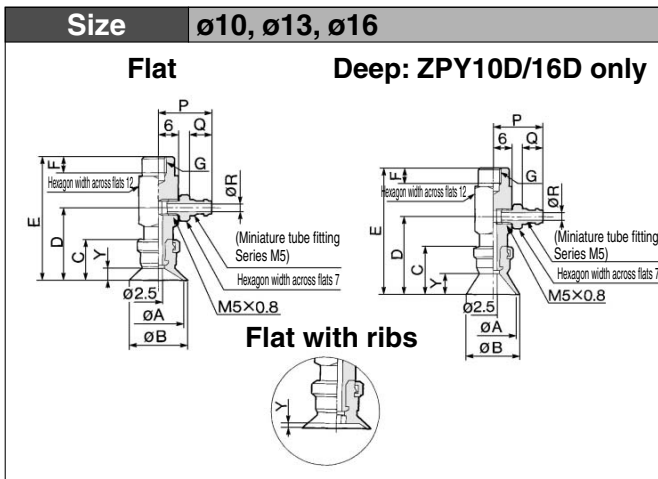
Model	ϕA	ϕB	ϕC	G: M4 x 0.7		Y	Applicable tube O. D.	P	Q	ϕR
				D	D					
ZPY02U	2	2.6	1.2	4	5	0.8	N4 (Nylon tube $\phi 4/2.5$)	13.5	5	1.8
ZPY04U	4	4.8	1.6							
ZPY06U	6	7	2.5							
ZPY08U	8	9	2.5			1	N6 (Nylon tube $\phi 6/4$)	15.5	7	2.5
ZPY2004U	2	4	2.6	4.6	1.2	0.3	U4 (Soft tube $\phi 4/2.5$)	13.5	5	1.8
ZPY3507U	3.5	7	4.3	7.8	1.8	0.5	U6 (Soft tube $\phi 6/4$)	15.5	7	2.5
ZPY4010U	4	10	5	11	2	0.8				

Flat/Flat with Ribs

Model	ϕA	ϕB	C	D	E	G: M5 x 0.8			Y	Applicable tube O. D.	P	Q	ϕR
						F	F	F					
ZPY20U	20	23	14	24	42	5	6	8	4	N4 (Nylon tube $\phi 4/2.5$)	14.5	5	1.8
ZPY25U	25	28											
ZPY32U	32	35	14.5	24.5	42.5								
ZPY25D	25	28	20	30	48	5	6	8	10	U4 (Soft tube $\phi 4/2.5$)	14.5	5	1.8
										U6 (Soft tube $\phi 6/4$)	16.5	7	2.5

Model	A	B	C	Y
ZPY10UT	10	11	2.5	1
ZPY13UT	13	14		1.5
ZPY16UT	16	17		
ZPY10CT	10	11	1	0.8
ZPY13CT	13	14		
ZPY16CT	16	17		

* Dimensions of D are the same.



Flat/Flat with Ribs

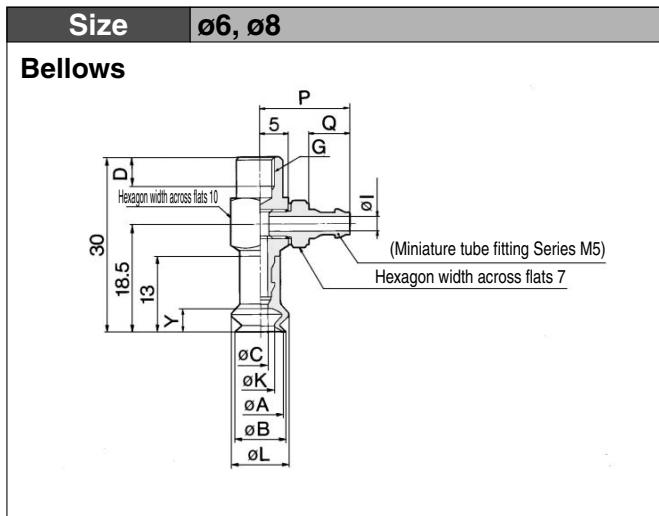
Model	ϕA	ϕB	C	D	E	G: M5 x 0.8		Y	Applicable tube O. D.	P	Q	ϕR
						F	F					
ZPY10U	10	12	12	22	38	5	6	3	N4 (Nylon tube $\phi 4/2.5$)	14.5	5	1.8
ZPY13U	13	15										
ZPY16U	16	18										
ZPY10D	10	12	15	25	41	5	6	6	U4 (Soft tube $\phi 4/2.5$)	14.5	5	1.8
ZPY16D	16	18	16	26	42			7	U6 (Soft tube $\phi 6/4$)	16.5	7	2.5

Flat/Flat with Ribs

Model	ϕA	ϕB	C	D	E	G: M6 x 1		Y	Applicable tube O. D.	P	Q	ϕR
						F	F					
ZPY40U	40	43	18.5	28.5	46.5	6	8	6.5	N4 (Nylon tube $\phi 4/2.5$)	14.5	5	1.8
ZPY50U	50	53	19.5	29.5	47.5							
ZPY40D	40	43	29	39	57							
									U6 (Soft tube $\phi 6/4$)	16.5	7	2.5

Vacuum Pad: Lateral Vacuum Entry with Barb Fitting without Buffer **Series ZPY**

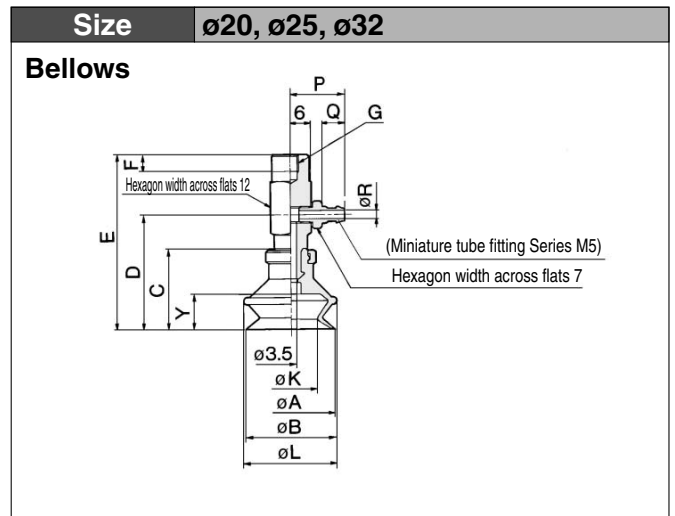
Connection	Barb fitting	Pad Form	Bellows
Vacuum Entry Port	Lateral	Mounting	Female thread



Model	øA	øB	øC	G: M4 x 0.7		G: M5 x 0.8		øK	øL	Y
				D	D	øK	øL			
ZPY06B	6	7	2.5	4	5	3.3	9.1	4		
ZPY08B	8	9	2.5	4	5	4.7	10.1	4		

Applicable Tubing

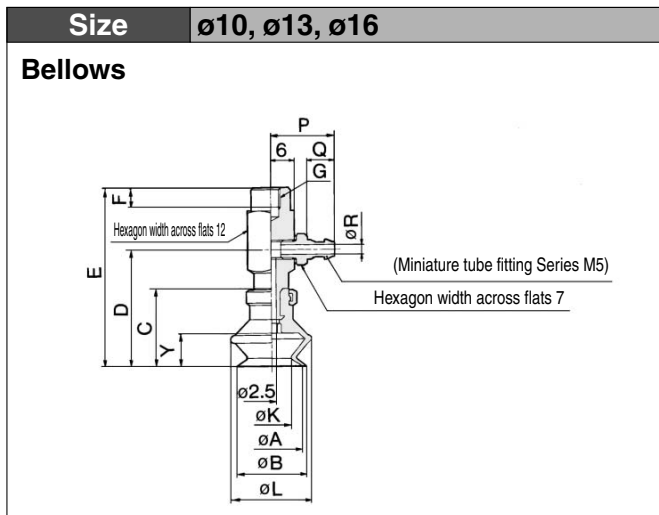
Applicable tube	P	Q	øR
N4 (Nylon tube, ø4/2.5)	13.5	5	1.8
N6 (Nylon tube, ø6/4)	15.5	7	2.5
U4 (Urethane tube, ø4/2.5)	13.5	5	1.8
U6 (Urethane tube, ø6/4)	15.5	7	2.5



Model	øA	øB	C	D	E	G: M5 x 0.8			øK	øL	Y
						F	F	F			
ZPY20B	20	22	23.5	33.5	51.5	5	6	8	12.4	25	10.5
ZPY25B	25	27	24	34	52	5	6	8	15.6	28	10.5
ZPY32B	32	34	29	39	57	5	6	8	18.9	37	14

Applicable Tubing

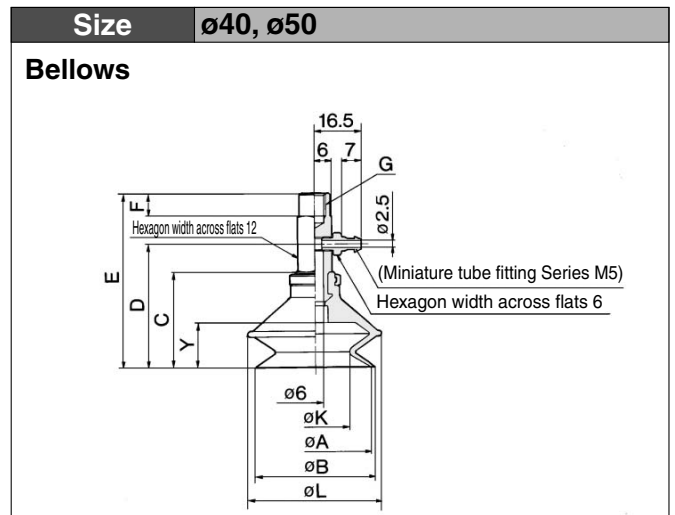
Applicable tube	P	Q	øR
N4 (Nylon tube, ø4/2.5)	14.5	5	1.8
N6 (Nylon tube, ø6/4)	16.5	7	2.5
U4 (Urethane tube, ø4/2.5)	14.5	5	1.8
U6 (Urethane tube, ø6/4)	16.5	7	2.5



Model	øA	øB	C	D	E	G: M5 x 0.8		G: M6 x 1		øK	øL	Y
						F	F	F	F			
ZPY10B	10	12	16	26	42	5	6	5.5	13.8	5.5		
ZPY13B	13	15	18.5	28.5	44.5	5	6	8.7	19	7.5		
ZPY16B	16	18	20	30	46	5	6	9.9	21	8.5		

Applicable Tubing

Applicable tube	P	Q	øR
N4 (Nylon tube, ø4/2.5)	14.5	5	1.8
N6 (Nylon tube, ø6/4)	16.5	7	2.5
U4 (Urethane tube, ø4/2.5)	14.5	5	1.8
U6 (Urethane tube, ø6/4)	16.5	7	2.5



Model	øA	øB	C	D	E	G: M6 x 1		G: M8 x 1.25		øK	øL	Y
						F	F	F	F			
ZPY40B	40	43	34	44	62	6	8	24.4	48	16		
ZPY50B	50	53	38	48	66	6	8	32.4	57	19		

- ZX
- ZR
- ZM
- ZH
- ZU
- ZL
- ZY
- ZQ
- ZF
- ZP
- ZCU
- AMJ
- Misc.