



# Vacuum Pad: Lateral Vacuum Entry with Barb Fitting With Buffer

## Series ZPY

### Specifications



Vacuum entry	Direction Connection		Lateral Barb fitting
	Applicable tubing dia.	2 x 4, 3.5 x 7, 4 x 10 ø10 to ø16 (Thin section series) ø2 to ø8	
Mounting	Thread dia.	ø10 to ø16	ø4, ø6 Nylon tube, ø4, ø6 Urethane tube
		ø20 to ø32	ø4, ø6 Nylon tube, ø4, ø6 Urethane tube
		ø40, ø50	ø6 Nylon tube, ø6 Urethane tube
		M8 x 1 Male thread	
		ø10 to ø16	M10 x 1 Male thread
		ø20 to ø32	M10 x 1 Male thread
		ø40 to ø50	M14 x 1 Male thread
Buffer type			Rotating (J)/Non-rotating (K)
Buffer stroke			For ø2 to ø8 — 6, 10, 15, 25 mm For ø10 to ø32 — 10, 20, 30, 40, 50 mm For ø40, ø50 — 10, 20, 30, 50 mm

### Pad Type

Pad form	Flat	Flat with ribs	Deep	Bellows	Thin flat/Thin flat with ribs
Pad dia. (mm)	2, 4, 6, 8, 2 x 4, 3.5 x 7, 4 x 10, 10, 13, 16, 20, 25, 32, 40, 50	10, 13, 16, 20, 25, 32, 40, 50	10, 16, 25, 40	6, 8, 10, 13, 16, 20, 25, 32, 40, 50	10, 13, 16
Material (Color)	NBR (Black), Silicon rubber (White), Urethane rubber (Brown), Fluoro rubber (Black with green mark) Conductive NBR (Black with one white mark), Conductive silicon rubber (Black with two white marks)				
Durometer	NBR (50°), Silicon rubber (40°), Urethane rubber/Fluoro rubber (60°) Conductive NBR (50°), Conductive silicon rubber (50°)				

### Spring Reactive Force (N)

Dia. (mm)	0 stroke	Stroke end
ø2 to ø8*	0.8 N	1.2 N
ø10 to ø32	1.0 N	3.0 N
ø40, ø50	2.0 N	5.0 N

\* Refer to ø2 to ø8 for Thin flat, Thin flat with ribs and Ellipse type.

### Weight (g)

Stroke (mm)	Pad form		Flat/ Flat with ribs	Deep	Bellows
	Model				
6	ZPY2004	33	—	33	
	ZPY3507				
	ZPY4010				
	ZPY02 to 08				
	ZPY10 to 16 (Thin section series)				
10	ZPY 10 to 16	45	45	46	
	ZPY 20 25	50	51	53	
10	ZPY 32	52	—	58	
	ZPY 40	115	117	127	
	ZPY 50	132	—	134	

### Weight by Stroke (g)

Model	Stroke (mm)						
	10	15	20	25	30	40	50
ZPY02 to 08	+7	+8	—	+9	—	—	—
ZPY10 to 25	—	—	+12	—	+14	+26	+28
ZPY40, 50	—	—	-5.5	—	-5.5	—	+30



P. 13-11-65 to 13-11-68

# Vacuum Pad: Lateral Vacuum Entry with Barb Fitting with Buffer **Series ZPY**

## How to Order

**Series ZPY  
With buffer**

ZPY 16 U GS K 20 U6 A10

**Pad diameter (mm)**

2004	2 x 4
3507	3.5 x 7
4010	4 x 10
02	ø2
04	ø4
06	ø6
08	ø8
10	ø10
13	ø13
16	ø16
20	ø20
25	ø25
32	ø32
40	ø40
50	ø50



(Refer to "Table (1)" for applications.)

**Pad type**

U	Flat
C	Flat with ribs
D	Deep
B	Bellows
UT	Thin flat
CT	Thin flat with ribs

**Mounting thread**



(Refer to "Table (3)" for applications.)

**Vacuum entry port**



(Refer to "Table (3)" for applications.)

**Buffer stroke**



(Refer to "Table (2)" for applications.)

**Buffer type**

J	Rotating
K	Non-rotating

**Material**

N	NBR
S	Silicon rubber
U	Urethane rubber
F	Fluoro rubber
GN*	Conductive NBR (ø2 to ø16)
GS*	Conductive silicon rubber (ø2 to ø16)

\* ø20 or large are manufactured upon receipt of order.

**Table (1) Pad Diameter/Pad Type**

Type	Dia. (mm)														
	2 x 4	3.5 x 7	4 x 10	2	4	6	8	10	13	16	20	25	32	40	50
Flat	●	●	●	●	●	●	●	●	●	●	●	●	●	●	●
Flat with ribs	—	—	—	—	—	—	—	●	●	●	●	●	●	●	●
Deep	—	—	—	—	—	—	—	●	—	●	—	●	—	●	—
Bellows	—	—	—	—	—	●	●	●	●	●	●	●	●	●	●
Thin flat	—	—	—	—	—	—	—	●	●	●	—	—	—	—	—
Thin flat with ribs	—	—	—	—	—	—	—	●	●	●	—	—	—	—	—

**Table (2) Pad Diameter/Stroke**

Stroke	Dia. (mm)																	
	2 x 4	3.5 x 7	4 x 10	2	4	6	8	Thin flat/Thin flat with ribs			10	13	16	20	25	32	40	50
								10	13	16								
6	●	●	●	●	●	●	●	●	●	●	—	—	—	—	—	—	—	—
10	●	●	●	●	●	●	●	●	●	●	●	●	●	●	●	●	●	●
15	●	●	●	●	●	●	●	●	●	●	—	—	—	—	—	—	—	—
20	—	—	—	—	—	—	—	—	—	—	●	●	●	●	●	●	●	●
25	●	●	●	●	●	●	●	●	●	●	—	—	—	—	—	—	—	—
30	—	—	—	—	—	—	—	—	—	—	●	●	●	●	●	●	●	●
40	—	—	—	—	—	—	—	—	—	—	●	●	●	●	●	●	●	●
50	—	—	—	—	—	—	—	—	—	—	●	●	●	●	●	●	●	●

**Table (3) Vacuum Entry/Mounting Thread Diameter**

	Symbol	Thread dia./ Port size	ø2 to ø8 2 x 4, 3.5 x 7 4 x 10 ø10 to ø16 (Thin section series)		
			ø10 to ø32	ø40, ø50	
Vacuum entry One-touch fitting	N4	ø4 Nylon tube	●	●	—
	N6	ø6 Nylon tube	●	●	●
	U4	ø4 Urethane tube	●	●	—
	U6	ø6 Urethane tube	●	●	●
Mounting Male thread	A8	M8 x 1	●	—	—
	A10	M10 x 1	—	●	—
	A14	M14 x 1	—	—	●

ZX

ZR

ZM

ZH

ZU

ZL

ZY

ZQ

ZF

ZP

ZCU

AMJ

Misc.



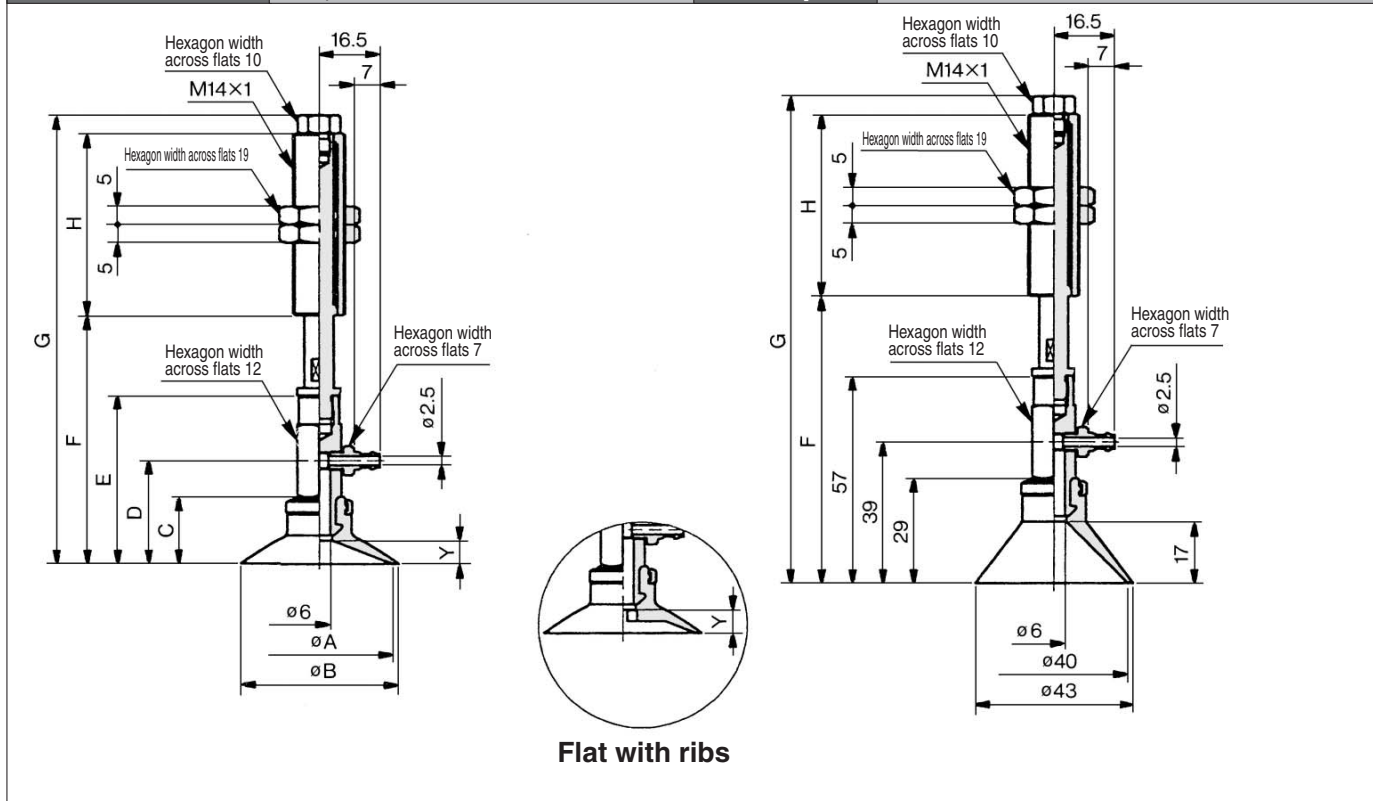




# Vacuum Pad: Lateral Vacuum Entry with Barb Fitting with Buffer **Series ZPY**

<b>Connection</b>	Barb fitting	<b>Pad Form</b>	Flat/Flat with ribs/Deep
<b>Vacuum Entry Port</b>	Lateral	<b>Mounting</b>	Male thread

<b>Flat/Flat with ribs</b> $\phi 40, \phi 50$	<b>Deep</b> $\phi 40$
---	-----------------------



- ZX
- ZR
- ZM
- ZH
- ZU
- ZL
- ZY
- ZQ
- ZF
- ZP
- ZCU
- AMJ
- Misc.

### Flat/Flat with Ribs

Model	A	B	C	D	E	Y	
						Flat	Flat with ribs
ZPY40 <sup>U</sup> <sub>C</sub> □□□□□□-□6-A14	40	43	18.5	28.5	46.5	6.5	3.3
ZPY50 <sup>U</sup> <sub>C</sub> □□□□□□-□6-A14	50	53	19.5	29.5	47.5	7.5	3.8

### Deep

Model	F	G	H
ZPY40D□□□□10-□6-A14	69	137	
ZPY40D□□□□20-□6-A14	79	134	50
ZPY40D□□□□30-□6-A14	89	144	
ZPY40D□□□□50-□6-A14	109	189	75

### Dimensions by Stroke

Model	$\phi 40$		$\phi 50$		H
	F	G	F	G	
ZPY□□ <sup>U</sup> <sub>C</sub> □□□□□□10-□6-A14	58.5	126.5	59.5	127.5	50
ZPY□□ <sup>U</sup> <sub>C</sub> □□□□□□20-□6-A14	68.5	123.5	69.5	124.5	
ZPY□□ <sup>U</sup> <sub>C</sub> □□□□□□30-□6-A14	78.5	133.5	79.5	134.5	
ZPY□□ <sup>U</sup> <sub>C</sub> □□□□□□50-□6-A14	98.5	178.5	99.5	179.5	



