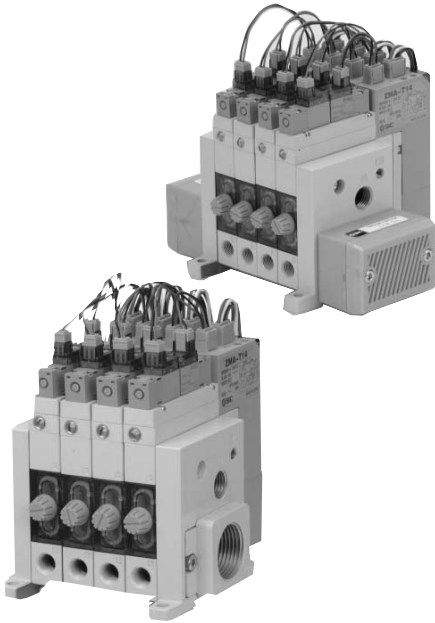


**Manifold Specifications: Series ZZMA**



**Manifold Specifications**

Manifold style	Stacking
Common SUP port*	Rc 1/4
Individual SUP port*	Rc 1/8
Common EXH port	Rc 1/2, 3/4
EXH port location	Right side/Left side/Both sides**
Max. number of stations	Max. 10 stations
Silencer	ZZM-SA (With bolts)

\* Mixed mounting of common SUP and individual SUP types possible.  
\*\* Right or left to the VAC port.

**Maximum Ejector Stations (Max. operable nos. simultaneously)**

Manifold model	Ejector model			
	ZM053 ZM054	ZM073 ZM074	ZM103 ZM104	ZM133 ZM134
ZZMA [Stations] — 06 <sup>R</sup> <sub>L</sub>	10	8	5	4
ZZMA [Stations] — 06B	10	10	8	6
ZZMA [Stations] — 04 <sup>R</sup> <sub>L</sub>	10	8	5	4
ZZMA [Stations] — 04B	10	10	8	6

\* Effective area of external silencer is 160 mm<sup>2</sup>.

- ZX
- ZR
- ZM**
- ZH
- ZU
- ZL
- ZY
- ZQ
- ZF
- ZP
- ZCU
- AMJ
- Misc.

**How to Order Ejector Manifold**

**ZZMA 06** — **06** **R**

**Number of stations**

01	1 station
⋮	⋮
10	10 stations (max.)

**Port and silencer location**

R	Right side
L	Left side
B	Both sides

Note) Right and left side are viewed from the front side of VAC port.

**Thread type**

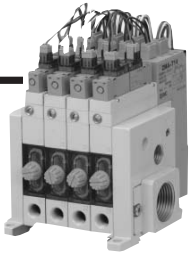
Nil	Rc
T	NPTF
F	G

**Common EXH port size**

04	1/2
06	3/4
S	Silencer dedicated for ZZMA (ZZM-SA)

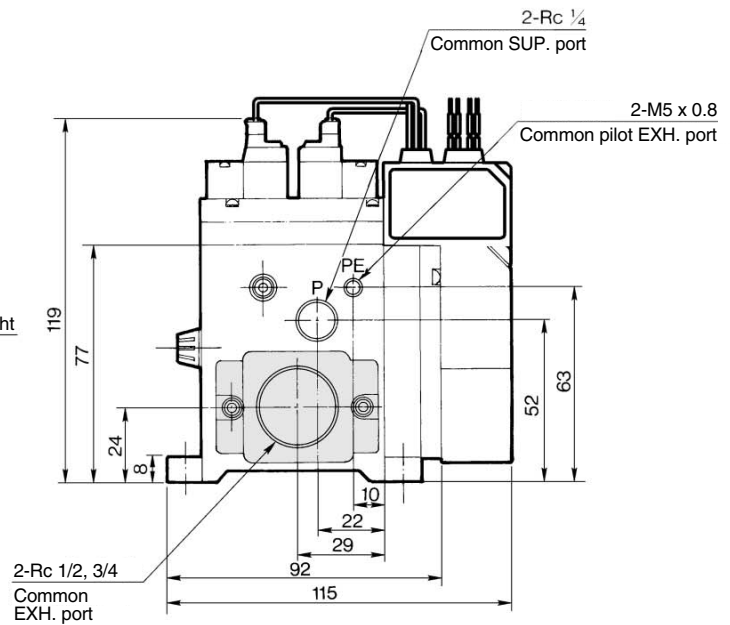
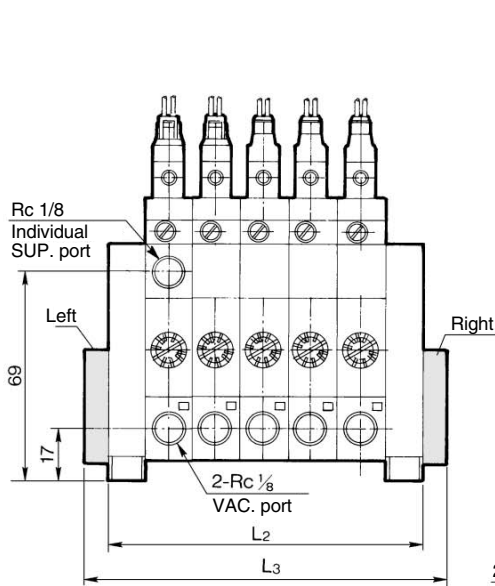
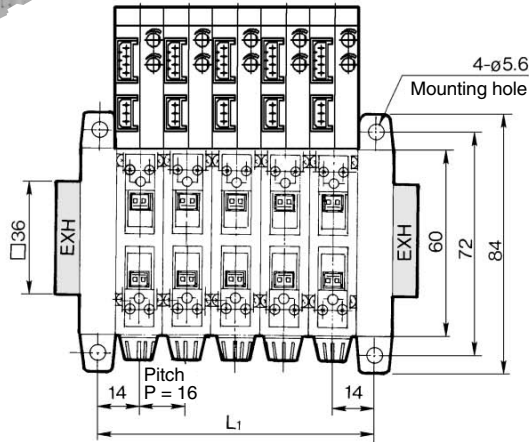
\* Indicate the ejector model no. below the manifold base no.  
Example) Manifold model no.: ZZMA04-SR (1 pc.)  
Ejector model no. : \*ZMA073H-K5-T14C (4 pcs.)

# Series ZMA



## Manifold

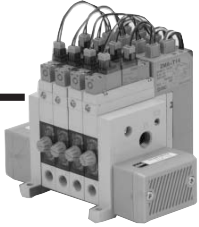
ZZMA Number of ejectors — Common EXH port Port position



(mm)

L \ Stations	1	2	3	4	5	6	7	8	9	10
L1	28 ± 1.5	44 ± 1.5	60 ± 1.5	76 ± 1.5	92 ± 1.5	108 ± 2.0	124 ± 2.0	140 ± 2.0	156 ± 2.0	172 ± 2.0
L2	40 ± 1.5	56 ± 1.5	72 ± 1.5	88 ± 1.5	104 ± 1.5	120 ± 2.0	136 ± 2.0	152 ± 2.0	168 ± 2.0	184 ± 2.0
L3	56 ± 1.5	72 ± 1.5	88 ± 1.5	104 ± 1.5	120 ± 1.5	136 ± 2.0	152 ± 2.0	168 ± 2.0	184 ± 2.0	200 ± 2.0

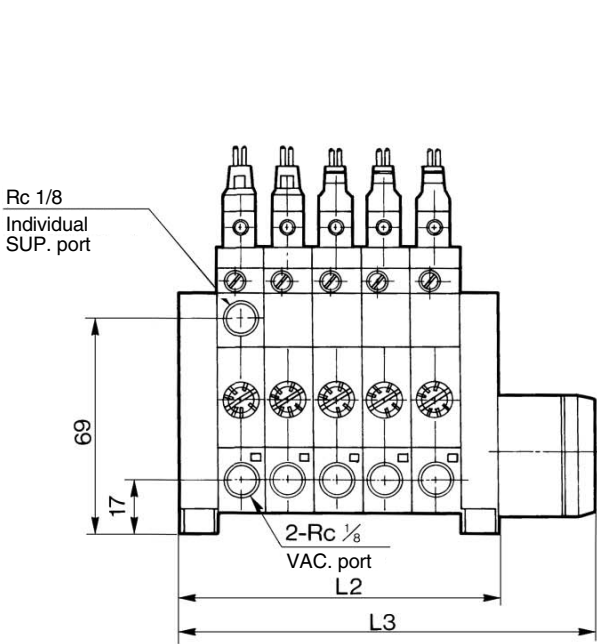
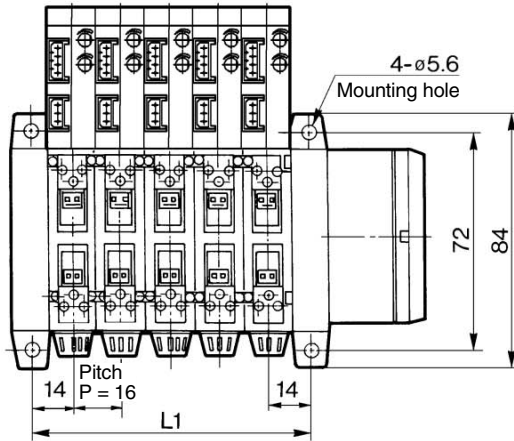
# Vacuum Ejector: With Solid State Timer **Series ZM**



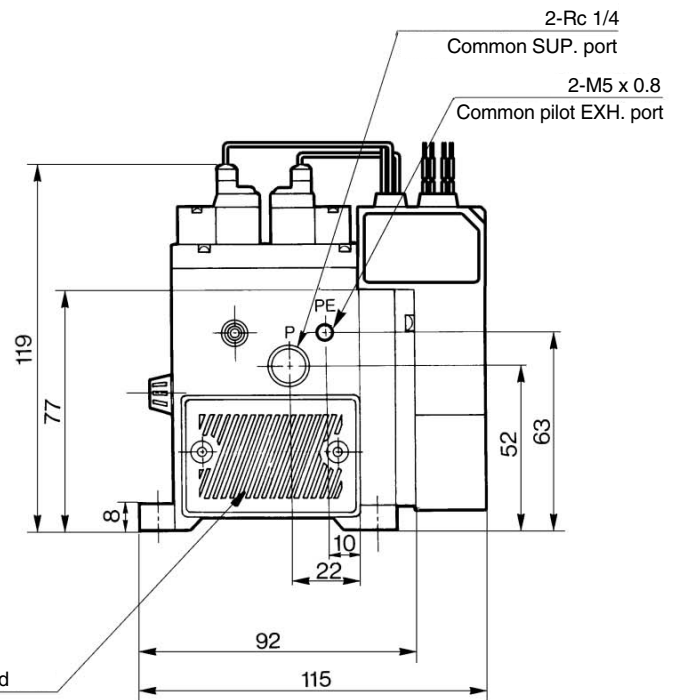
<Components>

**Manifold/With Silencer**   **Manifold with Silencer Dedicated for Manifold**

**ZZMA** Number of ejectors — **S** Position of silencer



Silencer dedicated for manifold  
(ZM-SA)



ZX

ZR

**ZM**

ZH

ZU

ZL

ZY

ZQ

ZF

ZP

ZCU

AMJ

Misc.

		(mm)									
L	Stations	1	2	3	4	5	6	7	8	9	10
	L1	28 ± 1.5	44 ± 1.5	60 ± 1.5	76 ± 1.5	92 ± 1.5	108 ± 2.0	124 ± 2.0	140 ± 2.0	156 ± 2.0	172 ± 2.0
	L2	40 ± 1.5	56 ± 1.5	72 ± 1.5	88 ± 1.5	104 ± 1.5	120 ± 2.0	136 ± 2.0	152 ± 2.0	168 ± 2.0	184 ± 2.0
	L3	72 ± 1.5	88 ± 1.5	104 ± 1.5	120 ± 1.5	136 ± 1.5	152 ± 2.0	168 ± 2.0	184 ± 2.0	200 ± 2.0	216 ± 2.0

